



US00D926927S

(12) **United States Design Patent** (10) **Patent No.:** **US D926,927 S**
Zhang (45) **Date of Patent:** **** *Aug. 3, 2021**

(54) **SHOWER HEAD**
(71) Applicant: **Xinrui Zhang**, Kaiping (CN)
(72) Inventor: **Xinrui Zhang**, Kaiping (CN)
(*) Notice: This patent is subject to a terminal disclaimer.
(**) Term: **15 Years**
(21) Appl. No.: **29/748,293**
(22) Filed: **Aug. 28, 2020**
(51) **LOC (13) Cl.** **23-01**
(52) **U.S. Cl.**
USPC **D23/213**
(58) **Field of Classification Search**
USPC D23/213, 214, 215, 223, 224, 226, 229, D23/230
CPC A61H 9/0021; A61H 33/00; B05B 1/00; B05B 1/14; B05B 1/185; B05B 1/08; B05B 1/02; B05B 1/26; B05B 12/002; B05B 1/18; B05B 9/01
See application file for complete search history.

(56) **References Cited**

U.S. PATENT DOCUMENTS

D432,211 S * 10/2000 Chan D23/229
D443,029 S 5/2001 Haug et al.
D447,218 S 8/2001 Haug et al.
D463,844 S 10/2002 Farley
D471,253 S 3/2003 Tse
D550,326 S 9/2007 Huang
D557,764 S * 12/2007 Schonherr D23/213
D604,802 S * 11/2009 Schoenherr D23/213
D634,401 S * 3/2011 Flowers D23/213
D637,266 S * 5/2011 Flowers D23/213
D652,106 S * 1/2012 Yoo D23/213
D724,180 S * 3/2015 Lin D23/213

D791,277 S * 7/2017 Eads D23/213
D908,188 S * 1/2021 Seum D23/213
D920,472 S * 5/2021 Chew D23/213
2021/0048160 A1* 2/2021 Wang F21V 33/004

OTHER PUBLICATIONS

Delta Faucet 3-Spray H2Okinetic Shower Head, Chrome 52684, Apr. 30, 2014, Amazon.com, Jun. 14, 2021, URL: <https://www.amazon.com/3-Spray-H2Okinetic-Shower-Chrome-52684/dp/B00K1PLPTE> (Year: 2014).*
Delta 52664-BL H2Okinetic 5-Setting Raincan Shower head, Matte Black, Aug. 8, 2017, Amazon.com, Jun. 14, 2021, URL: <https://www.amazon.com/52664-BL-H2Okinetic-5-Setting-Raincan-Shower/dp/B074ND4T9G> (Year: 2017).*

(Continued)

Primary Examiner — Jack Reickel
Assistant Examiner — Keith J Wilson
(74) *Attorney, Agent, or Firm* — Rumit Ranjit Kanakia

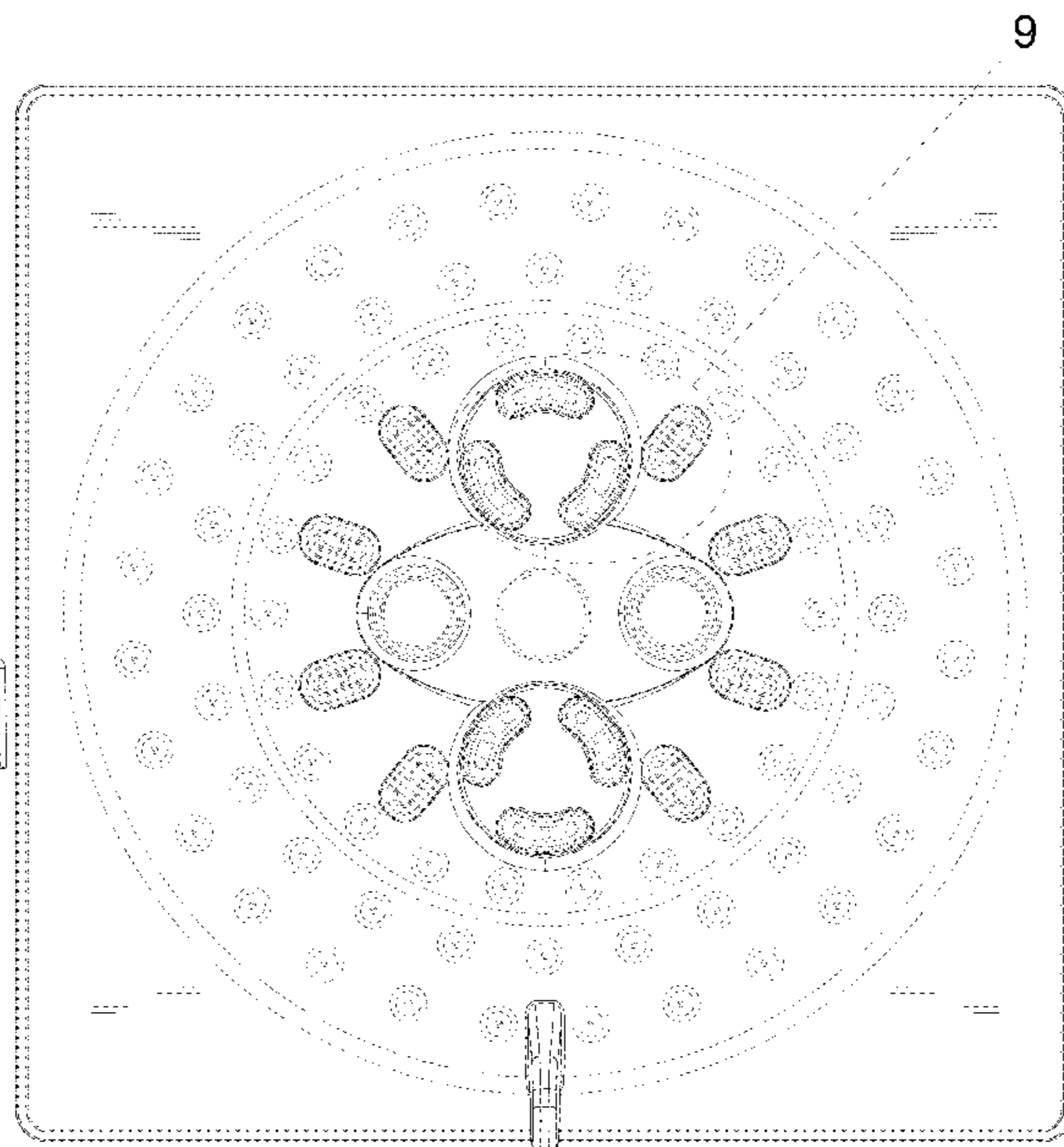
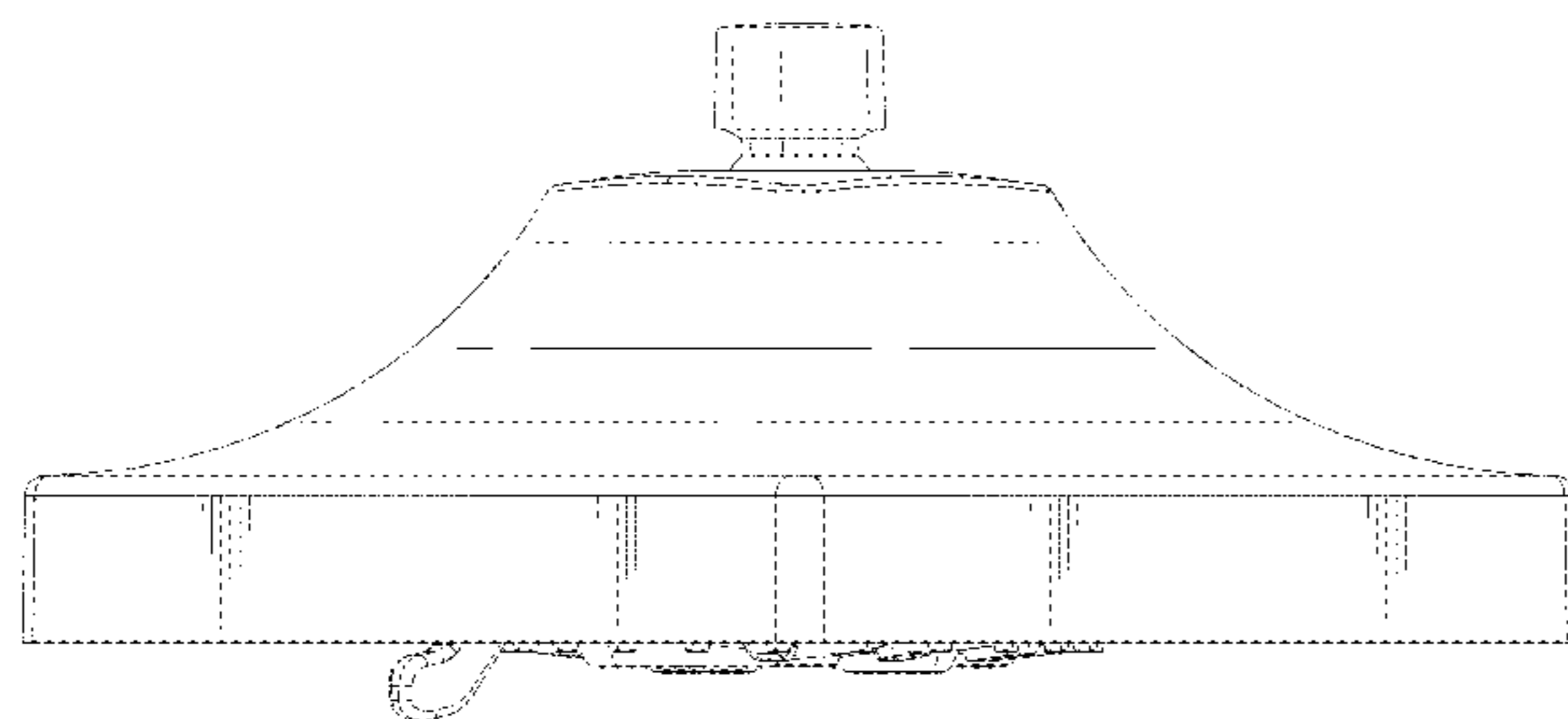
(57) **CLAIM**

I claim the ornamental design for a shower head, as shown and described.

DESCRIPTION

FIG. 1 is a Perspective view of a shower head showing my new design;
FIG. 2 is other perspective view thereof;
FIG. 3 is a Front view thereof;
FIG. 4 is a Back view thereof;
FIG. 5 is a Right-side view thereof;
FIG. 6 is a Left-side view thereof;
FIG. 7 is a Top view thereof;
FIG. 8 is a Bottom view thereof; and,
FIG. 9 is an exploded view of the portion showcased in FIG. 8.
The broken lines are for the purpose of illustrating portions of the article that form no part of the claim.

1 Claim, 9 Drawing Sheets



(56)

References Cited

OTHER PUBLICATIONS

Bathroom Shower Faucet Set, Apr. 9, 2021, Amazon.com Jun. 14, 2021, URL: <https://www.amazon.com/Bathroom-DAYONE-Fixtures-Function-DAY-150BTG/dp/B08TM1VDLQ> (Year: 2021).*

Oxygenics Marvel 9-Setting Rain Shower System (Brushed Nickel), Mar. 17, 2017, Walmart.com, Jun. 14, 2021, URL: <https://www.walmart.com/ip/Oxygenics-Marvel-9-Setting-Rain-Shower-System-Brushed-Nickel/173478959> (Year: 2017).*

Delta Faucet RP62283BL Single-Setting Raincan Shower Head, Matte Black, Nov. 7, 2018, Amazon.com, Jun. 14, 2021, URL: <https://www.amazon.com/Faucet-RP62283BL-Single-Setting-Raincan-Shower/dp/B07JY6K9F5> (Year: 2018).*

* cited by examiner

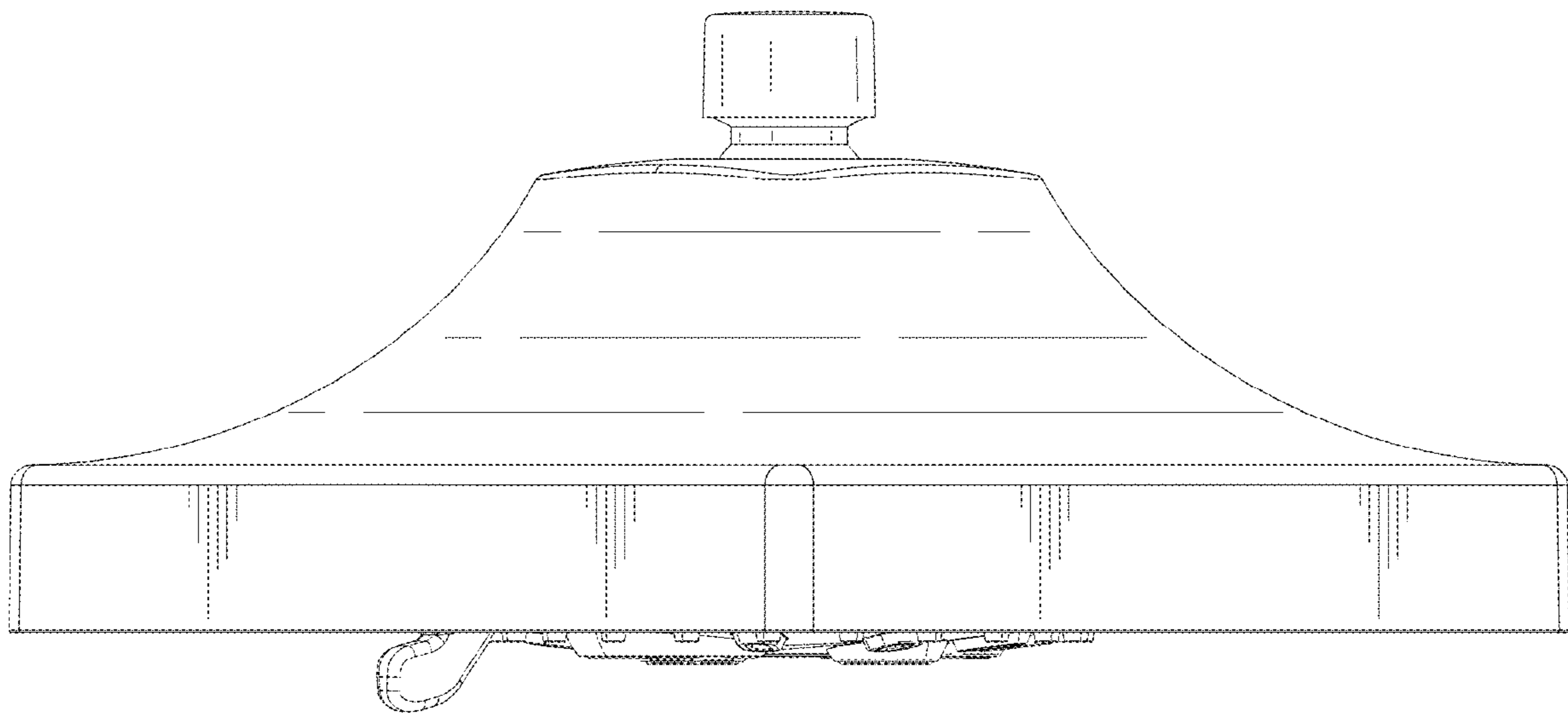


FIG. 1

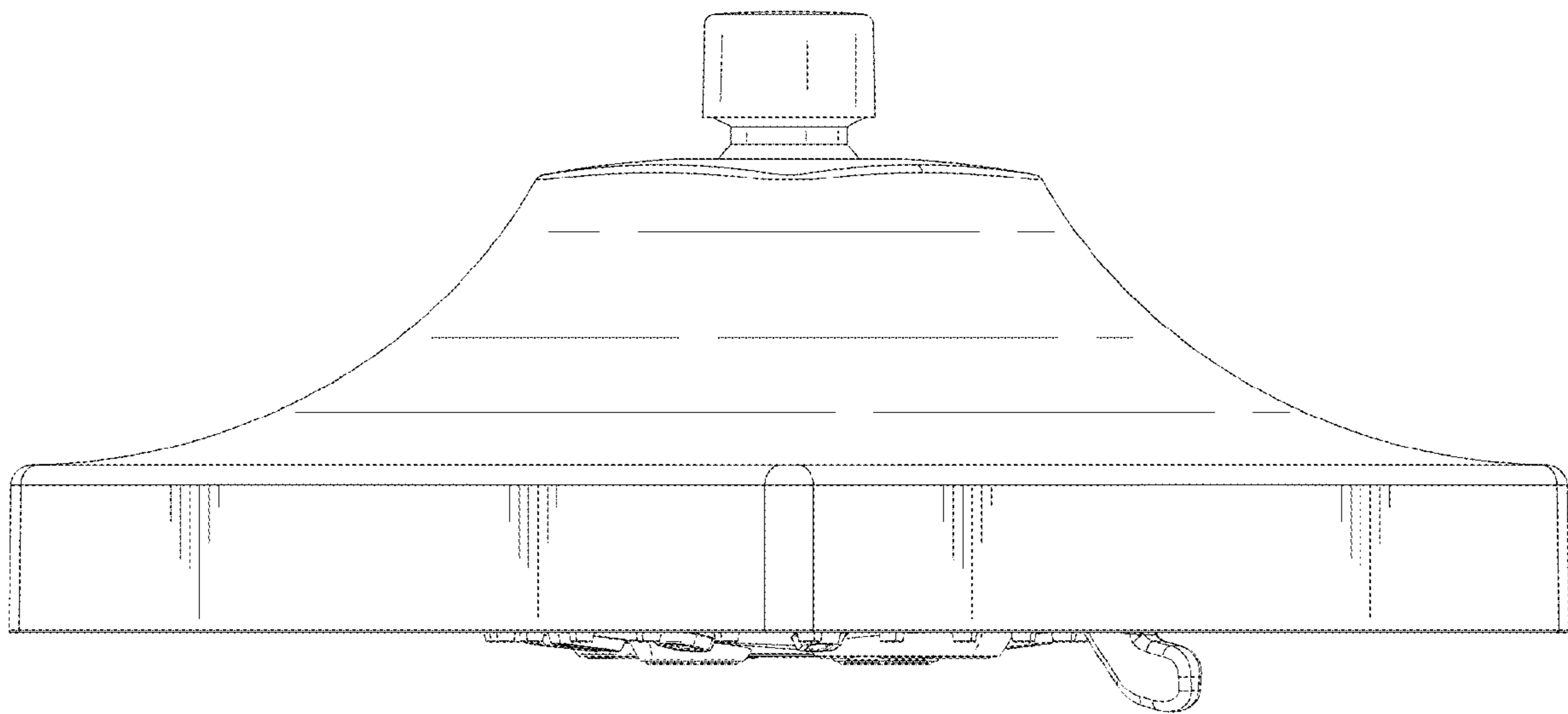


FIG. 2

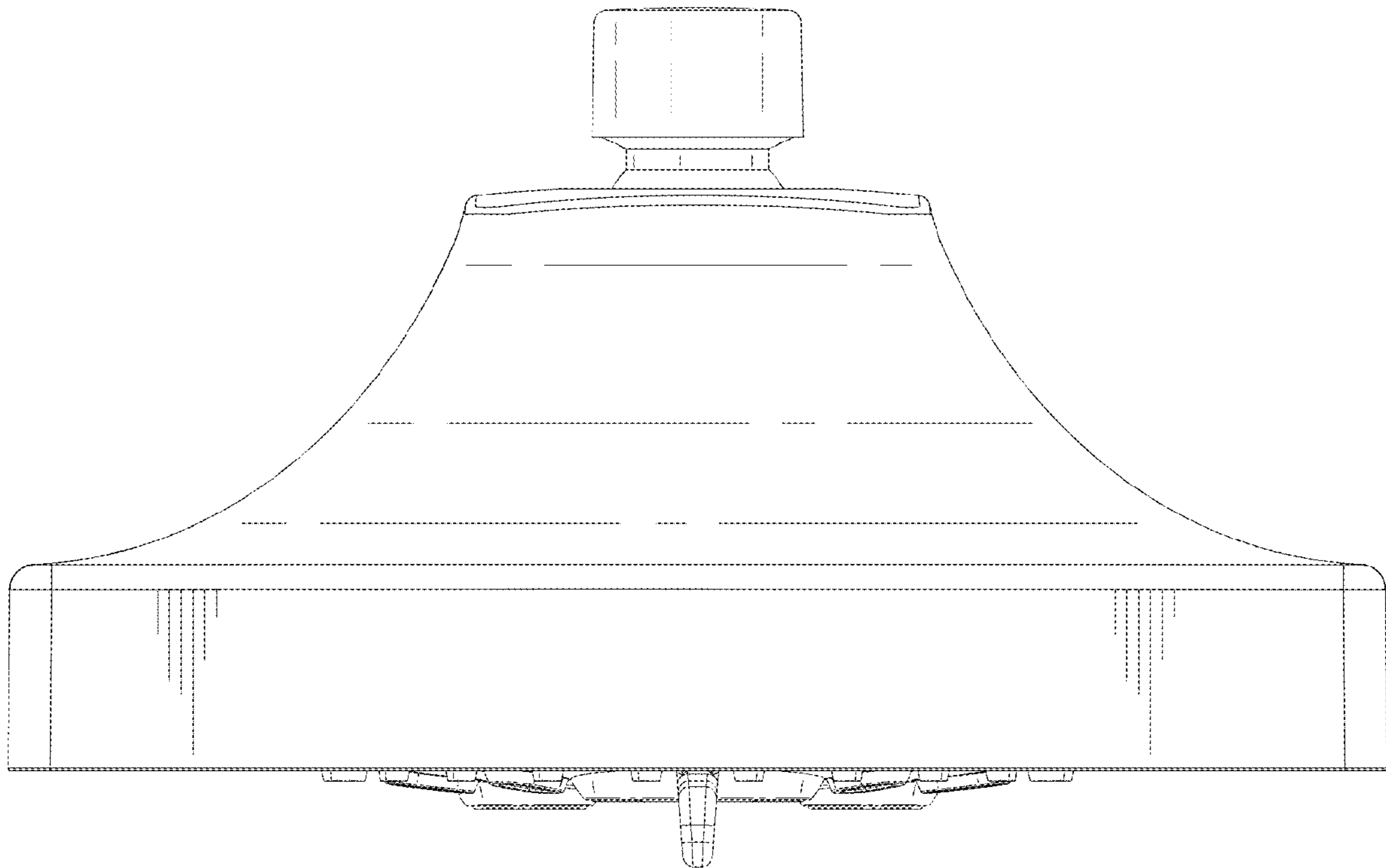


FIG. 3

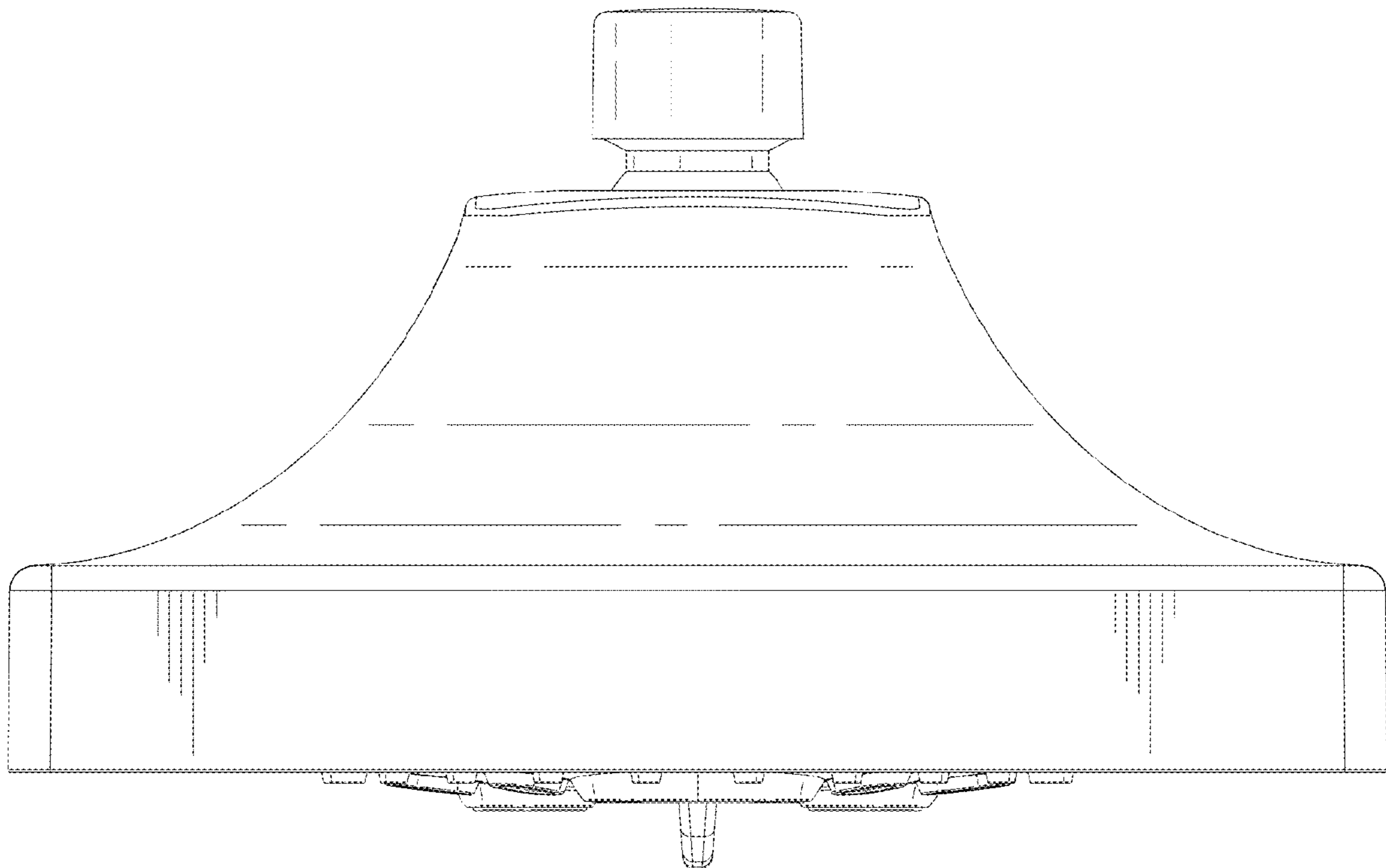


FIG. 4

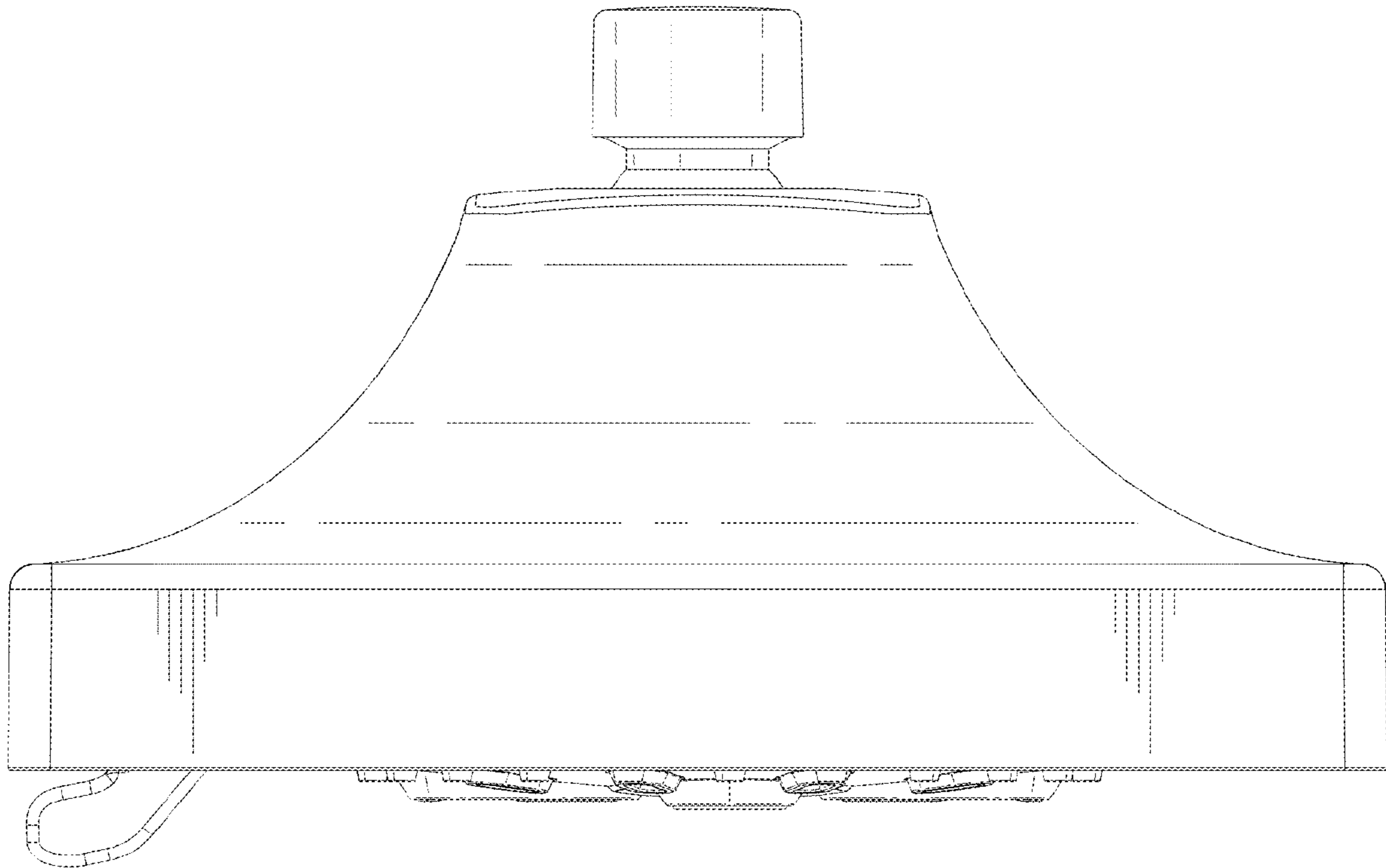


FIG. 5

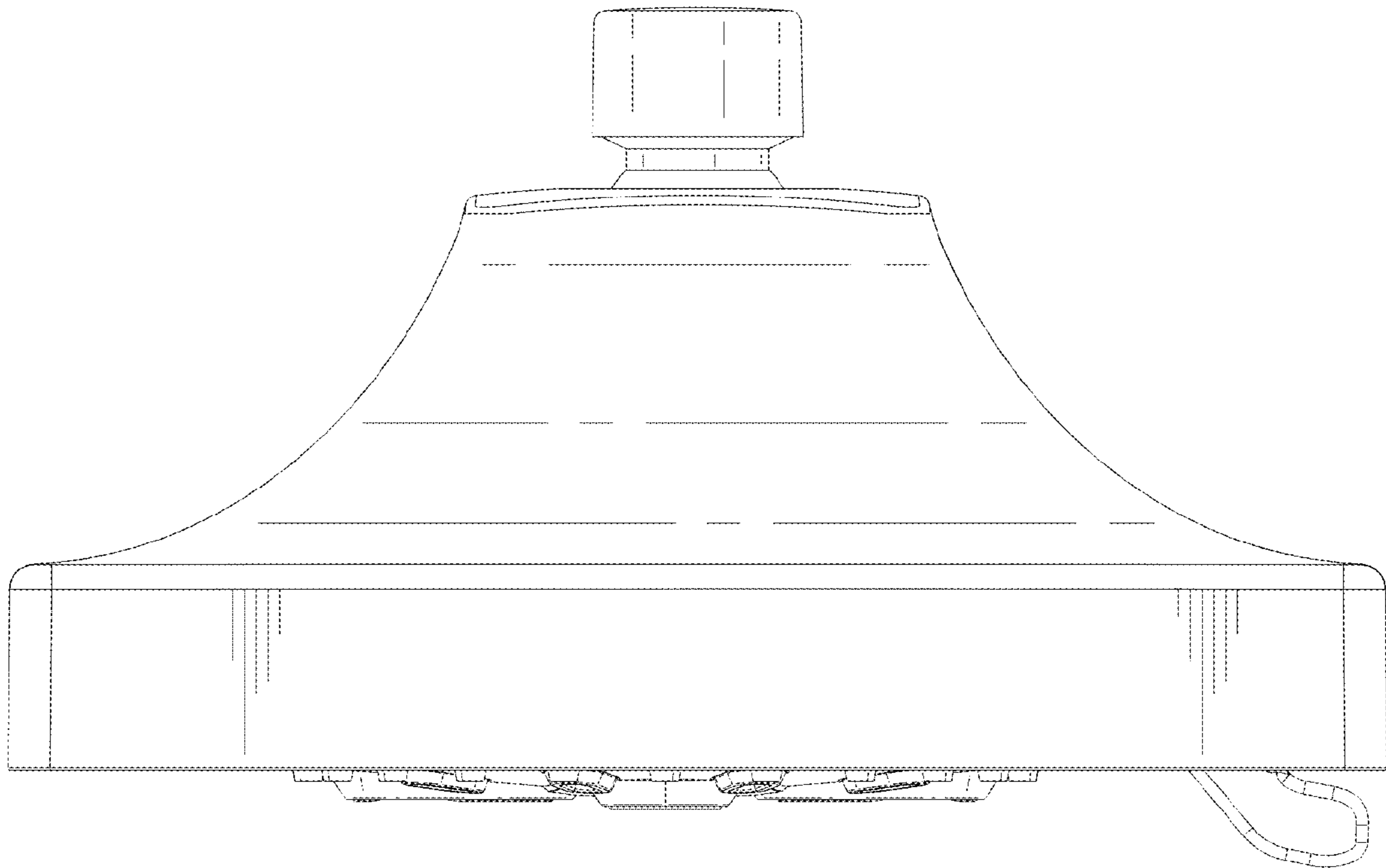


FIG. 6

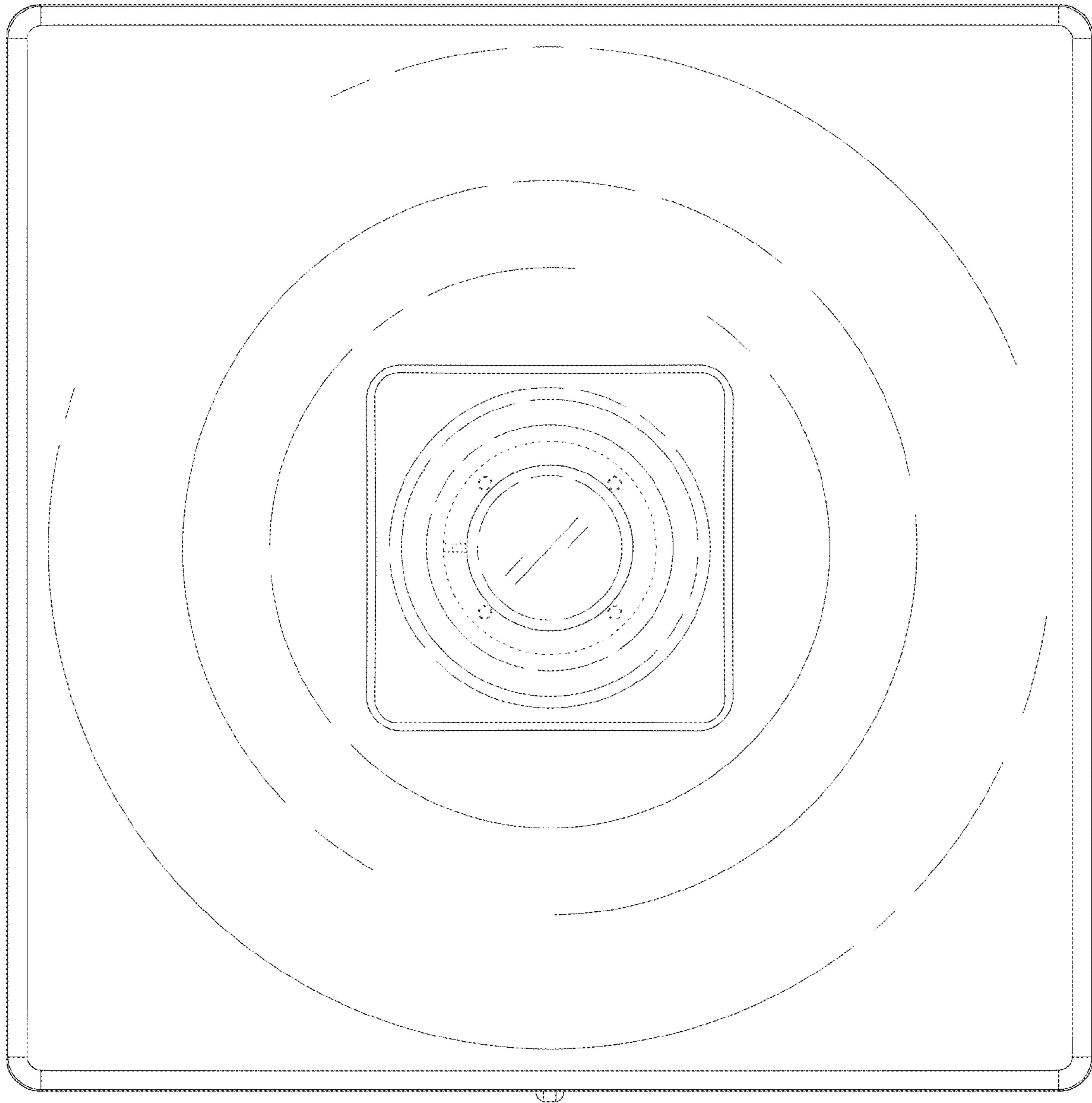


FIG. 7

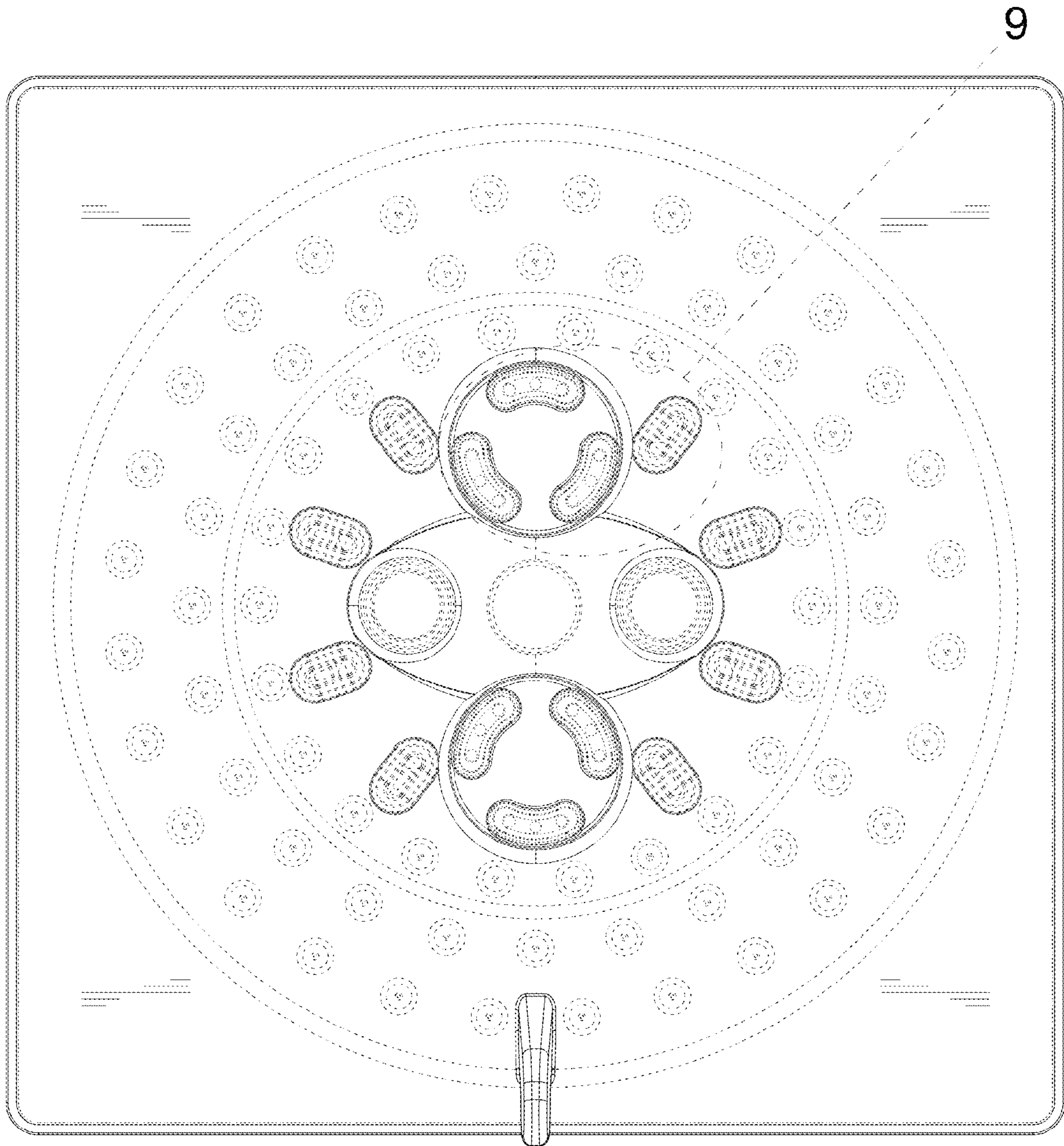


FIG. 8

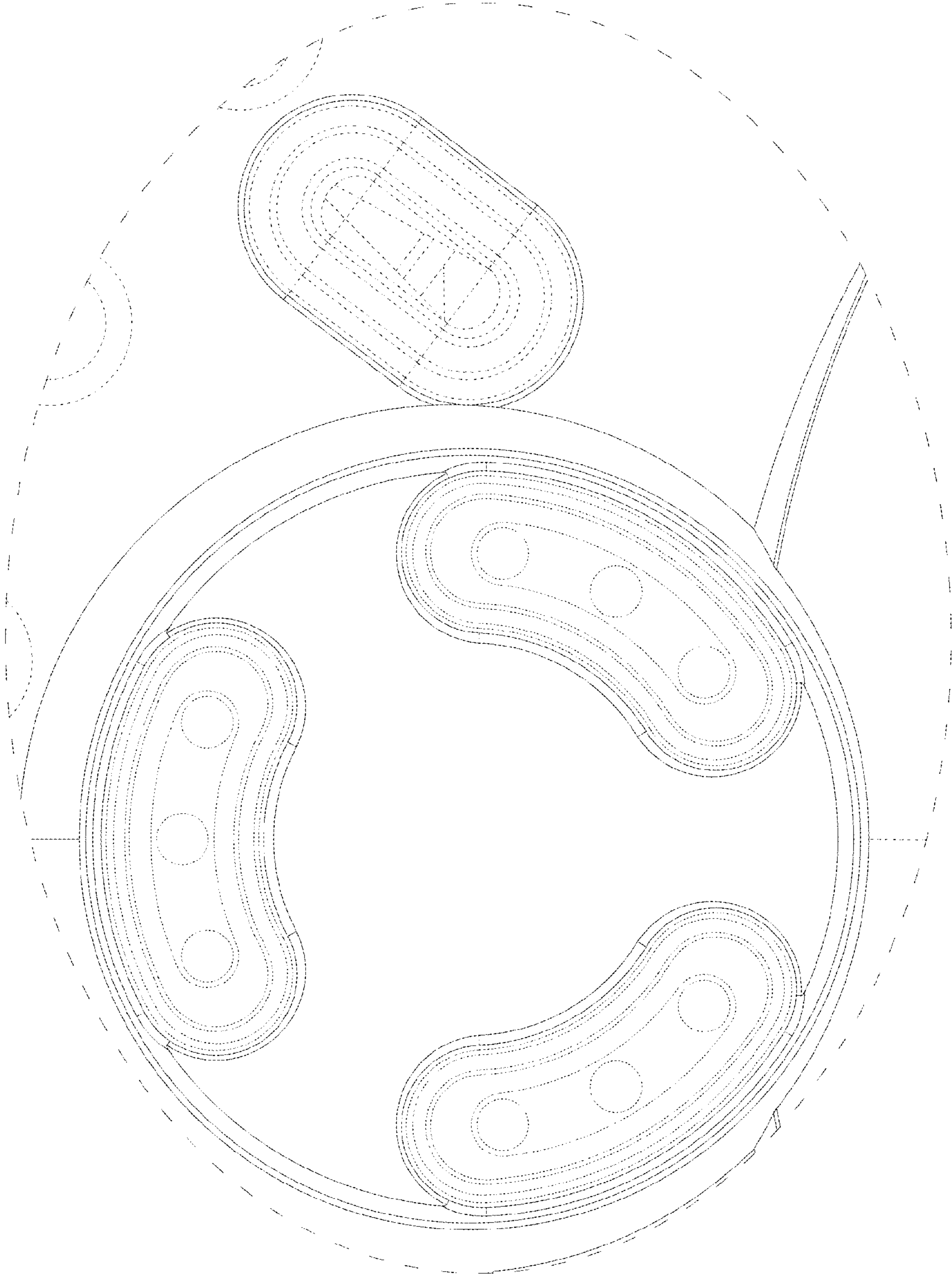


FIG. 9