



US00D926926S

(12) **United States Design Patent**  
**Moldthan**

(10) **Patent No.:** **US D926,926 S**

(45) **Date of Patent:** **\*\* Aug. 3, 2021**

(54) **SPRAY VALVE**

(71) Applicant: **T & S BRASS AND BRONZE WORKS, INC.**, Travelers Rest, SC (US)

(72) Inventor: **Jason Moldthan**, Greer, SC (US)

(73) Assignee: **T&S Brass and Bronze Works, Inc.**, Travelers Rest, SC (US)

(\*\*) Term: **15 Years**

(21) Appl. No.: **29/724,932**

(22) Filed: **Feb. 20, 2020**

(51) **LOC (13) Cl.** ..... **23-01**

(52) **U.S. Cl.**  
USPC ..... **D23/213**

(58) **Field of Classification Search**  
USPC ..... D23/213, 214, 215, 223, 224, 226, 229  
CPC ..... A61H 9/0021; A61H 33/00; B05B 1/00;  
B05B 1/14; B05B 1/185; B05B 1/08;  
B05B 1/02; B05B 1/26; B05B 12/002;  
B05B 1/18; B05B 9/01  
See application file for complete search history.

(56) **References Cited**

**U.S. PATENT DOCUMENTS**

D300,348	S	*	3/1989	Lubeck	.....	D23/226
D472,959	S	*	4/2003	Alkalay	.....	D23/223
6,820,291	B1		11/2004	Weaver		
D532,862	S	*	11/2006	Chung	.....	D23/213
7,150,415	B2		12/2006	Weaver et al.		
D537,504	S	*	2/2007	Luo	.....	D23/226
D605,251	S	*	12/2009	Zore	.....	D23/226
D702,810	S	*	4/2014	Stednitz	.....	D23/213

D746,944	S	*	1/2016	Naslund	.....	D23/213
D792,555	S	*	7/2017	Hung	.....	D23/223
2011/0127356	A1	*	6/2011	Hsu	.....	B05B 9/01 239/526

**OTHER PUBLICATIONS**

“Imlezon Pre Rinse Sprayer” [Jan. 29, 2018], [Amazon.com], [Feb. 11, 2021]: [URL] ([2018]) [https://www.amazon.com/dp/B00CTHLRV8/ref=sbl\\_dpx\\_B08DTVW7PJ\\_0](https://www.amazon.com/dp/B00CTHLRV8/ref=sbl_dpx_B08DTVW7PJ_0) (Year: 2018).\*

“YooGyy Sprayer” [Dec. 6, 2019], [Amazon.com], [Feb. 11, 2021]: [URL] ([2019]) [https://www.amazon.com/IMLEZON-Sprayer-Commercial-Kitchen-Finished/dp/B0794YX1WJ/ref=sr\\_1\\_134?dchild=1&keywords=spray%2Bnozzles&qid=1613080183&sr=8-134&th=1](https://www.amazon.com/IMLEZON-Sprayer-Commercial-Kitchen-Finished/dp/B0794YX1WJ/ref=sr_1_134?dchild=1&keywords=spray%2Bnozzles&qid=1613080183&sr=8-134&th=1) (Year: 2019).\*

\* cited by examiner

*Primary Examiner* — Jack Reickel

*Assistant Examiner* — Keith J Wilson

(74) *Attorney, Agent, or Firm* — Dority & Manning, P.A.

(57) **CLAIM**

The ornamental design for a spray valve, as shown and described.

**DESCRIPTION**

FIG. 1 illustrates an elevated perspective view from the front of the spray valve.

FIG. 2 illustrates a front elevation of the spray valve.

FIG. 3 illustrates a back elevation of the spray valve.

FIG. 4 illustrates a top elevation of the spray valve.

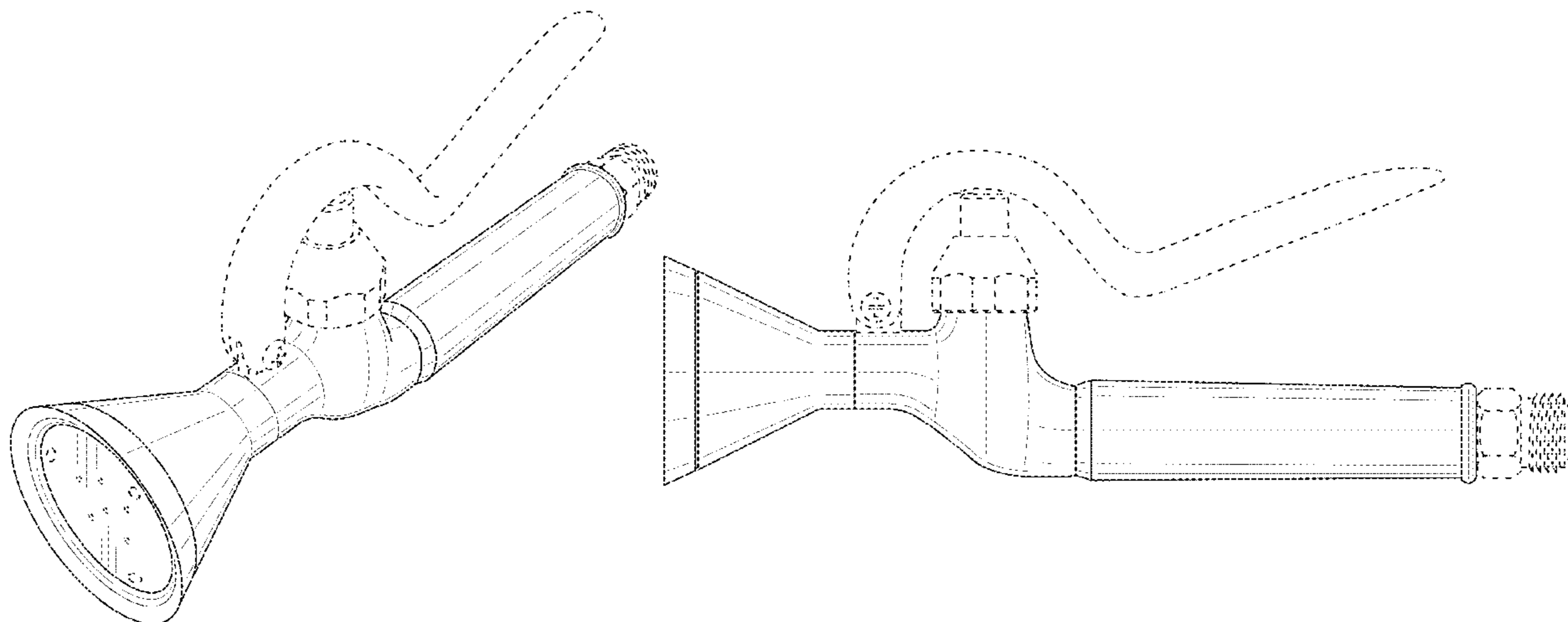
FIG. 5 illustrates a bottom elevation of the spray valve.

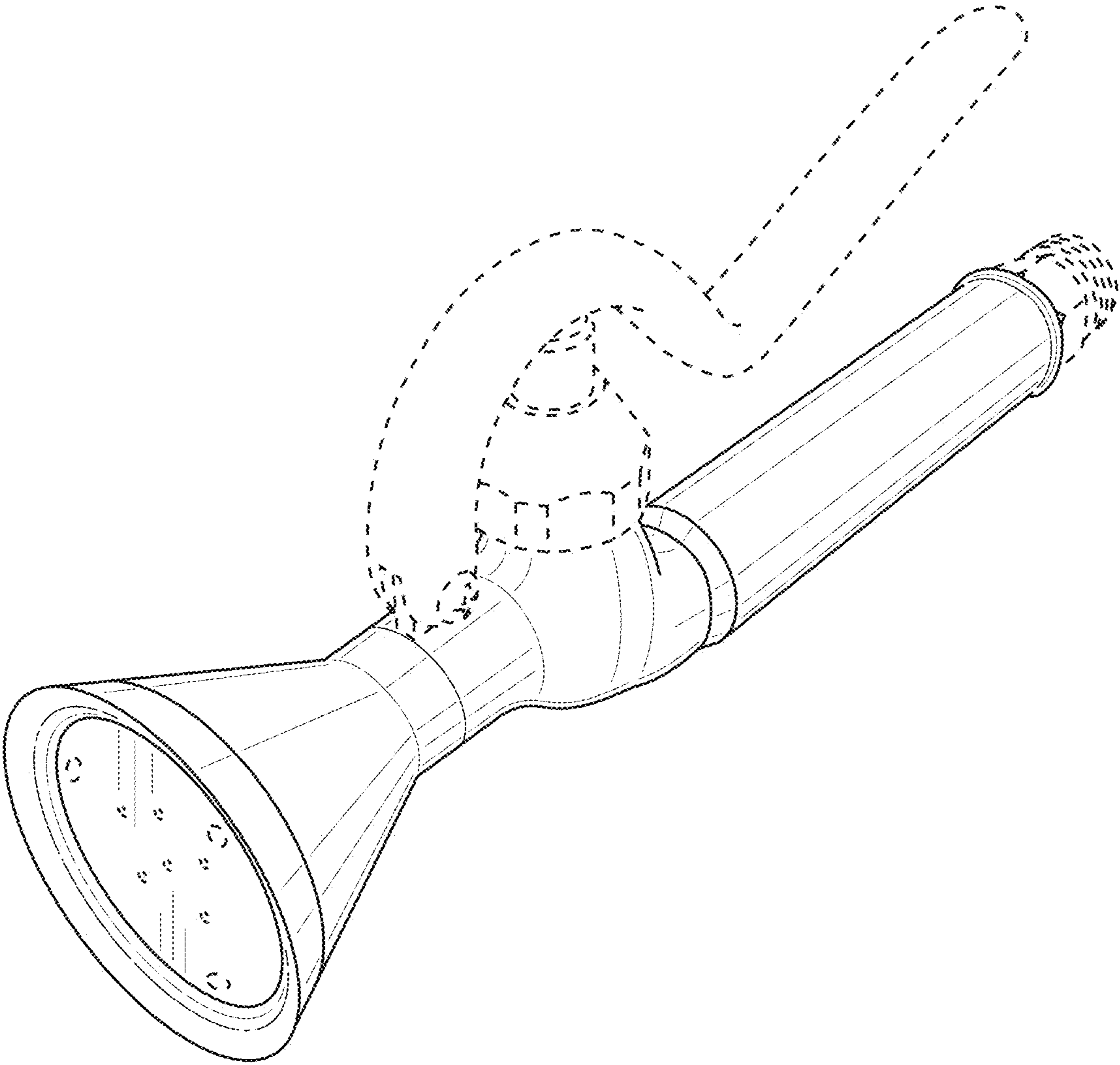
FIG. 6 illustrates the left side elevation of the spray valve; and,

FIG. 7 illustrates the right side elevation of the spray valve.

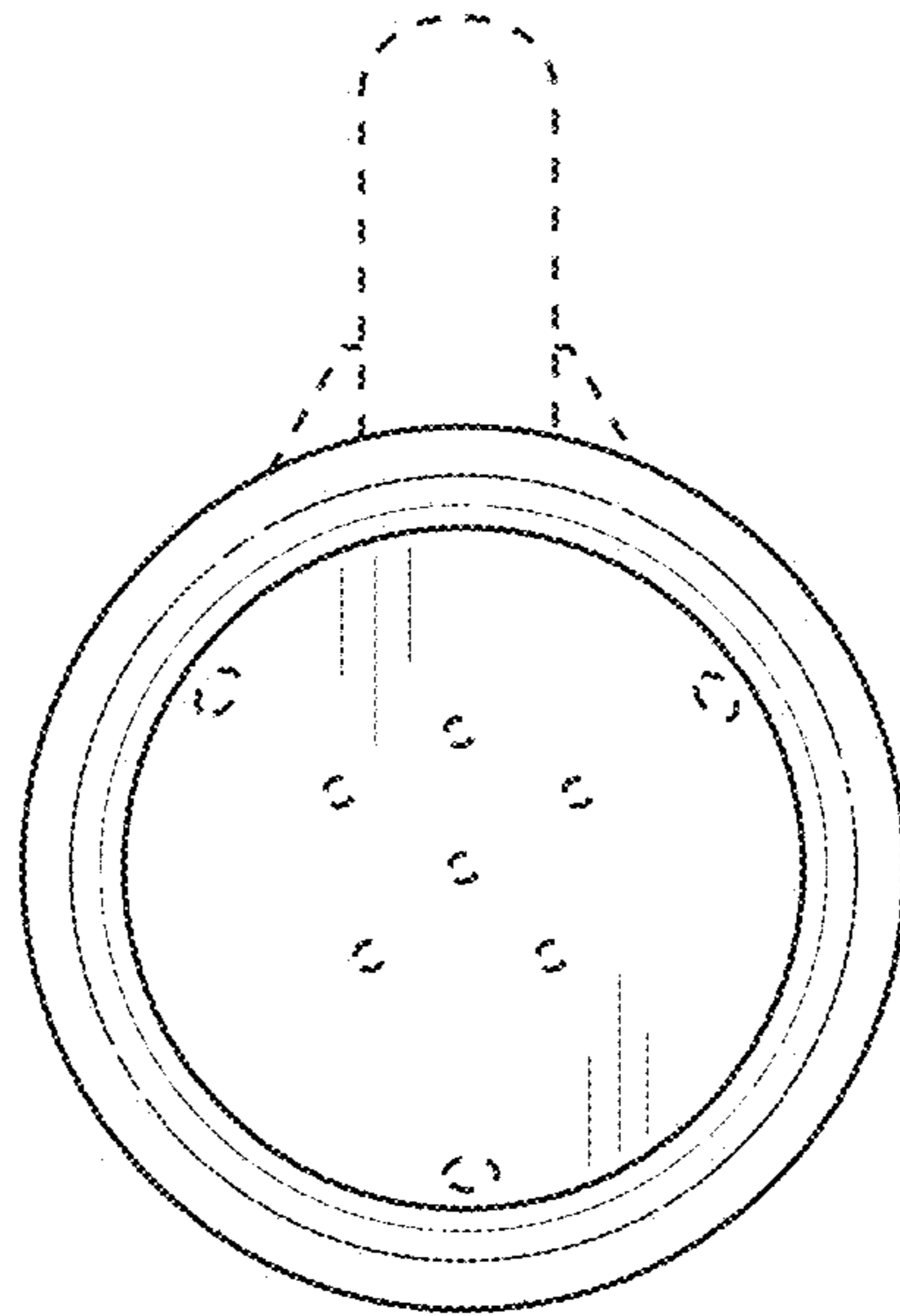
The broken lines shown represent portions of a spray valve and form no part of the claimed design.

**1 Claim, 7 Drawing Sheets**

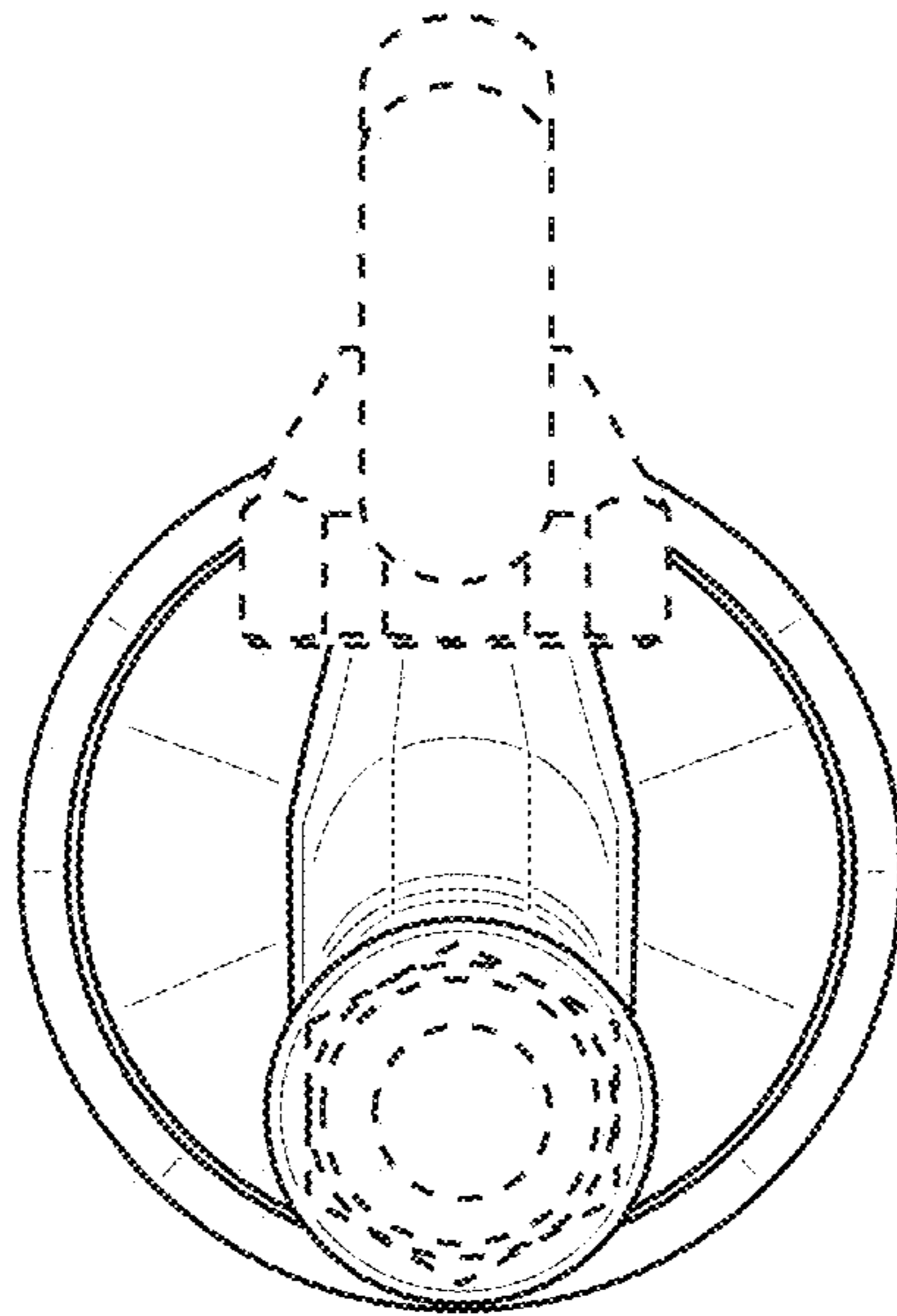




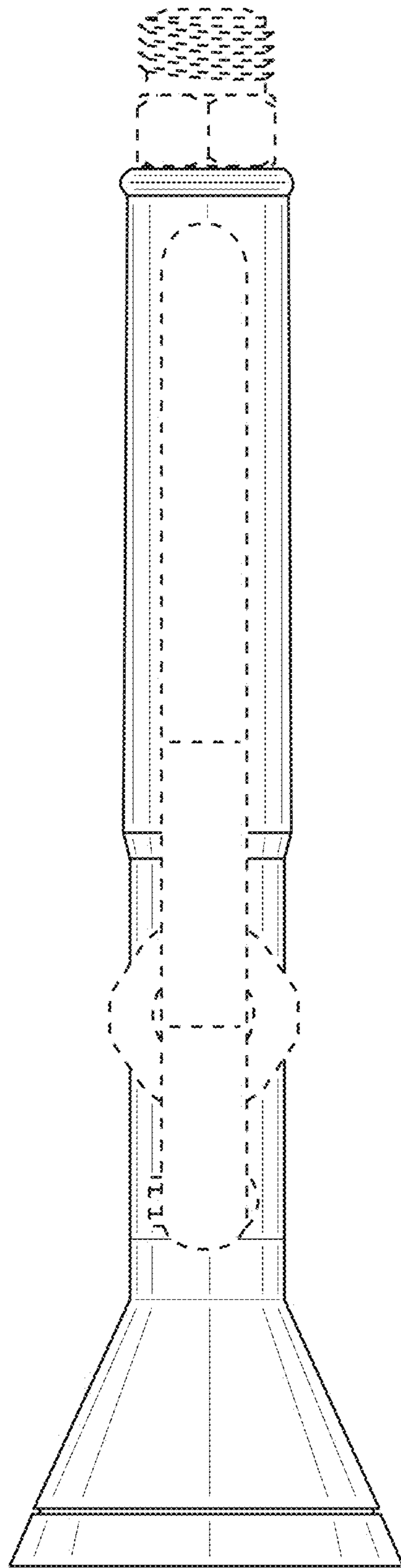
**FIG. 1**



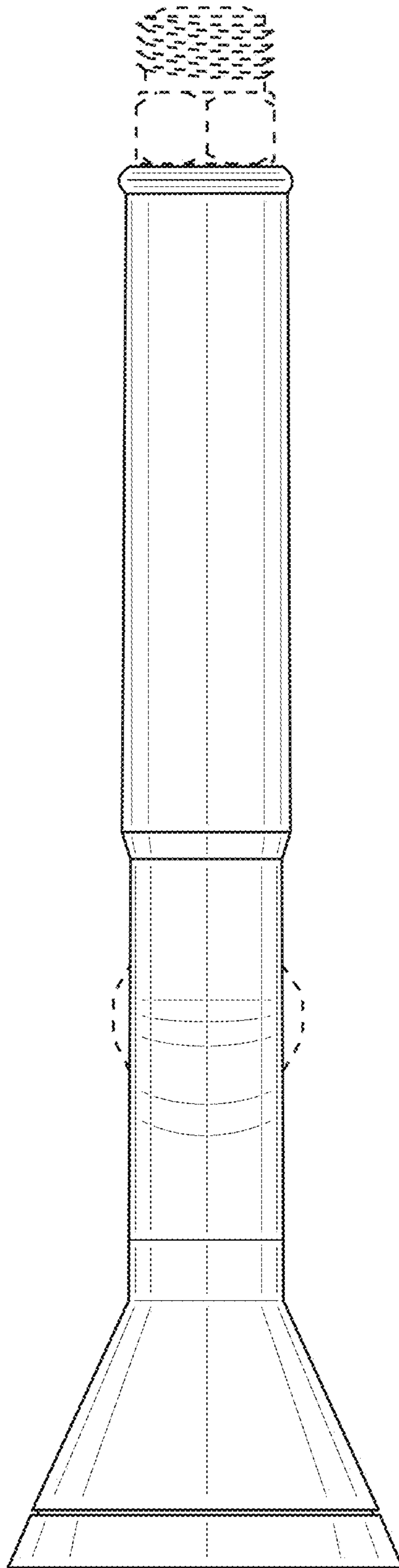
**FIG. 2**



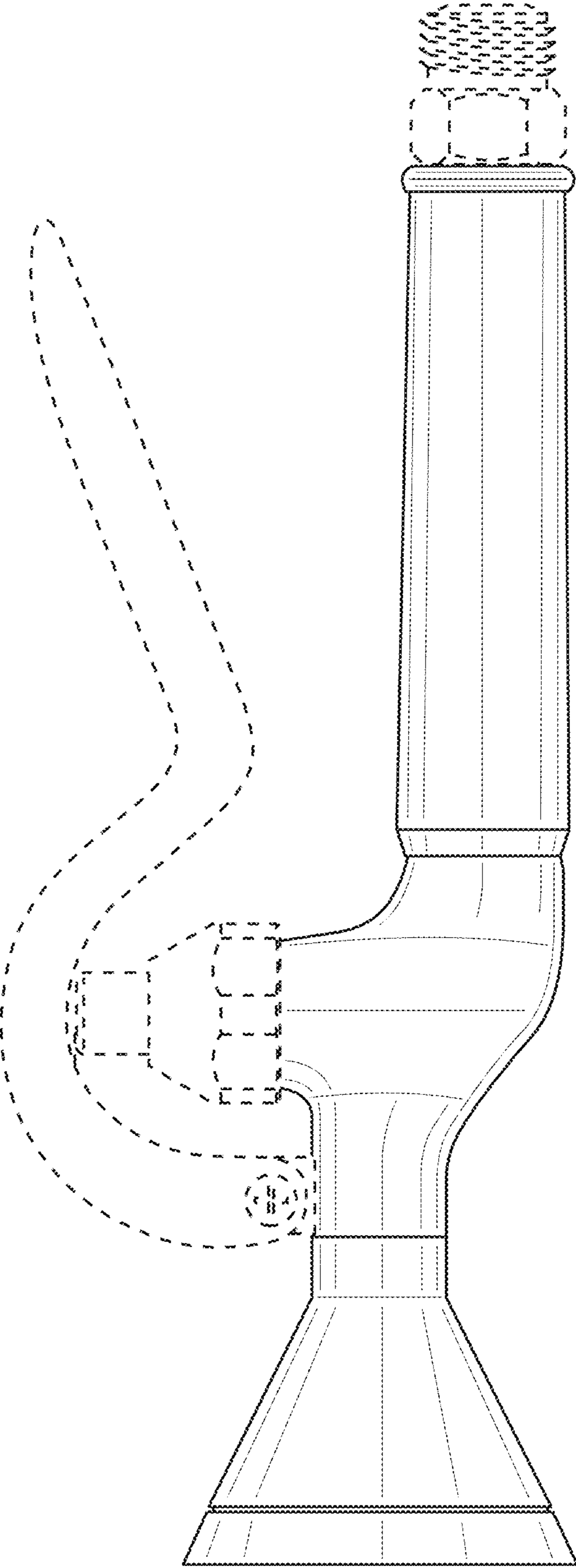
**FIG. 3**



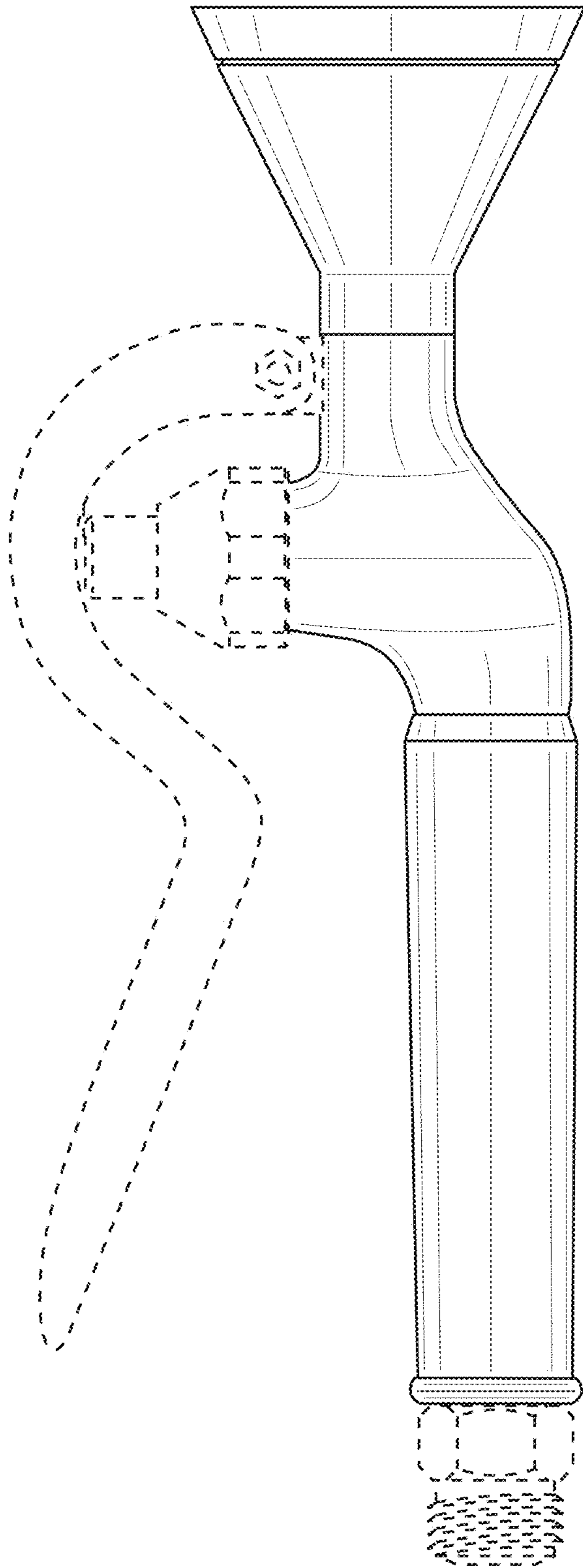
**FIG. 4**



**FIG. 5**



**FIG. 6**



**FIG. 7**