



US00D926924S

(12) **United States Design Patent** (10) **Patent No.:** **US D926,924 S**  
**Cocks et al.** (45) **Date of Patent:** **\*\* Aug. 3, 2021**

(54) **SHOWER ROSE**  
(71) Applicant: **Phoenix Industries Pty Ltd**, Bayswater (AU)  
(72) Inventors: **Andrew John Cocks**, Bayswater (AU); **Ban Hsi Liu**, Bayswater (AU)  
(73) Assignee: **Phoenix Industries Pty Ltd**, Bayswater (AU)

D524,406 S 7/2006 Hoernig  
D524,412 S 7/2006 Blomstrom  
D540,427 S 4/2007 Bouroullec  
D556,855 S 12/2007 Mullenmeister  
(Continued)

**FOREIGN PATENT DOCUMENTS**

AU 308198 7/2006  
AU 308199 7/2006  
(Continued)

(\*\*) Term: **15 Years**  
(21) Appl. No.: **29/702,660**  
(22) Filed: **Aug. 21, 2019**

**OTHER PUBLICATIONS**

Methven Aio Wall Mount Handheld Shower Head, Amazon, retrieved on [Aug. 28, 2019] [https://www.amazon.com/Methven-Aio-Handheld-Shower-Chrome/dp/B075M4GYXR/ref=sr\\_1\\_5?dchild=1&keywords=Methven+Aio+Retrofit+Shower+Head+Handpiece&qid=1598665550&s=hi&sr=1-5](https://www.amazon.com/Methven-Aio-Handheld-Shower-Chrome/dp/B075M4GYXR/ref=sr_1_5?dchild=1&keywords=Methven+Aio+Retrofit+Shower+Head+Handpiece&qid=1598665550&s=hi&sr=1-5) (Year: 2017).\*

(Continued)

(30) **Foreign Application Priority Data**  
Feb. 22, 2019 (AU) ..... 201910956  
(51) **LOC (13) Cl.** ..... **23-01**  
(52) **U.S. Cl.**  
USPC ..... **D23/213**  
(58) **Field of Classification Search**  
USPC ..... D23/207, 213, 214, 215, 223, 224, 226,  
D23/229, 230  
CPC ..... A61H 9/0021; A61H 33/00; B05B 1/00;  
B05B 1/14; B05B 1/185; B05B 1/08;  
B05B 1/02; B05B 1/26; B05B 12/002;  
B05B 1/18; B05B 9/01  
See application file for complete search history.

*Primary Examiner* — Jack Reickel  
*Assistant Examiner* — Keith J Wilson  
(74) *Attorney, Agent, or Firm* — Womble Bond Dickinson (US) LLP

(57) **CLAIM**

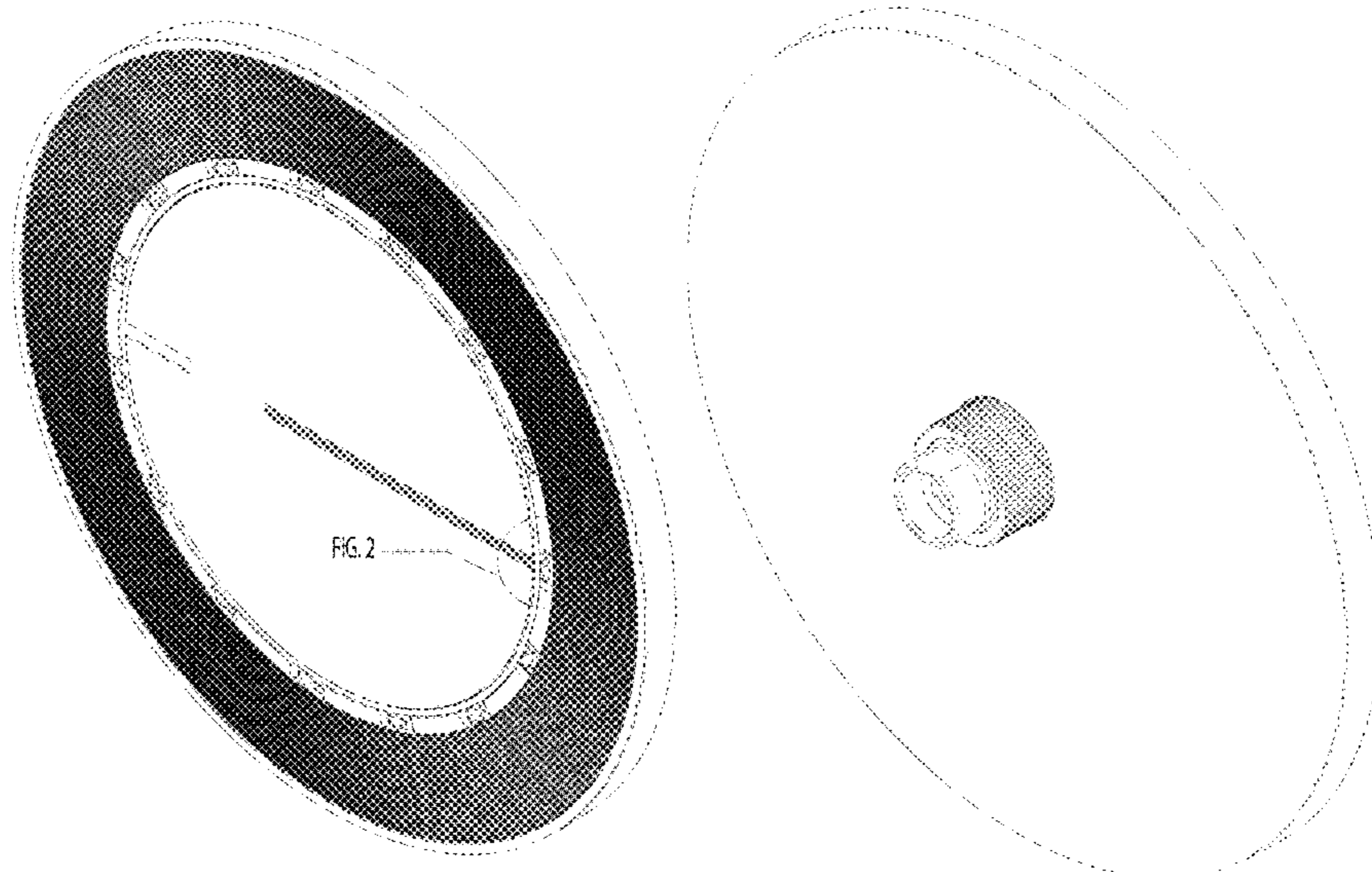
The ornamental design for a shower rose, as shown and described.

**DESCRIPTION**

FIG. 1 is a bottom isometric view of a shower rose according to our new design;  
FIG. 2 is a view of an enlarged section of the bottom isometric view of FIG. 1;  
FIG. 3 is a top isometric view thereof;  
FIG. 4 is a bottom view thereof;  
FIG. 5 is a view of an enlarged section of the bottom view of FIG. 4;  
FIG. 6 is a top view thereof; and,  
FIG. 7 is a front view thereof, the rear and side views being identical to the front view.

(56) **References Cited**  
**U.S. PATENT DOCUMENTS**  
D487,498 S 3/2004 Blomstrom  
D496,987 S 10/2004 Glunk  
D498,514 S \* 11/2004 Haug ..... D23/223  
D508,730 S 8/2005 Blomstrom  
D512,120 S \* 11/2005 Haug ..... D23/213  
D513,525 S \* 1/2006 Haug ..... D23/223  
D519,187 S \* 4/2006 Tse ..... D23/213

**1 Claim, 7 Drawing Sheets**



(56)

References Cited

U.S. PATENT DOCUMENTS

D562,937 S 2/2008 Schoenherr  
 D564,066 S \* 3/2008 Lammel ..... D23/223  
 D565,703 S \* 4/2008 Lammel ..... D23/223  
 D566,228 S 4/2008 Neago  
 D566,231 S \* 4/2008 Lammel ..... D23/223  
 D590,917 S 4/2009 Schoenherr  
 D593,640 S 6/2009 Schoenherr  
 D604,802 S 11/2009 Schoenherr  
 D613,370 S 4/2010 Allard  
 D622,809 S 8/2010 Montgomery  
 D624,155 S 9/2010 Yokoyama  
 D634,401 S 3/2011 Flowers  
 D637,266 S 5/2011 Flowers  
 D639,382 S 6/2011 Flowers  
 D649,623 S 11/2011 Flowers  
 D654,983 S 2/2012 Schoenherr  
 D655,386 S 3/2012 Schoenherr  
 D655,783 S 3/2012 Schoenherr  
 D656,582 S 3/2012 Flowers  
 D659,167 S 5/2012 Cocks  
 D659,794 S 5/2012 Flowers  
 D665,479 S 8/2012 Cocks  
 D669,156 S 10/2012 Schoenherr  
 D669,962 S 10/2012 Schoenherr  
 D672,010 S 12/2012 Verdeflor  
 D680,619 S 4/2013 Zhadanov  
 D681,776 S 5/2013 Cutler  
 D681,781 S 5/2013 Cutler  
 D687,924 S \* 8/2013 Newson ..... D23/213  
 D694,357 S 11/2013 Brodey  
 D694,358 S 11/2013 Schoenherr  
 D694,359 S 11/2013 Schoenherr  
 D694,361 S 11/2013 Schoenherr  
 D694,856 S 12/2013 Madsen  
 D697,177 S \* 1/2014 Schoenherr ..... D23/223  
 D707,328 S 6/2014 Schoenherr  
 D707,330 S 6/2014 Schoenherr  
 D710,973 S 8/2014 Madsen  
 D713,004 S 9/2014 Schoenherr  
 D713,496 S 9/2014 Schoenherr  
 D713,498 S 9/2014 Schoenherr  
 D714,421 S 9/2014 Flowers  
 8,851,398 B2 10/2014 Li  
 D718,418 S 11/2014 Georgeson  
 8,991,432 B2 3/2015 Zhou  
 D730,493 S 5/2015 Sehl  
 9,027,857 B2 5/2015 Kull  
 D733,258 S 6/2015 Sandee  
 9,046,261 B2 6/2015 Zhang  
 D736,347 S 8/2015 Tan  
 D736,348 S 8/2015 Tan  
 D737,931 S 9/2015 Schoenherr  
 D737,932 S 9/2015 Nikles  
 D738,991 S 9/2015 Brodey  
 D743,507 S 11/2015 Georgeson  
 D746,955 S 1/2016 Corder  
 D749,694 S 2/2016 Madsen  
 D751,174 S 3/2016 Schoenherr  
 D751,175 S 3/2016 Schoenherr  
 D751,176 S 3/2016 Schoenherr  
 D752,711 S 3/2016 Georgeson  
 D757,894 S 5/2016 Schoenherr  
 D757,895 S 5/2016 Schoenherr  
 D758,532 S 6/2016 Schoenherr  
 9,387,495 B2 7/2016 Schumacher  
 D778,402 S 2/2017 Schoenherr  
 D778,404 S 2/2017 Schoenherr  
 D779,038 S 2/2017 Hanna  
 D779,039 S 2/2017 Hanna  
 D785,131 S 4/2017 Cimino  
 D787,458 S 5/2017 Kim  
 D791,277 S 7/2017 Eads  
 D793,527 S 8/2017 Zanger  
 D801,475 S 10/2017 Naslund  
 D803,350 S 11/2017 Tian

D808,499 S 1/2018 Naslund  
 D809,094 S 1/2018 Naslund  
 D810,233 S 2/2018 Winter  
 D810,234 S \* 2/2018 Winter ..... D23/213  
 D810,861 S 2/2018 Weaver  
 D811,524 S 2/2018 Bossini  
 D813,348 S 3/2018 Bossini  
 D820,388 S 6/2018 Seum  
 D820,949 S 6/2018 Reinecker  
 D821,542 S 6/2018 Reinecker  
 D822,157 S 7/2018 L'Henaff  
 D824,485 S 7/2018 Montoya  
 D828,491 S 9/2018 Schoenherr  
 D828,511 S 9/2018 Liu et al.  
 D828,512 S 9/2018 Liu et al.  
 D828,516 S 9/2018 Liu et al.  
 D828,909 S 9/2018 Liu et al.  
 D832,398 S \* 10/2018 Lin ..... D23/223  
 D833,575 S 11/2018 Soulier  
 D839,384 S 1/2019 Svendsen  
 D840,503 S 2/2019 Stein  
 D841,121 S 2/2019 Kiefer  
 D841,125 S 2/2019 Lai  
 D841,126 S \* 2/2019 Lai ..... D23/223  
 D842,429 S 3/2019 Huang  
 D842,430 S 3/2019 Huang  
 D842,431 S 3/2019 Cacka  
 D842,967 S 3/2019 Farley  
 D844,749 S 4/2019 Cocks et al.  
 D846,077 S 4/2019 Liu  
 D846,701 S 4/2019 Liu  
 D846,702 S 4/2019 Liu  
 D847,302 S 4/2019 Cocks et al.  
 D849,191 S 5/2019 Cocks et al.  
 D849,696 S 5/2019 Adenau  
 D851,207 S 6/2019 Cocks et al.  
 D855,759 S \* 8/2019 Winter ..... D23/223  
 D855,760 S \* 8/2019 Lee ..... D23/223  
 D856,475 S 8/2019 Gessi  
 D861,830 S \* 10/2019 Quinn ..... D23/223  
 D865,132 S 10/2019 Hoogendoorn et al.  
 D865,133 S 10/2019 Hoogendoorn et al.  
 D866,715 S 11/2019 Liu et al.  
 D868,213 S 11/2019 Hoogendoorn et al.  
 D881,340 S \* 4/2020 Winter ..... D23/213  
 D888,195 S \* 6/2020 Cocks ..... D23/213  
 D889,599 S \* 7/2020 Moldthan ..... D23/213  
 D895,768 S \* 9/2020 Schoenherr ..... D23/213  
 10,792,678 B2 \* 10/2020 Lu ..... B05B 1/083  
 10,882,061 B2 \* 1/2021 Nikles ..... E03C 1/0409  
 2016/0265201 A1 9/2016 Hoogendoorn et al.  
 2020/0324305 A1 \* 10/2020 Malcolm ..... B05B 1/18  
 2020/0406275 A1 \* 12/2020 Tu ..... B05B 1/16

FOREIGN PATENT DOCUMENTS

AU 308201 7/2006  
 AU 308202 7/2006  
 AU 314560 6/2007  
 AU 314563 6/2007  
 AU 321286 10/2008  
 AU 328364 11/2009  
 AU 328365 11/2009  
 AU 334096 12/2010  
 AU 336356 5/2011  
 AU 336357 5/2011  
 AU 337781 7/2011  
 AU 337782 7/2011  
 AU 344493 9/2012  
 AU 344494 9/2012  
 AU 350490 8/2013  
 AU 355991 6/2014  
 AU 355992 6/2014  
 AU 355993 6/2014  
 AU 355994 6/2014  
 AU 357542 9/2014  
 AU 357840 9/2014

(56)

**References Cited**

## FOREIGN PATENT DOCUMENTS

AU	357842	9/2014
AU	357843	9/2014

## OTHER PUBLICATIONS

High Sierra's Premium "Tenaya PLUS" All Metal Shower Head  
Nov. 7, 2016, Amazon.com, Mar. 30, 2021: URL: <https://www.amazon.com/dp/B01N06478Q/> (Year: 2016).\*

TOI Basin Mixer, Phoenix Tapware, Showers & Accessories, <http://www.phoenixtapware.com.au/products/toi-basin-mixer>, known at least as early as Oct. 25, 2016, 3 pgs.

*TOI Wall Basin/Bath Mixer Set*, <http://www.phoenixtapware.com.au/toi-wall-basin-mixer-set180mm>, known at least as early as Oct. 25, 2016, 3 pgs.

*TOI Sink Mixer Squareline, Phoenix Tapware, Showers & Accessories*, <http://www.phoenixtapware.com.au/toi-sink-mixer-180mm-squareline>, known at least as early as Oct. 25, 2016, 3 pgs.

Amazon; *8 Inch Rainfall Shower Head*; WaterPoint; available at [https://www.amazon.com/Inch-Rainfall-Shower-Head-WaterPoint/dp/B07R62JT94/ref=sr\\_1\\_1\\_75?keywords=showerhead&qid=1566490142&s=gateway&sr=8-75](https://www.amazon.com/Inch-Rainfall-Shower-Head-WaterPoint/dp/B07R62JT94/ref=sr_1_1_75?keywords=showerhead&qid=1566490142&s=gateway&sr=8-75); available prior to Aug. 21, 2019.

\* cited by examiner

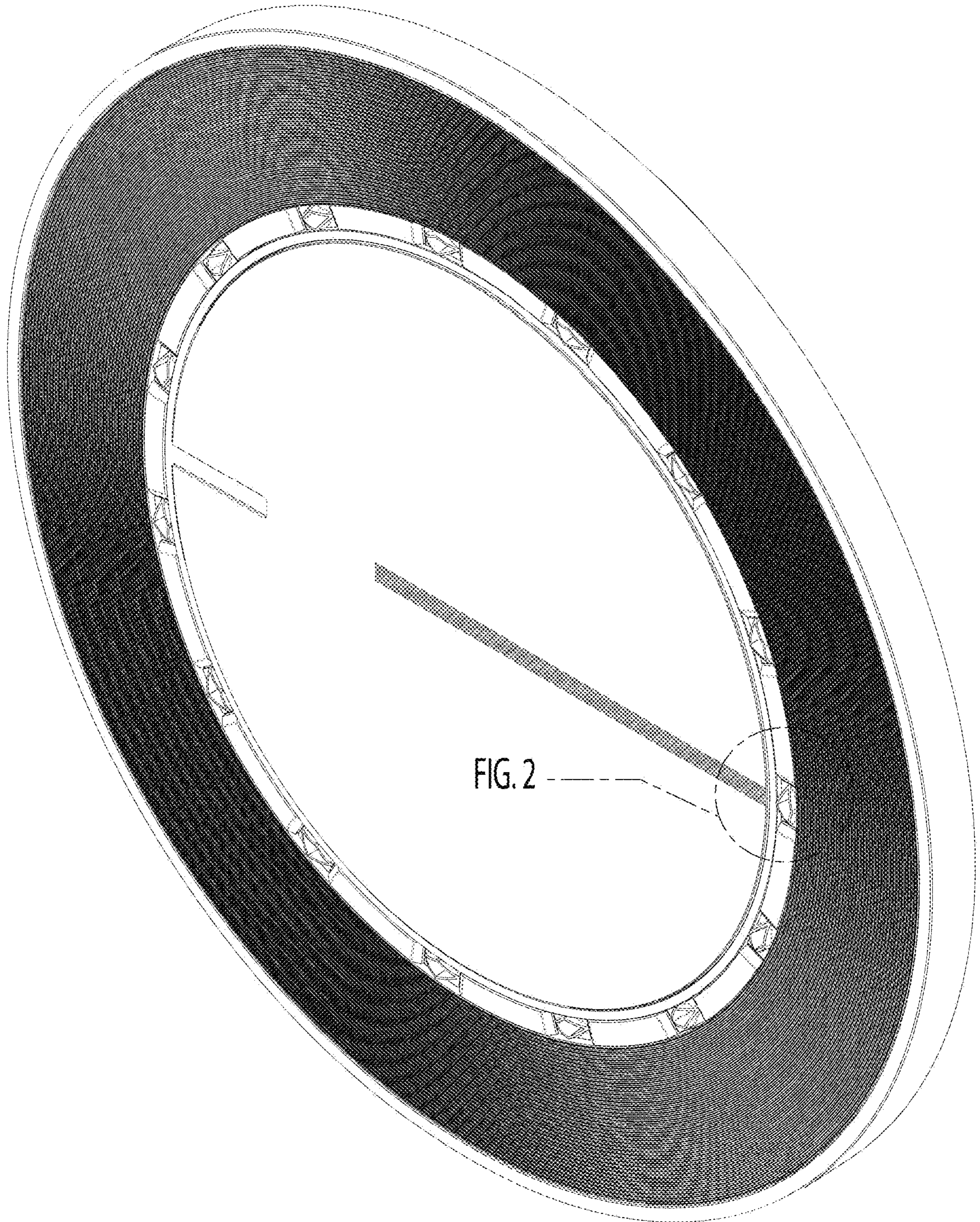


FIG. 1

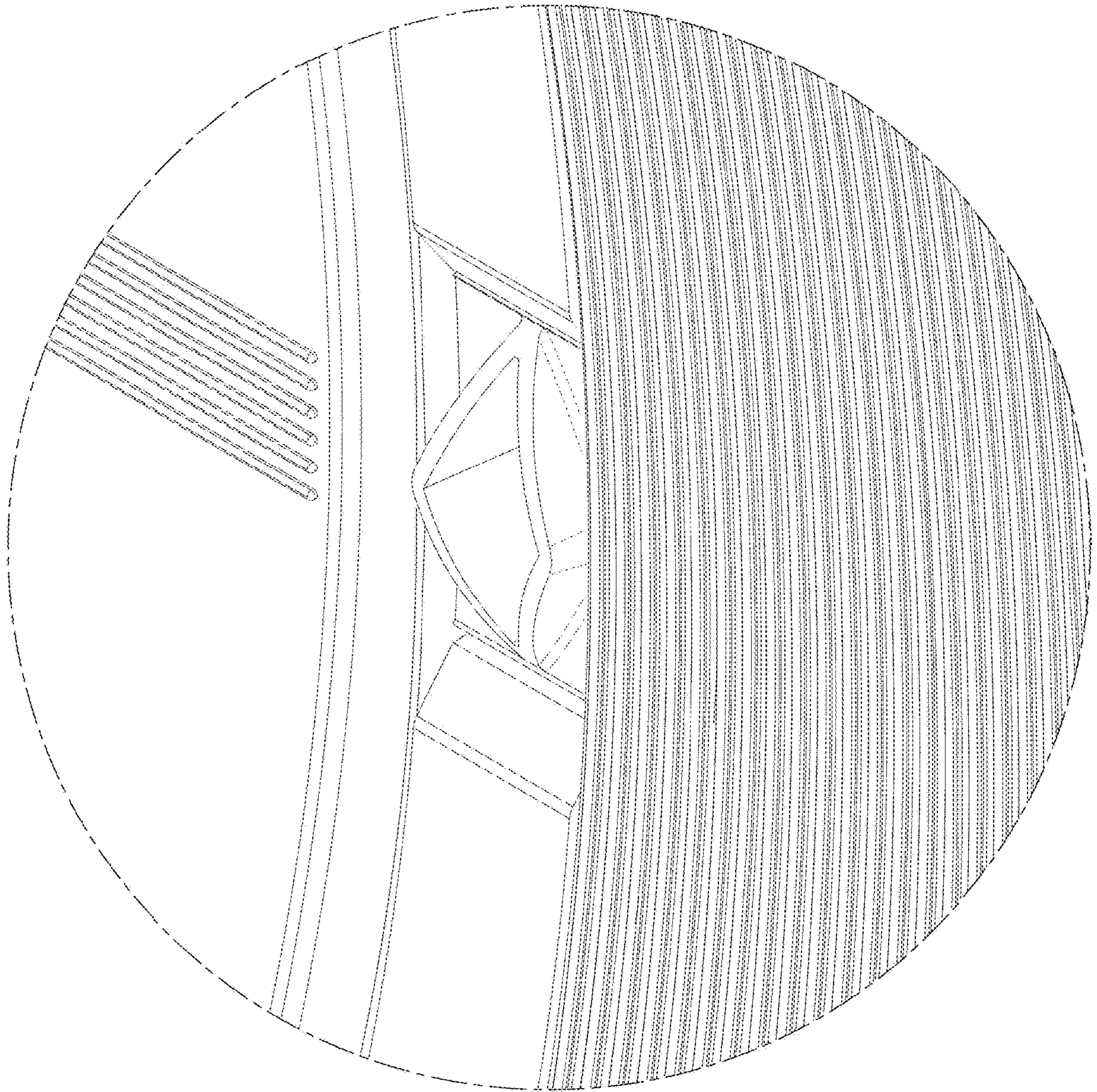


FIG. 2

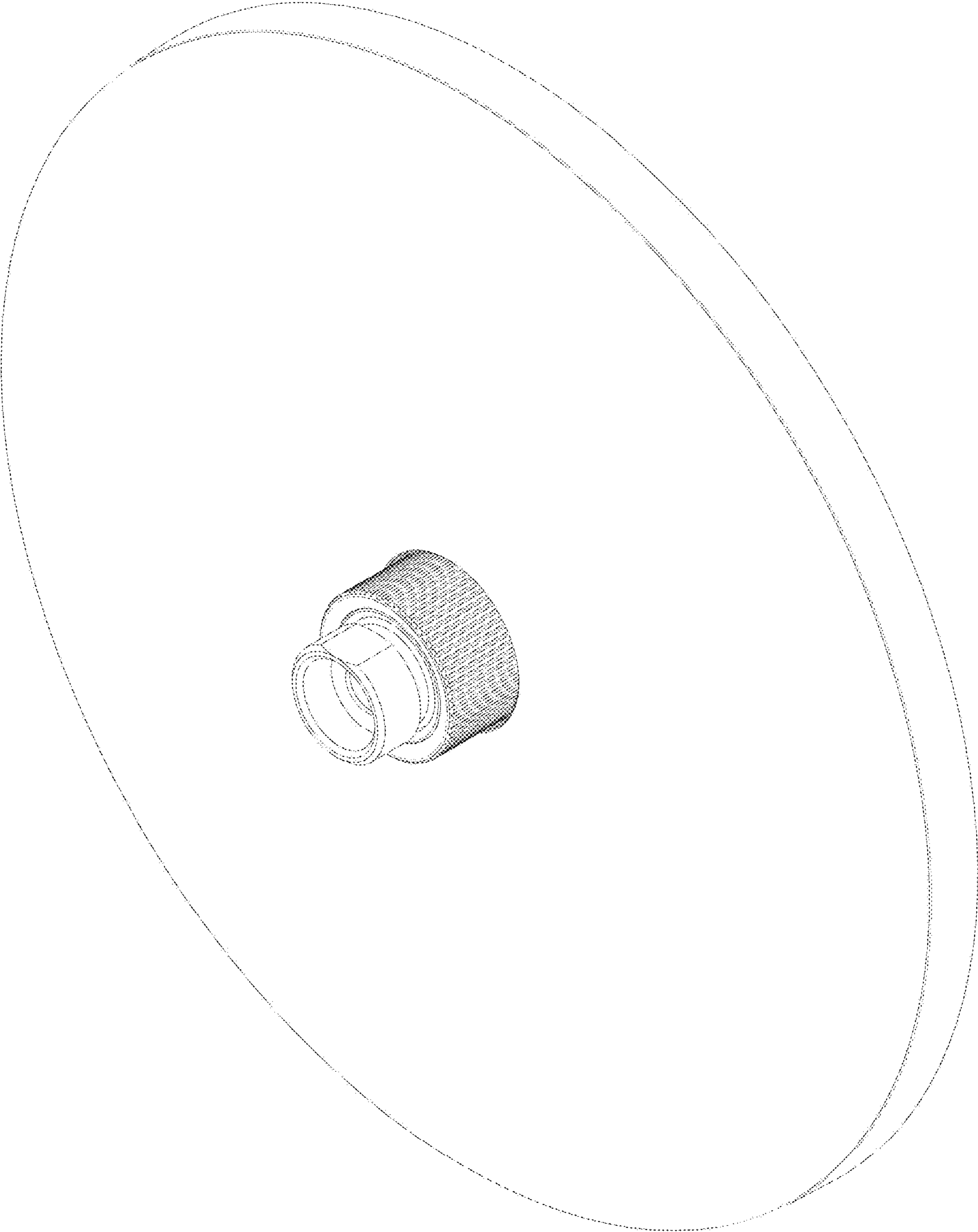


FIG. 3

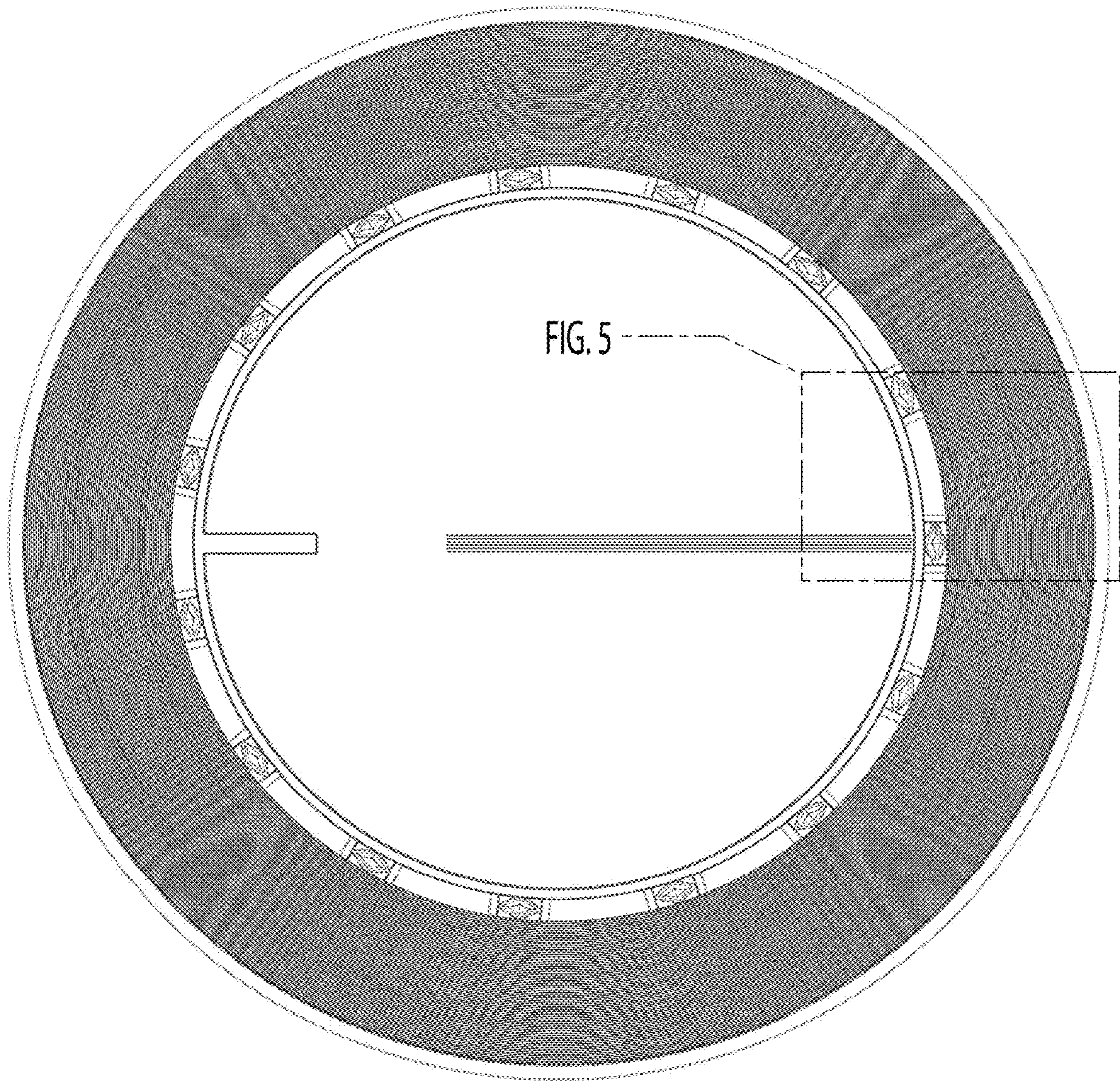


FIG. 4

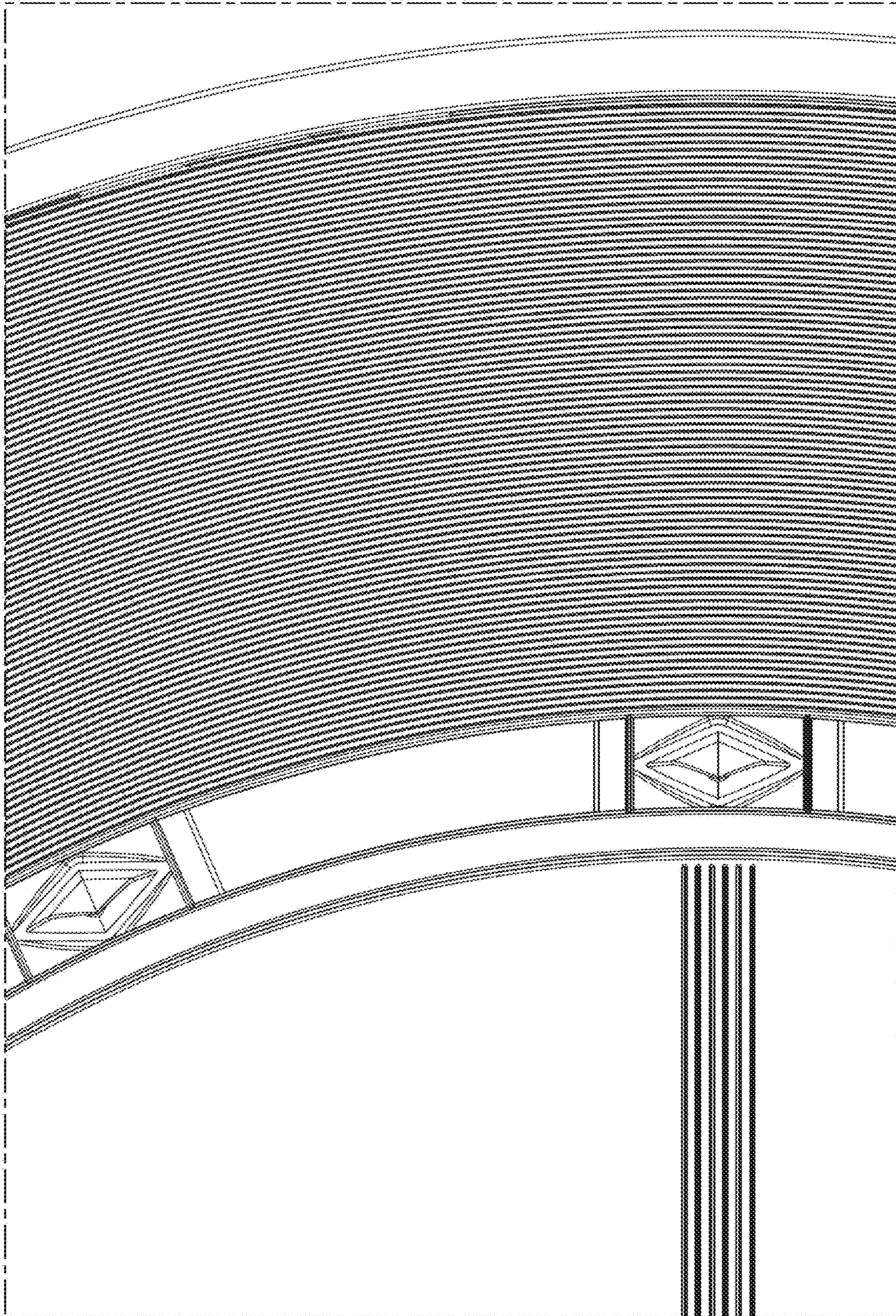


FIG. 5



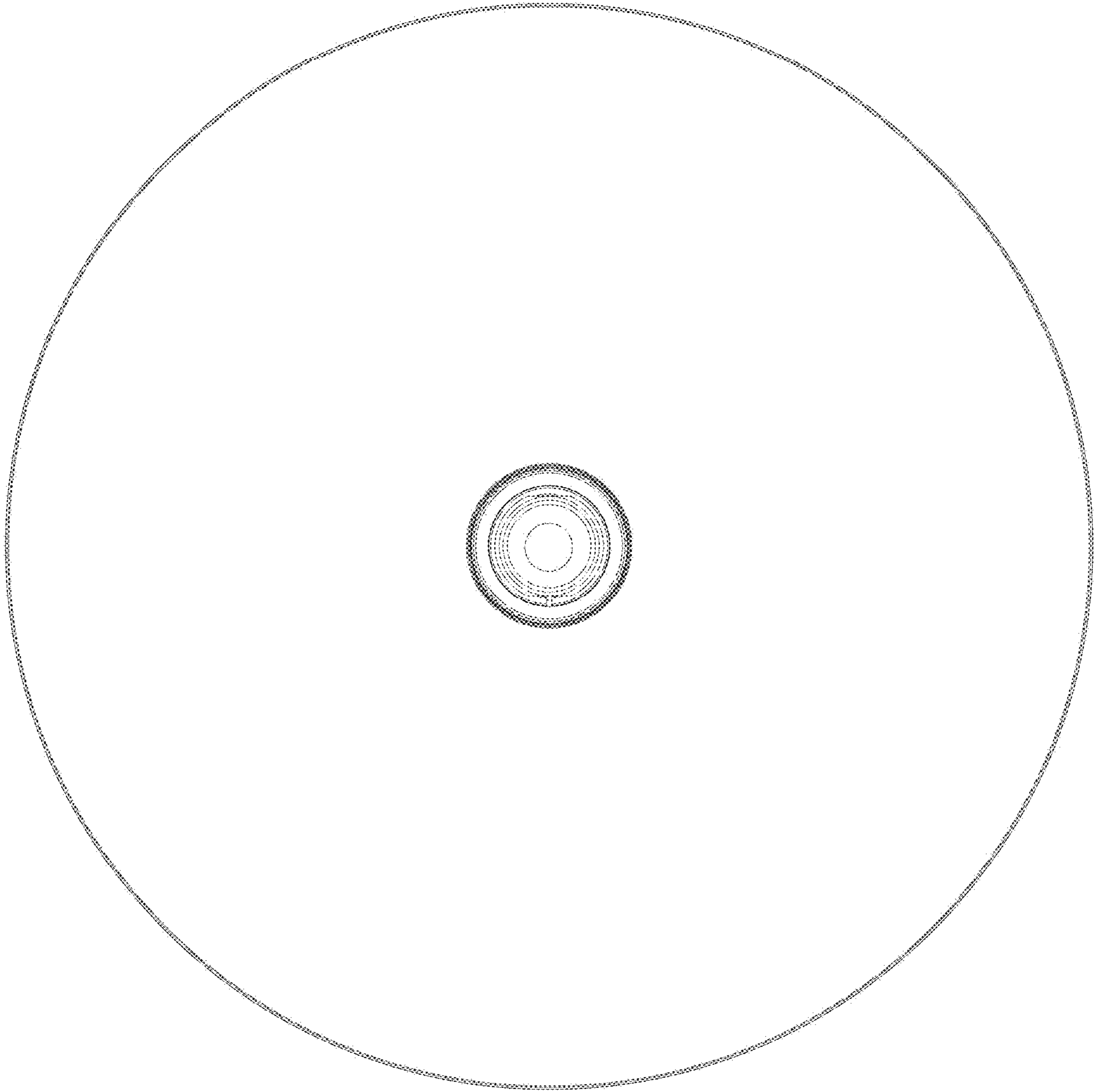


FIG. 6

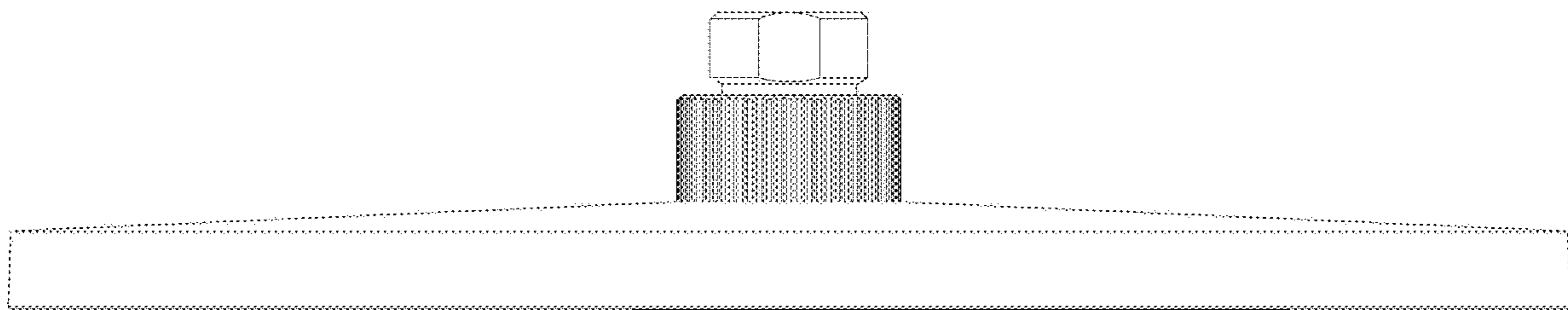


FIG. 7