



US00D926923S

(12) **United States Design Patent** (10) **Patent No.:** **US D926,923 S**
Ross (45) **Date of Patent:** **** Aug. 3, 2021**

- (54) **FLUID HEAD RETAINER** 6,685,106 B1 * 2/2004 van der Steur B05B 7/0081
239/291
- (71) Applicant: **Graco Minnesota Inc.**, Minneapolis, MN (US) 7,128,283 B1 * 10/2006 Shahin B05B 1/042
239/600
- (72) Inventor: **Daniel P. Ross**, Vadnais Heights, MN (US) D532,864 S * 11/2006 Mather D23/213
D636,844 S * 4/2011 Herre D23/213
7,950,598 B2 * 5/2011 Olson B05B 7/2416
239/340
- (73) Assignee: **Graco Minnesota Inc.**, Minneapolis, MN (US) D639,906 S * 6/2011 Wright D23/213
8,079,534 B2 * 12/2011 Fecht B21B 45/0233
239/599

(Continued)

(**) Term: **15 Years**

- (21) Appl. No.: **29/698,844**
- (22) Filed: **Jul. 19, 2019**
- (51) **LOC (13) Cl.** **23-01**
- (52) **U.S. Cl.**
USPC **D23/213**
- (58) **Field of Classification Search**
USPC D23/207, 213–215, 223–226, 229–230,
D23/235, 259–260; D15/122, 145;
D13/133
CPC A61H 9/0021; A61H 33/00; B05B 9/01;
B05B 1/00; B05B 1/02; B05B 1/08;
B05B 1/14; B05B 1/18; B05B 1/26;
B05B 1/185; B05B 7/0081; B05C
17/00553; B05C 17/00566
See application file for complete search history.

(56) **References Cited**

U.S. PATENT DOCUMENTS

- 4,074,857 A * 2/1978 Calder B05B 1/28
239/119
- 4,392,617 A * 7/1983 Bakos B05B 7/0081
239/290
- D366,051 S * 1/1996 Lewis D15/138
- 6,158,672 A * 12/2000 Millan B05B 7/0081
239/290
- 6,412,516 B1 * 7/2002 Goldsmith B05B 1/3026
137/454.6

OTHER PUBLICATIONS

Graco, Fusion PC ProConnect Retrofit Kit, (site visited Dec. 28, 2020), Christian Fabrication Website, URL:<https://christianfab.com/graco-fusion-pc-proconnect-retrofit-kit/?sku=25P704&gclid=EALalQobChMI9-p8vr3x7QIVhJyGCh38BQ8vEAQYAyABEgLTovD_BwE> (Year: 2020).*

(Continued)

Primary Examiner — Sheryl Lane
Assistant Examiner — Mark T. Philipps
(74) *Attorney, Agent, or Firm* — Kinney & Lange, P. A.

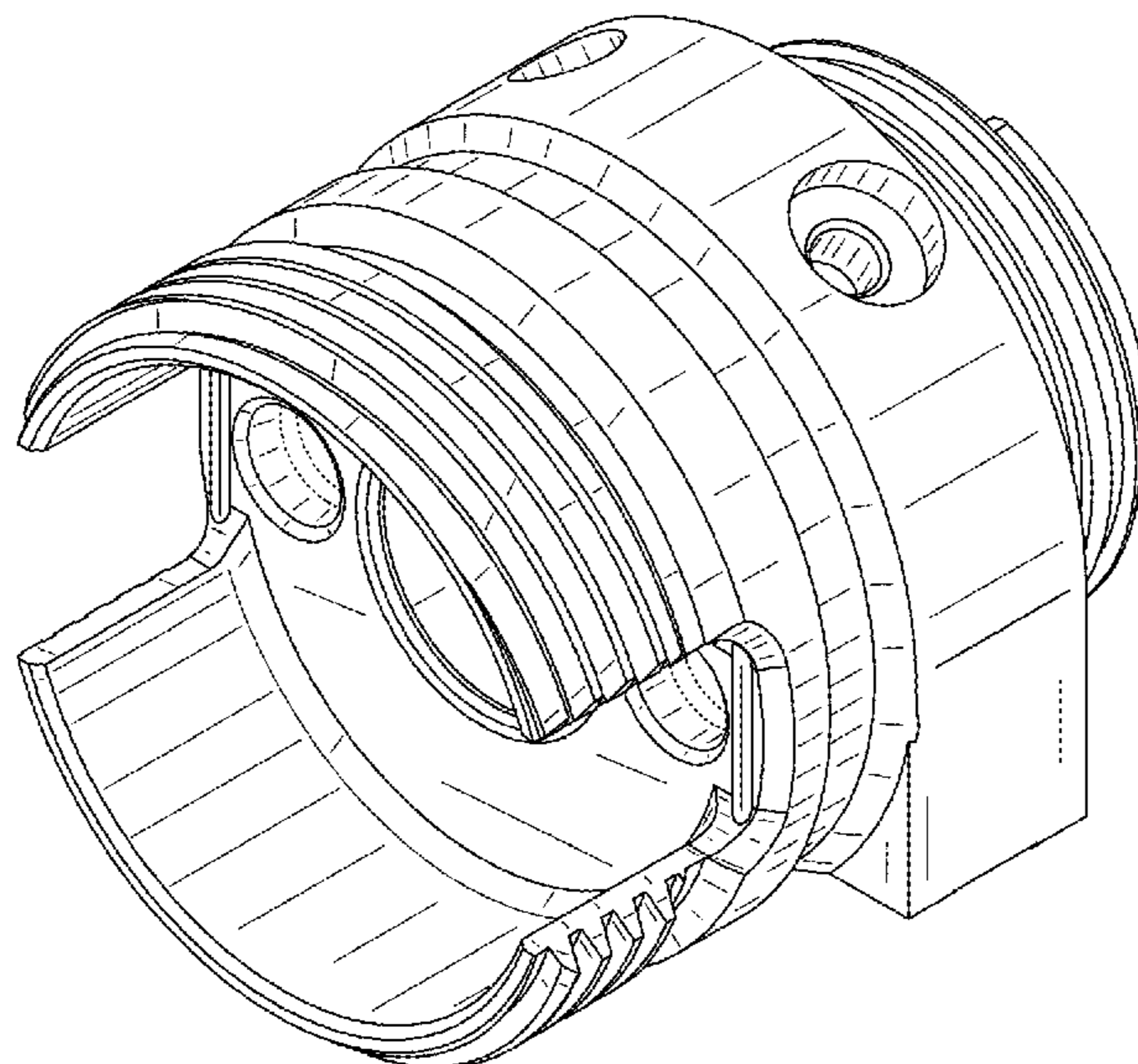
(57) **CLAIM**

The ornamental design for a fluid head retainer, as shown and described.

DESCRIPTION

FIG. 1 is a perspective view of a fluid head retainer; FIG. 2 is a front elevational view of the fluid head retainer; FIG. 3 is a rear elevational view of the fluid head retainer; FIG. 4 is a right side view of the fluid head retainer; FIG. 5 is a left side view of the fluid head retainer; FIG. 6 is a top plan view of the fluid head retainer; and, FIG. 7 is a bottom plan view of the fluid head retainer. The broken lines in the Figures represent portions of the fluid head retainer and form no part of the claimed design.

1 Claim, 7 Drawing Sheets



(56)

References Cited

U.S. PATENT DOCUMENTS

D693,427 S * 11/2013 Jones D23/213
D745,635 S * 12/2015 Schwarz D23/213
D749,693 S * 2/2016 Evans D23/213
9,802,213 B2 * 10/2017 Joseph B05B 7/2408
D881,456 S * 4/2020 Chen D27/162
D891,578 S * 7/2020 Stech D23/213
D904,563 S * 12/2020 Ross D23/213
2007/0034713 A1 * 2/2007 Wang B05B 1/3026
239/263
2007/0164129 A1 * 7/2007 Doner B05B 7/2435
239/353
2011/0073680 A1 * 3/2011 Pellin B05B 9/01
239/526
2013/0140225 A1 * 6/2013 Decock B65D 47/2087
210/321.6
2015/0202637 A1 * 7/2015 Nikles B05B 15/00
239/71
2016/0001307 A1 * 1/2016 Schurle E03C 1/0408
239/468
2020/0129999 A1 * 4/2020 Ross B05B 7/2497

OTHER PUBLICATIONS

First Examination Report for IN Application No. 326136-001, dated Feb. 19, 2020, pp. 2.

* cited by examiner

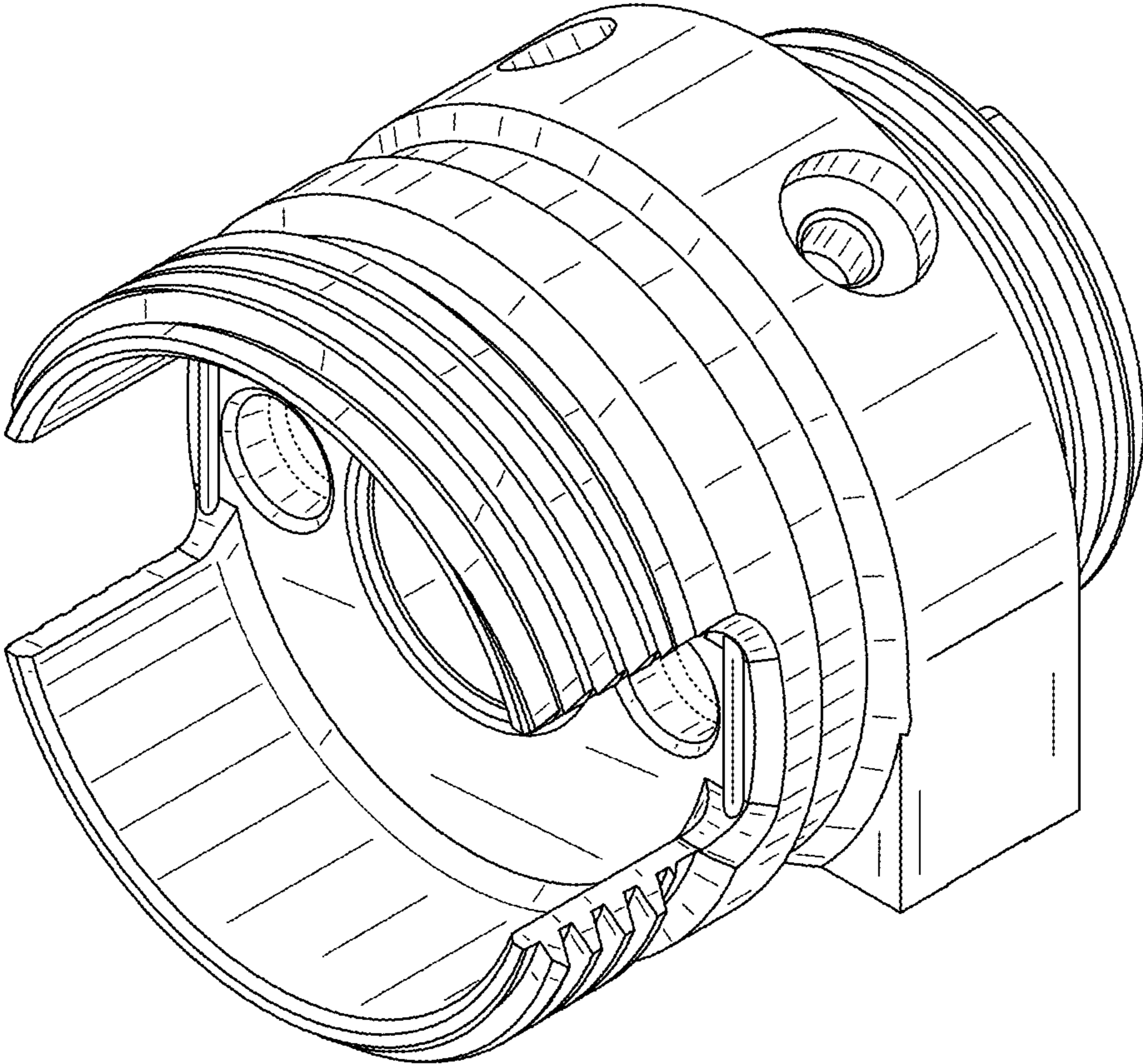


Fig. 1

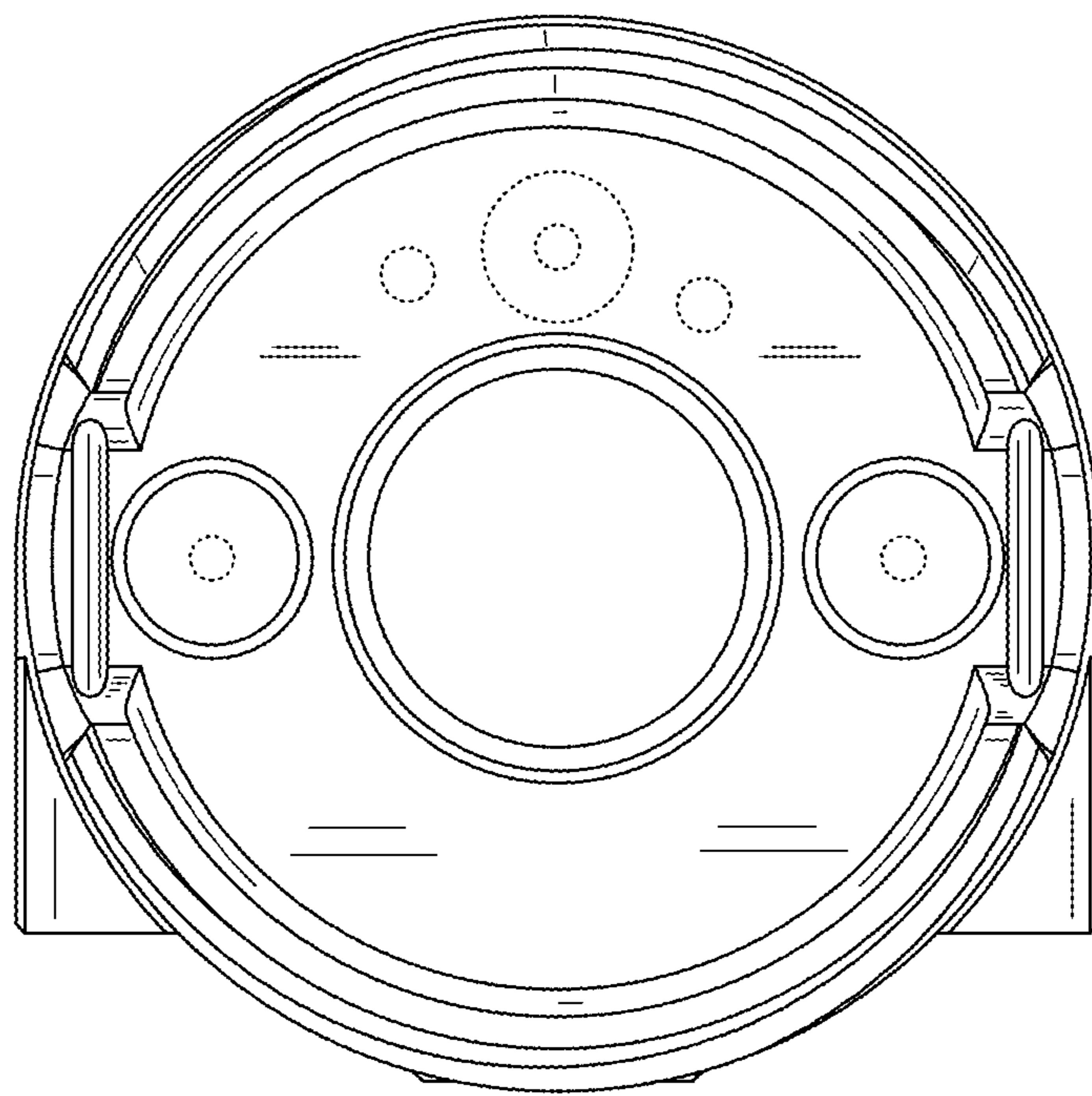


Fig. 2

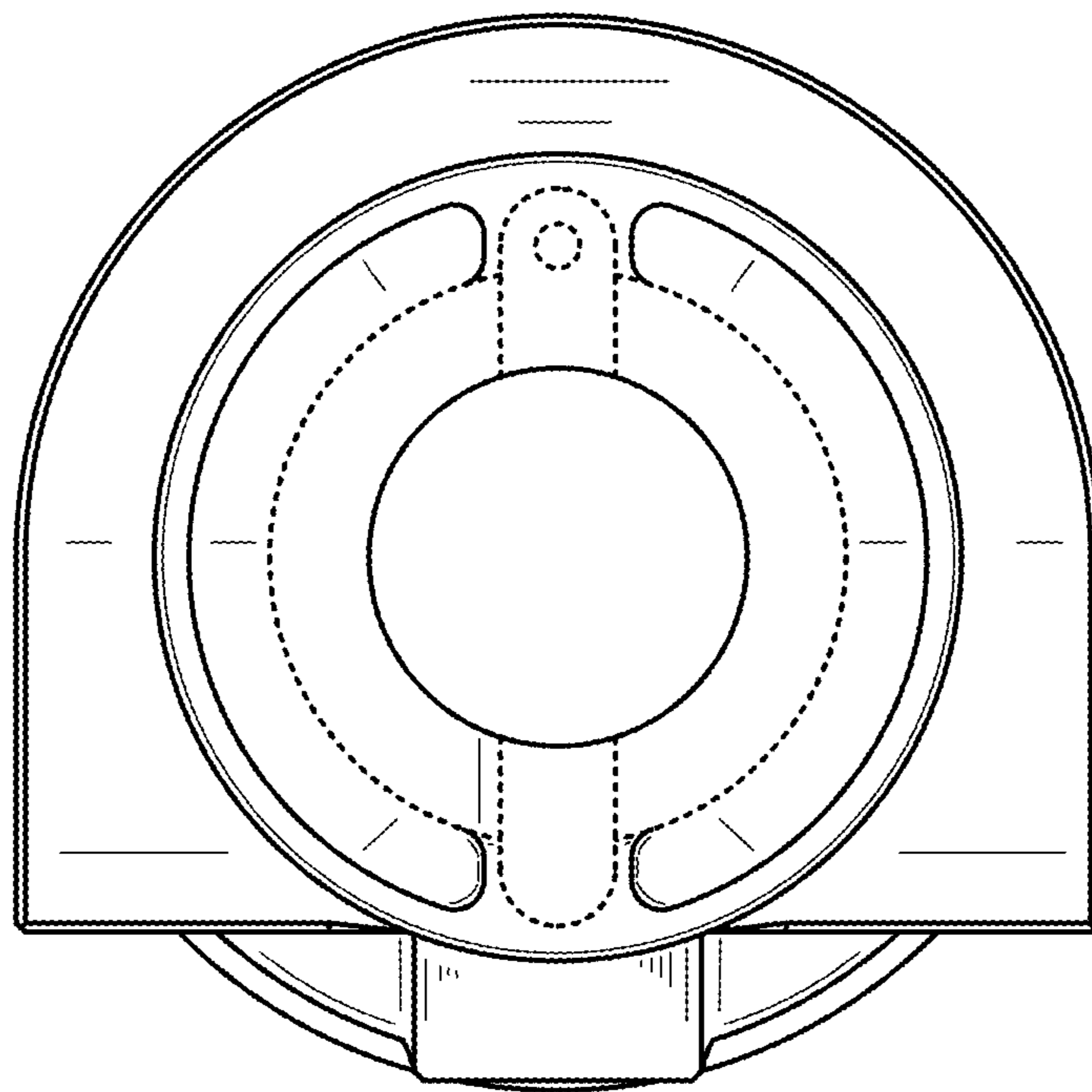


Fig. 3

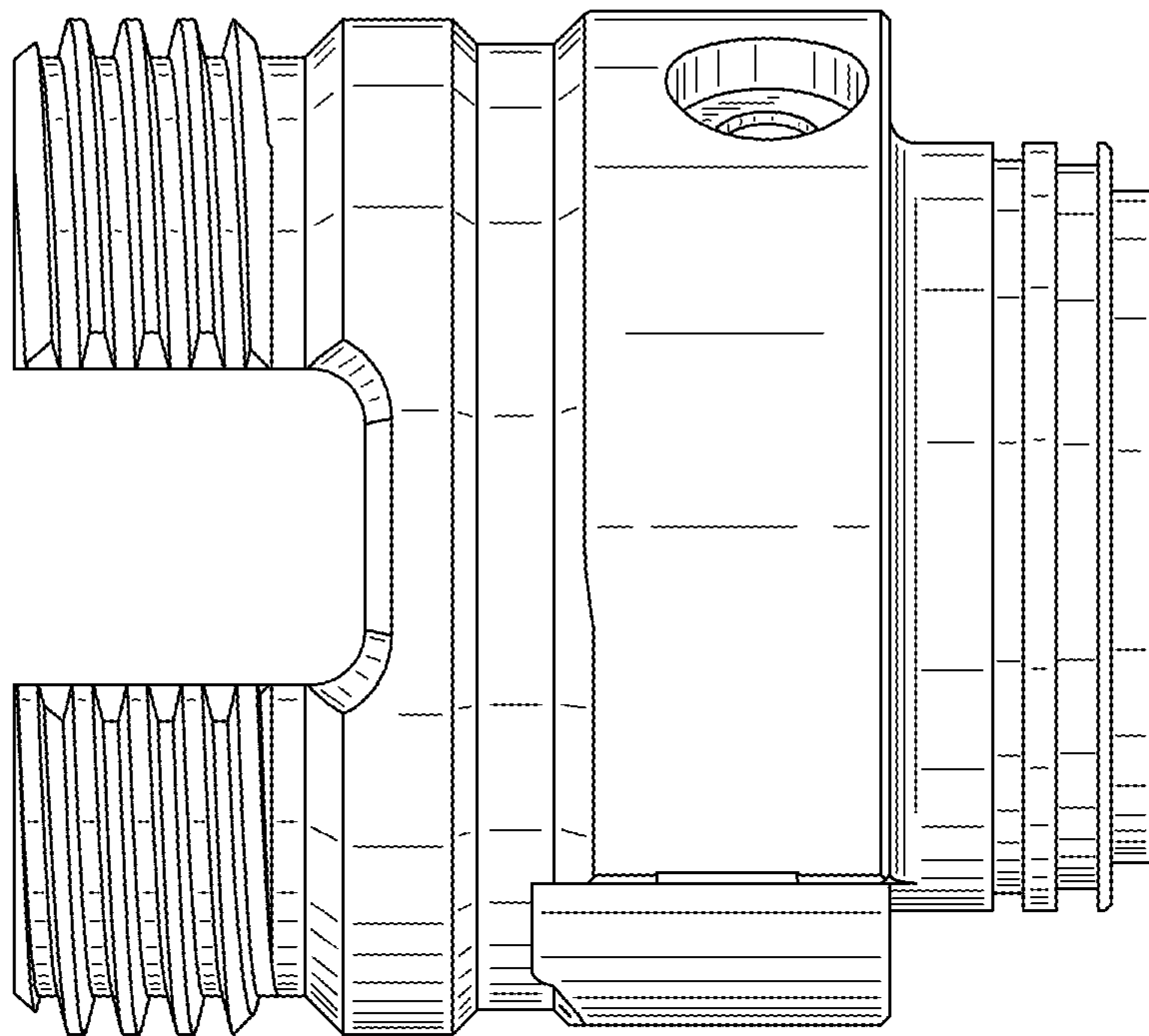


Fig. 4

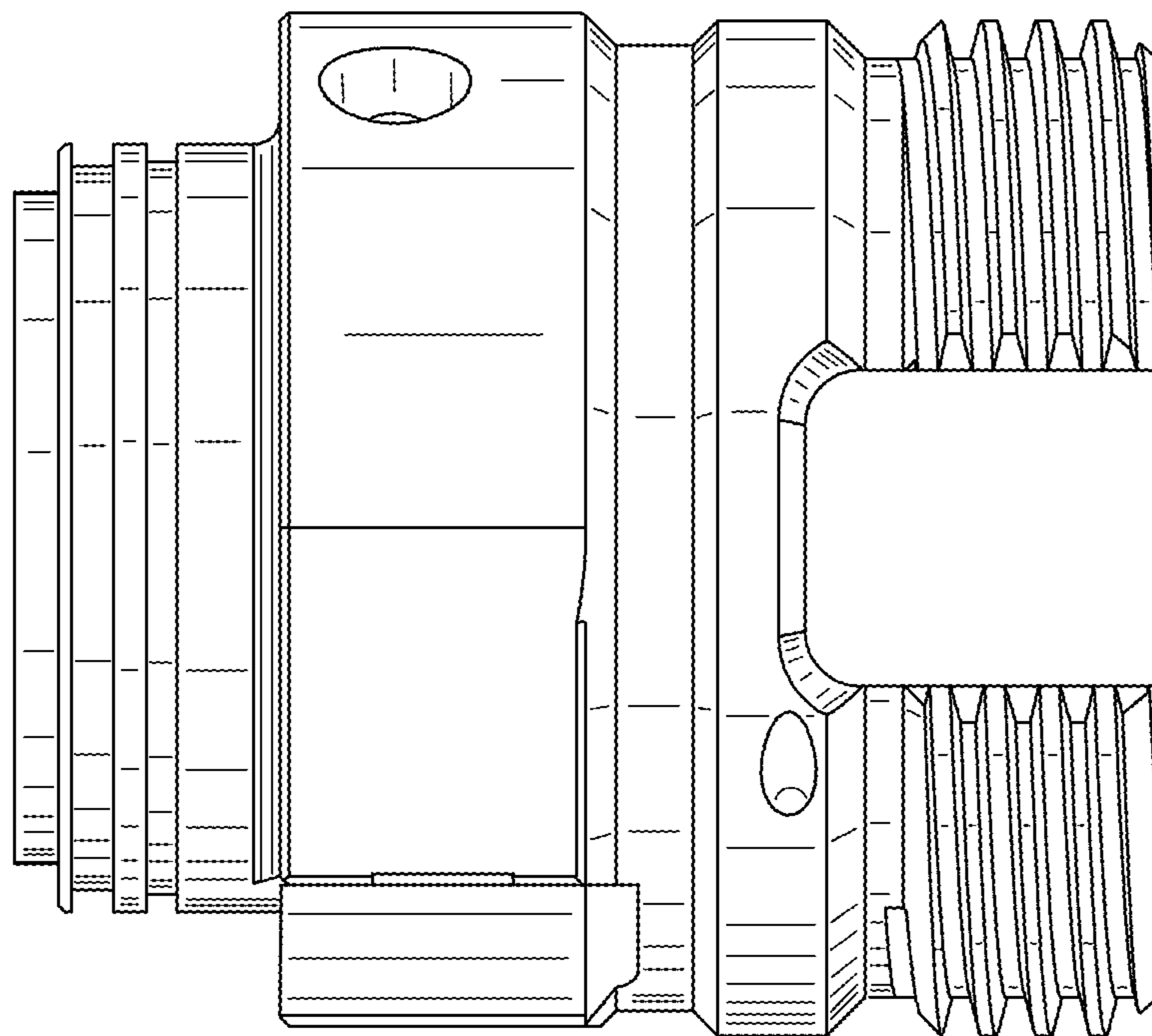


Fig. 5

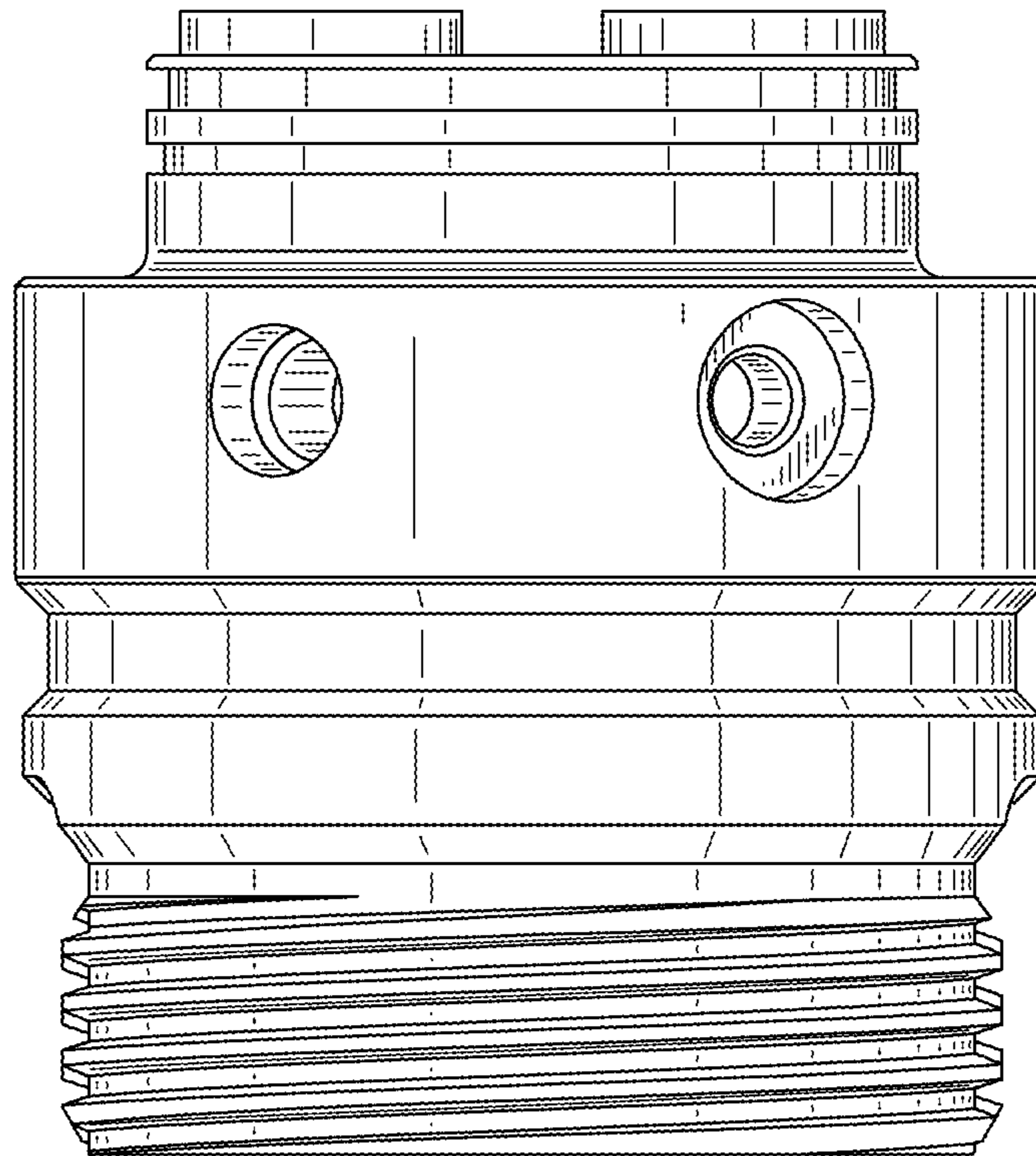


Fig. 6

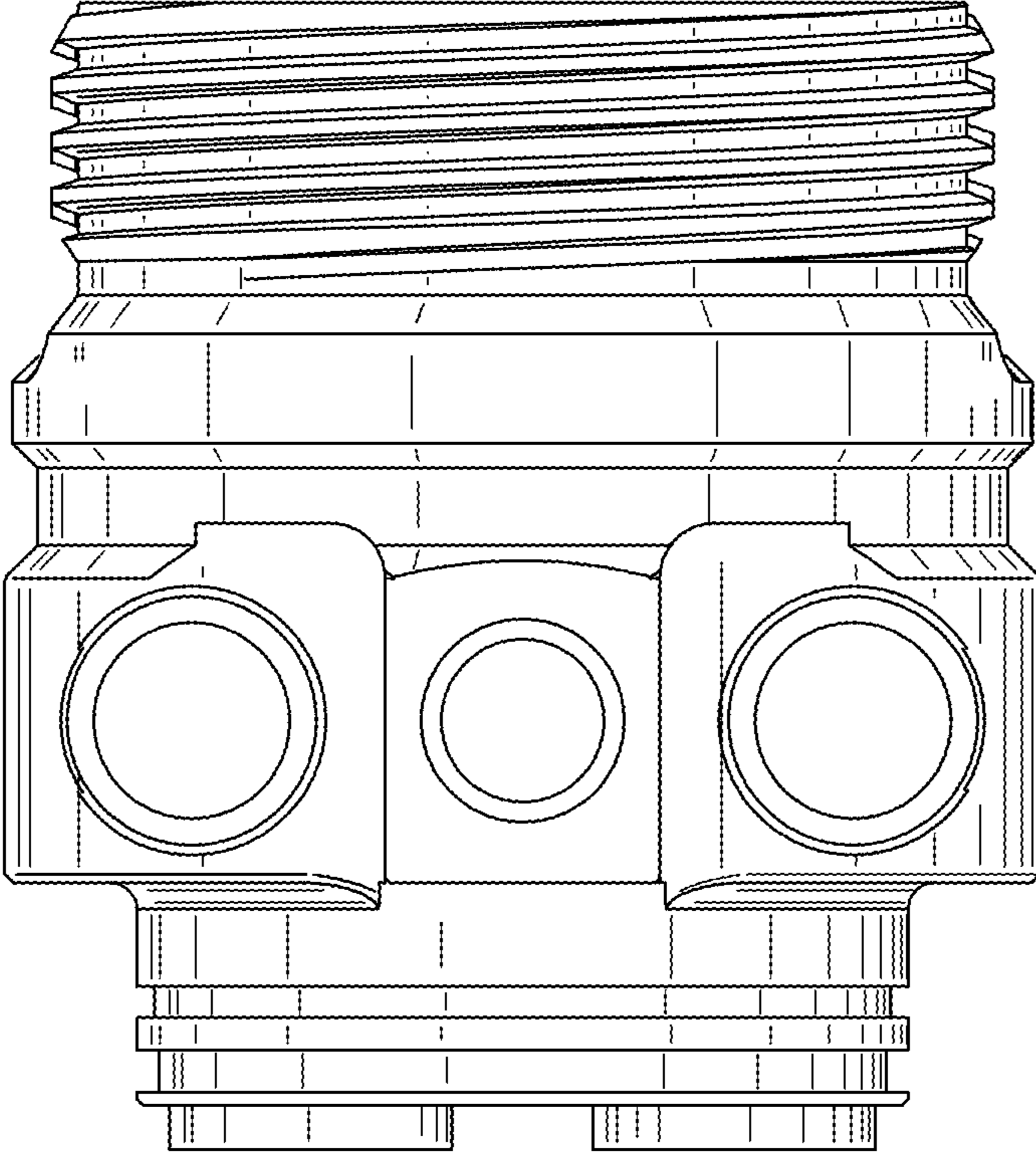


Fig. 7