



US00D926921S

(12) **United States Design Patent**
Garland

(10) **Patent No.:** **US D926,921 S**

(45) **Date of Patent:** **** Aug. 3, 2021**

(54) **SHOWERHEAD**

(71) Applicant: **DELTA FAUCET COMPANY,**
Indianapolis, IN (US)

(72) Inventor: **Celine Kwok Garland,** Zionsville, IN
(US)

(73) Assignee: **DELTA FAUCET COMPANY,**
Indianapolis, IN (US)

(**) Term: **15 Years**

(21) Appl. No.: **29/693,307**

(22) Filed: **May 31, 2019**

(51) **LOC (13) Cl.** **23-01**

(52) **U.S. Cl.**
USPC **D23/213**

(58) **Field of Classification Search**
USPC D23/213, 214, 215, 223, 224, 226, 229,
D23/230

CPC A61H 9/0021; A61H 33/00; B05B 1/00;
B05B 1/14; B05B 1/185; B05B 1/08;
B05B 1/02; B05B 1/26; B05B 12/002;
B05B 1/18; B05B 9/01

See application file for complete search history.

(56) **References Cited**

U.S. PATENT DOCUMENTS

D346,429 S * 4/1994 Warshawsky D23/213
D355,020 S * 1/1995 Mehoudar D23/213
D355,242 S * 2/1995 Warshawsky D23/213
D417,716 S * 12/1999 Warshawsky D23/213
D417,903 S * 12/1999 Warshawsky D23/213

D472,958 S * 4/2003 Ouyoung D23/213
D479,301 S * 9/2003 Ouyoung D23/213
D494,655 S * 8/2004 Lin D23/213
D552,713 S * 10/2007 Rexach D23/213
D588,229 S * 3/2009 Lammel D23/213
D751,172 S * 3/2016 Bahler D23/213
D763,408 S * 8/2016 Garland D23/213
D809,095 S * 1/2018 Baker D23/213
D857,160 S * 8/2019 Eads D23/213
D870,236 S * 12/2019 Eads D23/213

OTHER PUBLICATIONS

<https://www.amazon.com/HAOXIN-Shut-Off-Pressure-Function-Showerheads/dp/B07FZF8H6B/> (Year: 2018).*

* cited by examiner

Primary Examiner — Jack Reickel

Assistant Examiner — Keith J Wilson

(74) *Attorney, Agent, or Firm* — Nirav D. Parikh; Edgar
A. Zarins

(57) **CLAIM**

The ornamental design for a showerhead, as shown and described.

DESCRIPTION

FIG. 1 is a front perspective view of a showerhead showing my new design;

FIG. 2 is a rear perspective view thereof;

FIG. 3 is a front elevational view thereof;

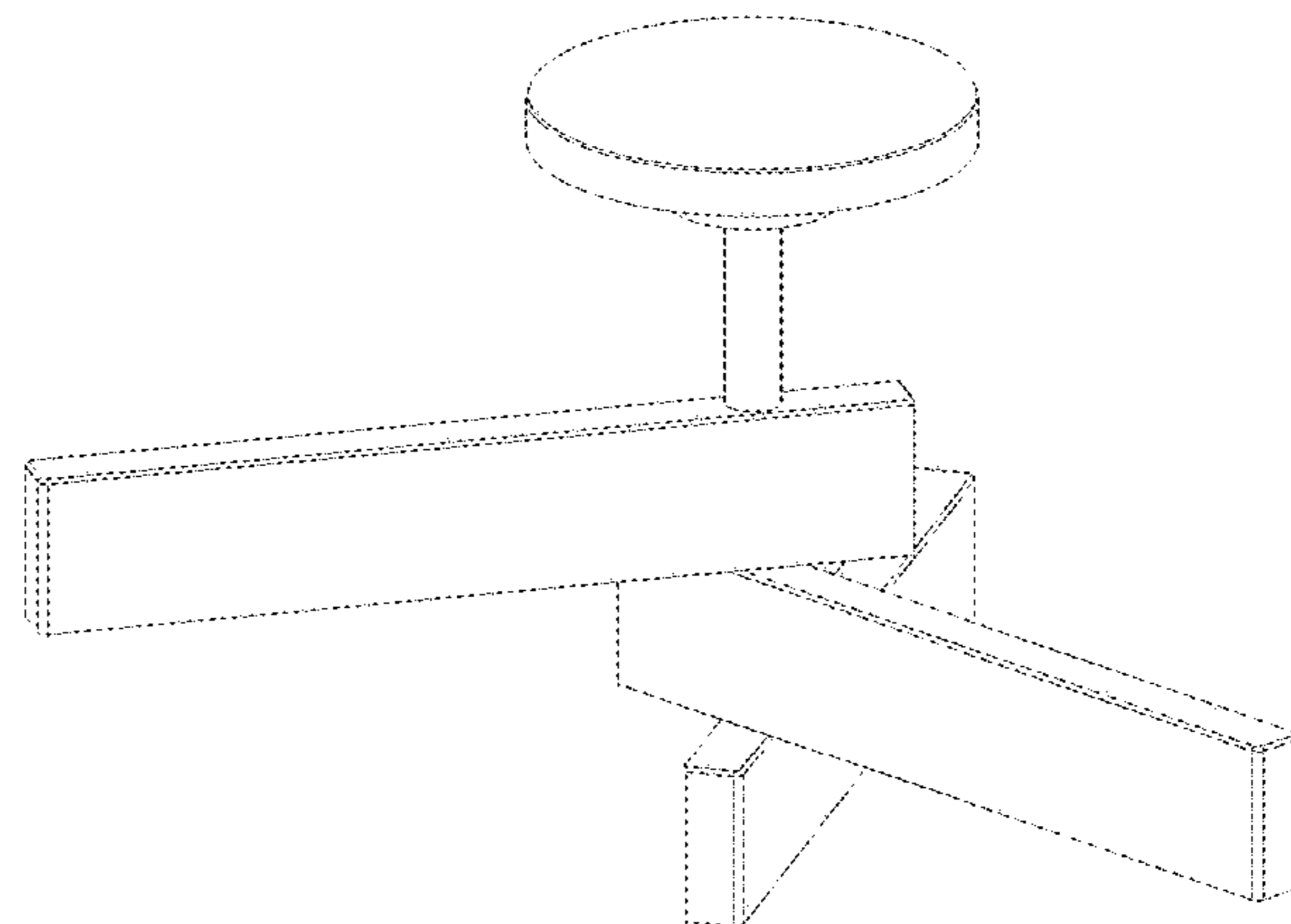
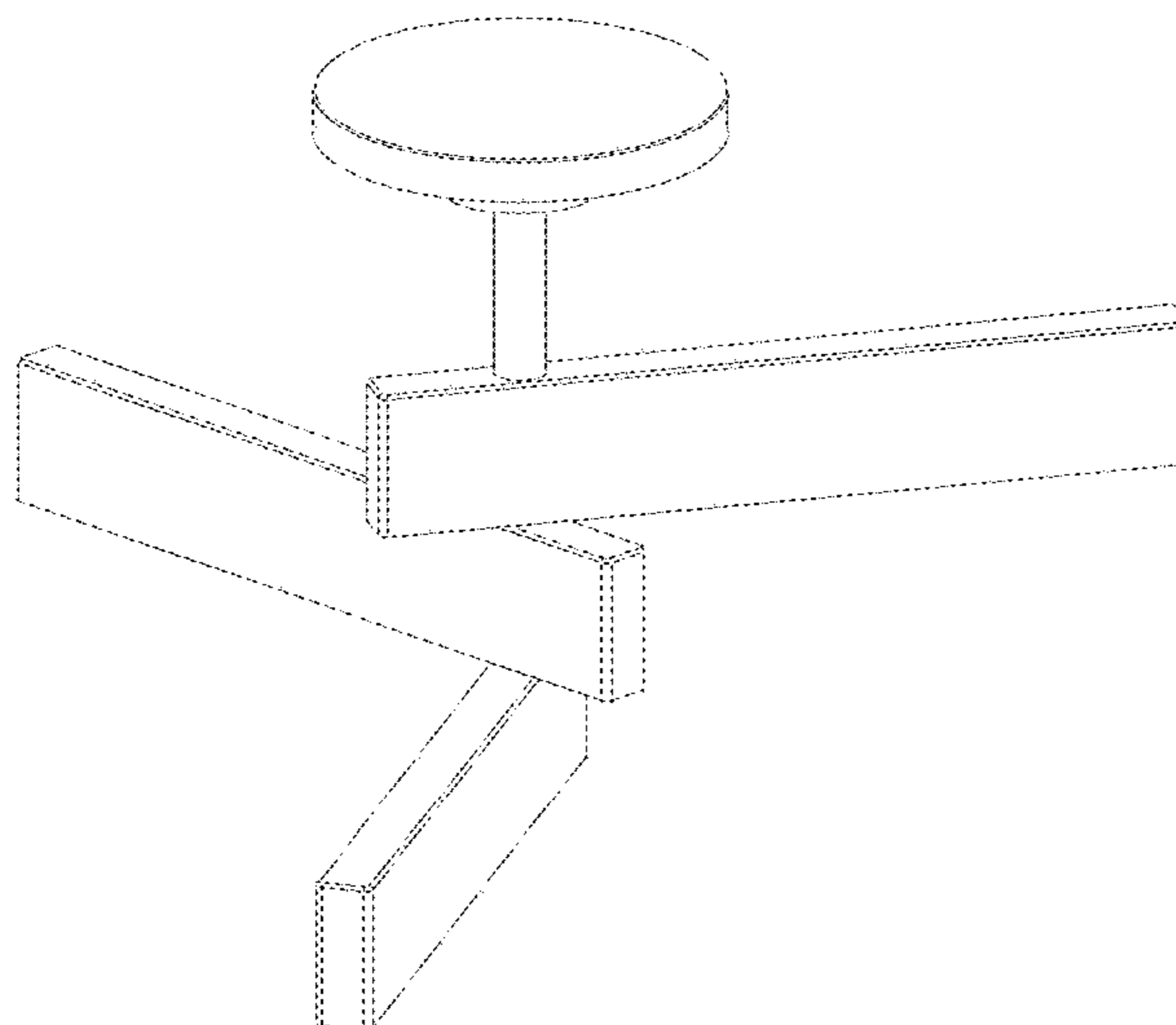
FIG. 4 is a left side view thereof;

FIG. 5 is a rear view thereof;

FIG. 6 is a right side view thereof; and,

FIG. 7 is a top plan view thereof.

1 Claim, 4 Drawing Sheets



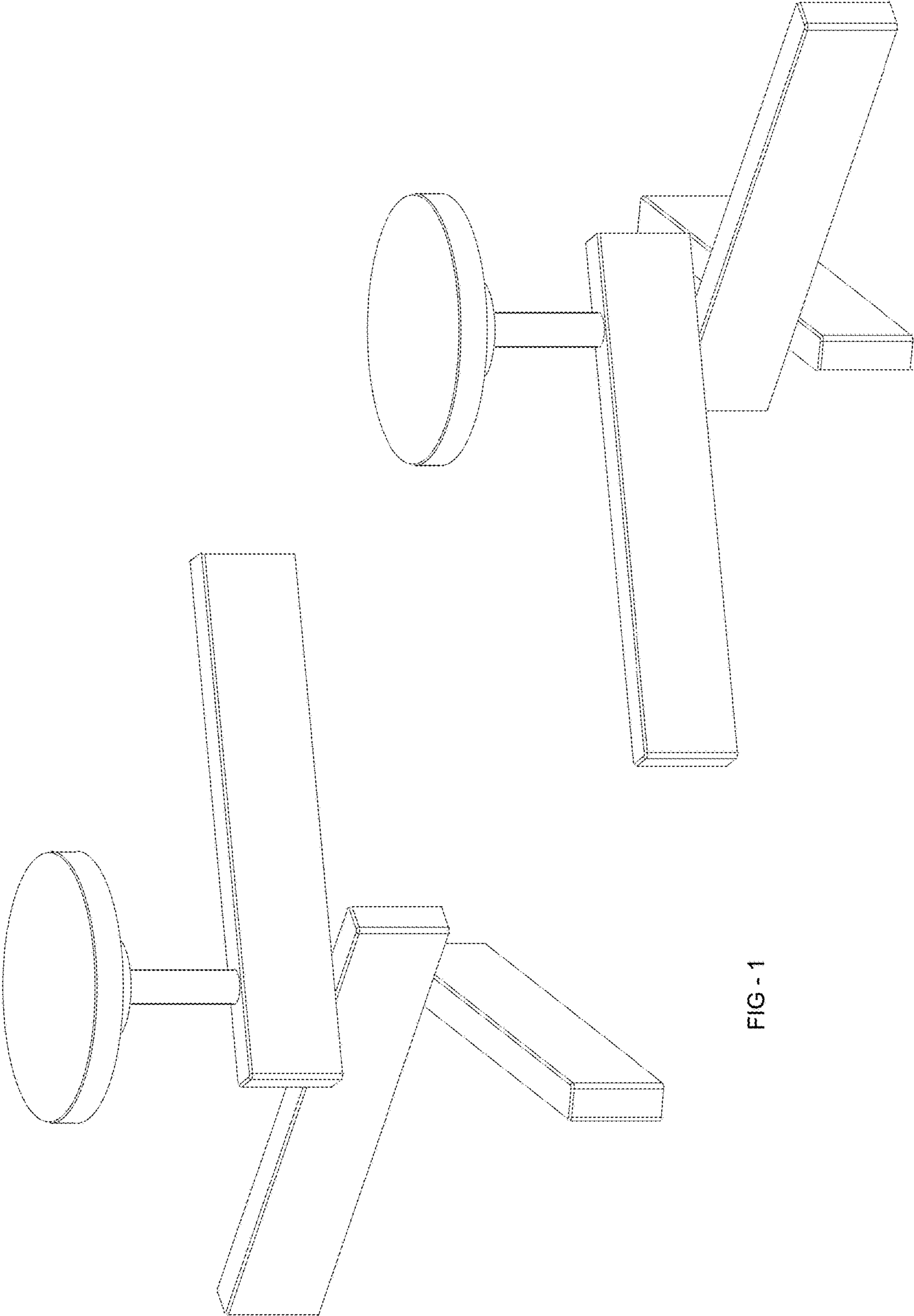


FIG - 1

FIG - 2

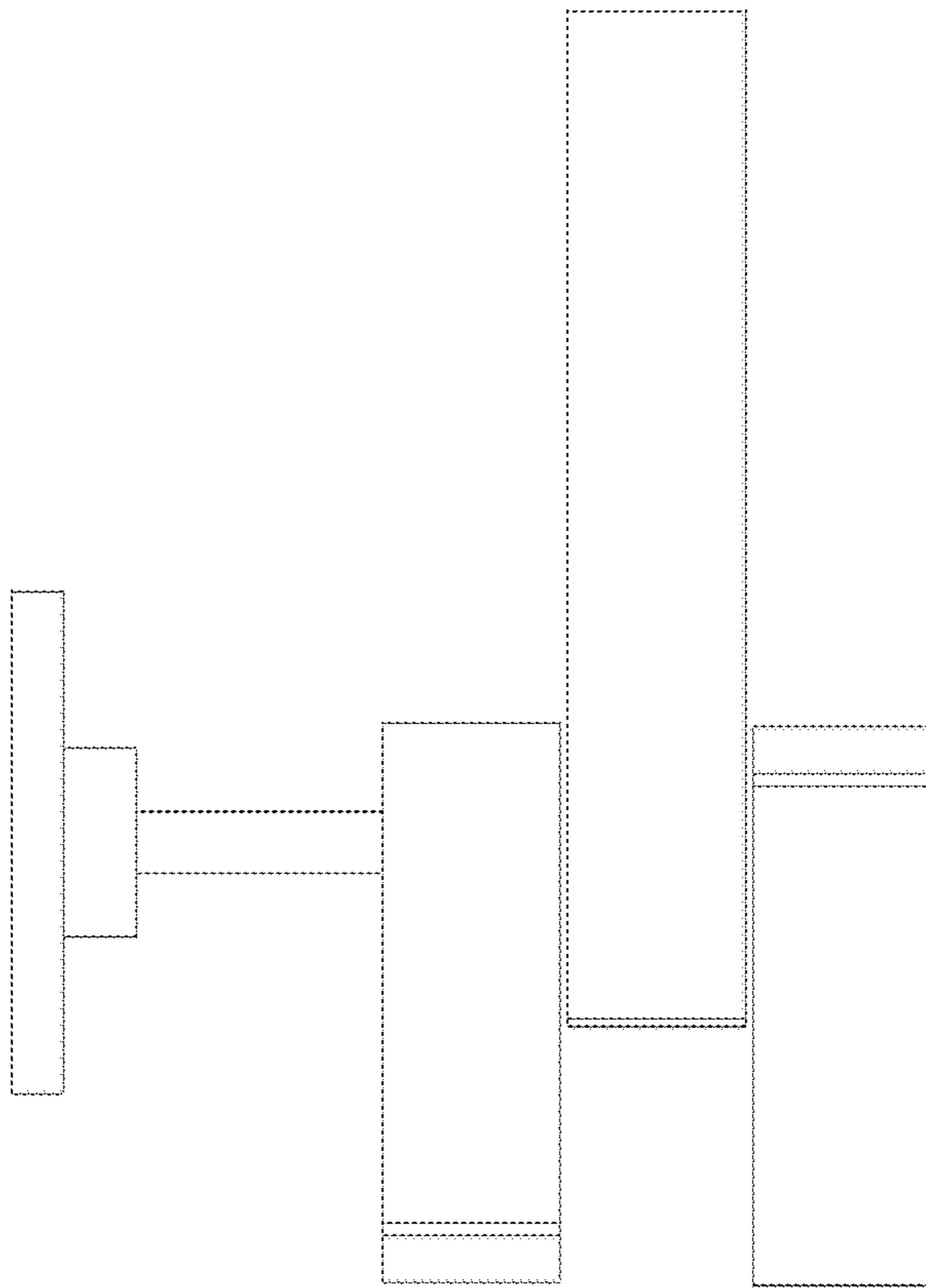


FIG - 4

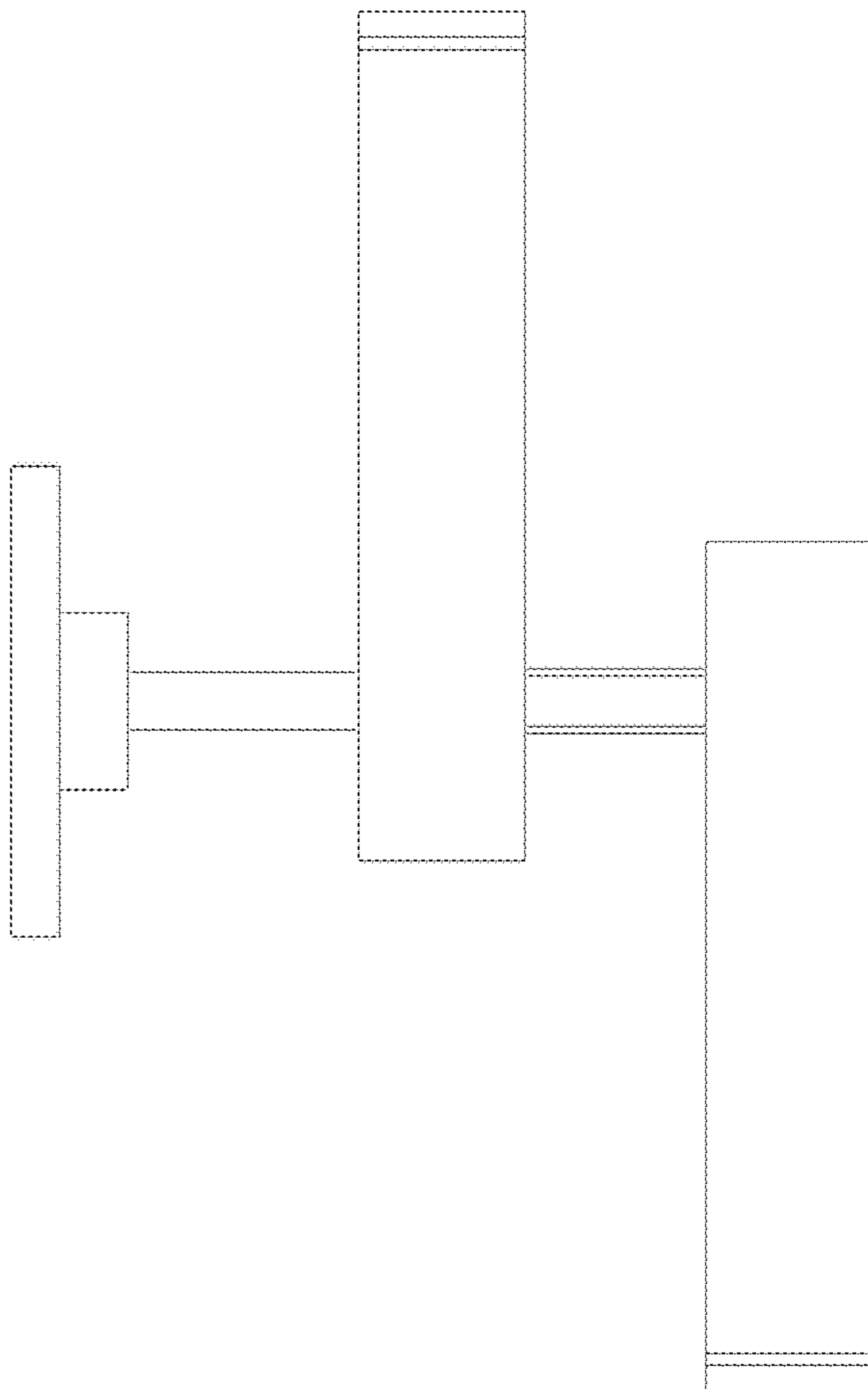


FIG - 3

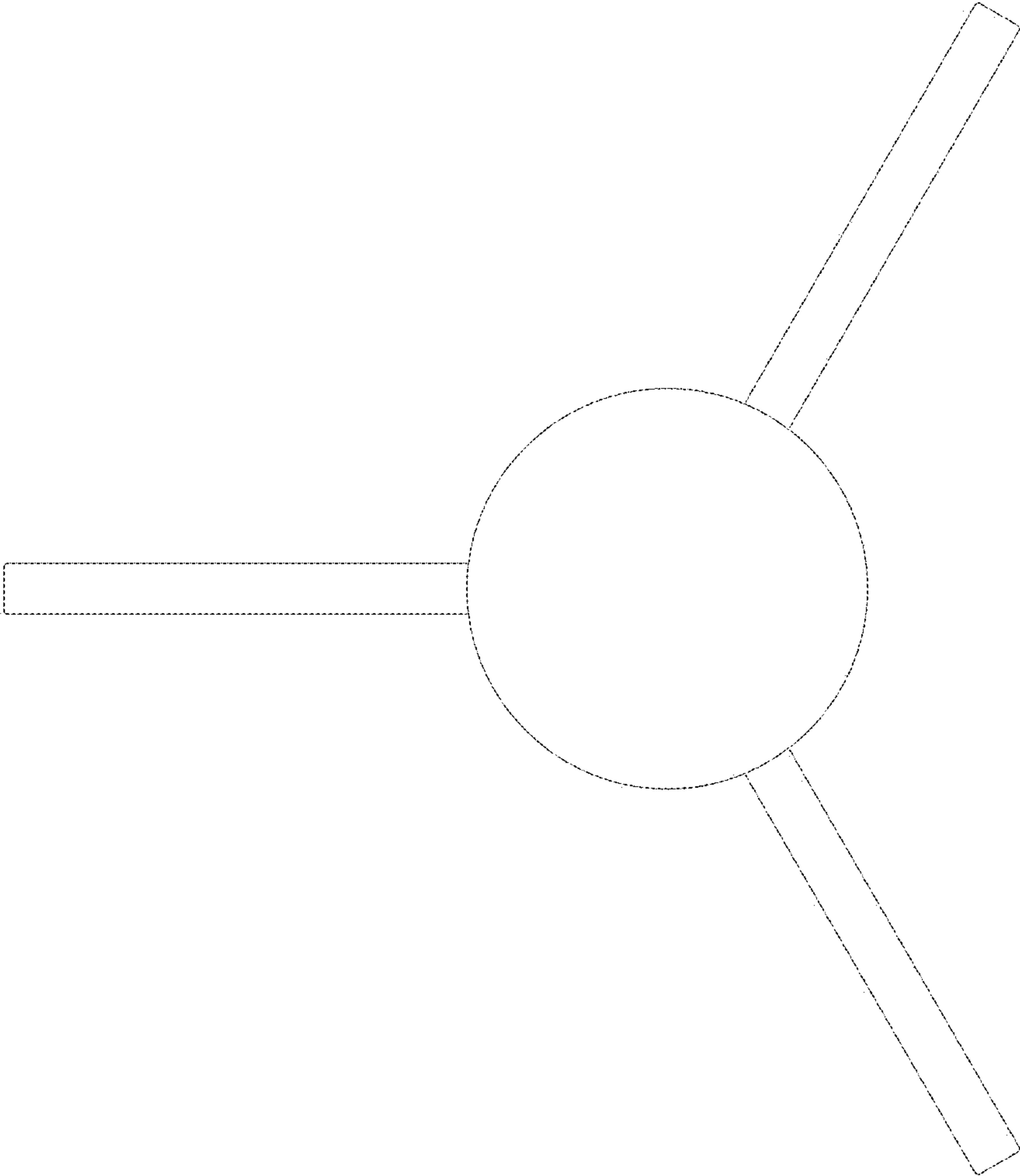


FIG - 7