

US00D926919S

(12) **United States Design Patent**  
**McNeil**

(10) **Patent No.:** **US D926,919 S**

(45) **Date of Patent:** **\*\* Aug. 3, 2021**

(54) **FILTER CAP**

(71) Applicant: **P.C. Vaughan Manufacturing Corporation**, Oxnard, CA (US)

(72) Inventor: **John C. McNeil**, Shelburne, VT (US)

(73) Assignee: **P.C. Vaughan Manufacturing Corp.**, Oxnard, CA (US)

(\*\*) Term: **15 Years**

(21) Appl. No.: **29/723,117**

(22) Filed: **Feb. 4, 2020**

(51) **LOC (13) Cl.** ..... **23-01**

(52) **U.S. Cl.**  
USPC ..... **D23/209**

(58) **Field of Classification Search**  
USPC ..... D23/207, 208, 209, 210  
CPC ..... B01D 61/00; B01D 63/00; C02F 1/002;  
C02F 1/003; C02F 1/005; C02F 2307/02;  
C02F 2307/04; C02F 2307/06; C02F  
2307/10

See application file for complete search history.

(56) **References Cited**

**U.S. PATENT DOCUMENTS**

6,638,426	B1 *	10/2003	Fritter	.....	B01D 36/001
					210/266
D550,819	S *	9/2007	Seehoff	.....	D23/261
D609,786	S *	2/2010	Grether	.....	D23/249
D625,772	S *	10/2010	Olson	.....	D23/207
D674,464	S *	1/2013	Wilder	.....	D23/209
D712,508	S *	9/2014	Du	.....	D23/209
D717,395	S *	11/2014	Neto	.....	D23/209
D720,045	S *	12/2014	Landi	.....	D23/233
D754,304	S *	4/2016	Morris	.....	D23/260
D793,525	S *	8/2017	Morris	.....	D23/209
10,273,164	B2 *	4/2019	Cappadona	.....	C02F 1/283
D858,695	S *	9/2019	Chen	.....	D23/209
D889,594	S *	7/2020	Fangman	.....	D23/207

(Continued)

**OTHER PUBLICATIONS**

“iFJF 3611274 Fuel Filter”, May 12, 2019, Amazon, site visited May 17, 2021: <https://www.amazon.com/dp/B07RNKLLFW/> (Year: 2019).\*

(Continued)

*Primary Examiner* — Jack Reickel

*Assistant Examiner* — Bobby W Jones, II

(74) *Attorney, Agent, or Firm* — Kevin Schraven; Anooj Patel; Hankin Patent Law, APC

(57) **CLAIM**

The ornamental design for a filter cap, as shown and described.

**DESCRIPTION**

FIG. 1 is a top perspective view of a first embodiment of a filter cap showing my new design.

FIG. 2 is a bottom perspective view thereof.

FIG. 3 is a left side elevational view thereof.

FIG. 4 is a right side elevational view thereof.

FIG. 5 is a front elevational view thereof.

FIG. 6 is a rear elevational view thereof.

FIG. 7 is a top plan view thereof.

FIG. 8 is a bottom plan view thereof.

FIG. 9 is a top perspective view of a second embodiment of a filter cap showing my new design.

FIG. 10 is a bottom perspective view thereof

FIG. 11 is a left side elevational view thereof.

FIG. 12 is a right side elevational view thereof.

FIG. 13 is a front elevational view thereof.

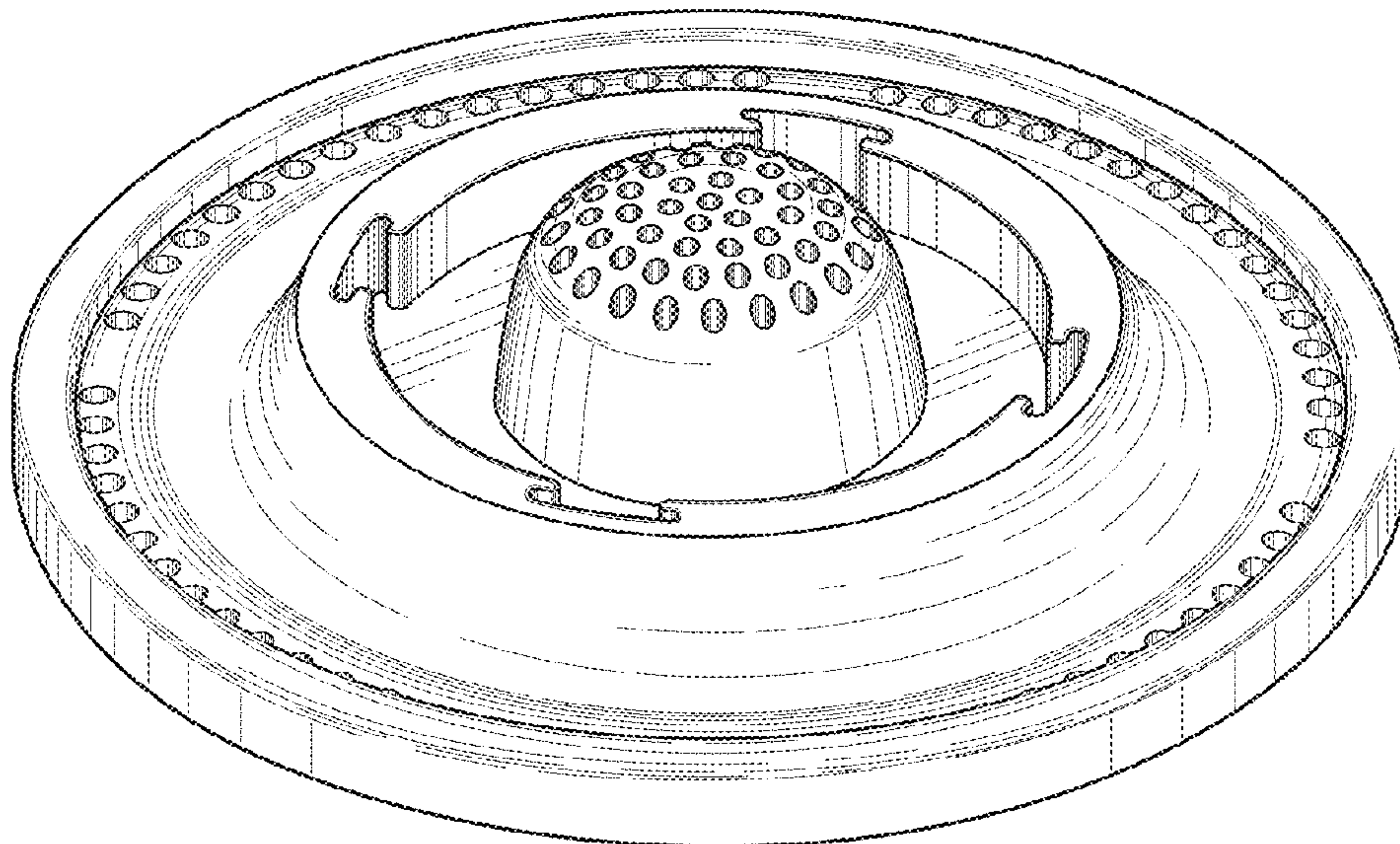
FIG. 14 is a rear side elevational view thereof.

FIG. 15 is a top plan view thereof; and,

FIG. 16 is a bottom plan view thereof.

The broken lines showing the filtration holes are unclaimed subject matter and form no part of the claimed design.

**1 Claim, 16 Drawing Sheets**



(56)

**References Cited**

U.S. PATENT DOCUMENTS

D903,490 S \* 12/2020 Bacher ..... A01G 9/0293  
D9/436  
D904,559 S \* 12/2020 Moza ..... D23/209  
2006/0163148 A1 \* 7/2006 Hengsperger ..... C02F 1/003  
210/473  
2006/0207003 A1 \* 9/2006 Harmes ..... A47K 1/14  
4/286  
2009/0127198 A1 \* 5/2009 Salvador ..... B01D 29/21  
210/650  
2012/0080372 A1 \* 4/2012 Ries ..... B01D 35/005  
210/440  
2013/0062266 A1 \* 3/2013 Horner ..... B01D 63/06  
210/137  
2014/0053327 A1 \* 2/2014 Lee ..... E03C 1/262  
4/287  
2016/0031724 A1 \* 2/2016 Kellam ..... B01D 24/38  
210/123  
2017/0007949 A1 \* 1/2017 Mayo ..... C02F 1/003  
2019/0008105 A1 \* 1/2019 Bacher ..... B65D 51/24  
2019/0283952 A1 \* 9/2019 Pawlick ..... B65D 25/04

OTHER PUBLICATIONS

“Masontops Bean Screen BS2WGB”, Dec. 14, 2017, Amazon, site visited May 17, 2021: <https://www.amazon.com/dp/B07899HNQM/> (Year: 2017).\*

\* cited by examiner

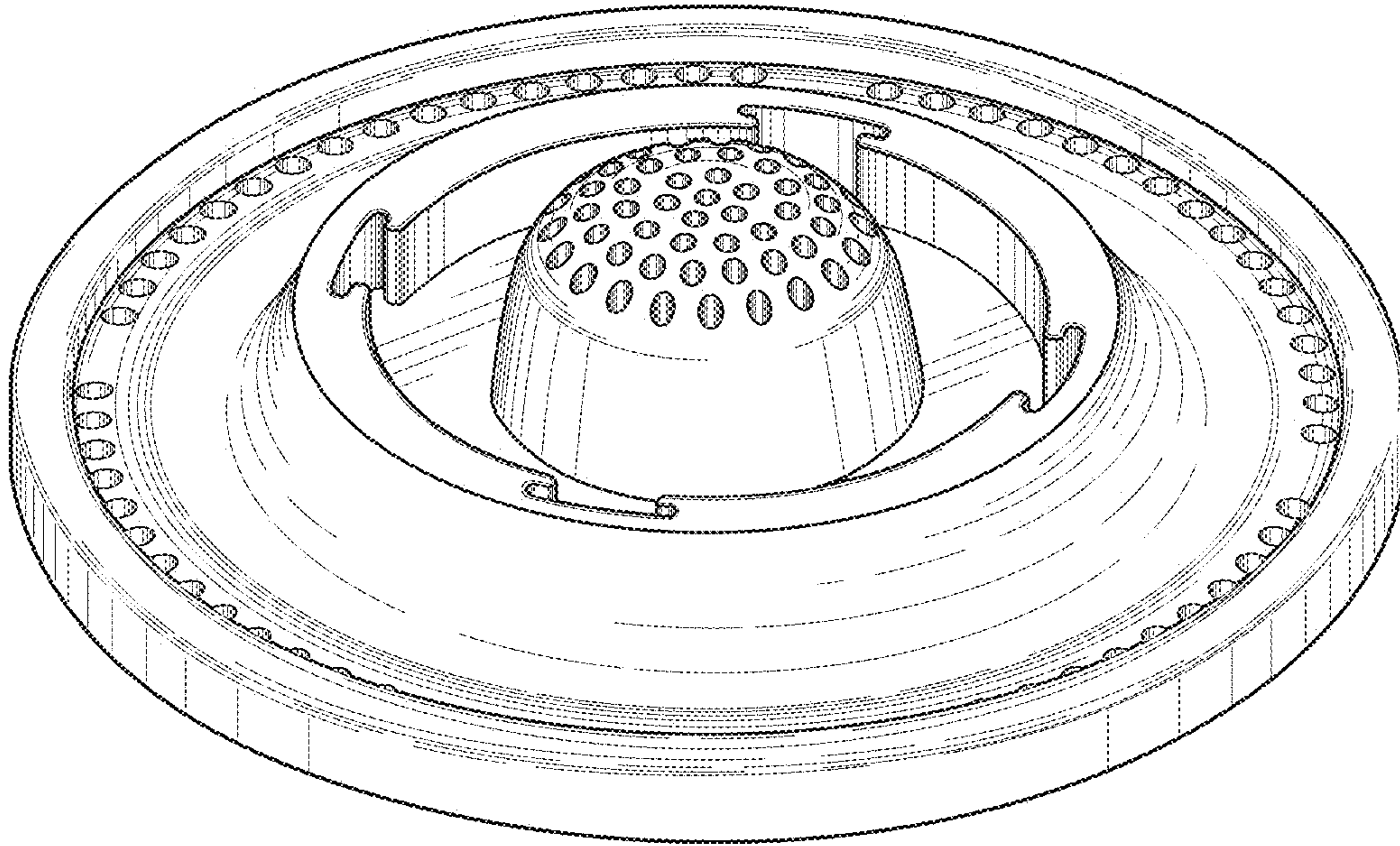


Fig. 1



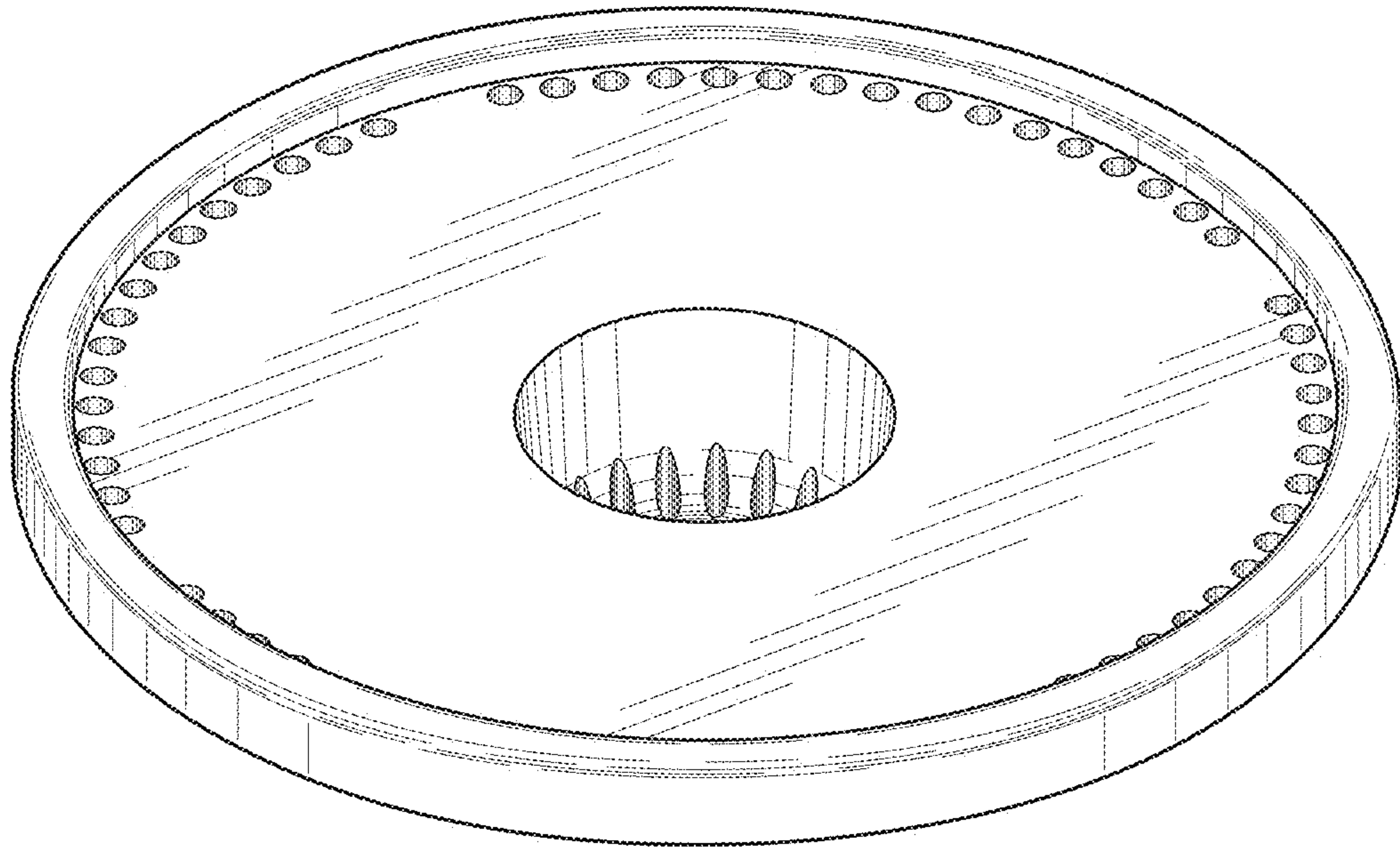


Fig.2

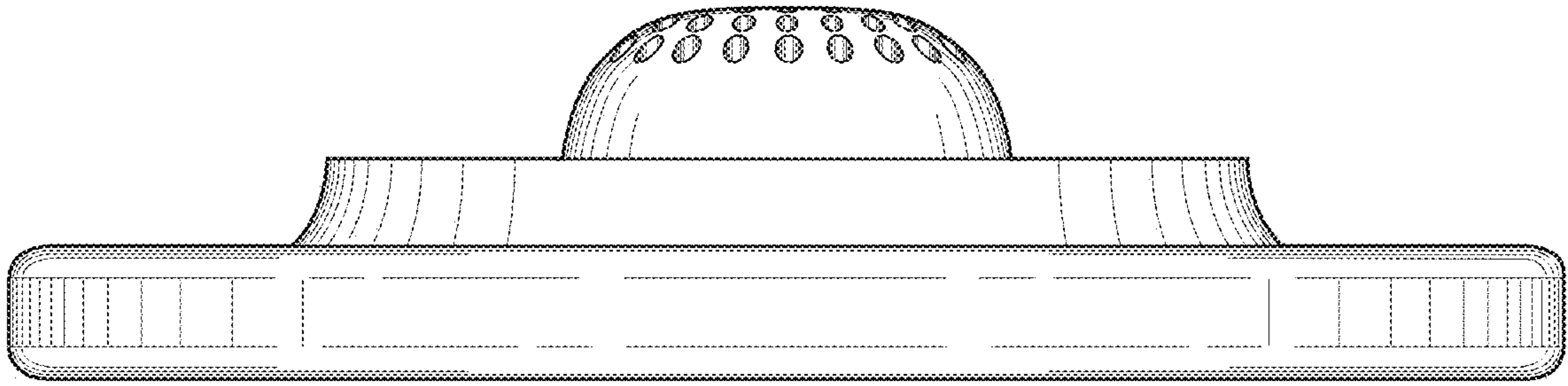


Fig.3

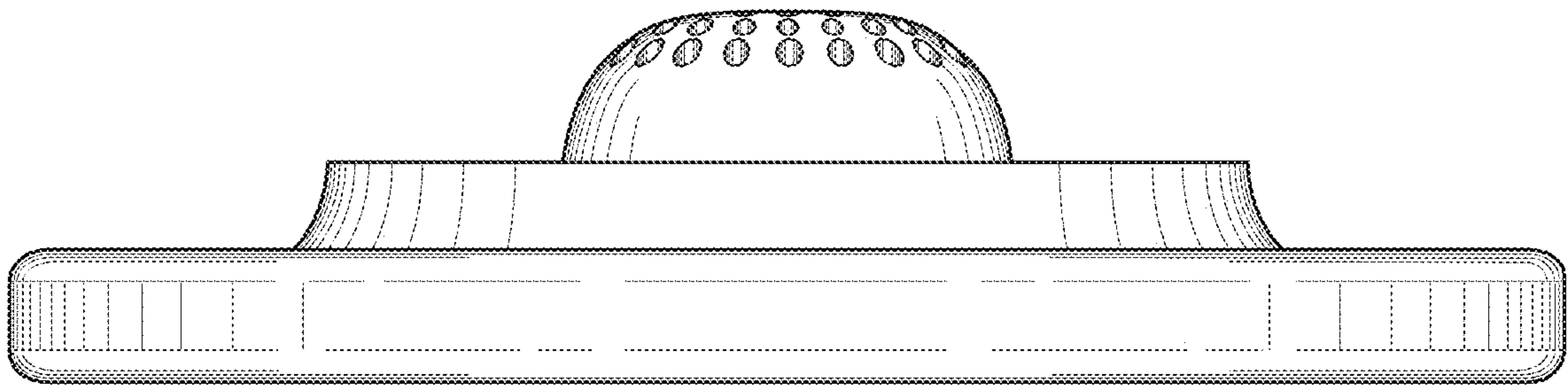


Fig.4

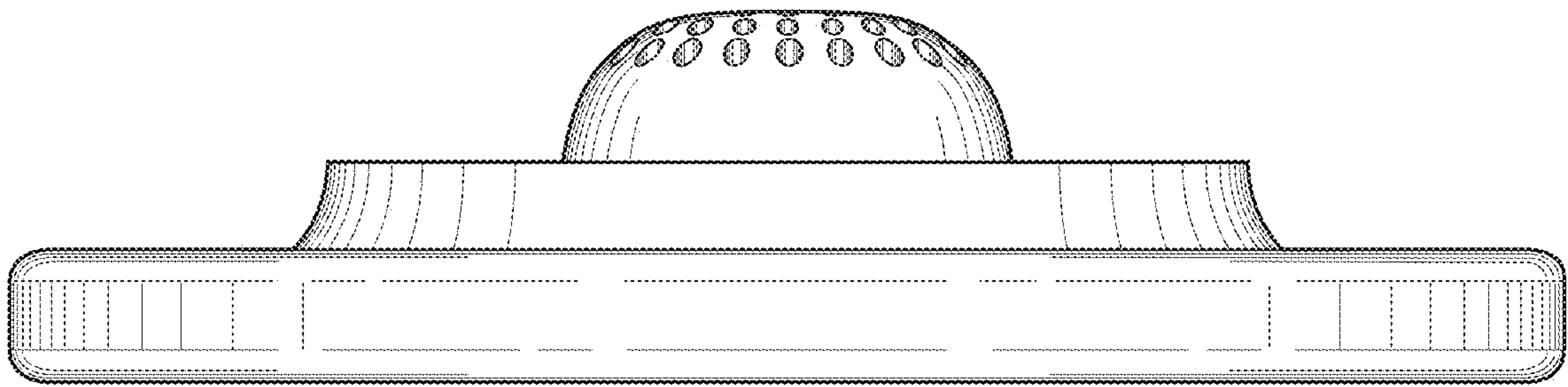


Fig.5

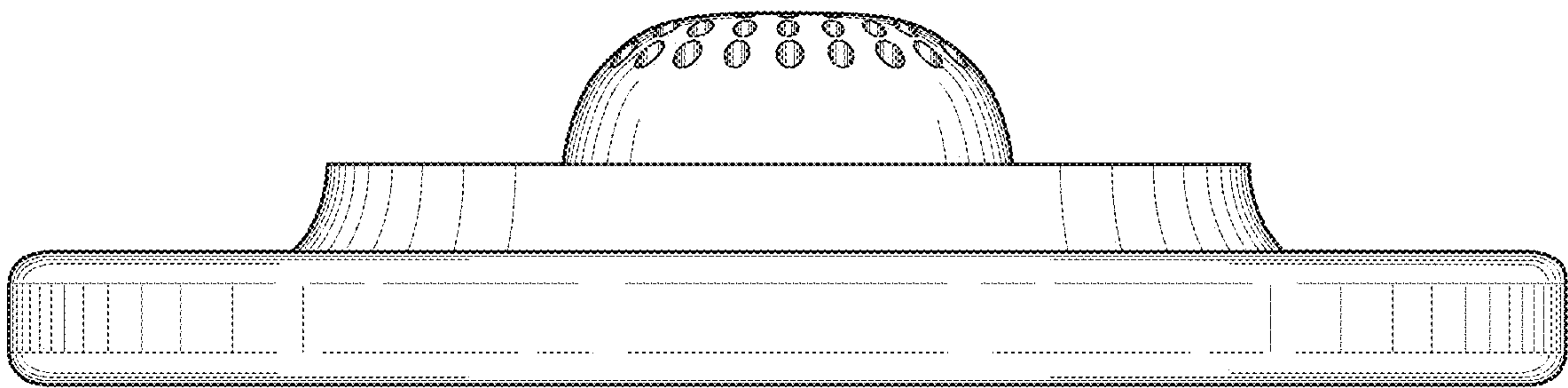


Fig.6



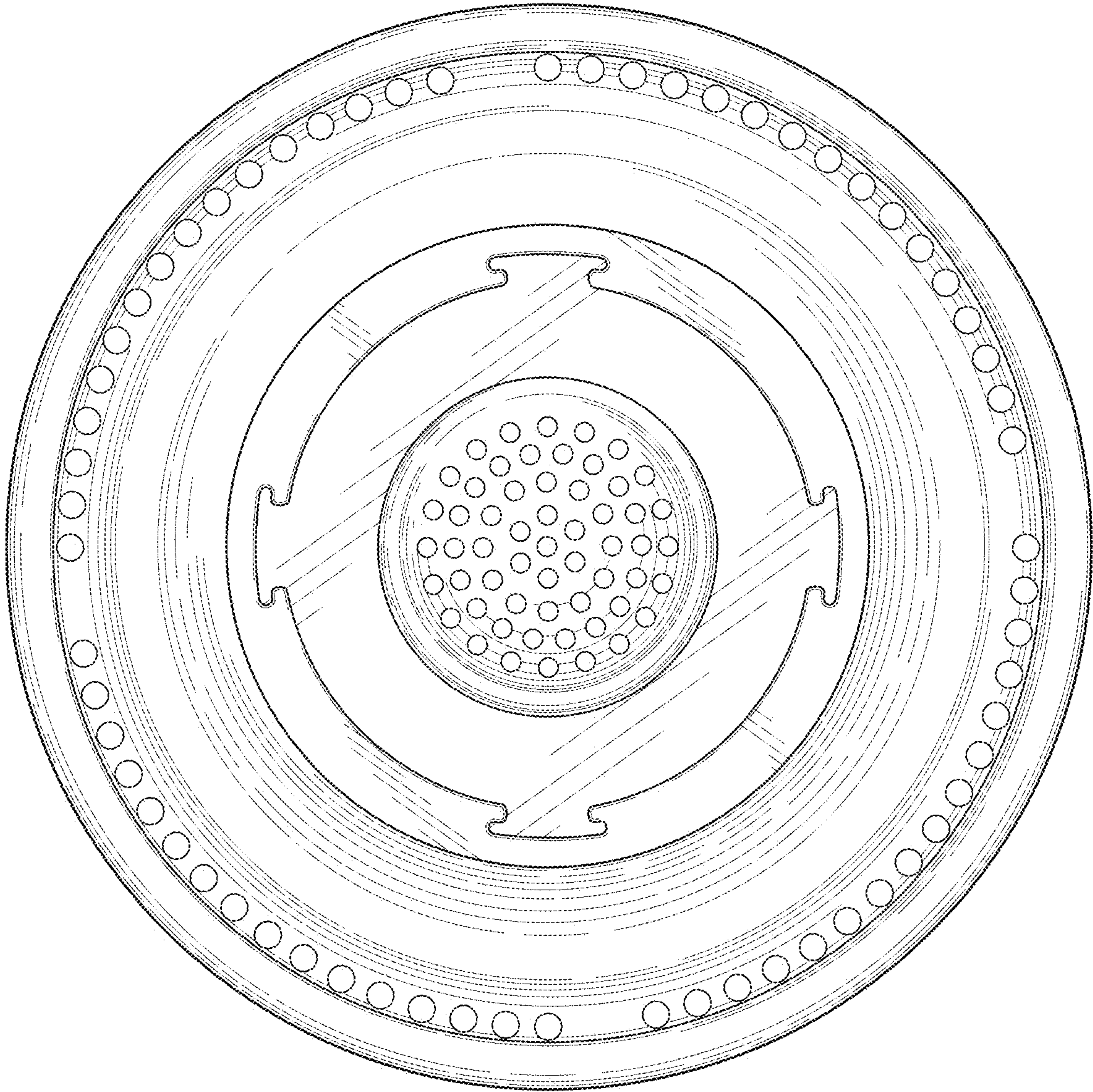


Fig. 7

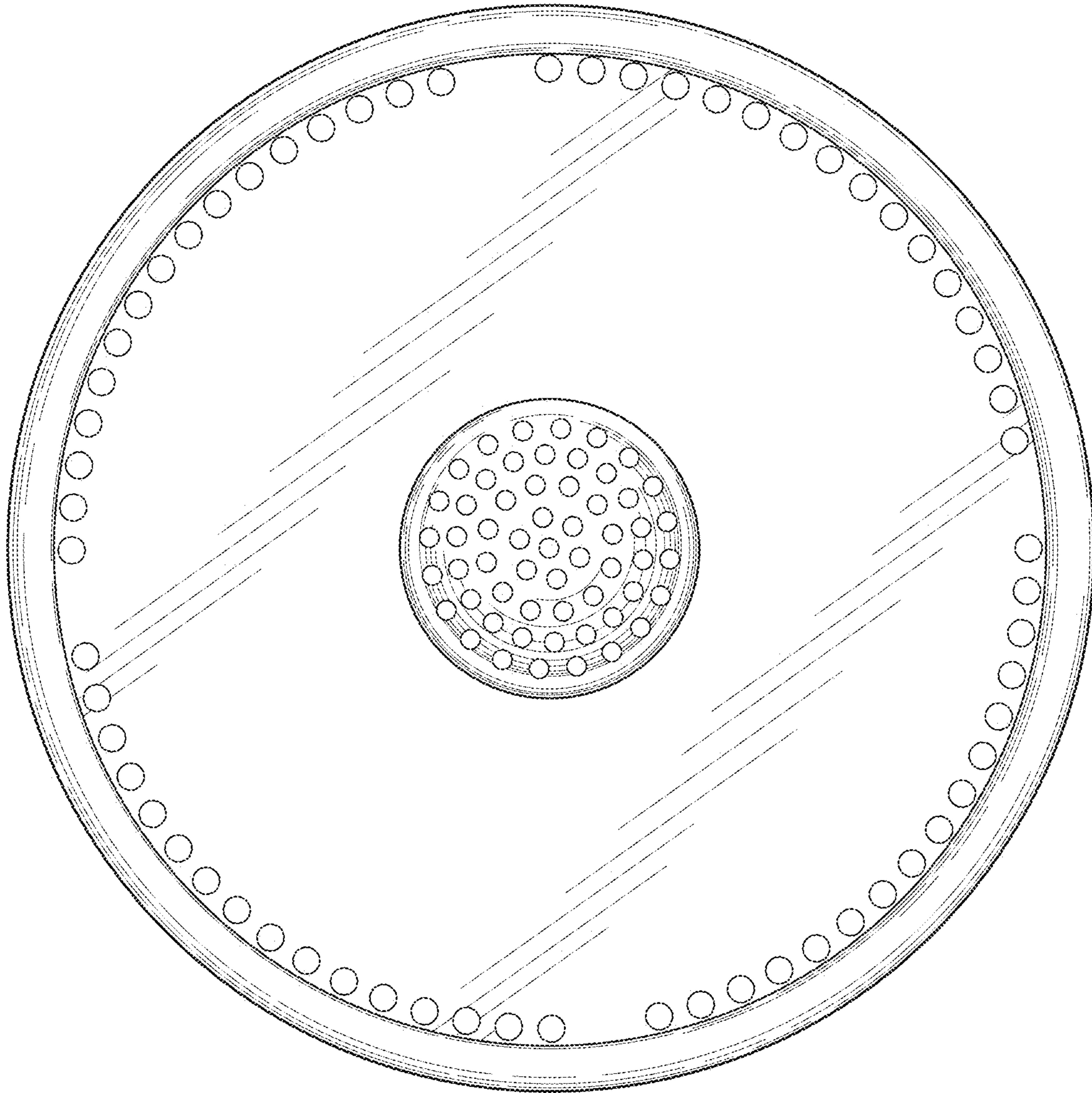


Fig.8



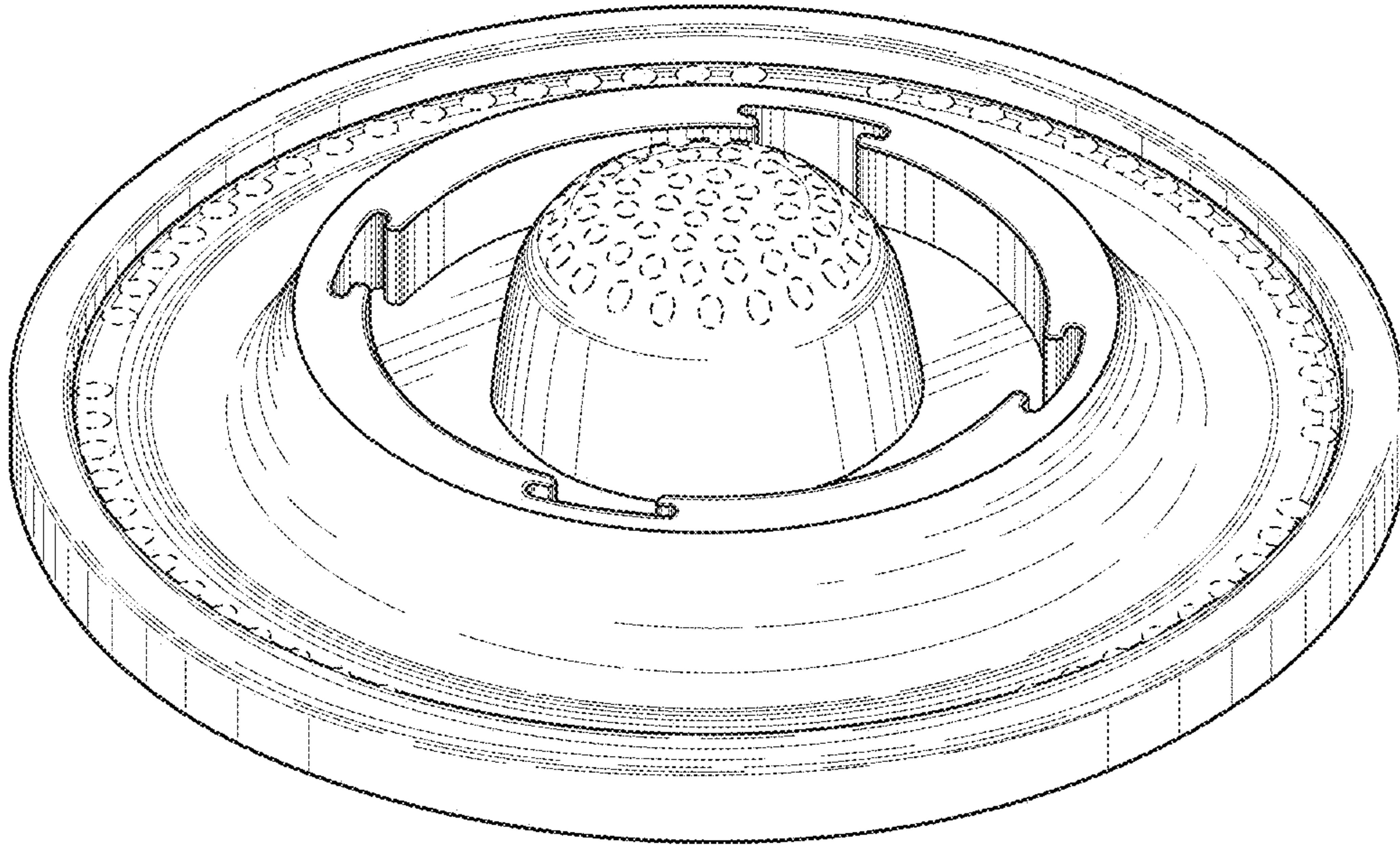


Fig.9

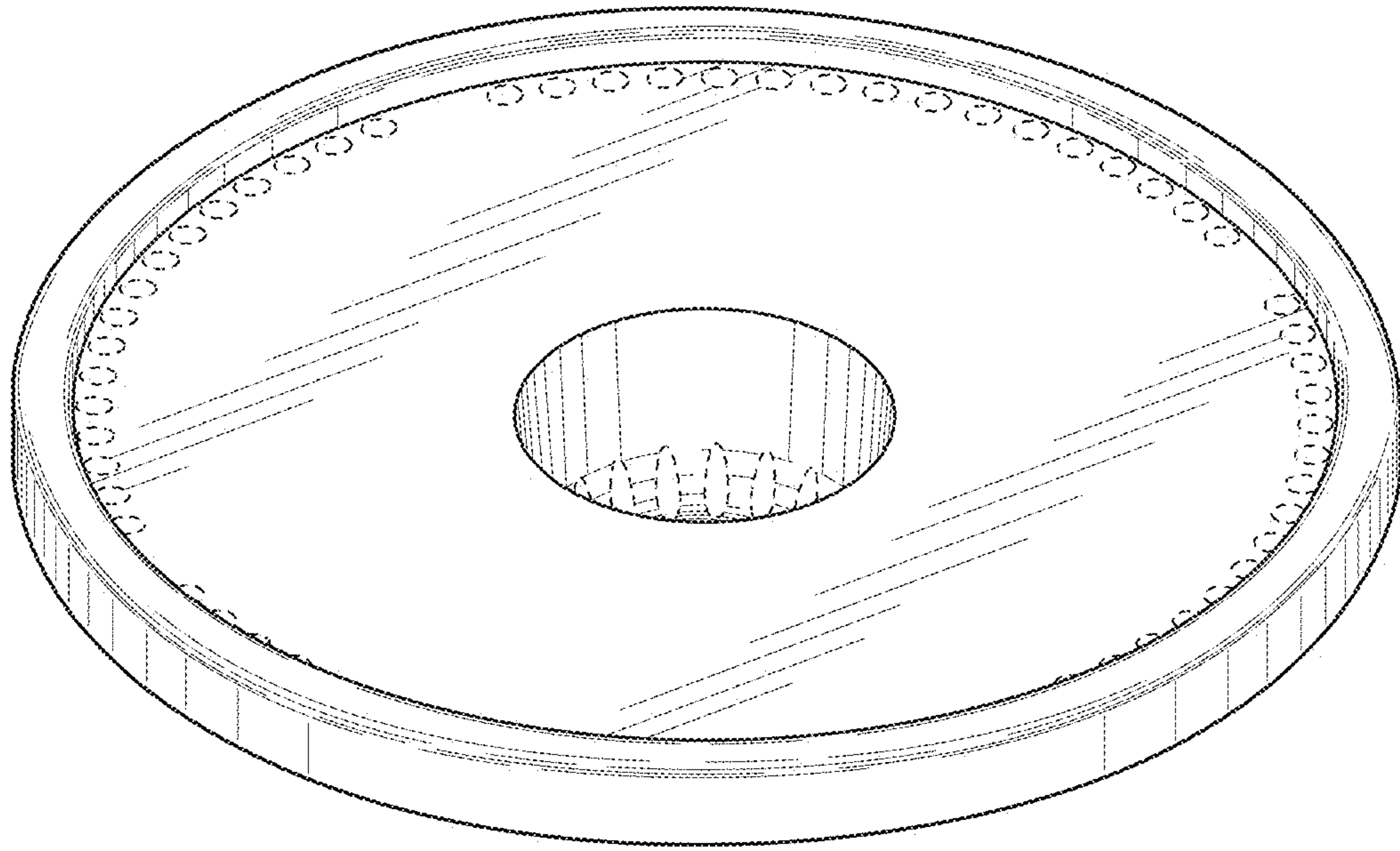


Fig. 10

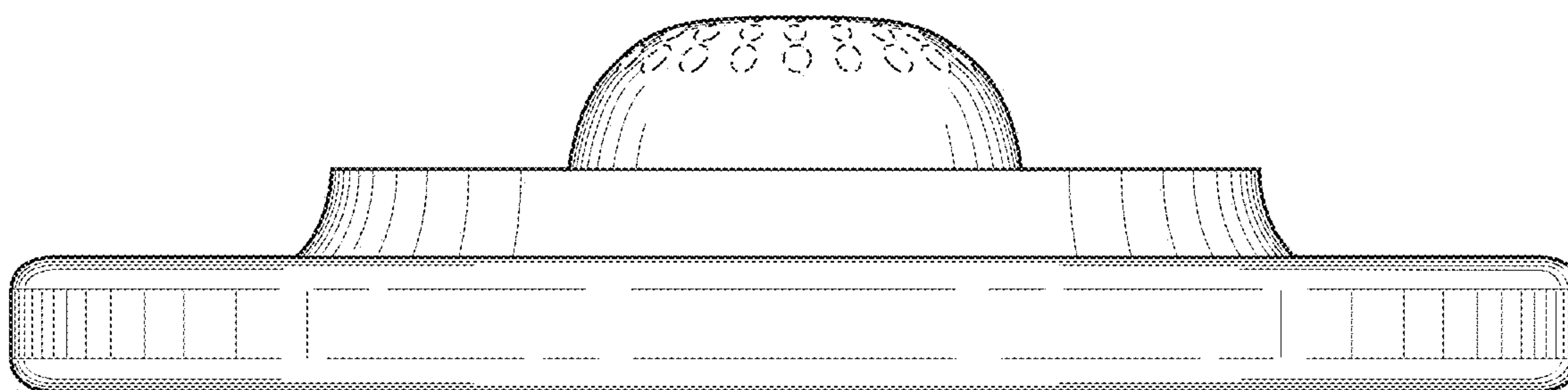


Fig. 11



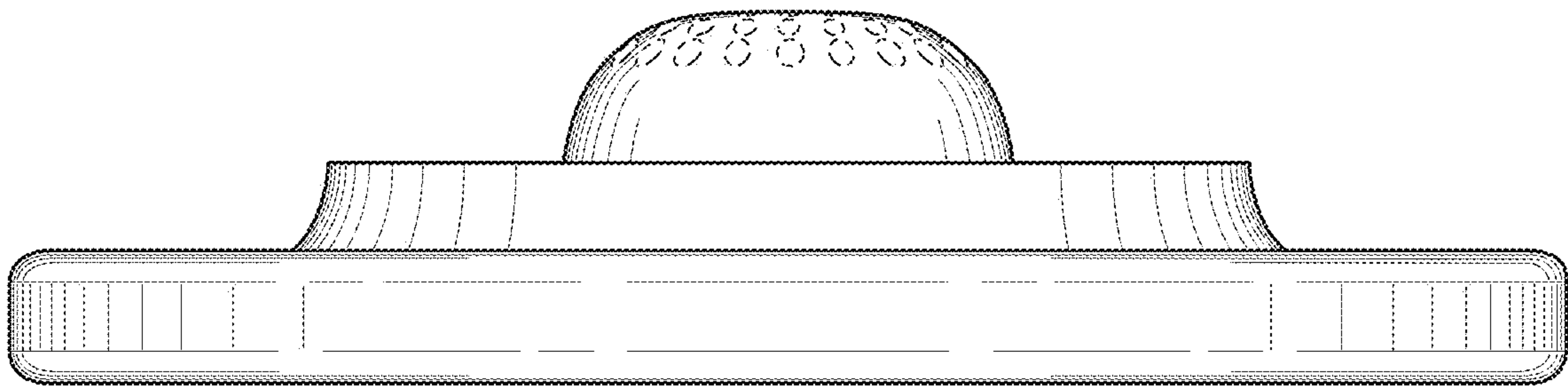


Fig.12

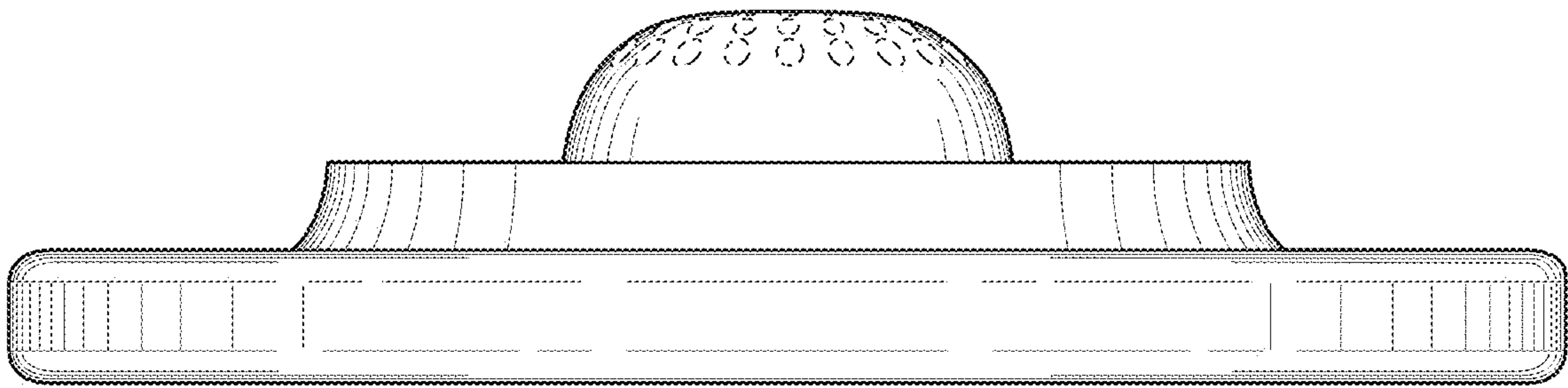


Fig. 13

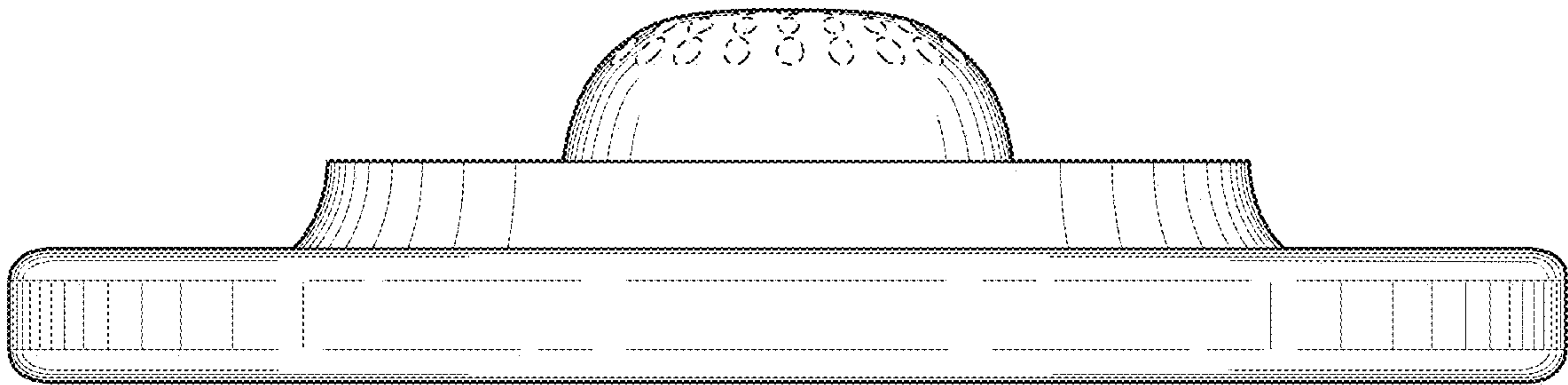


Fig.14

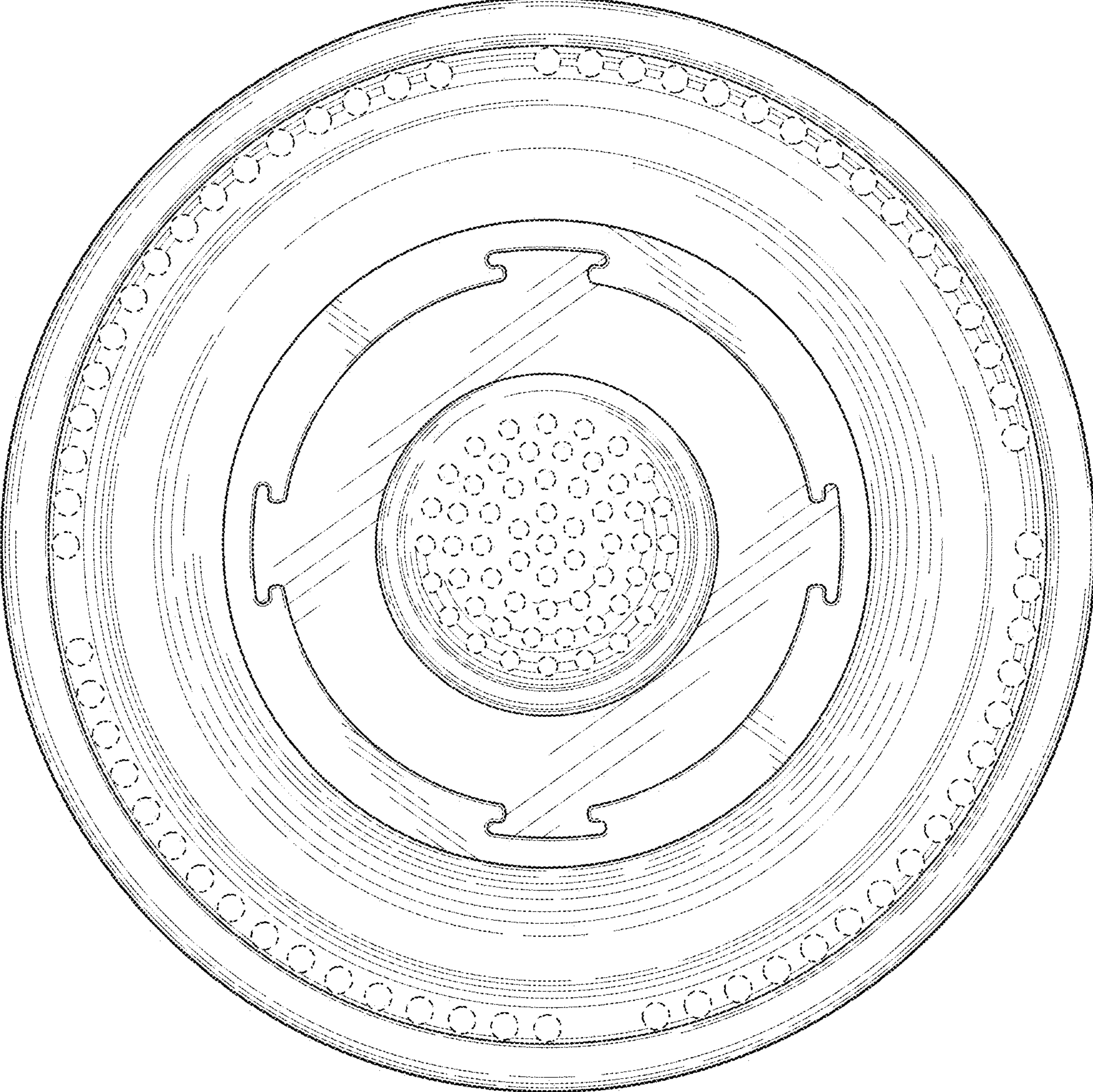


Fig.15



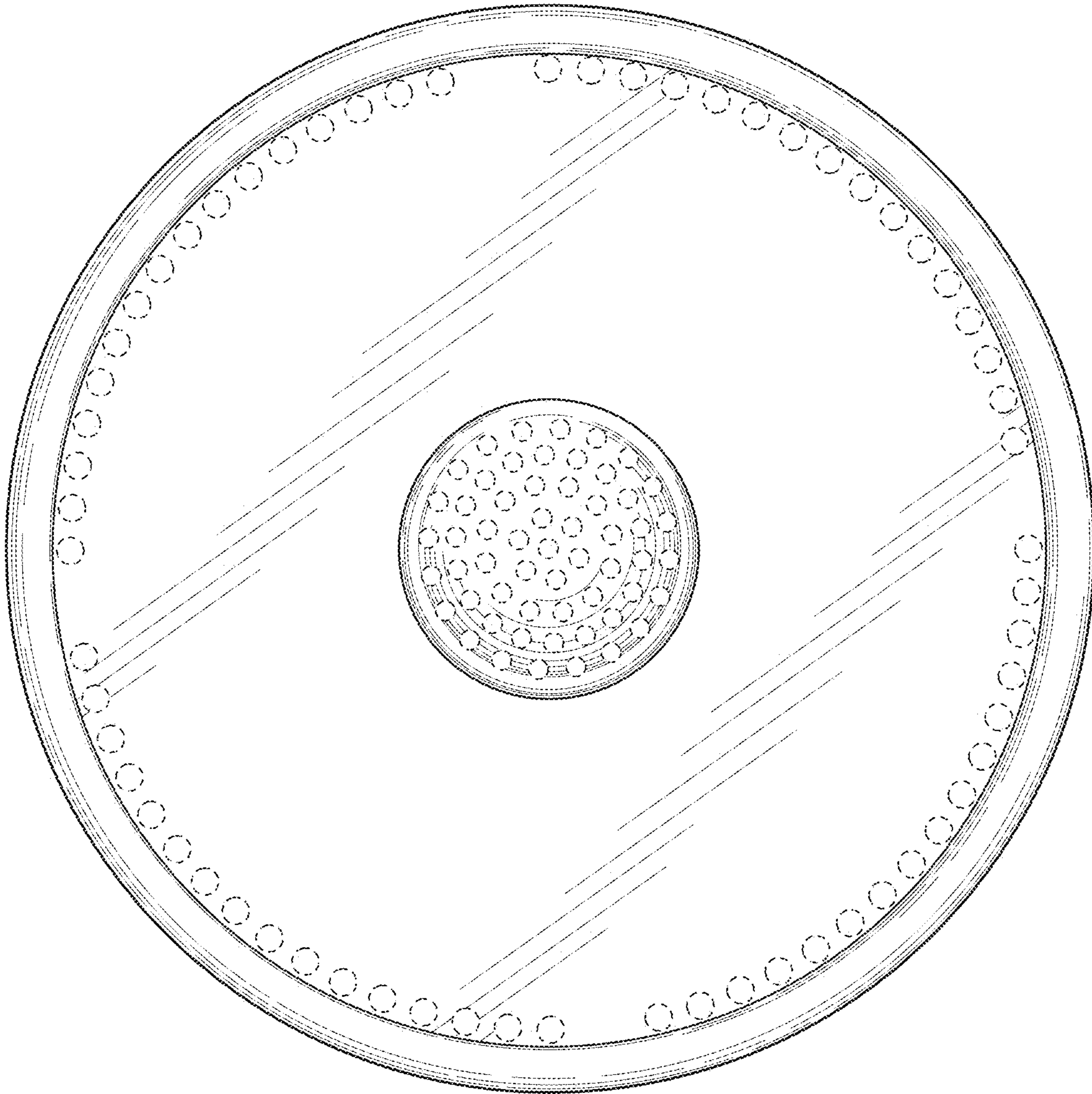


Fig. 16