



US00D926918S

(12) **United States Design Patent** (10) **Patent No.:** **US D926,918 S**
Lieberwirth et al. (45) **Date of Patent:** **** Aug. 3, 2021**

(54) **INSECT TRAP**
(71) Applicant: **The Procter & Gamble Company**,
Cincinnati, OH (US)
(72) Inventors: **Lars Lieberwirth**, Shanghai (CN);
Andrew F Sandford, Marlborough,
MA (US); **Daniel B Lazarchik**, Boston,
MA (US)
(73) Assignee: **The Procter & Gamble Company**,
Cincinnati, OH (US)

4,212,129 A 7/1980 Shumate
D282,390 S 1/1986 Ford et al.
4,709,502 A 12/1987 Bierman
4,709,503 A 12/1987 McQueen
4,815,231 A 3/1989 McQueen
D323,014 S 1/1992 Demarest et al.
D326,702 S 6/1992 Demarest
D357,725 S 4/1995 Biasetti
5,556,192 A 9/1996 Wang
(Continued)

(**) Term: **15 Years**

(21) Appl. No.: **29/685,836**

(22) Filed: **Apr. 1, 2019**

Related U.S. Application Data

(60) Division of application No. 29/590,625, filed on Jan. 12, 2017, now Pat. No. Des. 850,572, which is a division of application No. 29/565,260, filed on May 19, 2016, now Pat. No. Des. 780,284, which is a continuation of application No. 29/503,040, filed on Sep. 23, 2014, now abandoned, which is a continuation of application No. 29/476,091, filed on Dec. 11, 2013, now abandoned, which is a continuation of application No. 29/449,887, filed on Mar. 15, 2013, now abandoned.

(51) **LOC (13) Cl.** **22-06**

(52) **U.S. Cl.**
USPC **D22/122**

(58) **Field of Classification Search**
USPC D22/122; 43/107, 111–113, 121, 124,
43/131, 132.1; D23/366–369
CPC A01M 1/02; A01M 1/04; A01M 1/106;
A01M 1/145; A01M 25/002
See application file for complete search history.

(56) **References Cited**

U.S. PATENT DOCUMENTS

2,307,163 A 1/1943 Evan
3,729,858 A 5/1973 Bradshaw

FOREIGN PATENT DOCUMENTS

EP 1827092 B1 12/2010
WO 0122813 A2 4/2001
(Continued)

OTHER PUBLICATIONS

All Office Actions, U.S. Appl. No. 29/449,768.
(Continued)

Primary Examiner — Catherine R Oliver-Garcia
(74) *Attorney, Agent, or Firm* — Melissa Krasovec

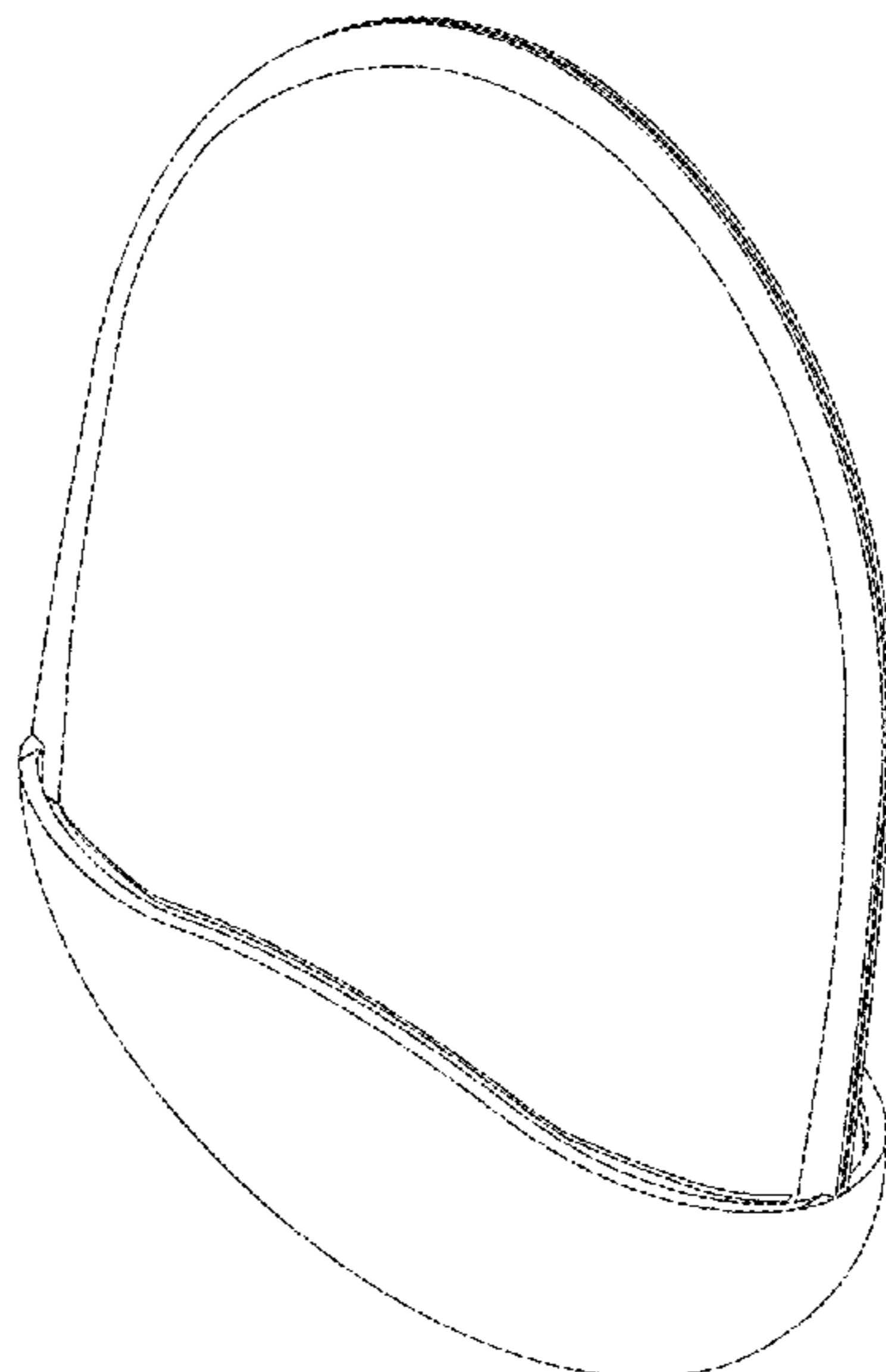
(57) **CLAIM**

The ornamental design for an insect trap, as shown and described.

DESCRIPTION

FIG. 1 is a front perspective view of an ornamental design for an insect trap;
FIG. 2 is a rear perspective view thereof;
FIG. 3 is a rear elevation view thereof;
FIG. 4 is a front elevation view thereof;
FIG. 5 is a side elevation view thereof;
FIG. 6 is an opposite side elevation view thereof;
FIG. 7 is a top plan view thereof; and,
FIG. 8 is a bottom plan view thereof.

1 Claim, 4 Drawing Sheets



(56)

References Cited

U.S. PATENT DOCUMENTS

5,572,825 A 11/1996 Gehret
 5,588,250 A 12/1996 Chiba et al.
 6,108,965 A 8/2000 Burrows et al.
 D457,591 S 5/2002 Christianson et al.
 6,392,549 B1 5/2002 Wu
 6,393,759 B1 5/2002 Brown
 6,478,440 B1 11/2002 Jaworski et al.
 D467,295 S 12/2002 Andrews et al.
 6,560,919 B2 5/2003 Burrows et al.
 6,886,292 B2 5/2005 Studer et al.
 D521,102 S 5/2006 Hoyes
 D533,930 S 12/2006 Keller, Jr. et al.
 7,607,255 B2 10/2009 Hu
 D612,039 S 3/2010 Ko et al.
 D612,446 S 3/2010 Dalili
 D614,278 S 4/2010 Schwartz et al.
 D629,500 S 12/2010 Koenig et al.
 7,856,752 B1 12/2010 Eilerson
 8,016,207 B2 9/2011 Kvietok et al.
 8,099,900 B2 1/2012 Rivera
 8,109,036 B1 2/2012 Wilbanks
 8,210,448 B2 7/2012 Kvietok et al.
 D669,151 S 10/2012 Frisch
 8,375,625 B2 2/2013 Larsen
 8,707,614 B2 4/2014 Larsen
 8,740,110 B2 6/2014 Gruenbacher et al.
 9,089,121 B2 7/2015 Diclaro et al.
 D736,341 S 8/2015 Lieberwirth et al.
 D780,284 S 2/2017 Lieberwirth
 D834,137 S 11/2018 Smith
 2009/0100743 A1 4/2009 Prater

2010/0263260 A1 10/2010 Engelbrecht et al.
 2016/0000060 A1 1/2016 Sandford et al.
 2016/0262367 A1 9/2016 Sandford
 2017/0035039 A1 2/2017 Sandford
 2017/0303523 A1 10/2017 Sandford

FOREIGN PATENT DOCUMENTS

WO 2002012127 A3 2/2002
 WO 2015081033 A1 6/2015
 WO 2015164849 A1 10/2015

OTHER PUBLICATIONS

All Office Actions, U.S. Appl. No. 29/449,887.
 All Office Actions, U.S. Appl. No. 29/476,091.
 All Office Actions, U.S. Appl. No. 29/476,092.
 All Office Actions, U.S. Appl. No. 29/476,093.
 All Office Actions, U.S. Appl. No. 29/502,777.
 All Office Actions, U.S. Appl. No. 29/503,040.
 All Office Actions, U.S. Appl. No. 29/565,260.
 All Office Actions, U.S. Appl. No. 29/565,304.
 All Office Actions, U.S. Appl. No. 29/590,624.
 All Office Actions, U.S. Appl. No. 29/590,625.
 All Office Actions, U.S. Appl. No. 29/595,960.
 Plug-in Sticky Fly Trap, Olson Products Inc., PO Box 1043, Medina OH 44258, www.olsonproducts.com, web page: http://www.olsonproducts.com/three_3.pdf.
 Enforcer® Over Nite Flea and Insect Trap, website: <http://www.enforcer.com/products/flea-tick/over-nite-flea-insect-trap/>.
 On-line article in the Atlanta Journal Constitution, Jul. 9, 1993 by Leigh Ann Miller describing a new product, the Enforcer® Over Nite Flea and Insect Trap, 1 page.

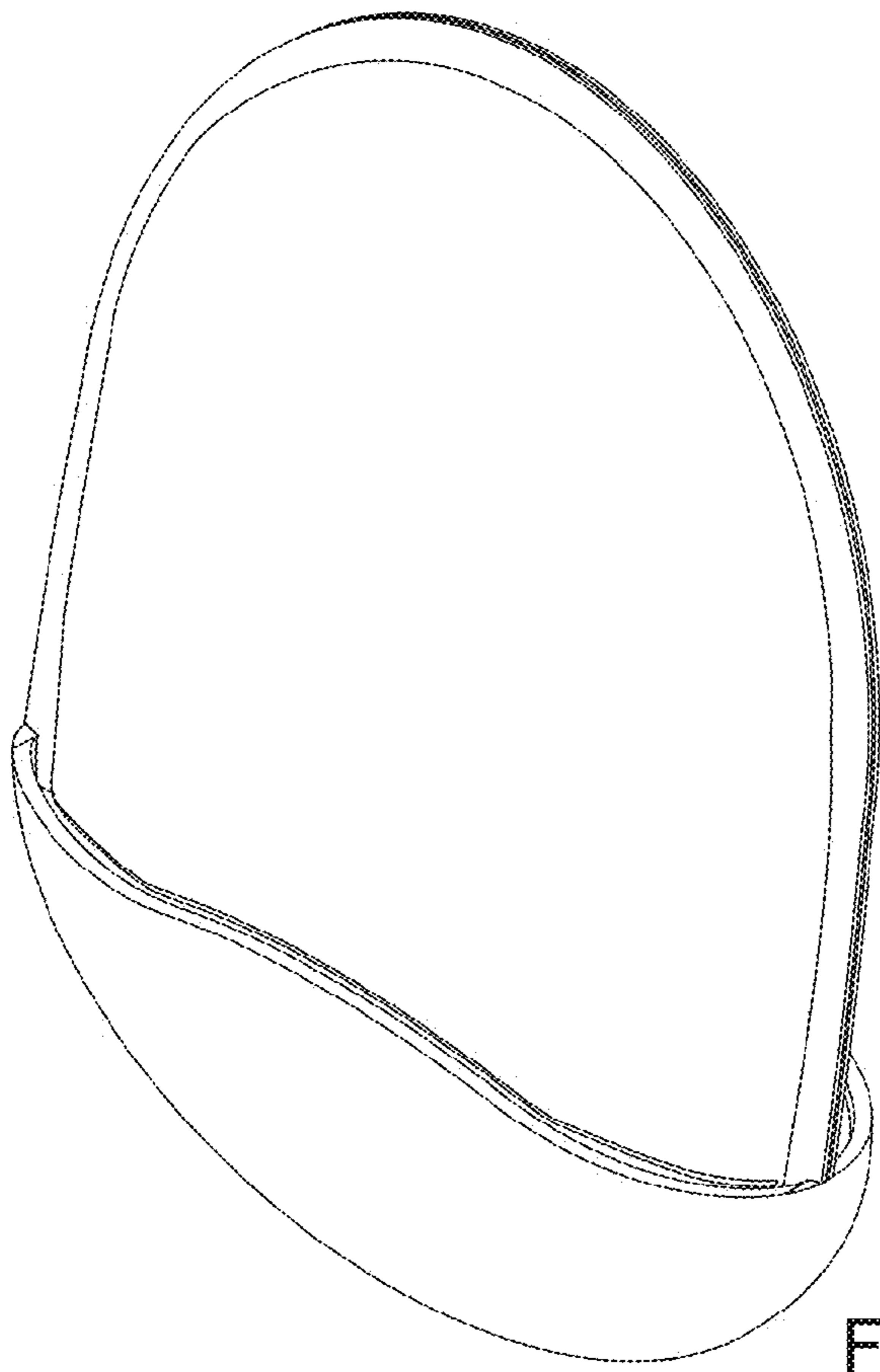


FIG. 1

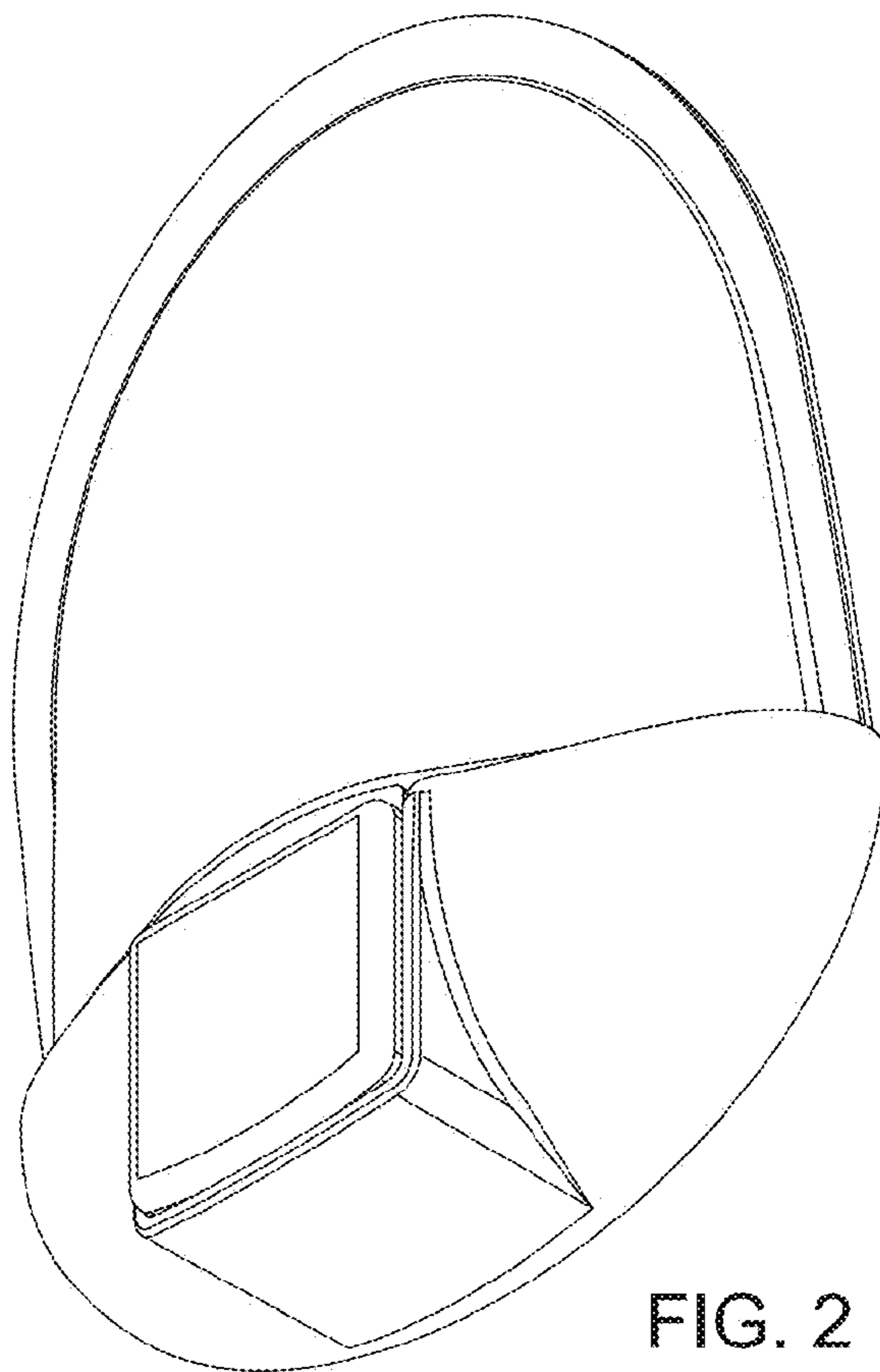


FIG. 2

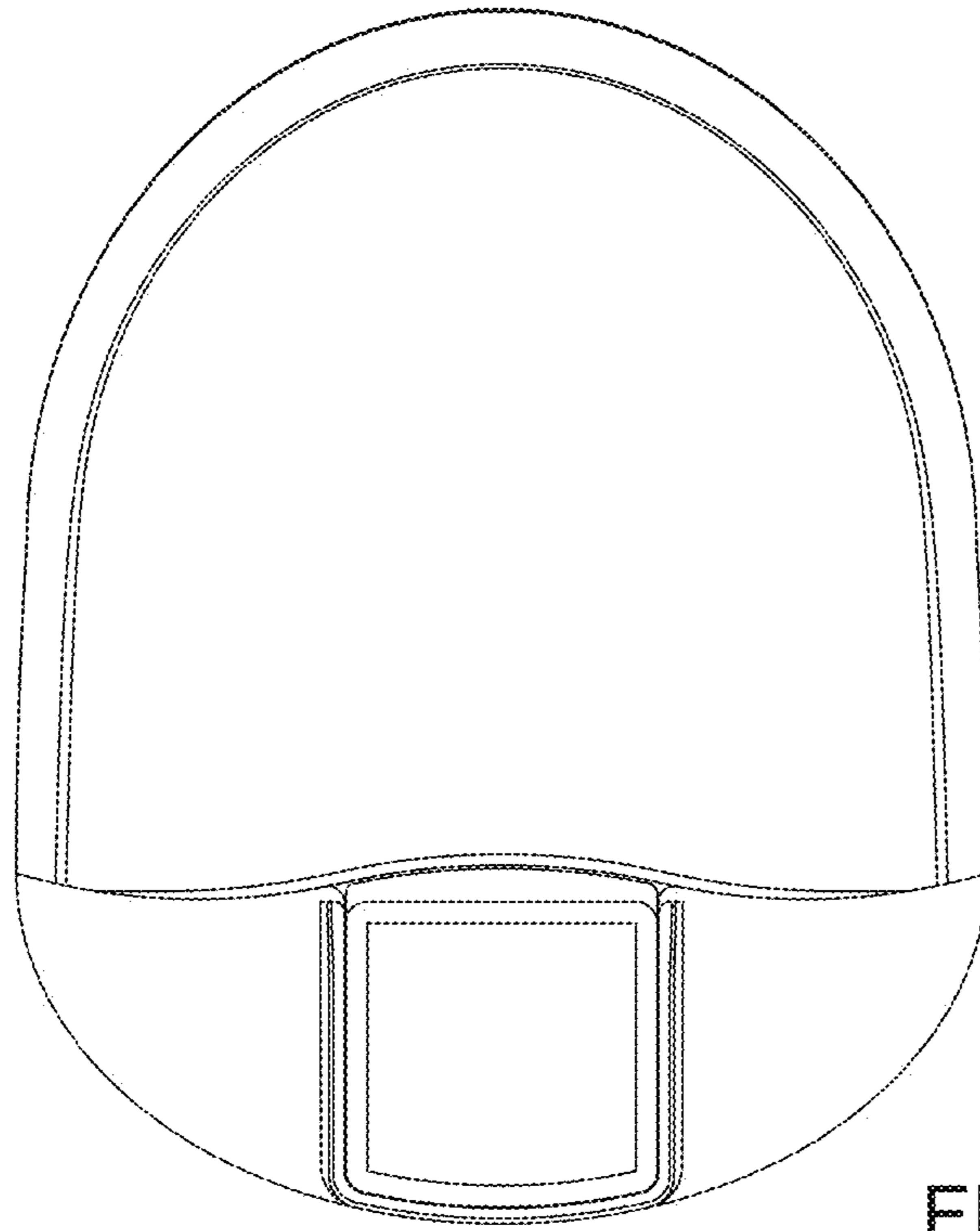


FIG. 3

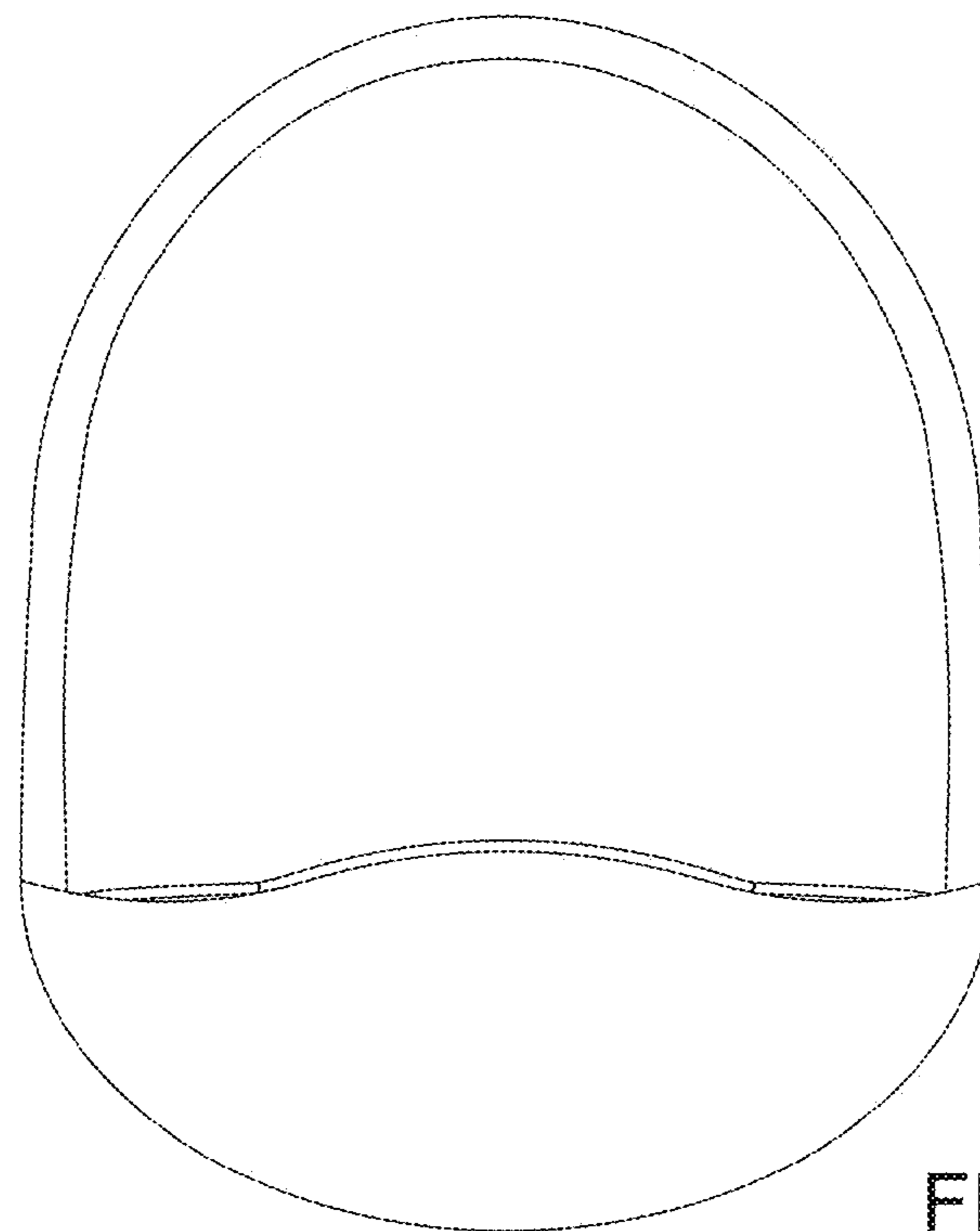


FIG. 4

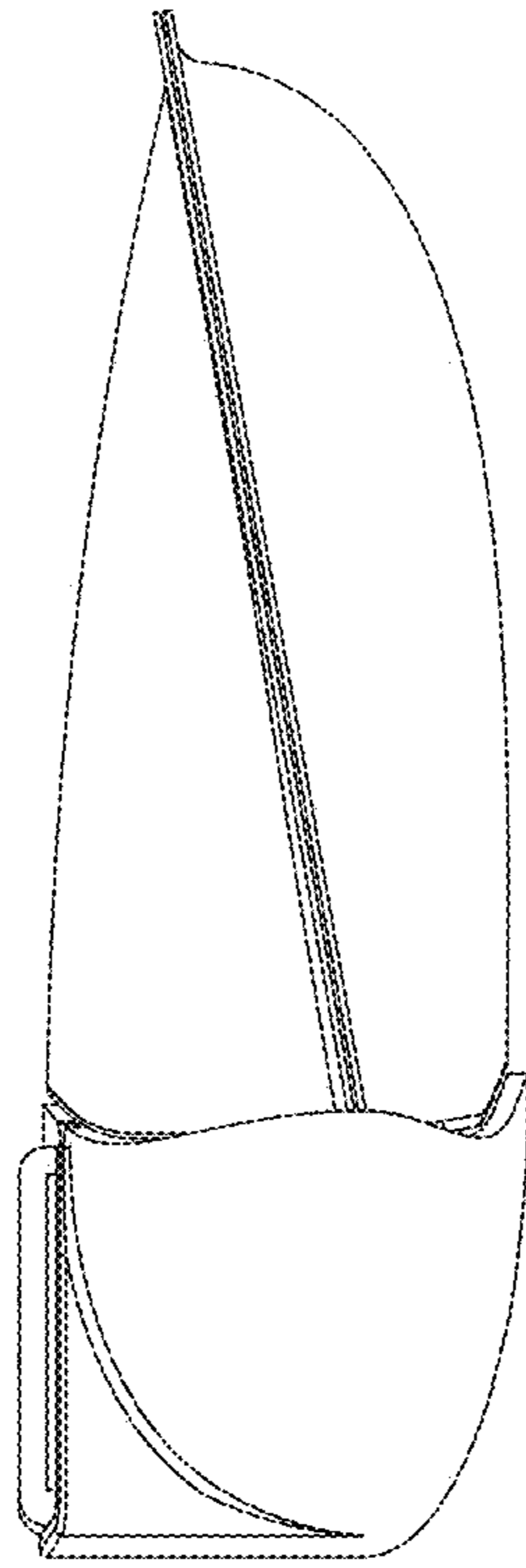


FIG. 5

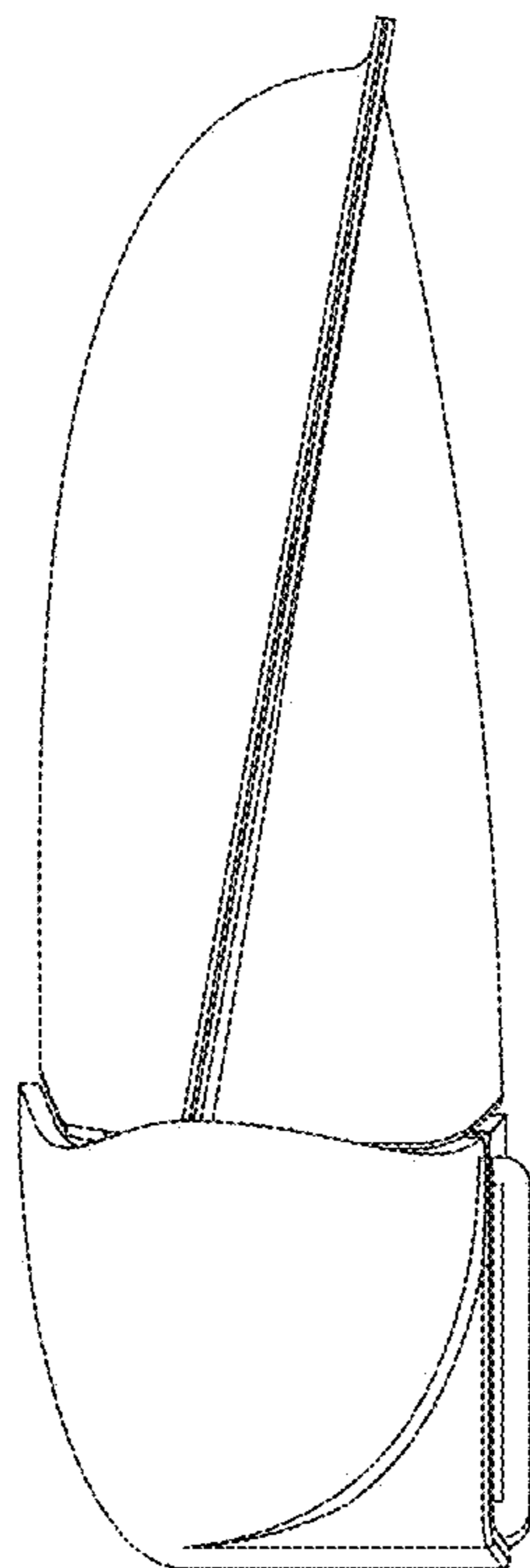


FIG. 6

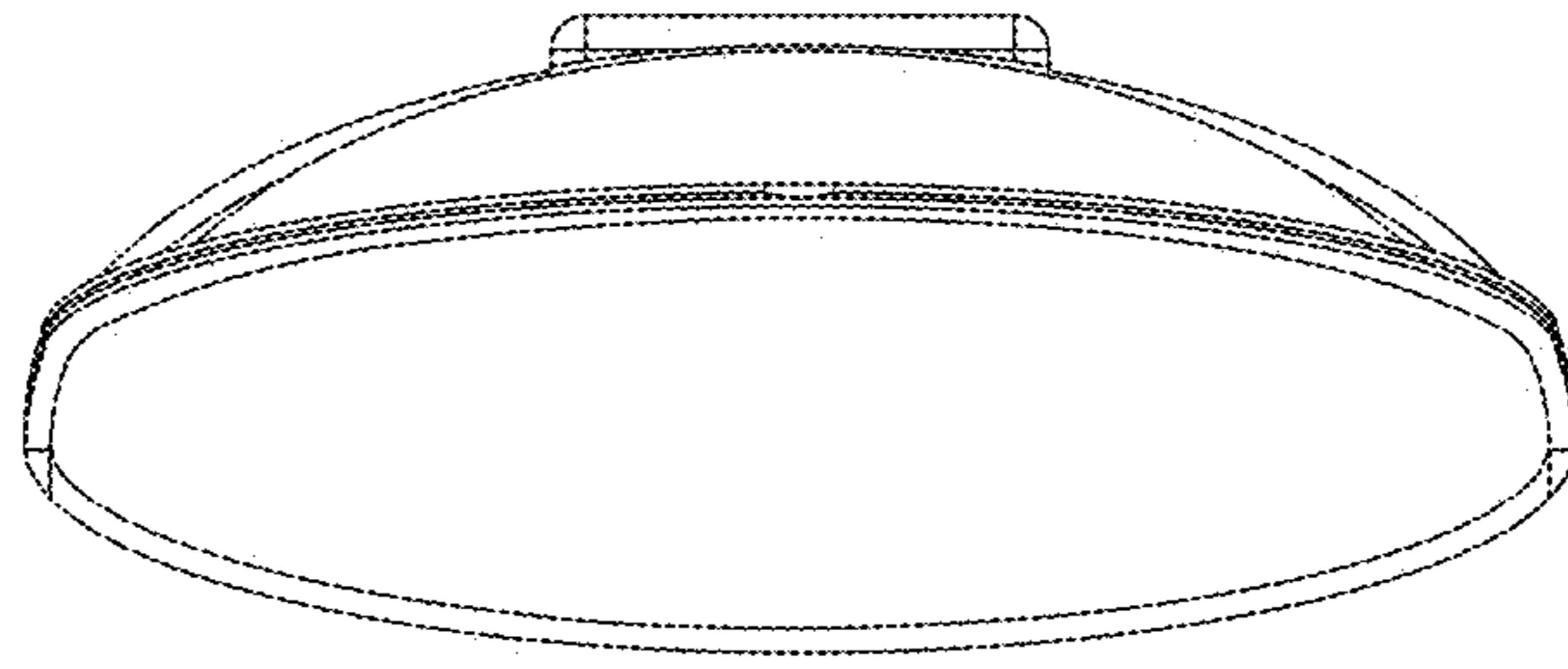


FIG. 7

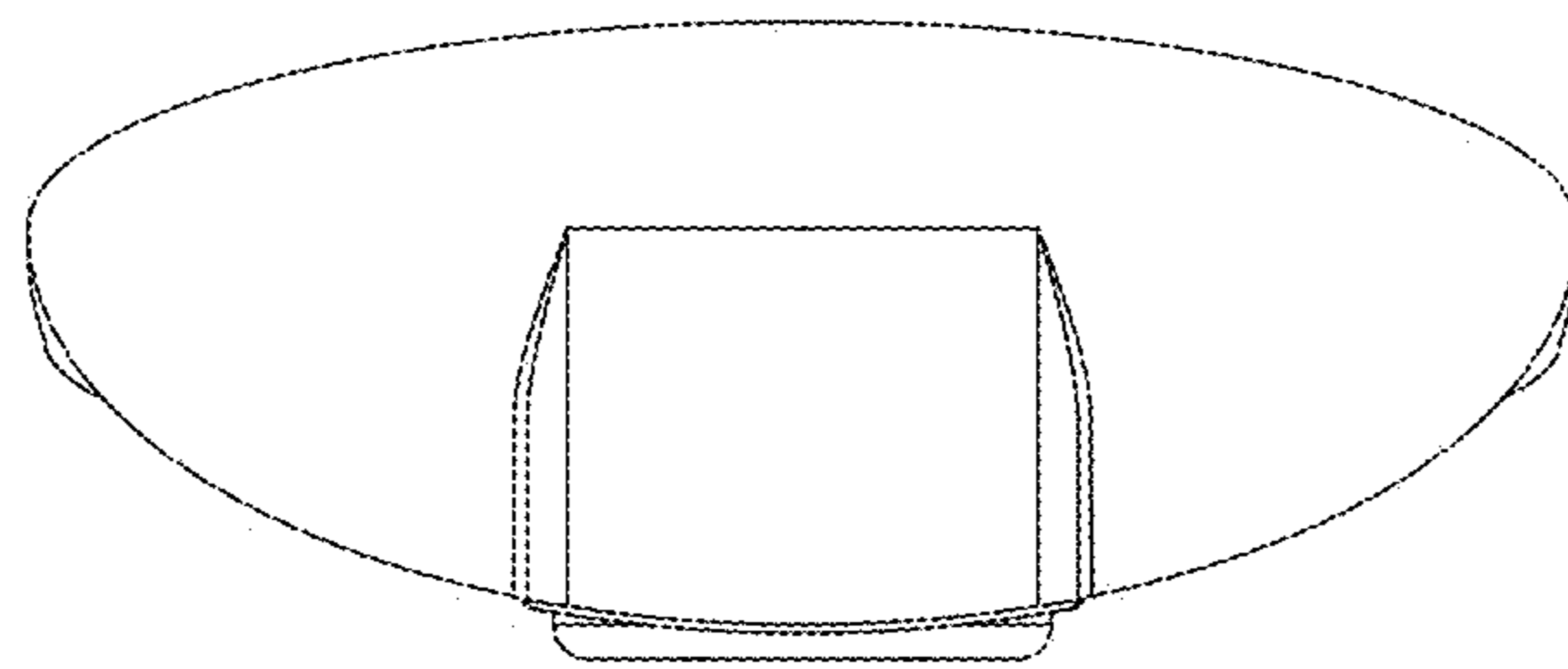


FIG. 8