



US00D926917S

(12) **United States Design Patent**
Daniil

(10) **Patent No.:** **US D926,917 S**

(45) **Date of Patent:** **** Aug. 3, 2021**

(54) **RAT TRAP**

(71) Applicant: **Veta Trading Corp**, Wayne, NJ (US)

(72) Inventor: **Daniil Daniil**, Wayne, NJ (US)

(73) Assignee: **VETA TRADING CORP**, Wayne, NJ (US)

(**) Term: **15 Years**

(21) Appl. No.: **29/757,835**

(22) Filed: **Nov. 10, 2020**

(51) **LOC (13) Cl.** **22-06**

(52) **U.S. Cl.**
USPC **D22/119**

(58) **Field of Classification Search**
USPC D22/119–120; 43/58, 60–61, 65–66, 70,
43/77, 81–83, 90, 92, 98
CPC A01M 23/00; A01M 23/24; A01M 23/26;
A01M 23/30; A01M 31/002
See application file for complete search history.

(56) **References Cited**

U.S. PATENT DOCUMENTS

2,194,669	A	3/1940	Mumford	
D231,372	S	4/1974	Willinger et al.	
3,827,401	A	8/1974	Franzl	
4,325,822	A	4/1982	Miller	
4,779,567	A	10/1988	Smith	
D306,475	S *	3/1990	Bowler	D22/119
D306,637	S *	3/1990	Henderson	D22/119
D401,147	S	11/1998	Miller	
6,955,007	B2 *	10/2005	Gehret	A01M 23/04 43/58
D529,571	S *	10/2006	Hoyes	D22/119
D617,959	S	6/2010	Twu	
D621,900	S *	8/2010	Cink	D22/119
D667,526	S *	9/2012	Covington	D22/119
D828,484	S *	9/2018	Vickery	D22/119

D829,846	S *	10/2018	Vickery	D22/119
D836,747	S *	12/2018	Ambler	D22/119
D863,493	S *	10/2019	Le Laidier	D22/119
10,561,138	B2	2/2020	Brimah	
2011/0072709	A1 *	3/2011	Patterson	A01M 31/002 43/81

FOREIGN PATENT DOCUMENTS

WO 2017/216572 * 12/2017 A01M 25/00

OTHER PUBLICATIONS

Rat Bait Station 2 Pack—Rodent Bait Station with Key Eliminates Rats Fast . . . https://www.amazon.com/Rat-Bait-Station-Pack-Eliminates/dp/B0725X2WHJ/ref=sr_1_15?dchild=1&keywords=rat+traps&qid=1618095468&sr=8-15 (Year: 2017).*

* cited by examiner

Primary Examiner — Catherine R Oliver-Garcia
(74) *Attorney, Agent, or Firm* — Michael J. Feigin, Esq.;
Feigin and Fridman LLC

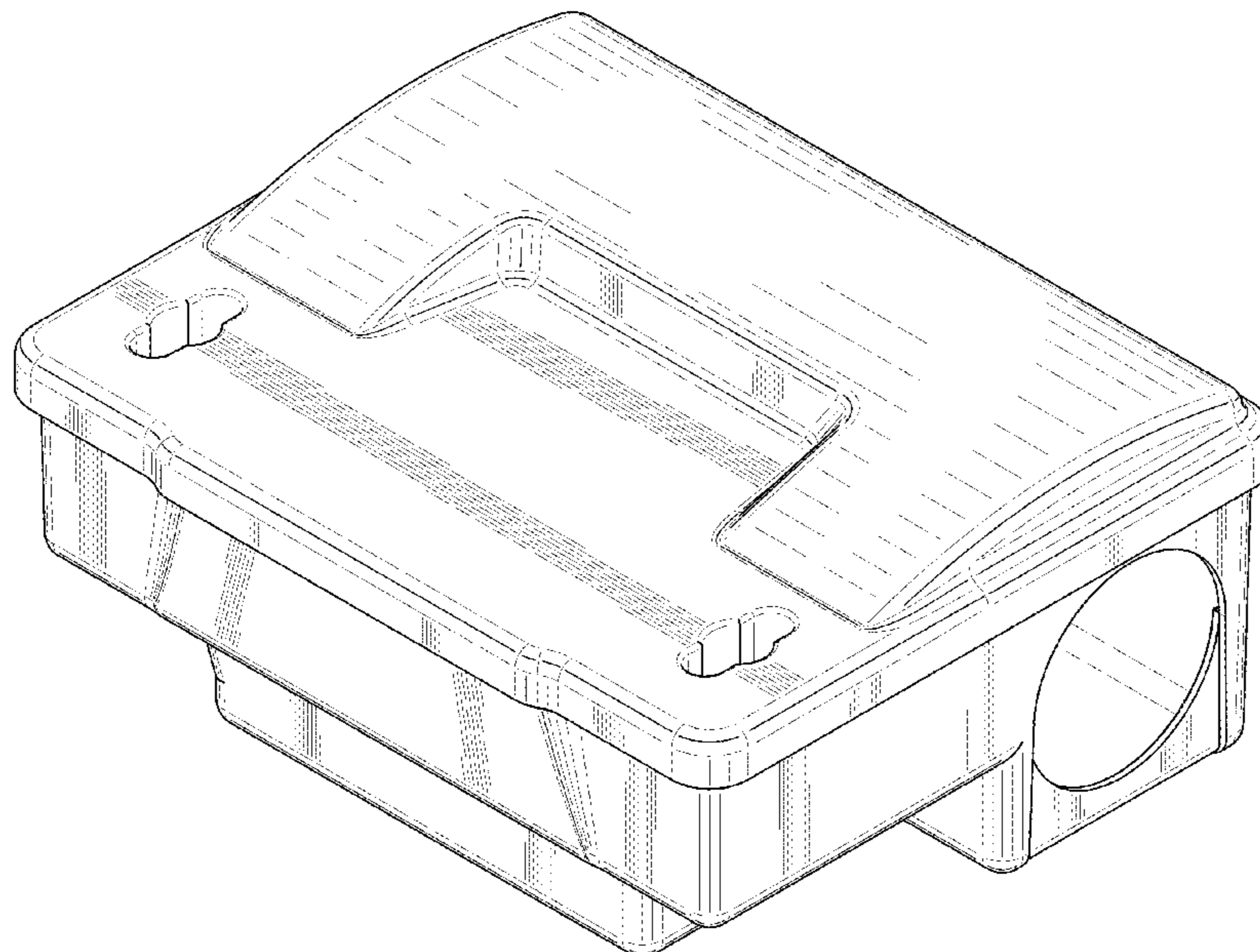
(57) **CLAIM**

The ornamental design for a rat trap, as shown.

DESCRIPTION

FIG. 1 is a top, front and side perspective view of a rat trap; FIG. 2 is a bottom, rear and side perspective view thereof; FIG. 3 is a front elevation view thereof; FIG. 4 is rear elevation view thereof; FIG. 5 is a top plan view thereof; FIG. 6 is a bottom plan view thereof; FIG. 7 is a side elevation view thereof; and, FIG. 8 is an opposite side elevation view thereof.

1 Claim, 8 Drawing Sheets



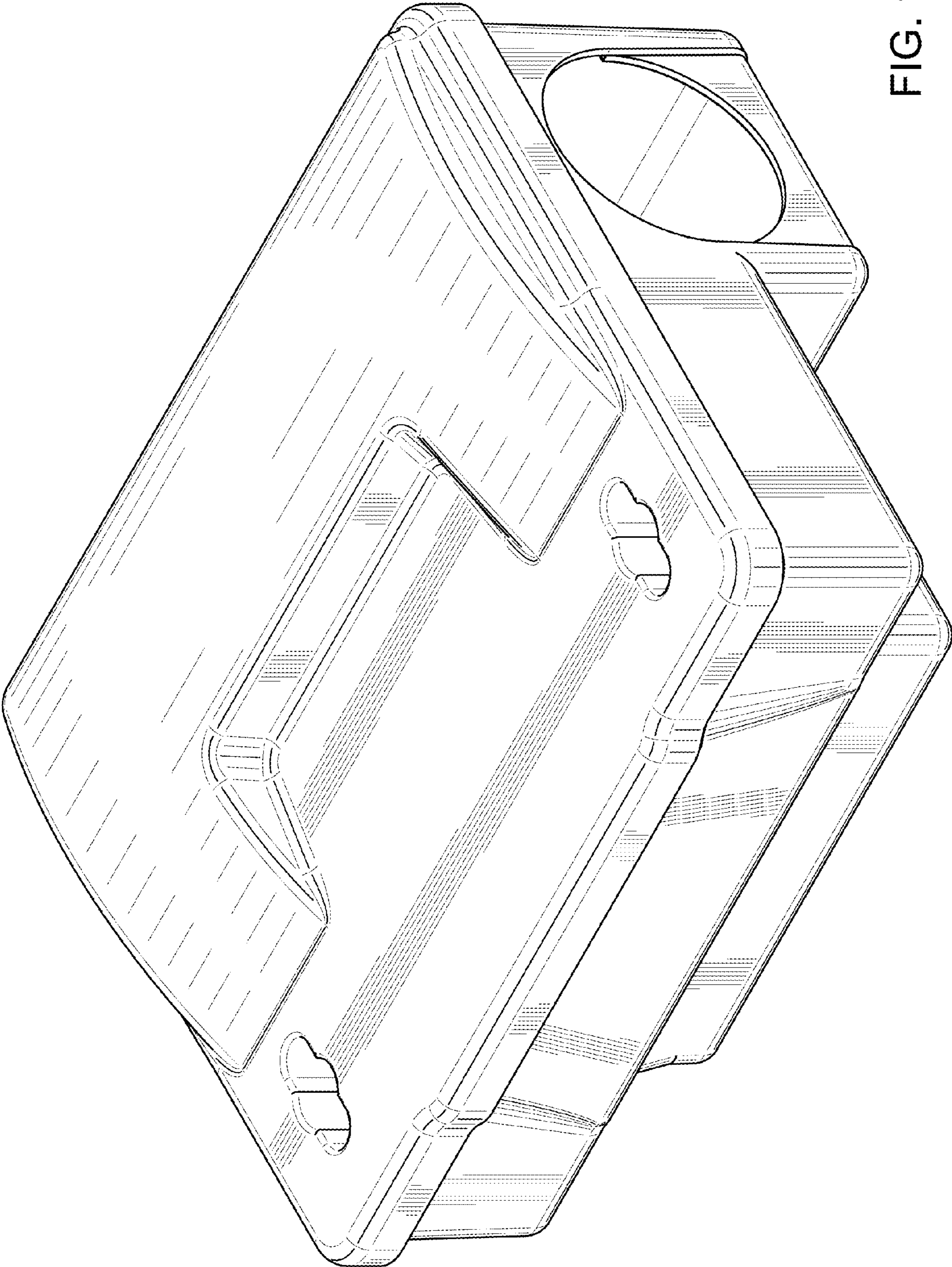
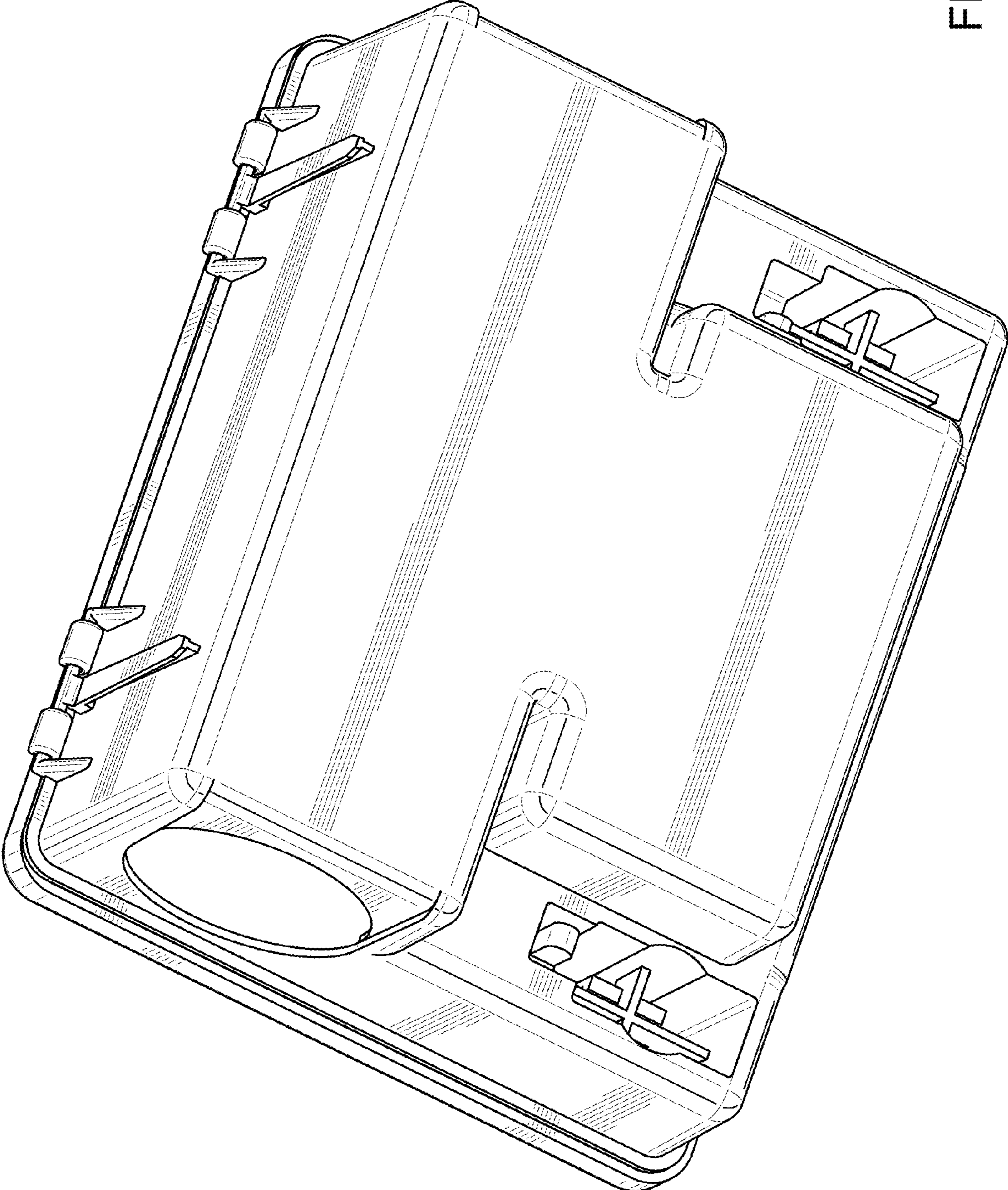


FIG. 1

FIG. 2



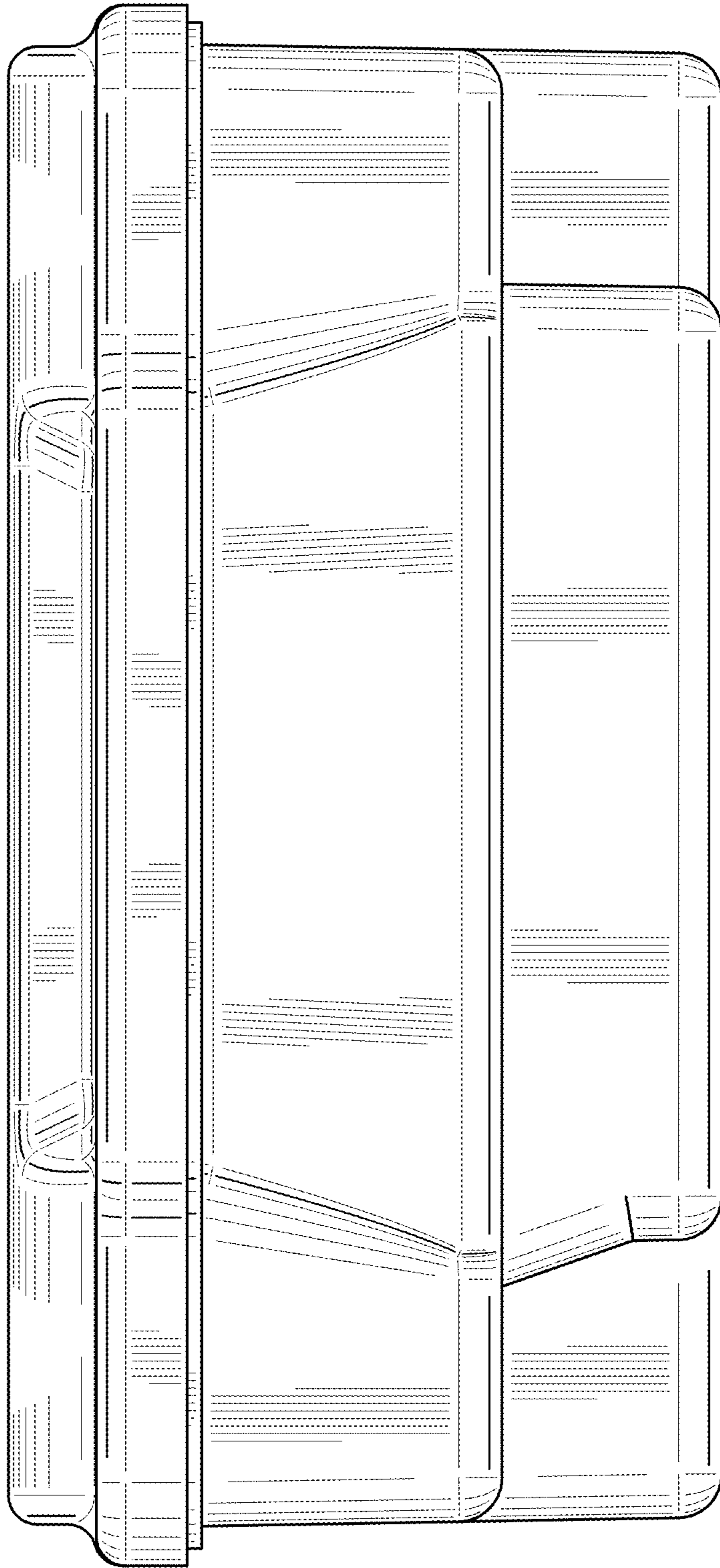


FIG. 3

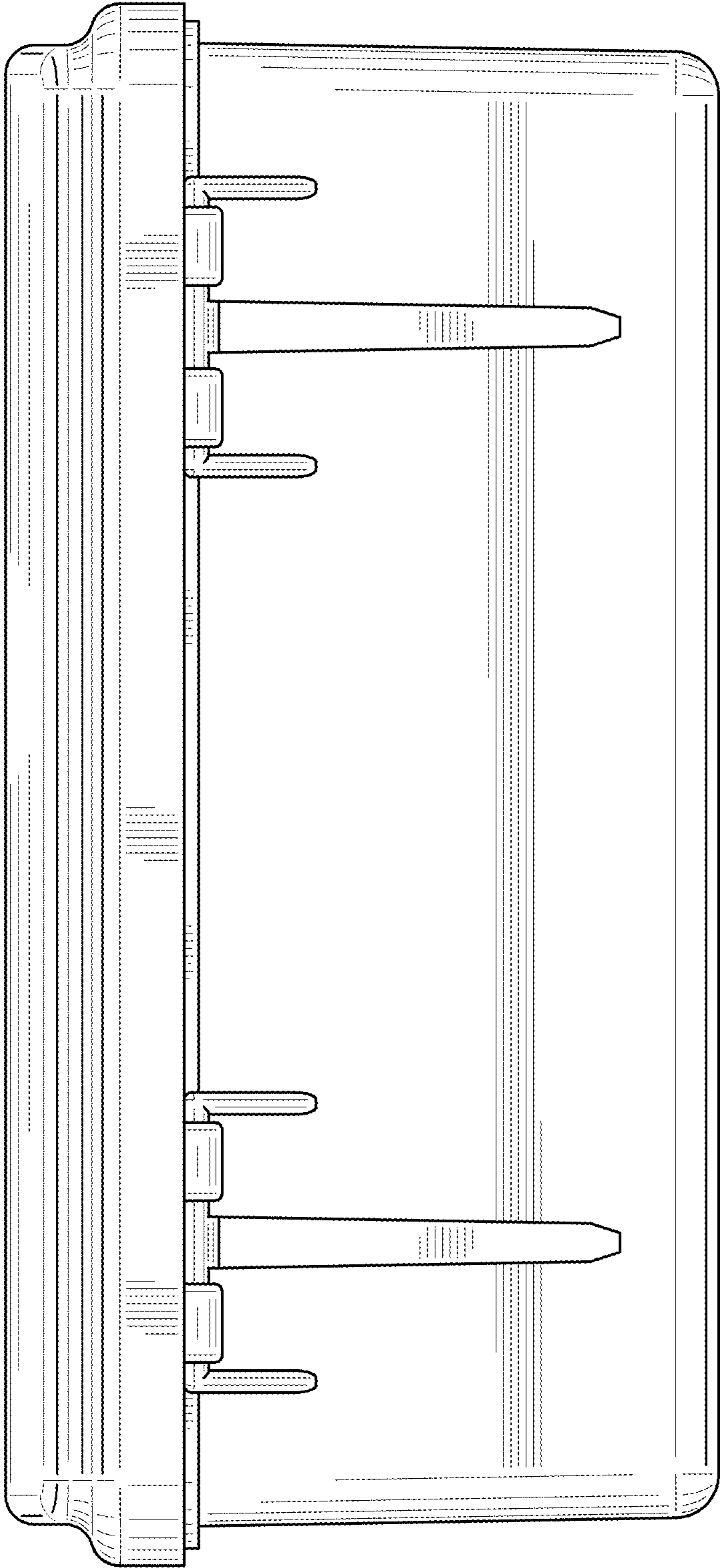


FIG. 4

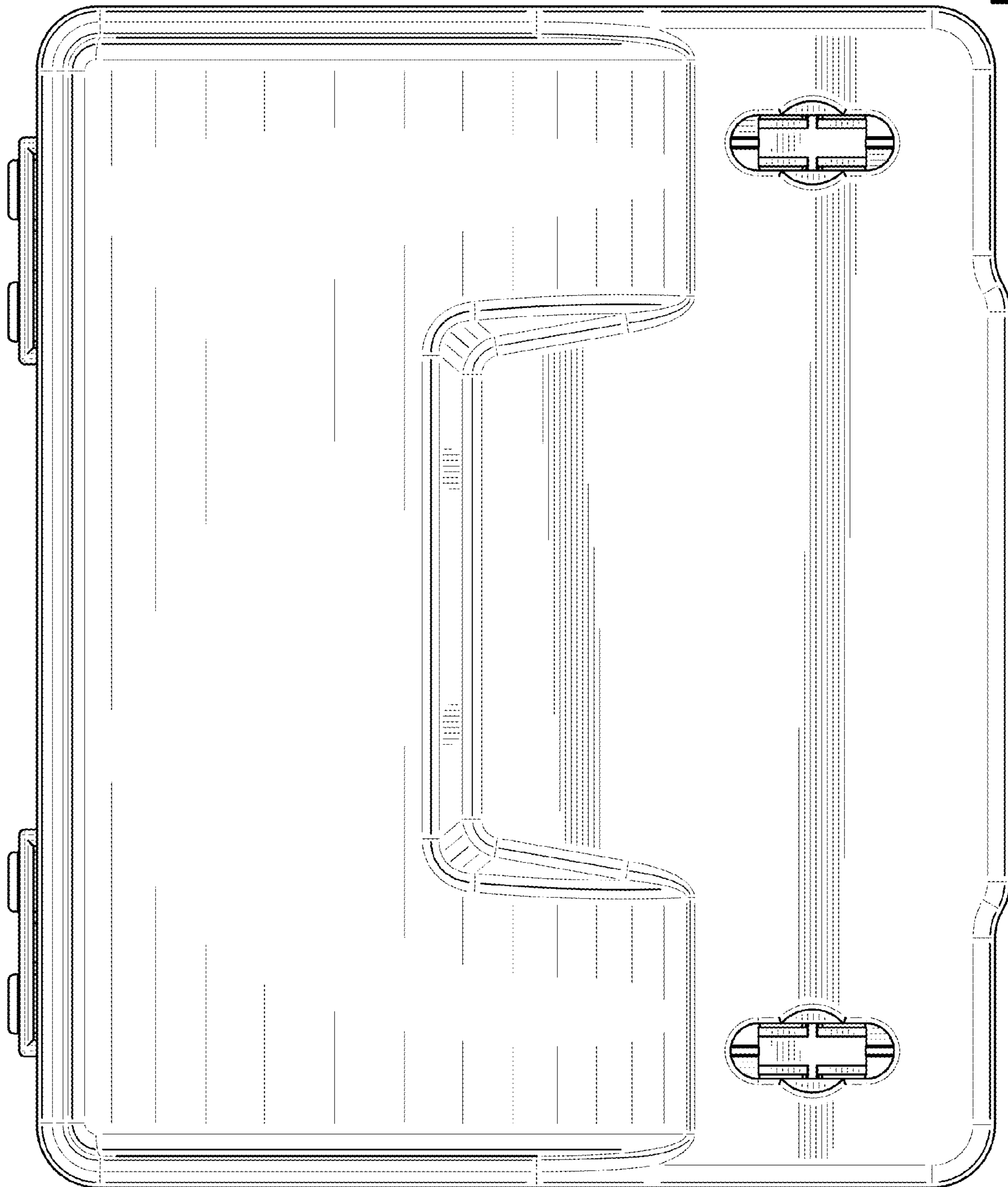


FIG. 5

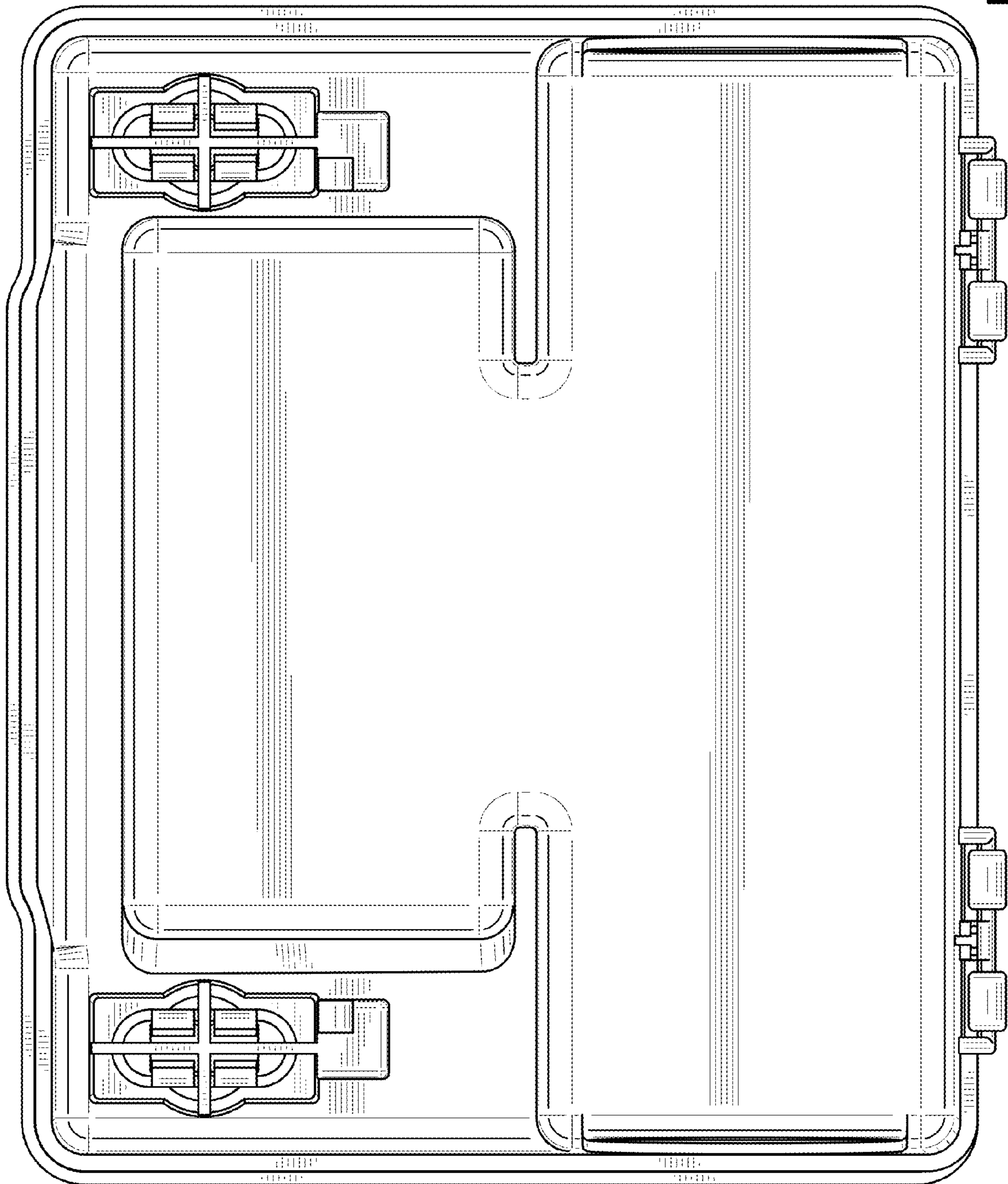


FIG. 6

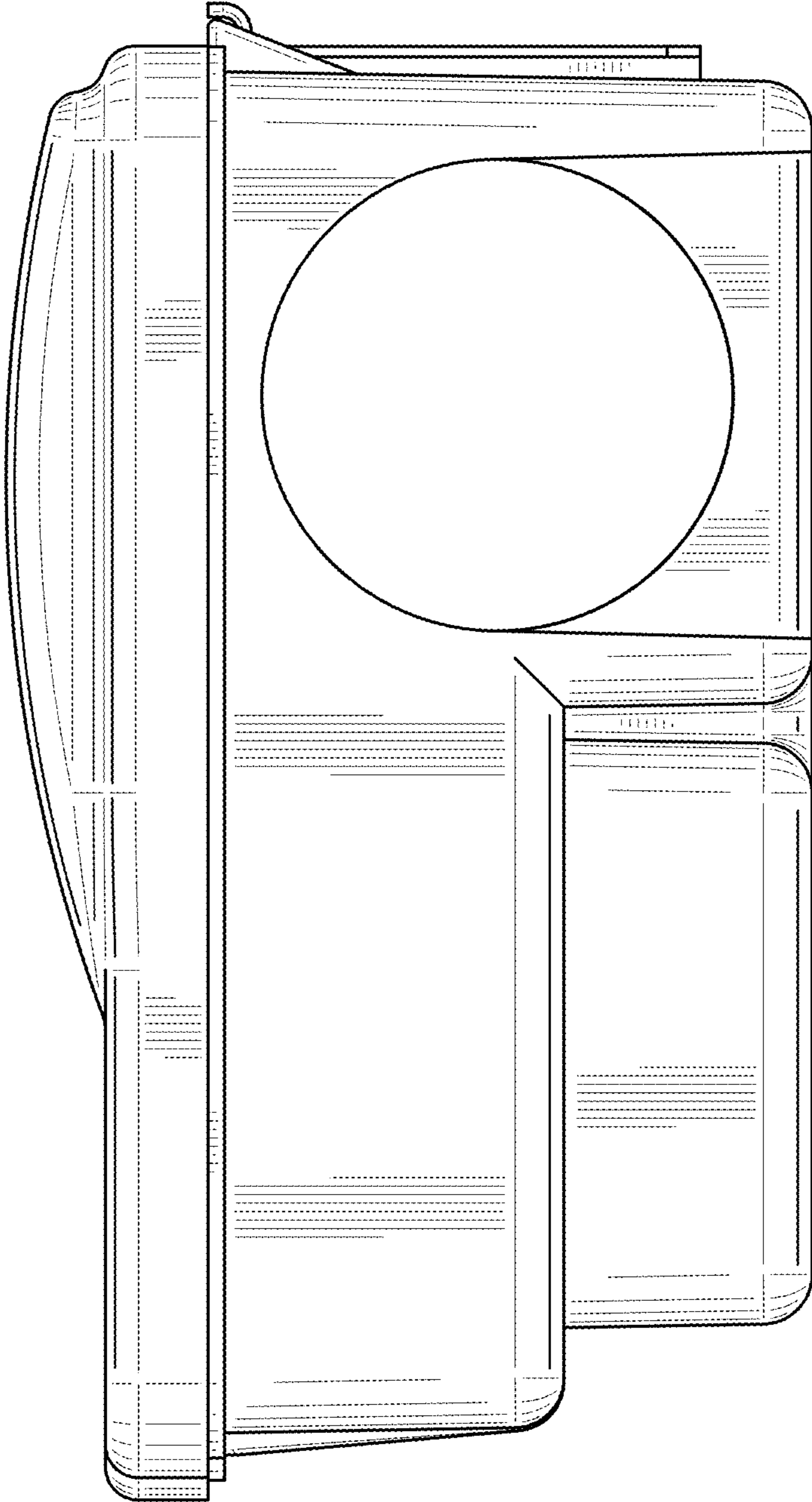


FIG. 7

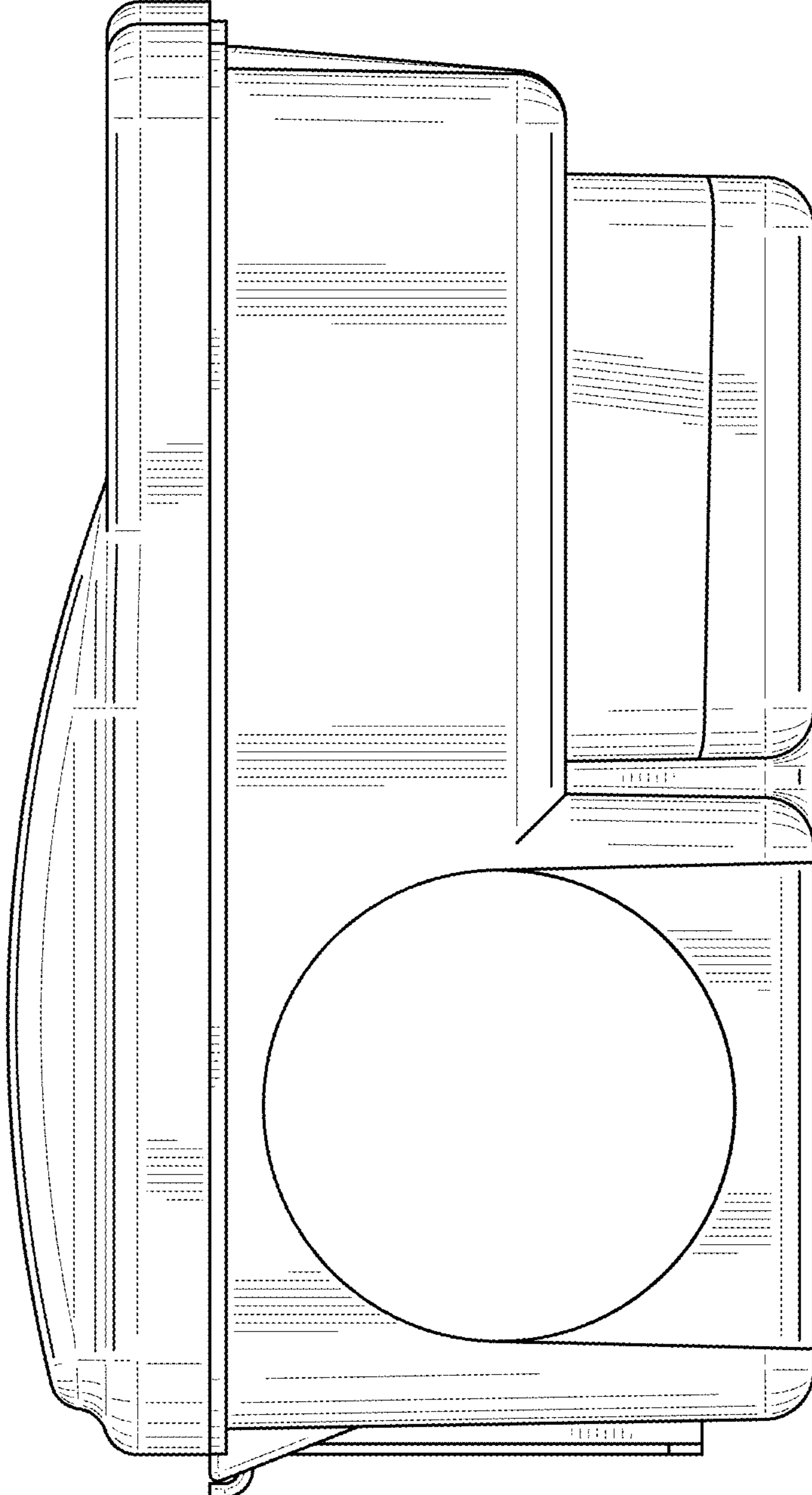


FIG. 8