

US00D926916S

(12) **United States Design Patent**
Howell et al.

(10) **Patent No.:** **US D926,916 S**
(45) **Date of Patent:** **** Aug. 3, 2021**

- (54) **SHOOTING TARGET ASSEMBLY**
- (71) Applicant: **Dick’s Sporting Goods, Inc.**,
Coraopolis, PA (US)
- (72) Inventors: **Jacob Ray Howell**, Kent, OH (US);
William E. Clegg, Gibsonia, PA (US)
- (73) Assignee: **Dick’s Sporting Goods, Inc.**,
Coraopolis, PA (US)
- (**) Term: **15 Years**
- (21) Appl. No.: **29/708,204**
- (22) Filed: **Oct. 4, 2019**
- (51) **LOC (13) Cl.** **22-04**
- (52) **U.S. Cl.**
USPC **D22/113; D21/306**
- (58) **Field of Classification Search**
USPC D22/113, 114; D21/302, 306
CPC F41J 1/00; F41J 1/10; F41J 7/04; F41A
17/46; F41A 19/11
See application file for complete search history.

6,896,267	B1	5/2005	Le Anna	
6,983,938	B2	1/2006	Goldsmith	
6,994,349	B2	2/2006	Lambert et al.	
6,994,398	B2	2/2006	Gross	
7,052,012	B2*	5/2006	Dehart F41J 7/00 273/354

(Continued)

FOREIGN PATENT DOCUMENTS

CN 105135951 A 12/2015

OTHER PUBLICATIONS

“Do-All Outdoors—Black Back Auto Resetting Steel Target, Rated for 9mm—30-06 Caliber” [online]. Do-All Outdoors. [Product first available on Feb. 17, 2015]. Retrieved from the Internet: <<https://www.amazon.com/dp/B00N247W7K/>>.*

(Continued)

Primary Examiner — Mojtaba Tehrani
(74) *Attorney, Agent, or Firm* — Fox Rothschild LLP

(57) **CLAIM**

The ornamental design for a shooting target assembly, as shown and described.

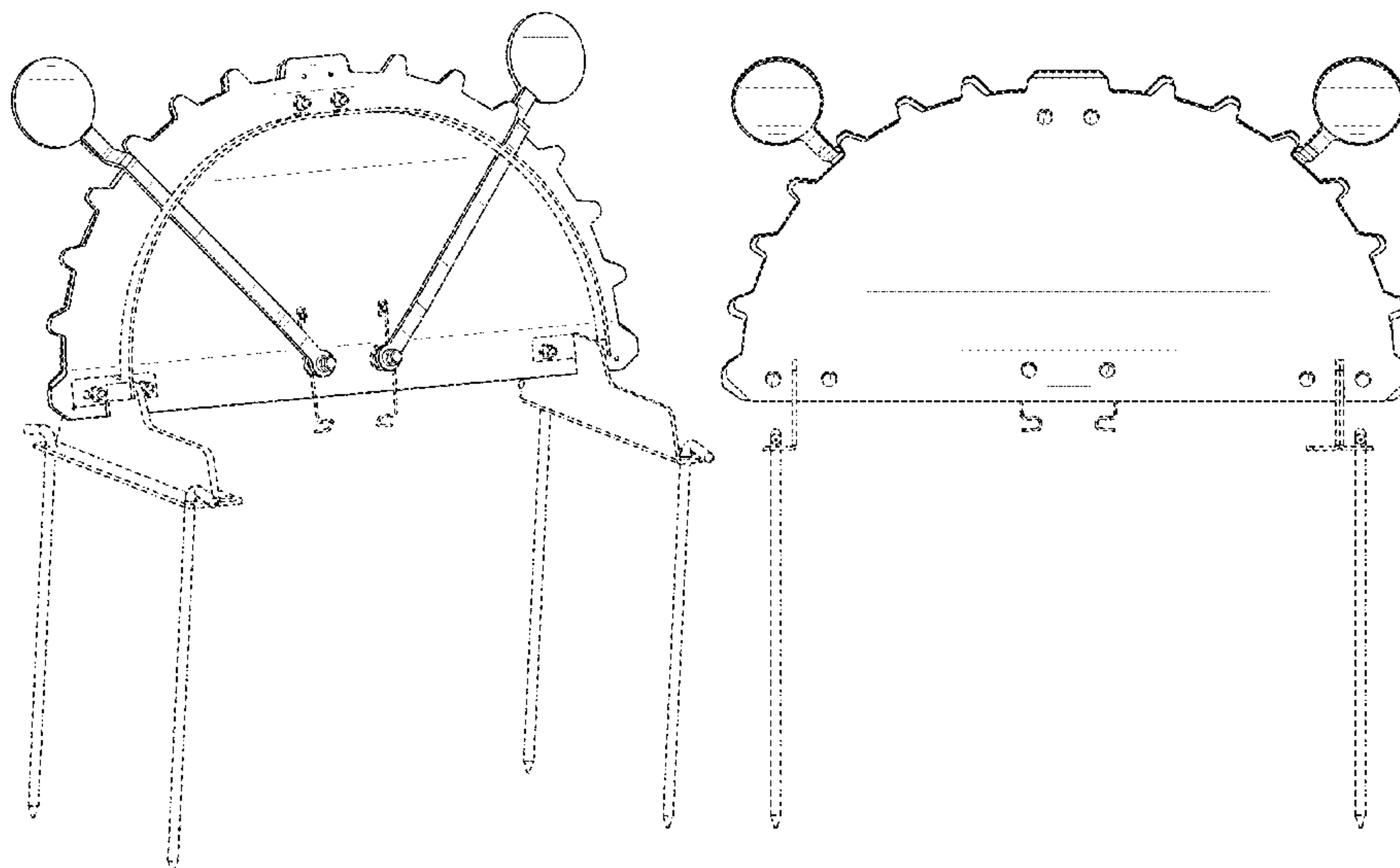
DESCRIPTION

FIG. 1 is perspective view of a shooting target assembly from a first side.
FIG. 2 is a rear perspective view of the shooting target assembly.
FIG. 3 is a perspective view of the shooting target assembly from a second side.
FIG. 4 is a front view of the shooting target assembly.
FIG. 5 is a top view of the shooting target assembly; and, FIG. 6 is a bottom view of the shooting target assembly.
In the drawings, the broken lines shown in FIGS. 1-6 indicate portions of the article not claimed, and form no part of the claimed design.

1 Claim, 6 Drawing Sheets

(56) **References Cited**
U.S. PATENT DOCUMENTS

434,522	A *	8/1890	Pederson F41J 7/04 273/390
966,056	A *	8/1910	Root A63F 9/02 273/334
1,616,270	A *	2/1927	Madden A63F 9/0204 273/401
D245,798	S *	9/1977	Norden D21/303
D254,017	S *	1/1980	Norden D21/303
D257,779	S *	1/1981	Sippola D21/699
4,949,980	A	8/1990	Hoy	
5,263,722	A	11/1993	Rosellen	
5,288,275	A	2/1994	St. Peter	
5,324,043	A	6/1994	Estrella	
5,584,480	A	12/1996	Grimsrud	
6,398,215	B1	6/2002	Carroll	
6,478,301	B1	11/2002	Witmeyer	



(56)

References Cited

U.S. PATENT DOCUMENTS

7,114,725 B2 10/2006 Camp et al.
 7,128,321 B1 * 10/2006 Brown F41J 5/18
 273/392
 7,134,977 B2 11/2006 Campbell et al.
 7,219,897 B2 5/2007 Sovine et al.
 7,306,229 B2 12/2007 Rolfe
 7,611,147 B2 * 11/2009 Sheldon F41J 7/06
 273/366
 7,690,656 B2 4/2010 Saunders
 7,731,197 B2 6/2010 Stutz
 7,988,155 B2 * 8/2011 Wyrick F41J 1/10
 273/407
 8,172,231 B2 5/2012 Massier
 8,444,150 B1 5/2013 Stirtz
 8,807,570 B1 * 8/2014 Zalar F41J 7/04
 273/390
 8,960,677 B2 * 2/2015 Mickelson F41J 1/10
 273/407
 9,163,912 B1 10/2015 Stark
 9,228,809 B1 1/2016 Relyea
 9,303,959 B2 * 4/2016 Doria F41J 1/10
 9,446,301 B2 9/2016 Leimberer
 9,513,091 B2 12/2016 Roberts
 9,541,356 B2 * 1/2017 Bullis F41J 1/10
 9,574,855 B2 2/2017 Davis
 D815,241 S * 4/2018 Woller D22/113

10,119,795 B2 11/2018 Daub et al.
 D878,469 S * 3/2020 Kinner D21/301
 2004/0195775 A1 10/2004 Goldsmith
 2004/0201172 A1 10/2004 Goldsmith
 2004/0239035 A1 12/2004 Lambert et al.
 2009/0256314 A1 10/2009 Kobett
 2010/0225063 A1 9/2010 Wyrick et al.
 2011/0163503 A1 7/2011 Townsend
 2011/0227288 A1 * 9/2011 Krickovic A63F 9/0204
 273/348
 2013/0207347 A1 8/2013 Sovine
 2015/0130136 A1 5/2015 Blichall
 2015/0260487 A1 9/2015 Steil
 2015/0268013 A1 9/2015 Heise
 2015/0285593 A1 10/2015 Dribben
 2016/0018197 A1 1/2016 Dyck
 2016/0195369 A1 7/2016 Perry et al.
 2016/0213989 A1 7/2016 Fristaczki

OTHER PUBLICATIONS

“Michael Bane talks about Action Target’s Rimfire Steel” [online].
 Action Target. [Published on May 2, 2013]. Retrieved from the
 Internet: <<https://www.youtube.com/watch?v=V01ki4YO3IE>>.*
 Information about Related Patents and Patent Applications, see
 section 6 of the accompanying Information Disclosure Statement
 Letter, which concerns Related Patents and Patent Applications.

* cited by examiner

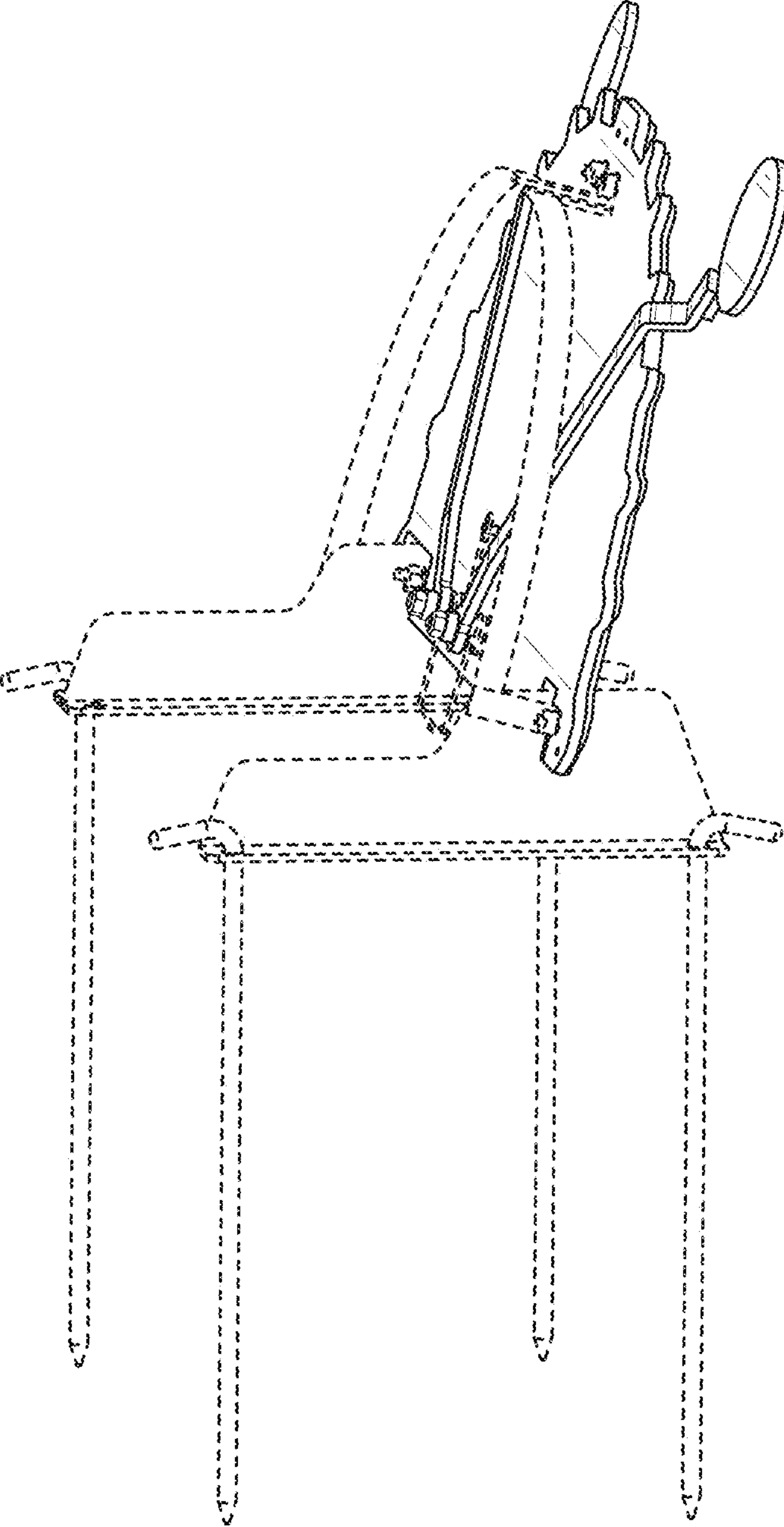


FIG. 1

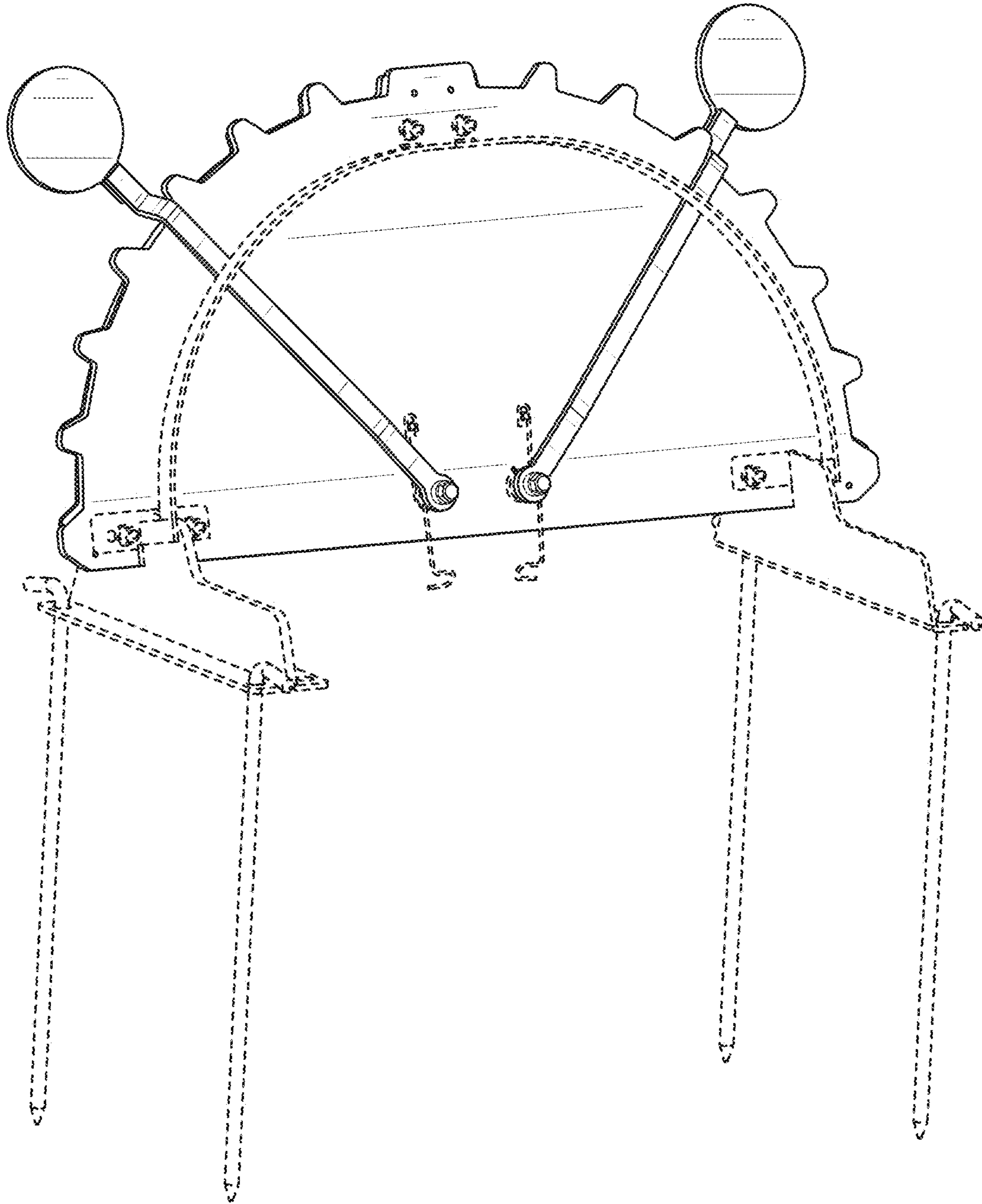


FIG. 2

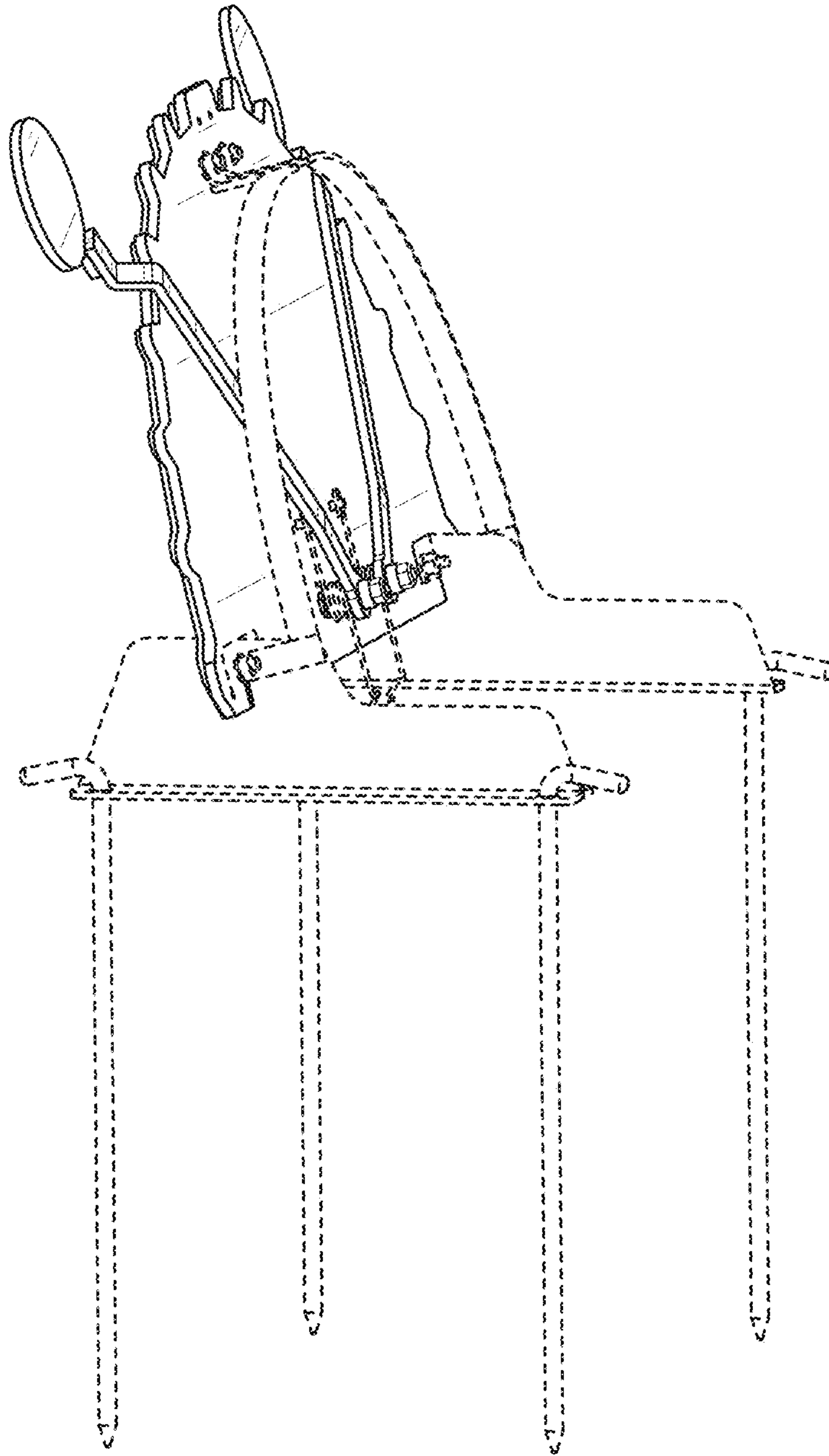


FIG. 3

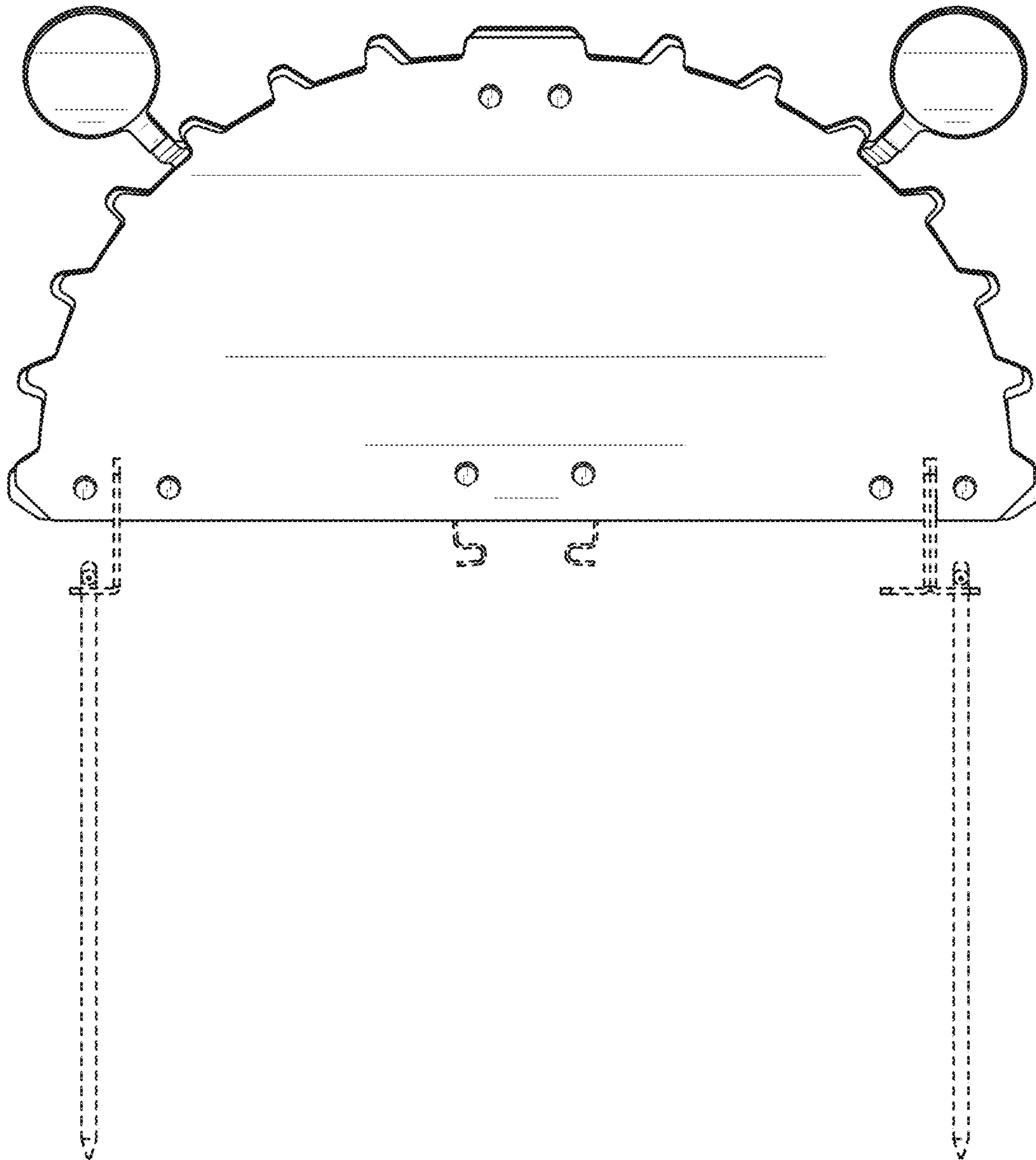


FIG. 4

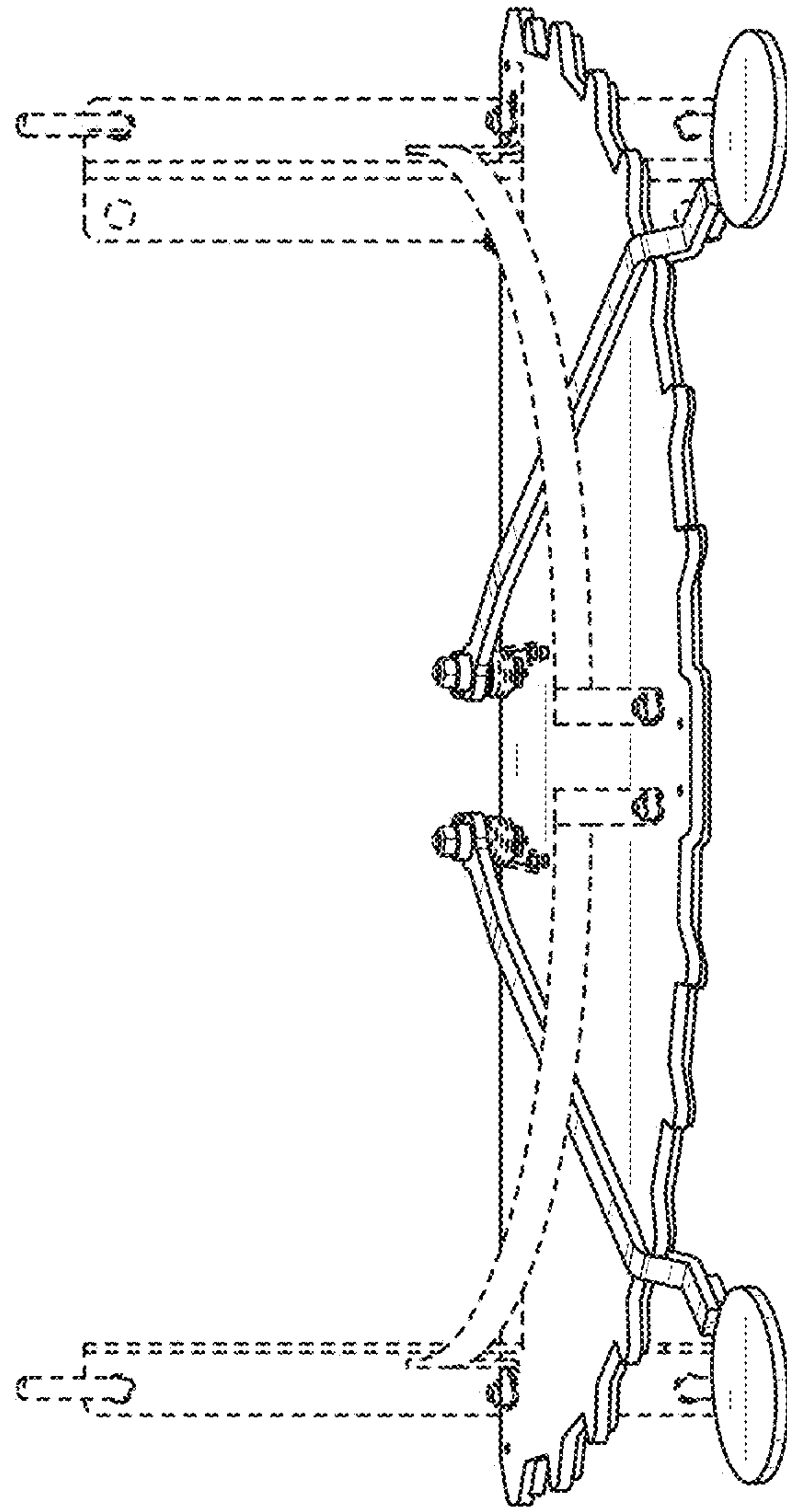


FIG. 5

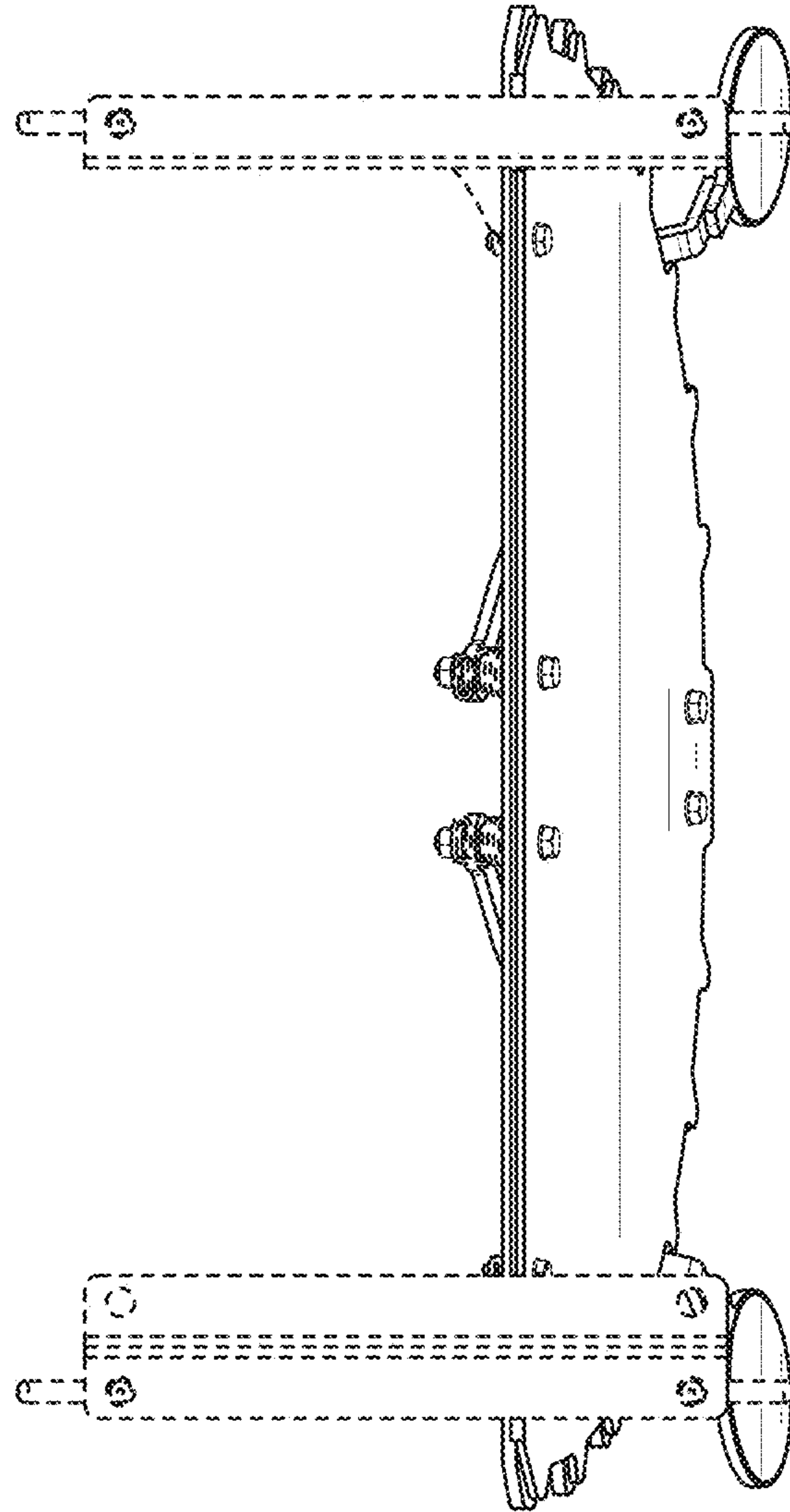


FIG. 6