



US00D926915S

(12) **United States Design Patent**
Zheng

(10) **Patent No.:** **US D926,915 S**

(45) **Date of Patent:** **** Aug. 3, 2021**

(54) **MAGAZINE LOADER**

(71) Applicant: **Yunbin Zheng**, Putian (CN)

(72) Inventor: **Yunbin Zheng**, Putian (CN)

(**) Term: **15 Years**

(21) Appl. No.: **29/776,829**

(22) Filed: **Apr. 1, 2021**

(51) **LOC (13) Cl.** **22-03**

(52) **U.S. Cl.**
USPC **D22/108**

(58) **Field of Classification Search**
USPC D22/108
CPC F41A 9/82; F41A 9/83
See application file for complete search history.

(56) **References Cited**

U.S. PATENT DOCUMENTS

D700,266 S *	2/2014	Tal	D22/108
D728,066 S *	4/2015	Tal	D22/199
D753,781 S *	4/2016	Cauley, Jr.	D22/108
D770,588 S *	11/2016	Cauley, Jr.	D22/108
D790,030 S *	6/2017	Ulbrich	D22/108
D799,632 S *	10/2017	Ulbrich	D22/108
D815,235 S *	4/2018	Grego	D22/108
D836,178 S *	12/2018	Hefer	D22/108
D896,340 S	9/2020	Derus et al.		

D900,270 S	10/2020	Hefer et al.		
10,900,730 B1 *	1/2021	Loveday, IV	F41A 9/83
D919,035 S *	5/2021	Chen	D22/108
2004/0159035 A1 *	8/2004	Newman	F41A 9/83
				42/87
2014/0317985 A1 *	10/2014	Cauley, Jr.	F41A 9/83
				42/87
2015/0377573 A1 *	12/2015	Niccum	F41A 9/83
				42/87

* cited by examiner

Primary Examiner — Charles D Hanson

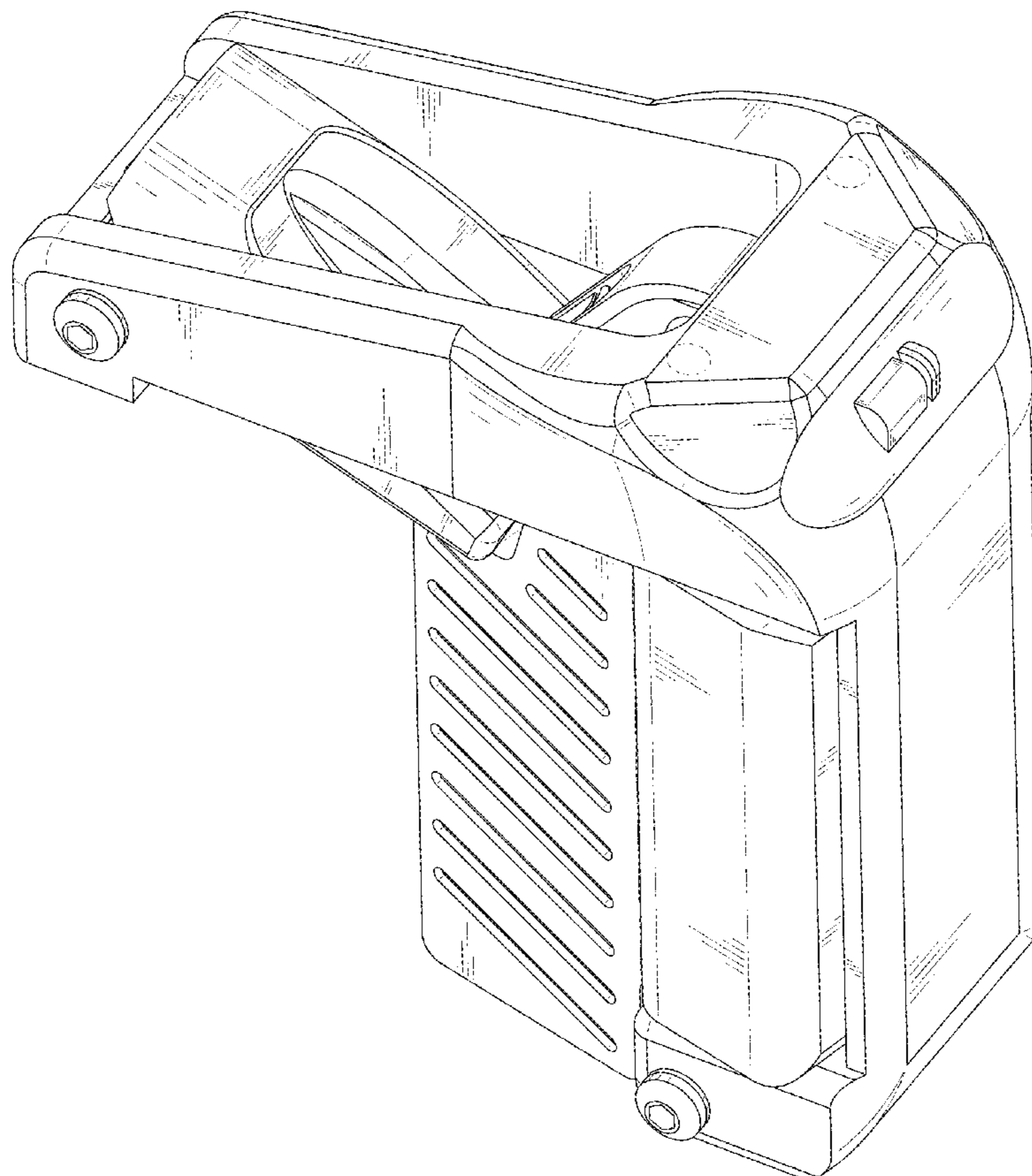
(57) **CLAIM**

The ornamental design for a magazine loader, as shown and described.

DESCRIPTION

FIG. 1 is a perspective view of a magazine loader showing my new design;
 FIG. 2 is another perspective view thereof;
 FIG. 3 is another perspective view thereof;
 FIG. 4 is a front elevational view thereof;
 FIG. 5 is a rear elevational view thereof;
 FIG. 6 is a left side elevational view thereof;
 FIG. 7 is a right side elevational view thereof;
 FIG. 8 is a top plan view thereof; and,
 FIG. 9 is a bottom plan view thereof.
 The broken lines in the drawings depict portions of the magazine loader that form no part of the claimed design.

1 Claim, 9 Drawing Sheets



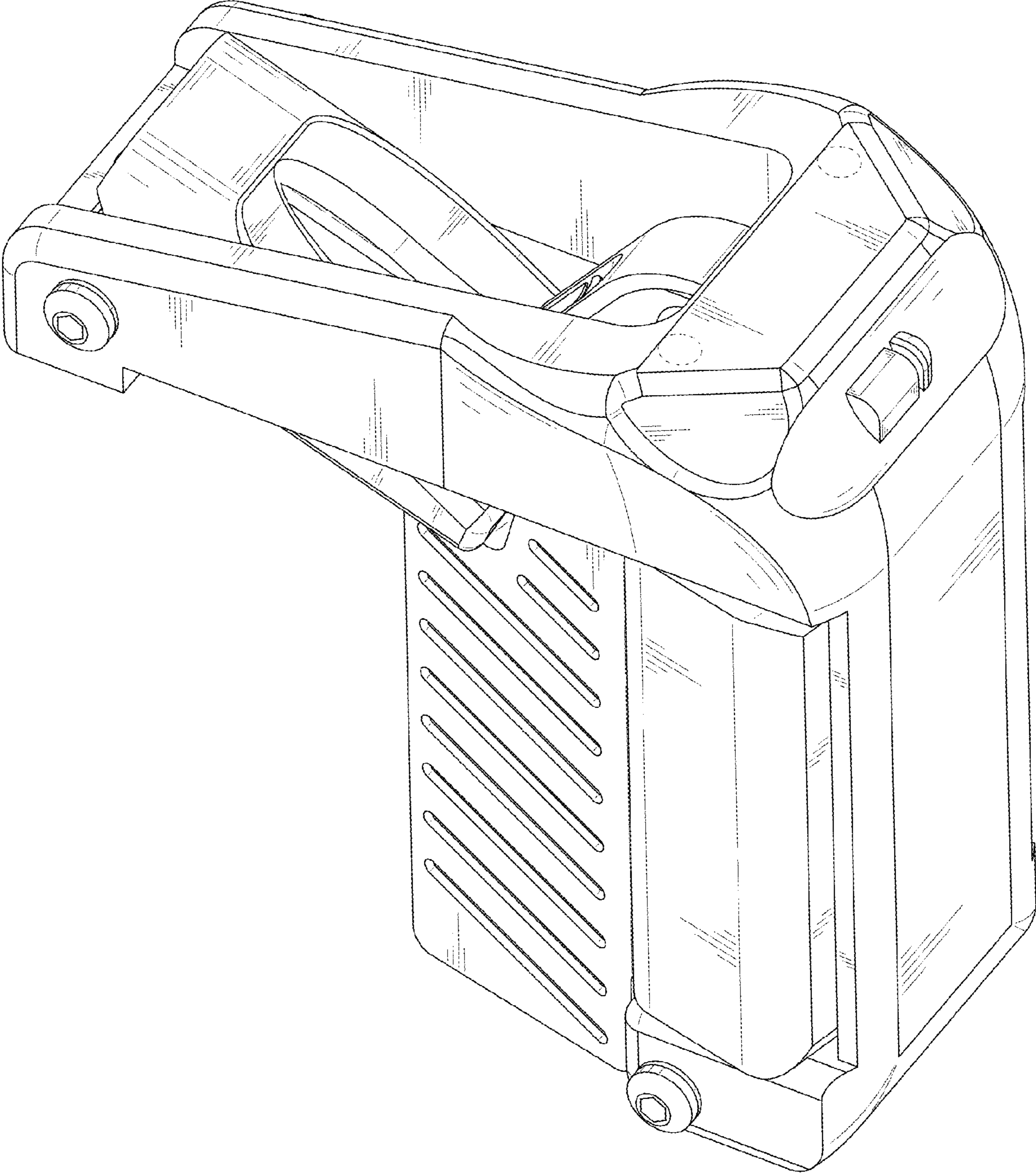


FIG. 1

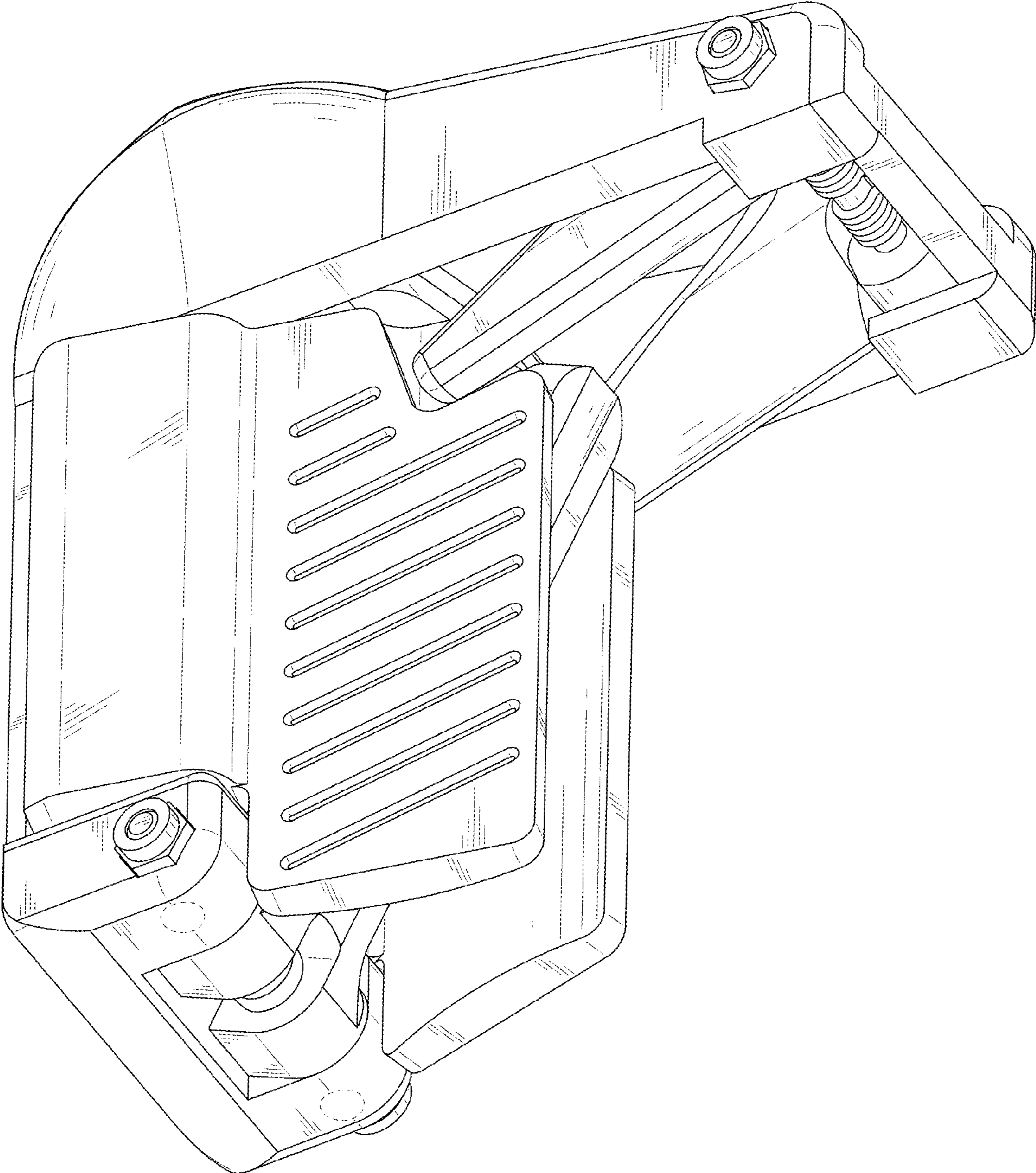


FIG. 2

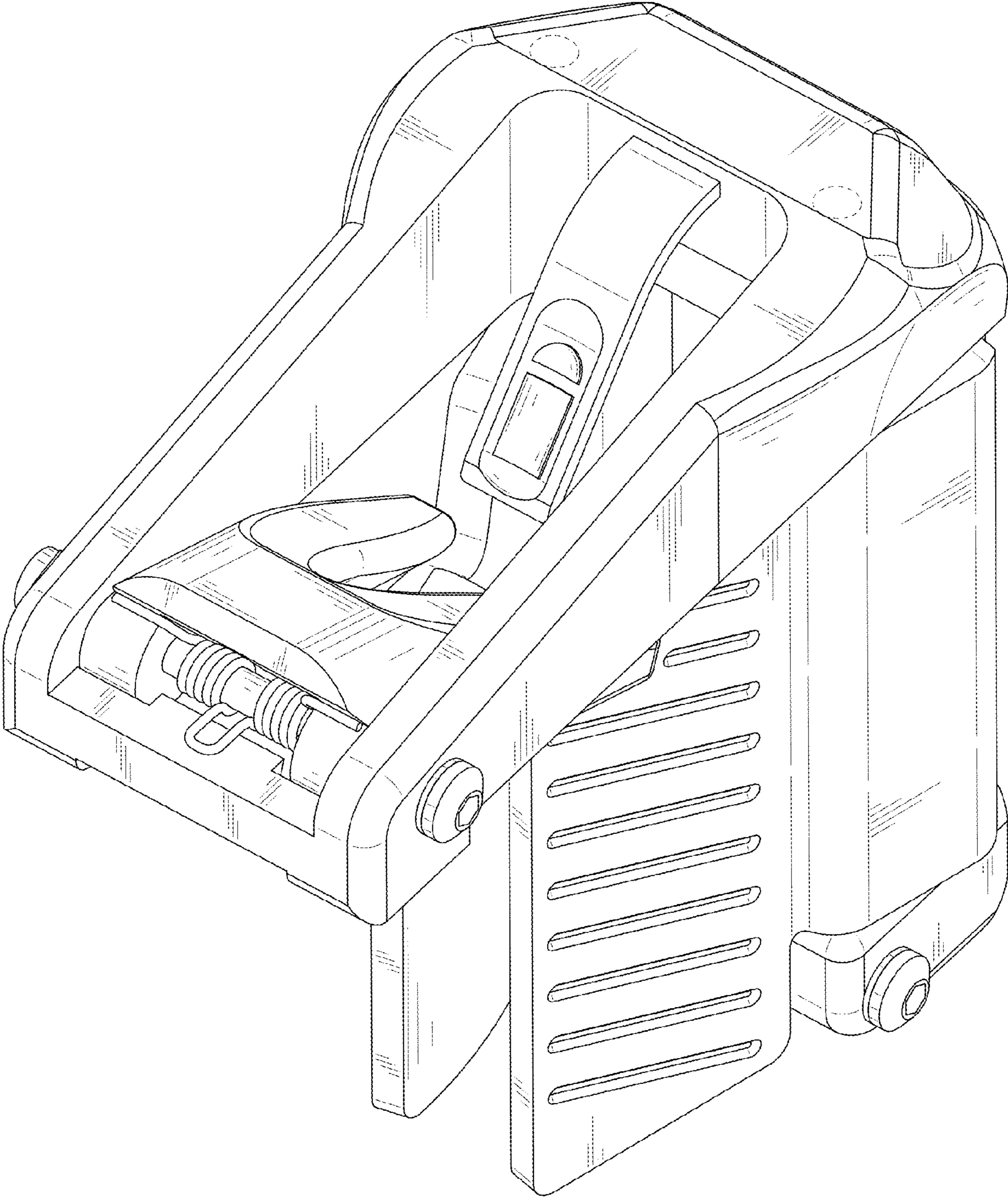


FIG. 3

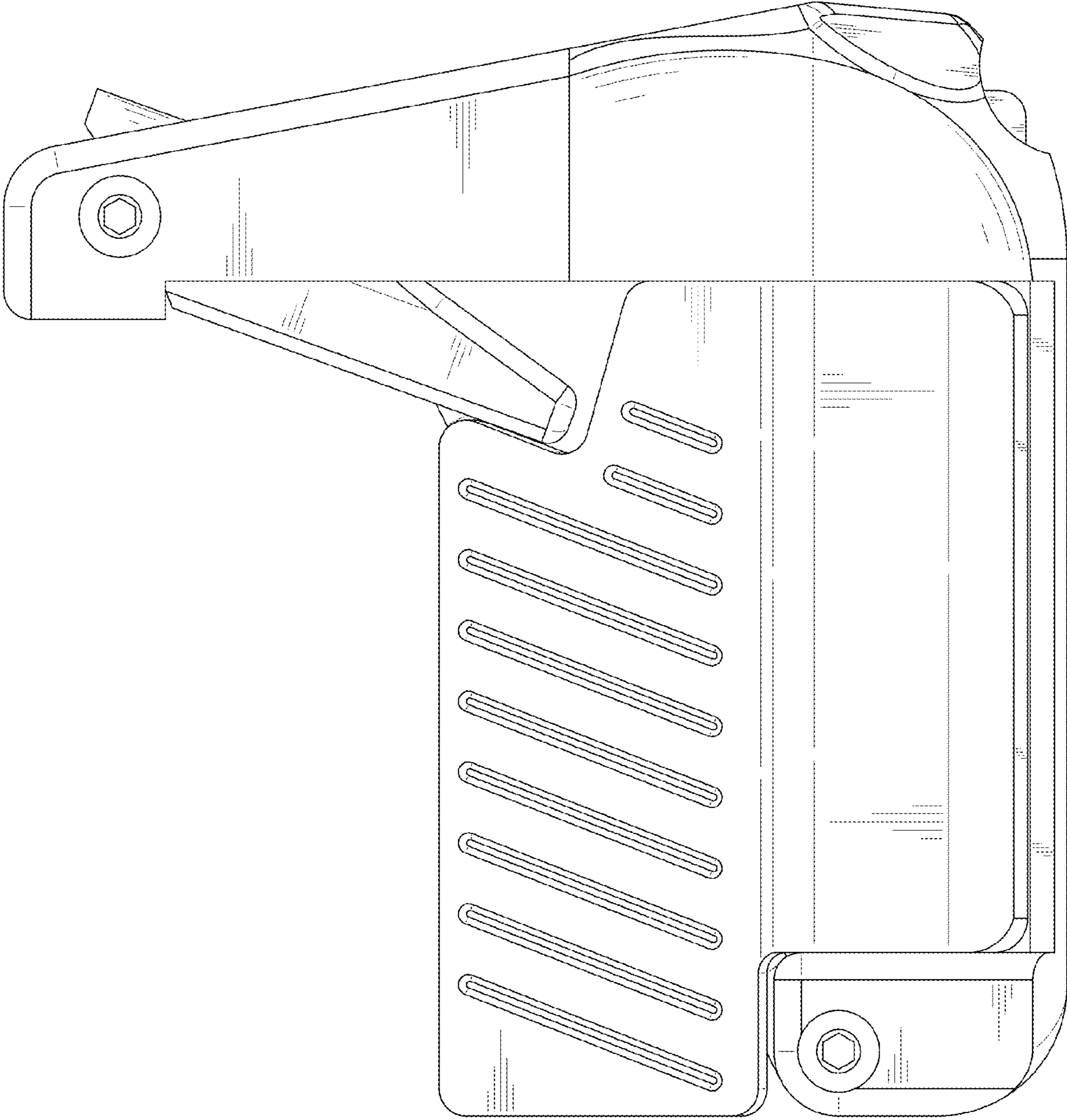


FIG. 4

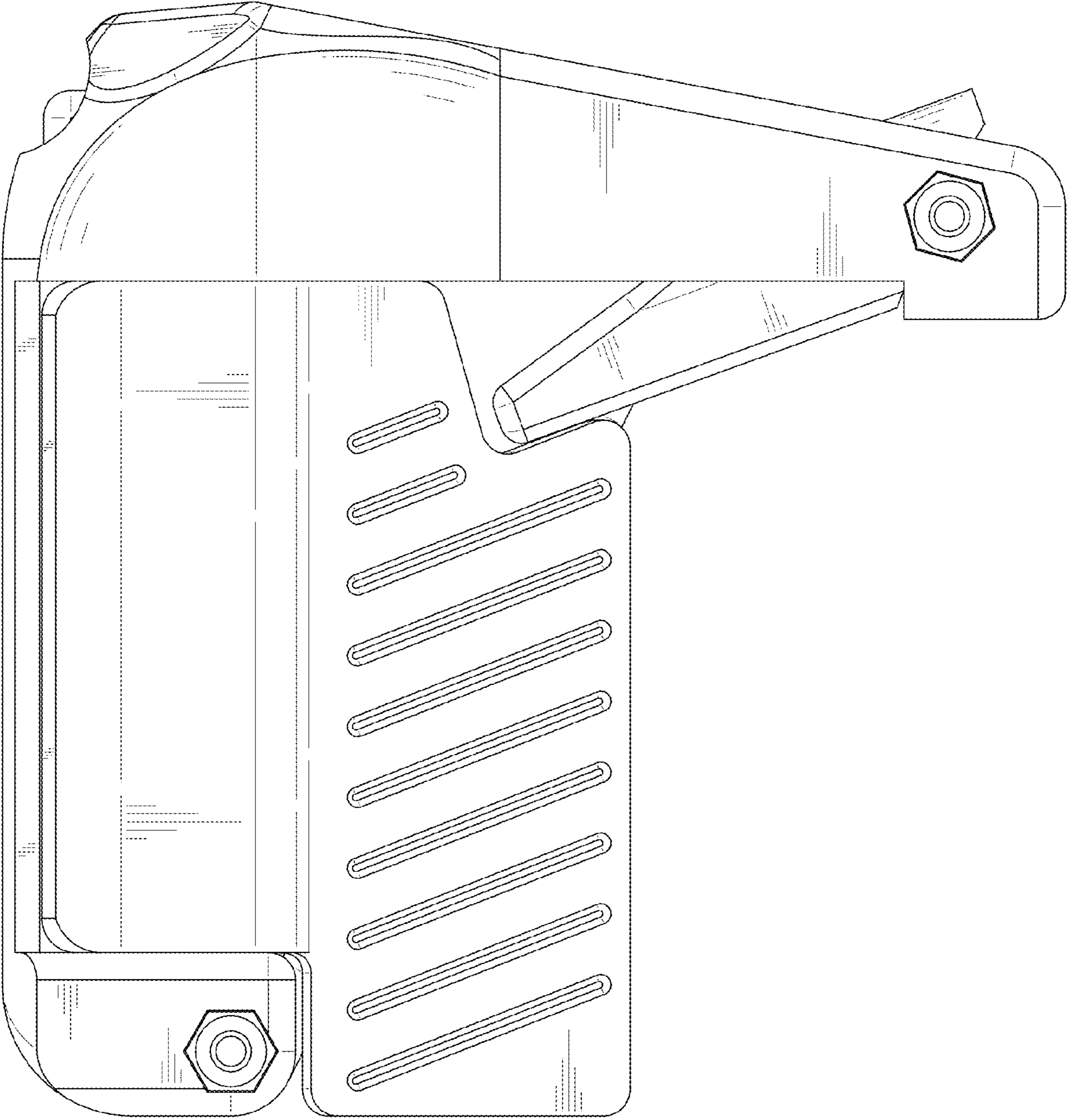


FIG. 5

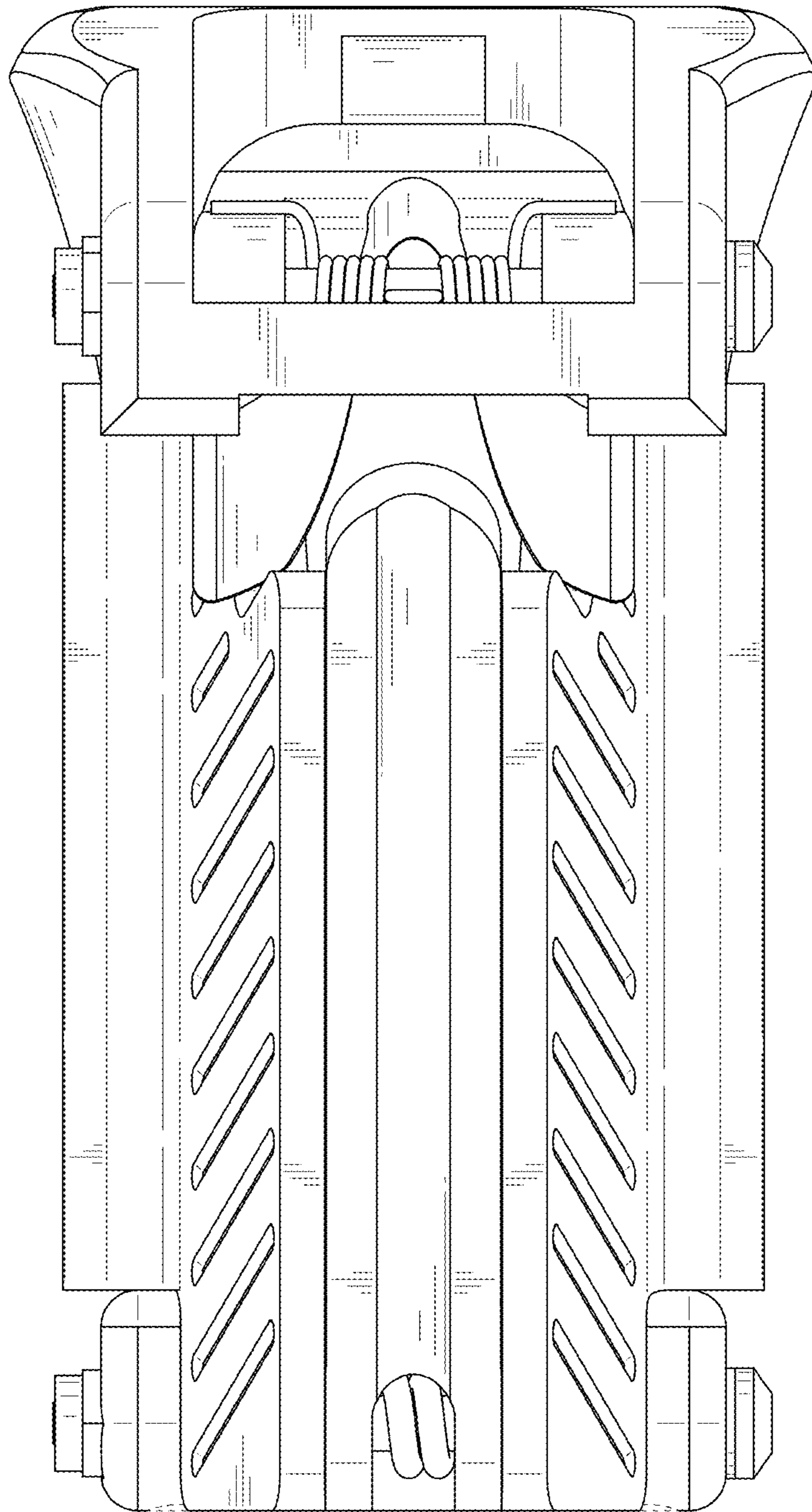


FIG. 6

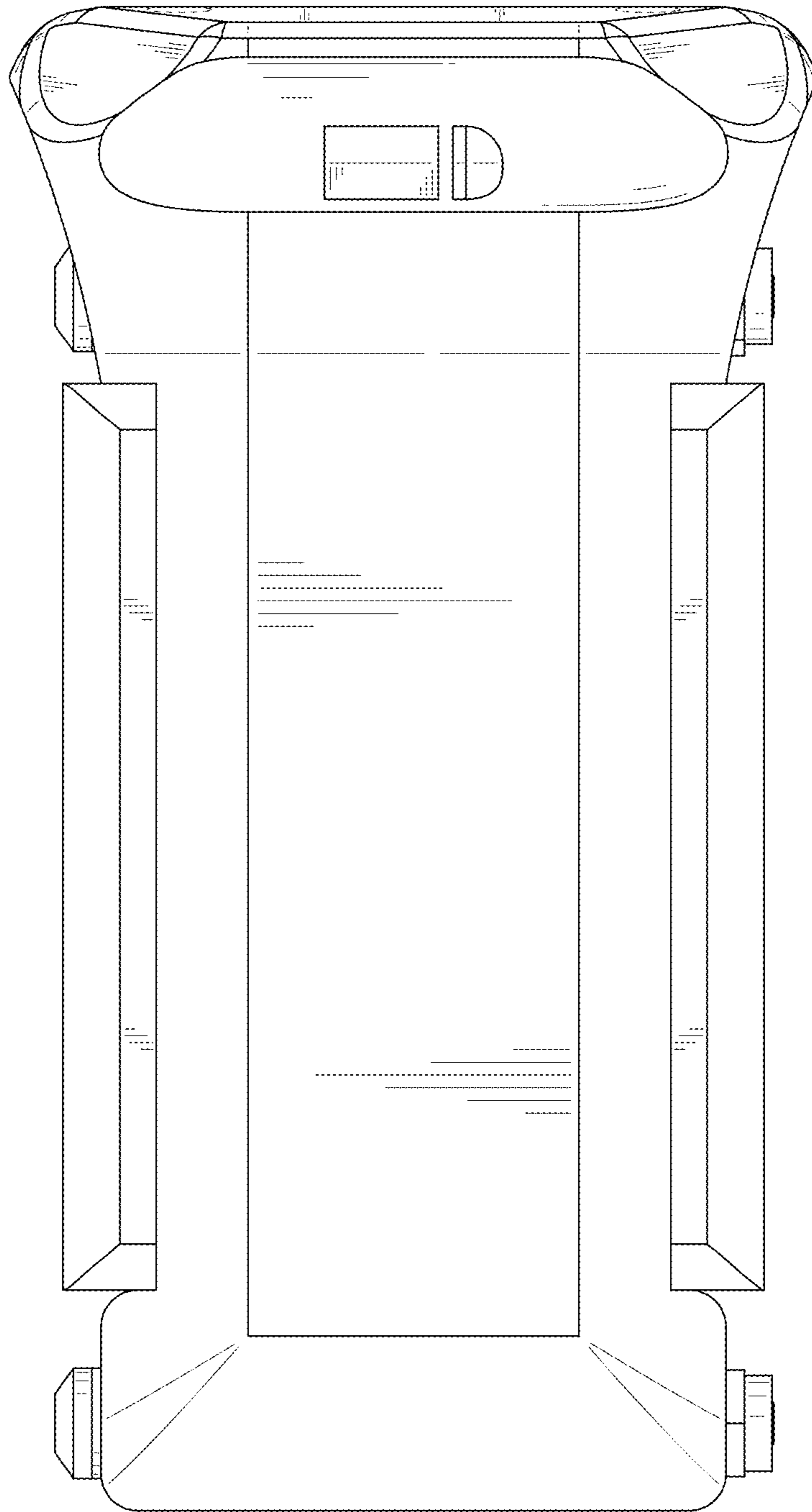


FIG. 7

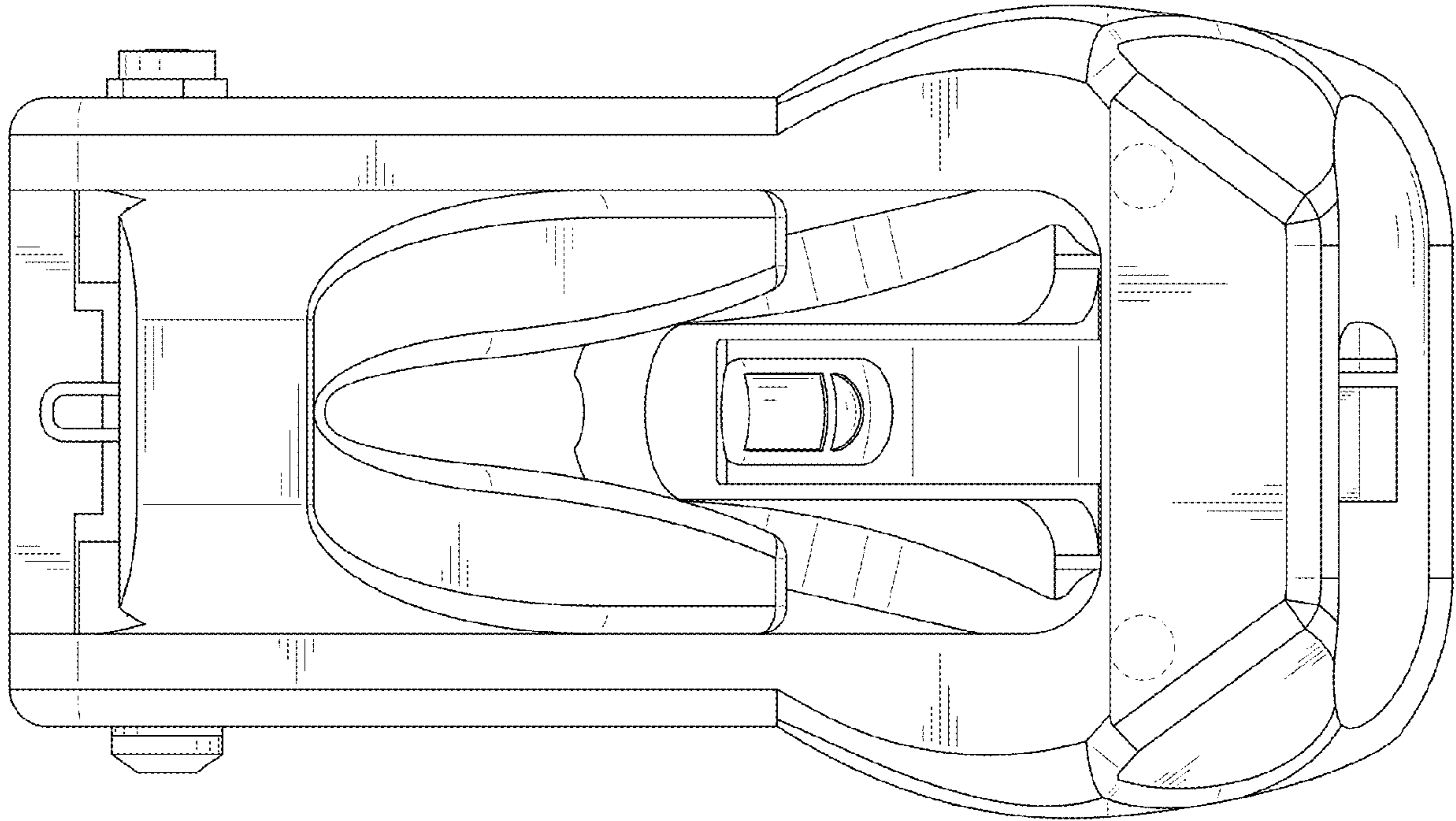


FIG. 8

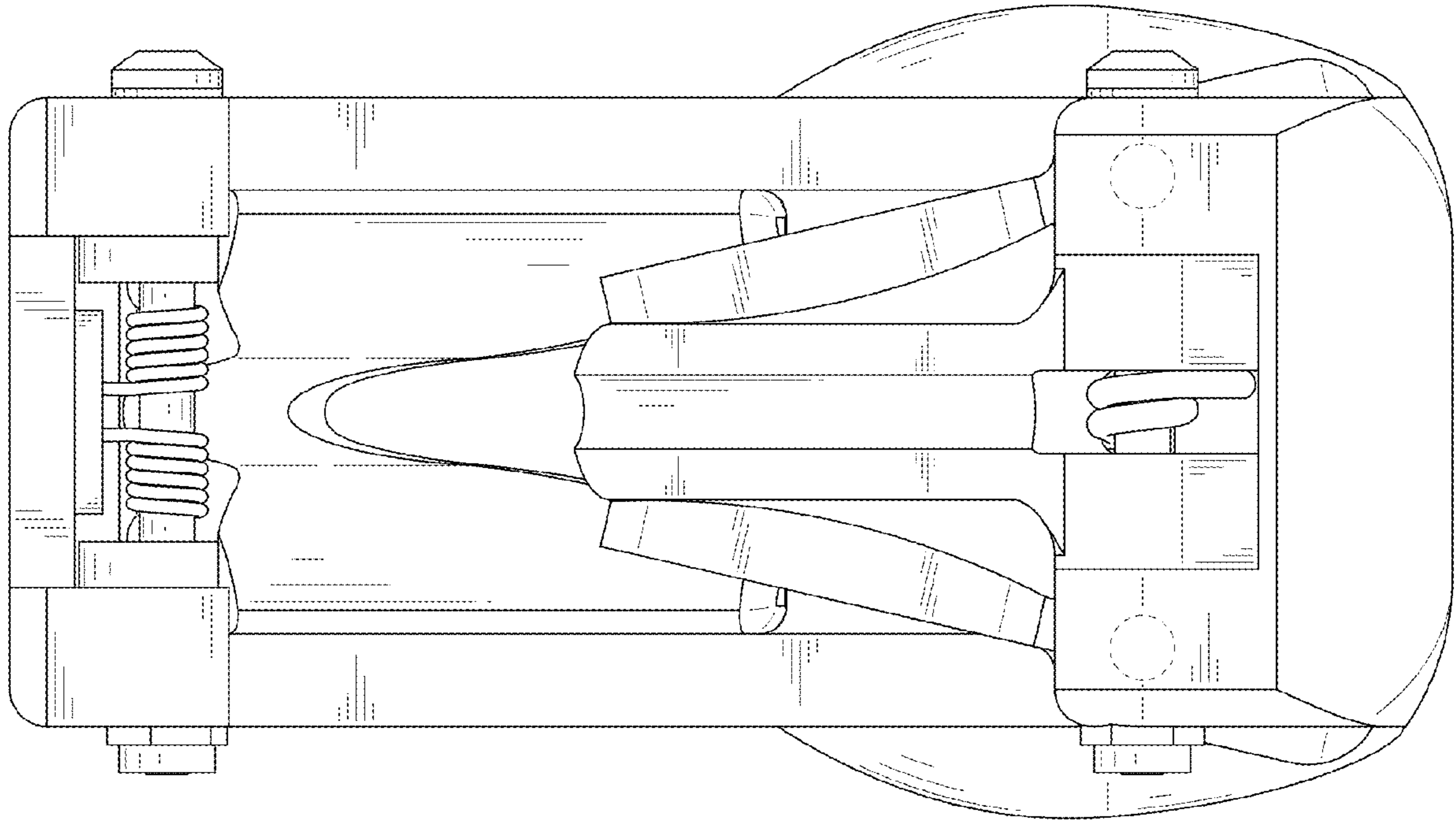


FIG. 9