



US00D926913S

(12) **United States Design Patent**
Bender

(10) **Patent No.:** **US D926,913 S**

(45) **Date of Patent:** **** Aug. 3, 2021**

(54) **FIREARM TRIGGER**

(71) Applicant: **In Ovation LLC**, Vadnais Heights, MN (US)

(72) Inventor: **Terrence Dwight Bender**, Minneapolis, MN (US)

(73) Assignee: **In Ovation LLC**, Vadnais Heights, MN (US)

(**) Term: **15 Years**

(21) Appl. No.: **29/701,194**

(22) Filed: **Aug. 8, 2019**

(51) **LOC (13) Cl.** **22-01**

(52) **U.S. Cl.**
USPC **D22/108**

(58) **Field of Classification Search**
USPC D22/108; D8/68; D21/572
CPC F41A 19/10; F41A 17/46; F41A 35/00;
F41A 19/09; F41A 19/11; F41A 19/21;
F41C 27/00

See application file for complete search history.

(56) **References Cited**

U.S. PATENT DOCUMENTS

D659,790 S * 5/2012 Geissele D22/108
D740,907 S * 10/2015 Oglesby D22/108

D764,004 S * 8/2016 Bender D22/108
D777,285 S * 1/2017 Bender D22/108
D835,743 S * 12/2018 Bender D22/108
D868,928 S * 12/2019 Geissele D22/108

* cited by examiner

Primary Examiner — Michael A. Pratt

(74) *Attorney, Agent, or Firm* — Laabs Intellectual Property

(57) **CLAIM**

The ornamental design for a firearm trigger, as shown and described.

DESCRIPTION

FIG. 1 is a front-right angled view of a firearm trigger, showing the new design.

FIG. 2 is a right-rear angled view thereof.

FIG. 3 is a front view thereof.

FIG. 4 is a back view thereof.

FIG. 5 is a right-side view thereof.

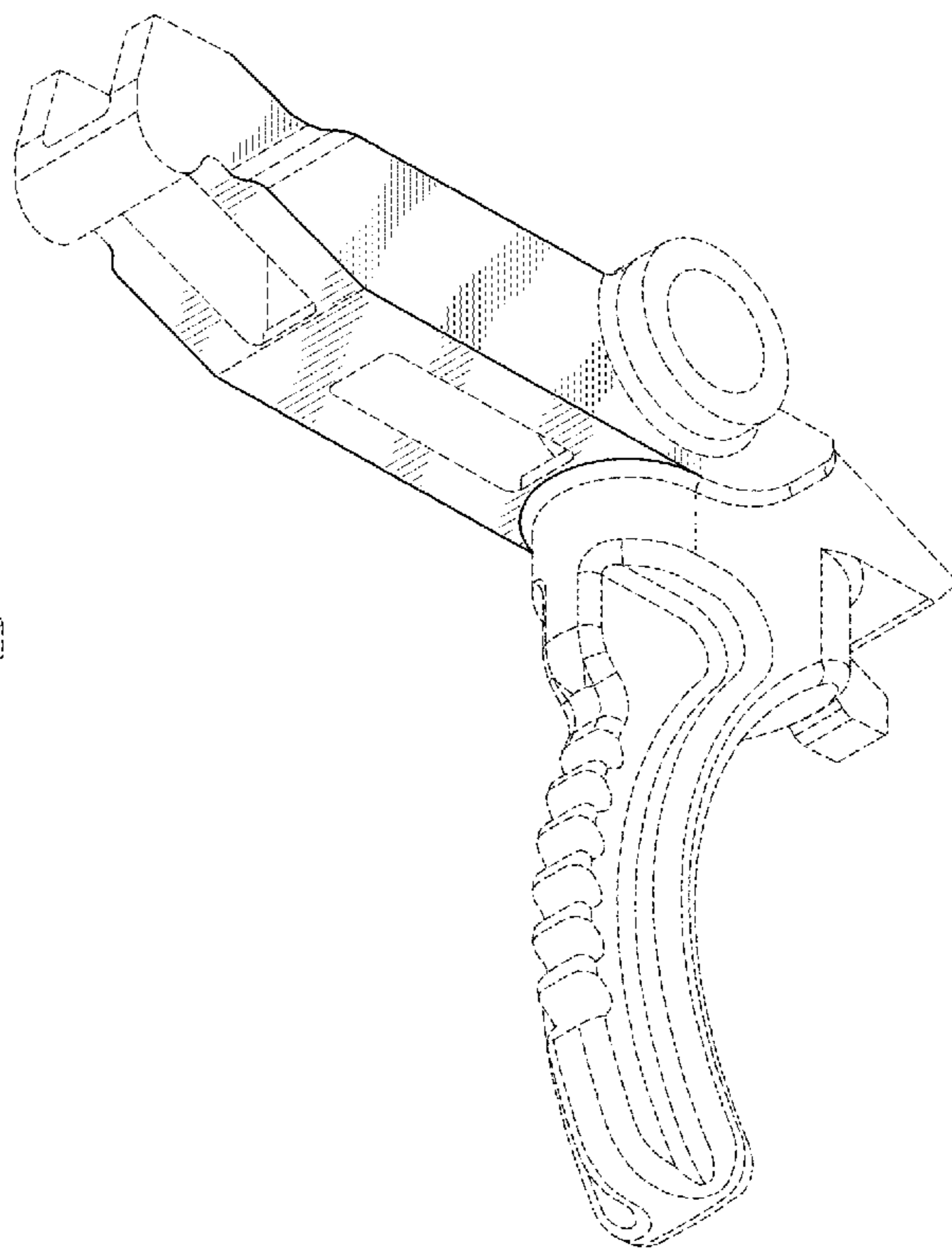
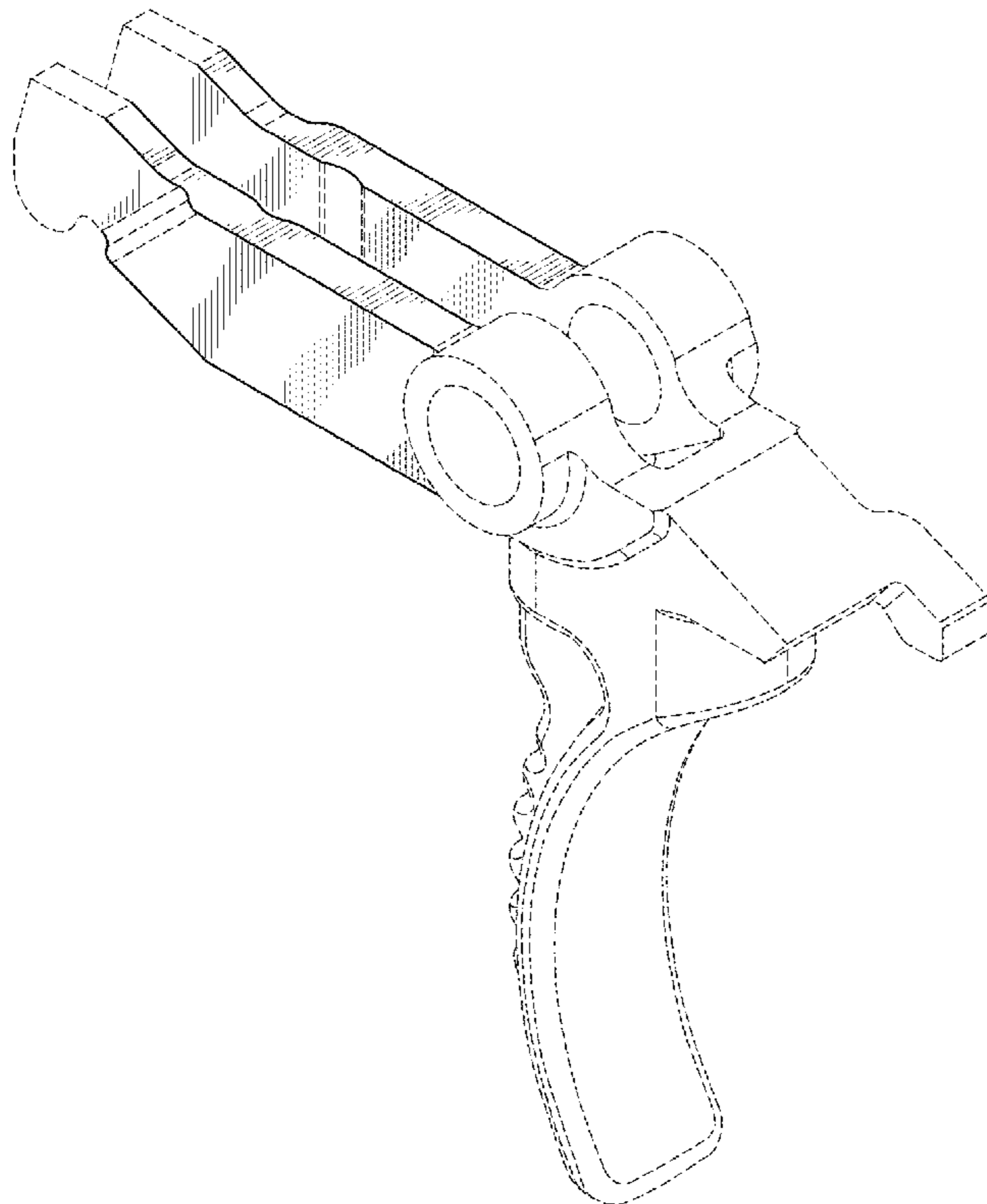
FIG. 6 is a left-side view thereof.

FIG. 7 is a top view thereof; and,

FIG. 8 is a bottom view thereof.

The broken lines in the Figures depict unclaimed portions of the device and are for illustrative purposes only. The broken lines form no part of the claimed design.

1 Claim, 7 Drawing Sheets



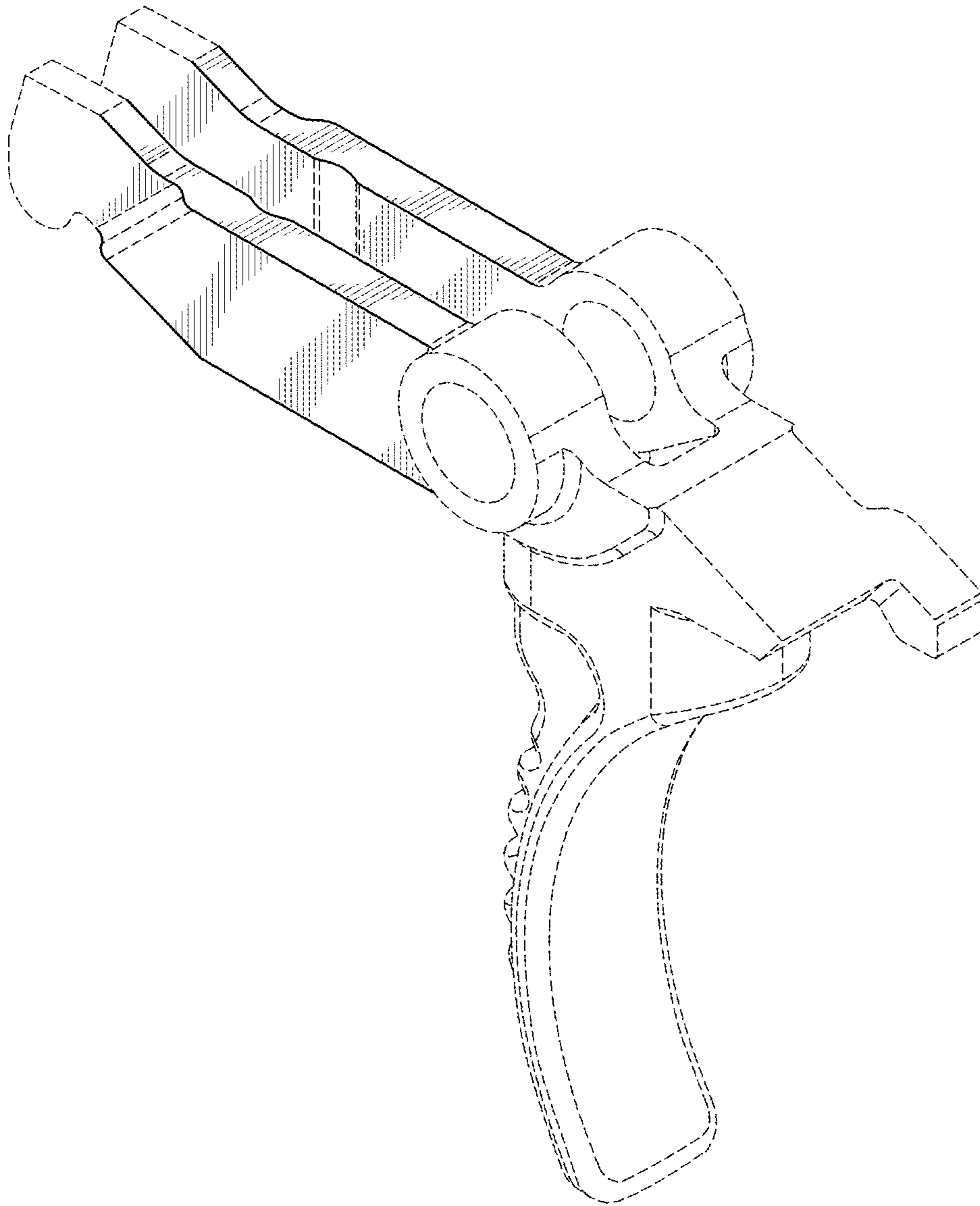


FIG. 1

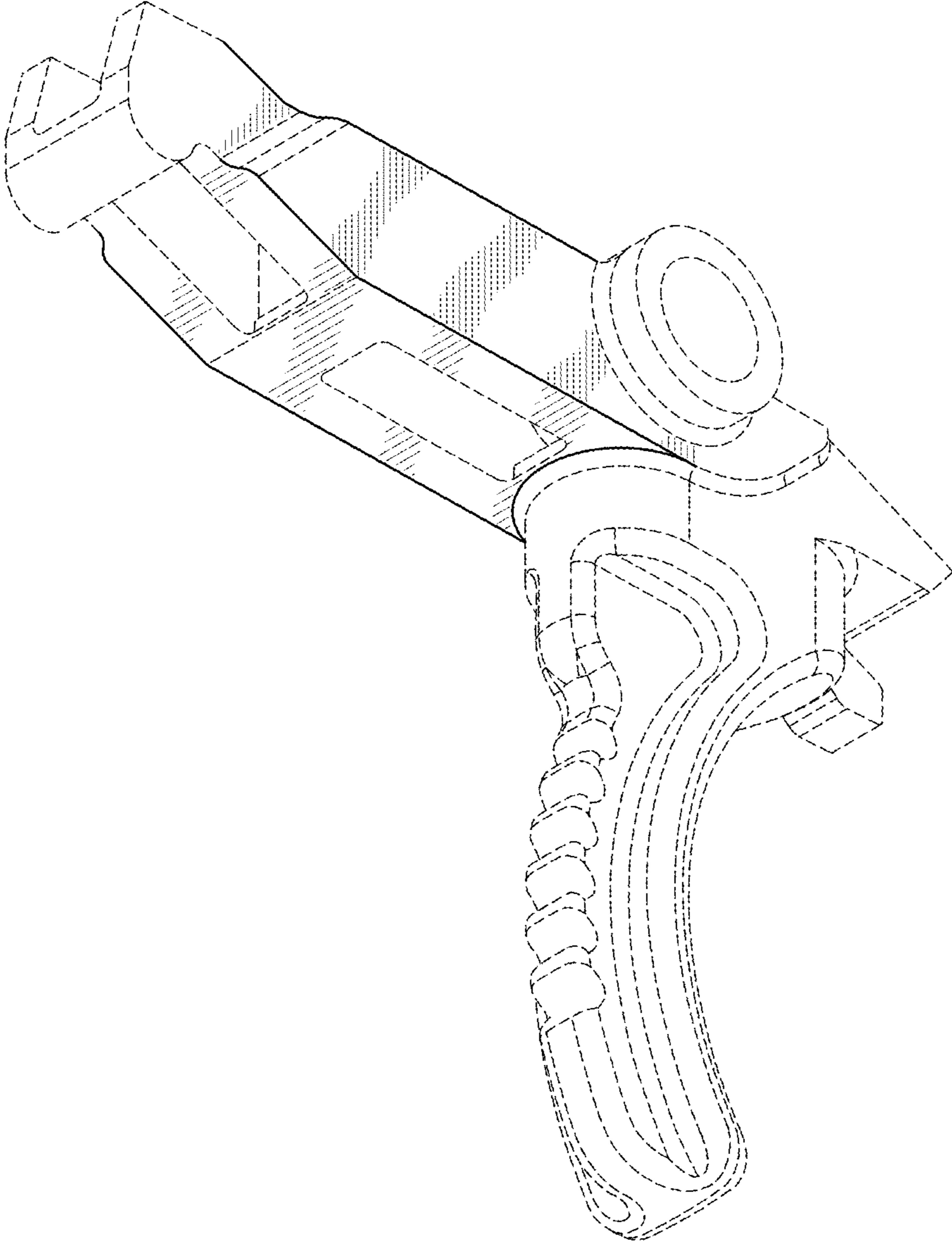


FIG. 2

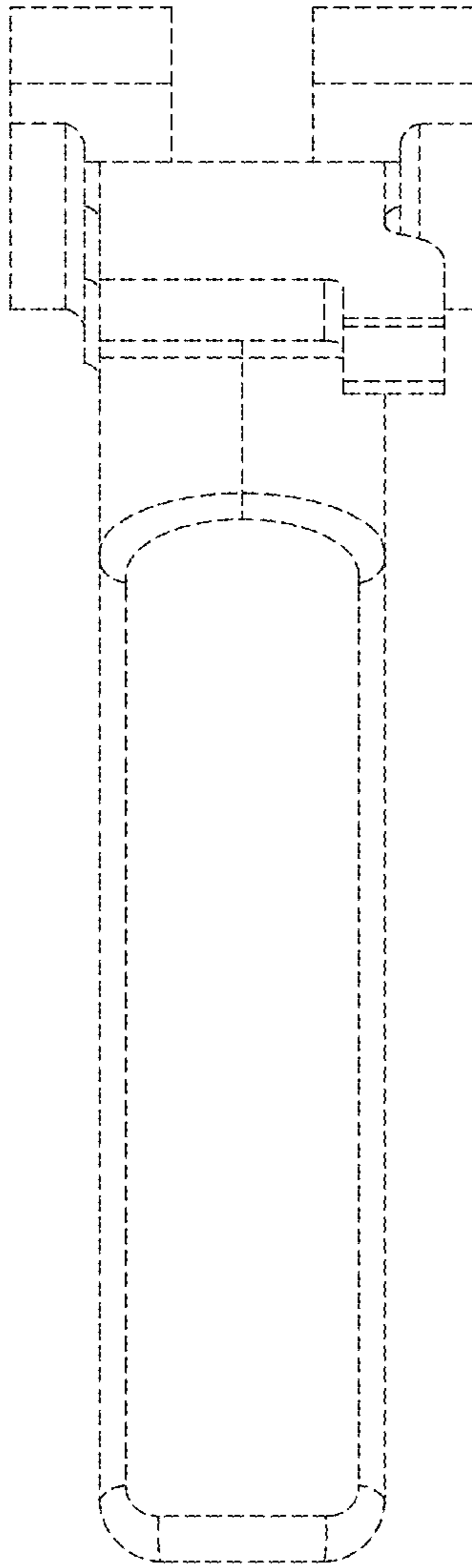


FIG. 3

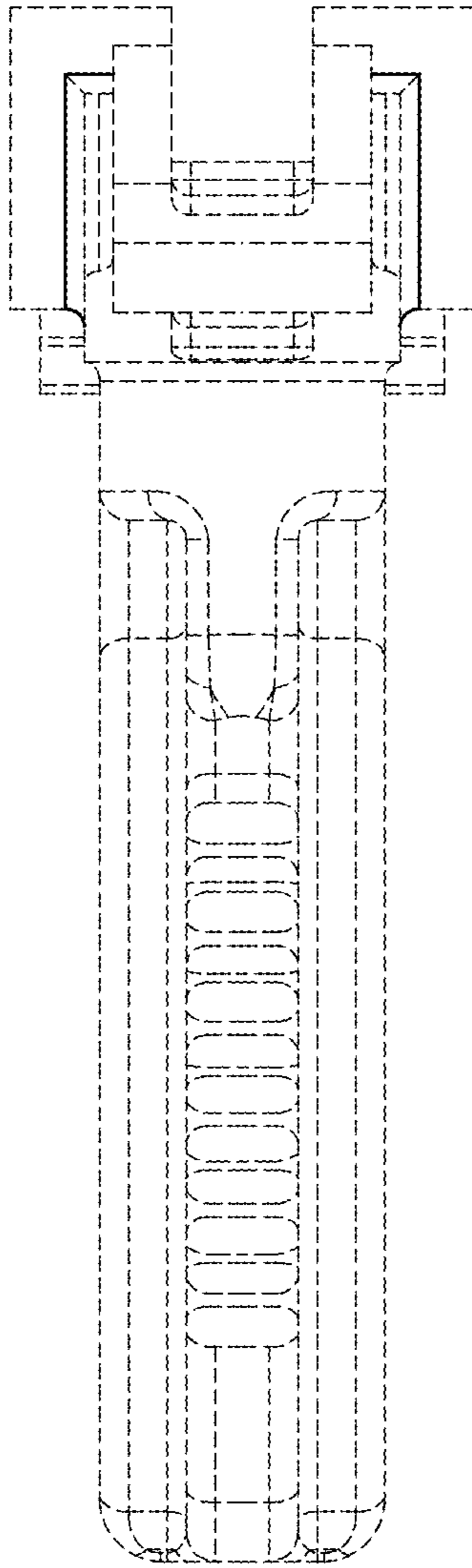


FIG. 4

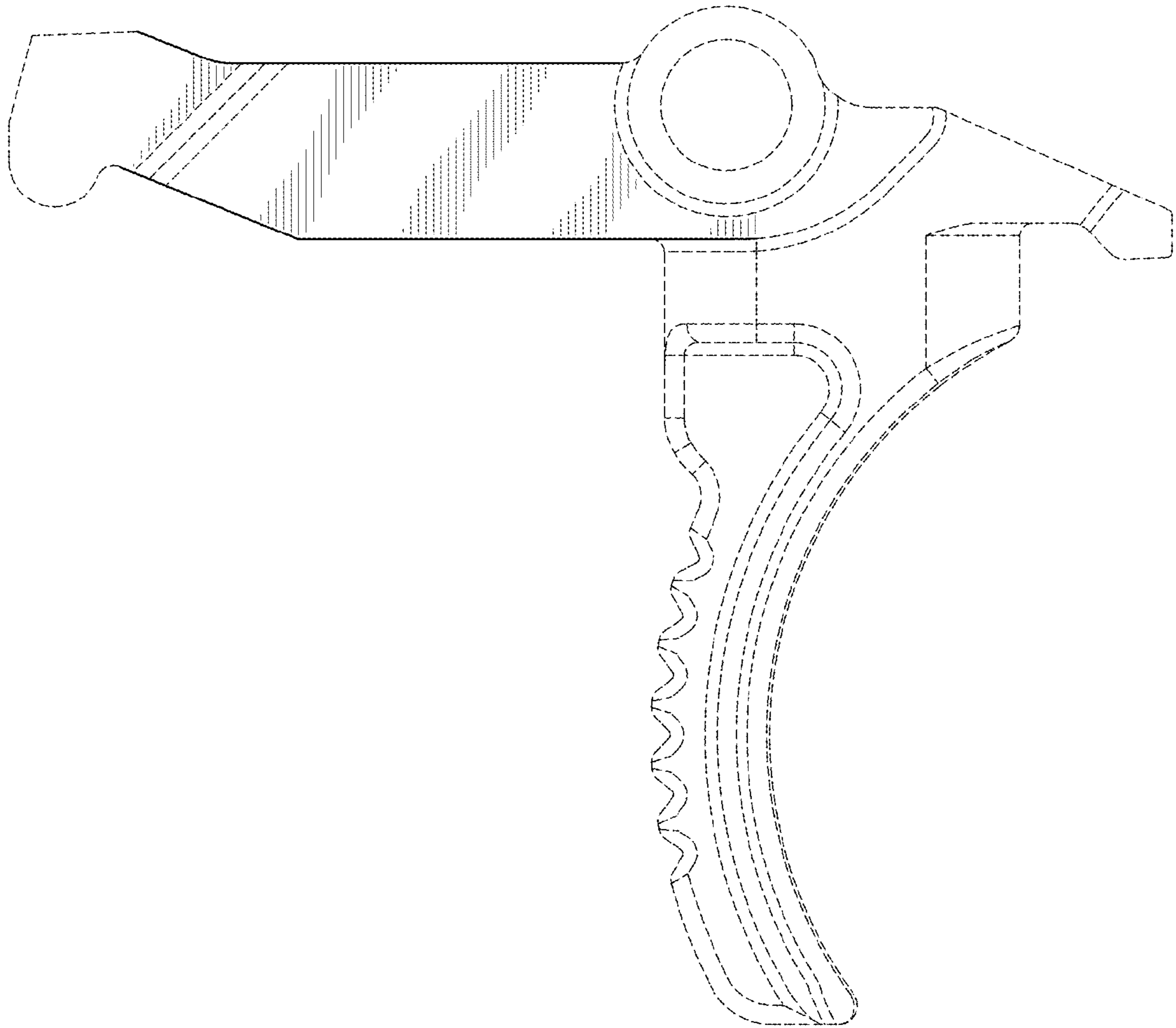


FIG. 5

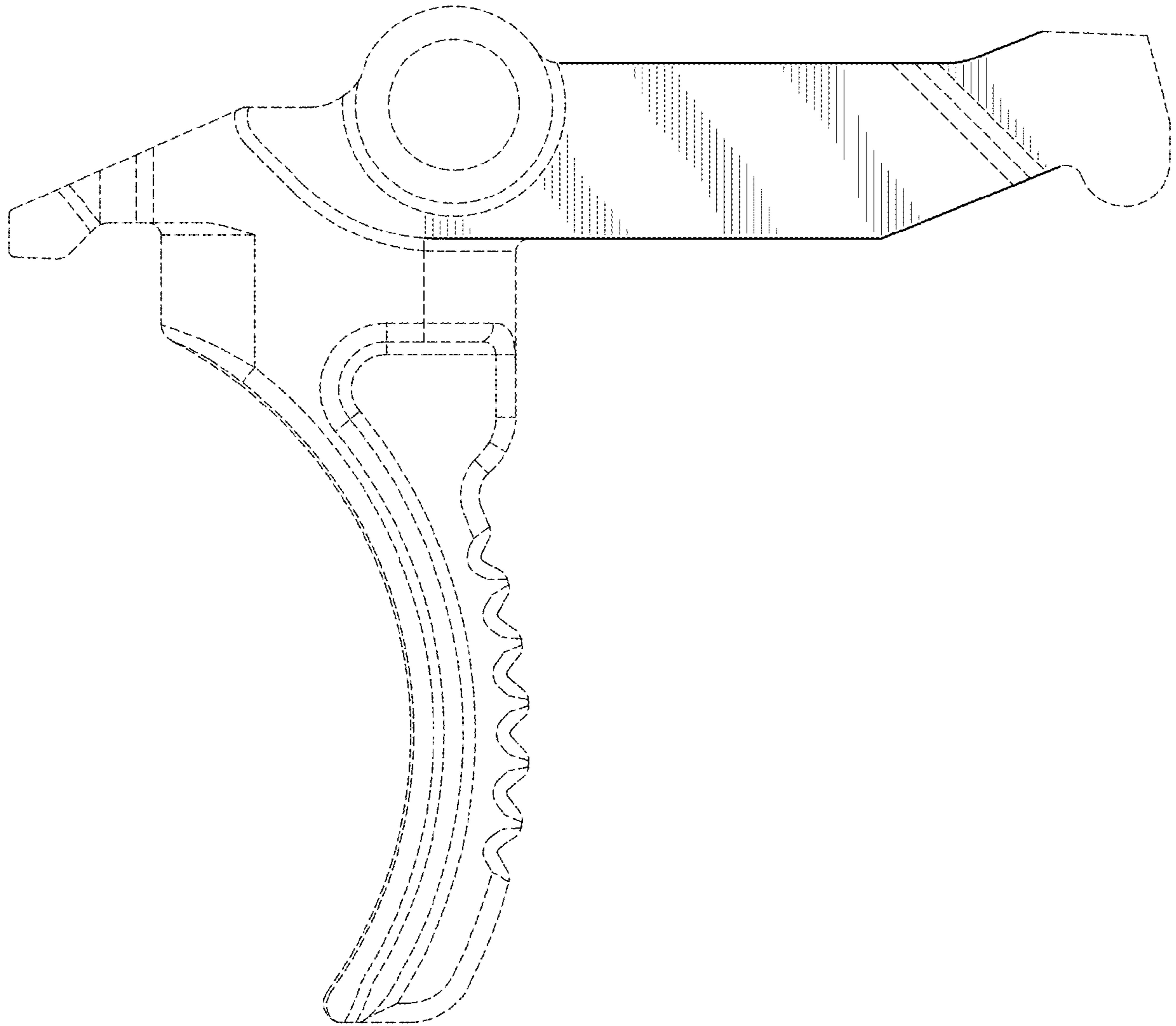


FIG. 6

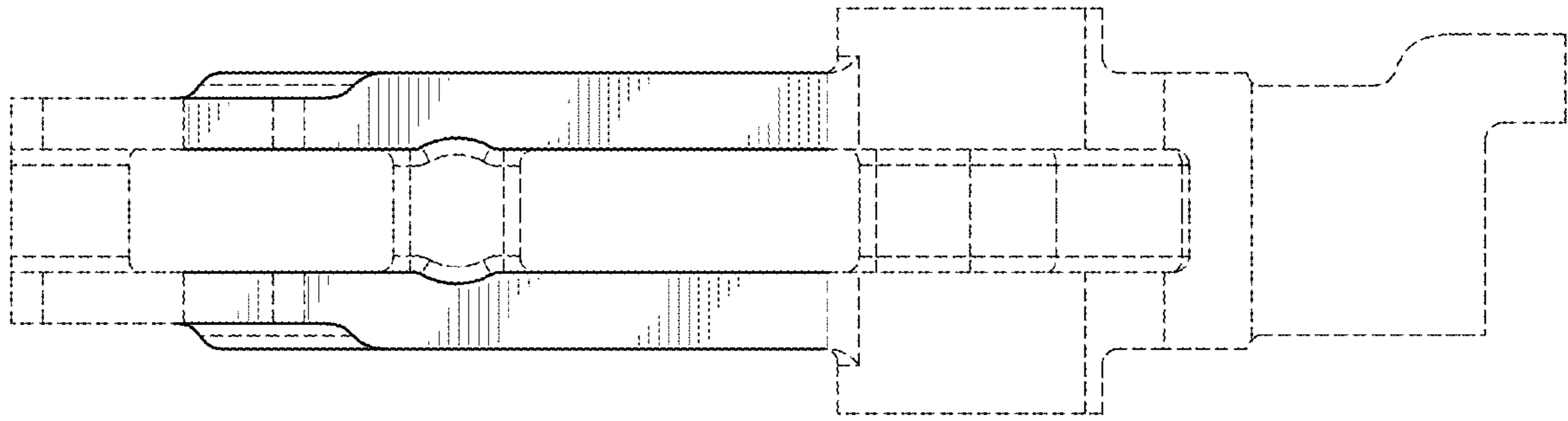


FIG. 7

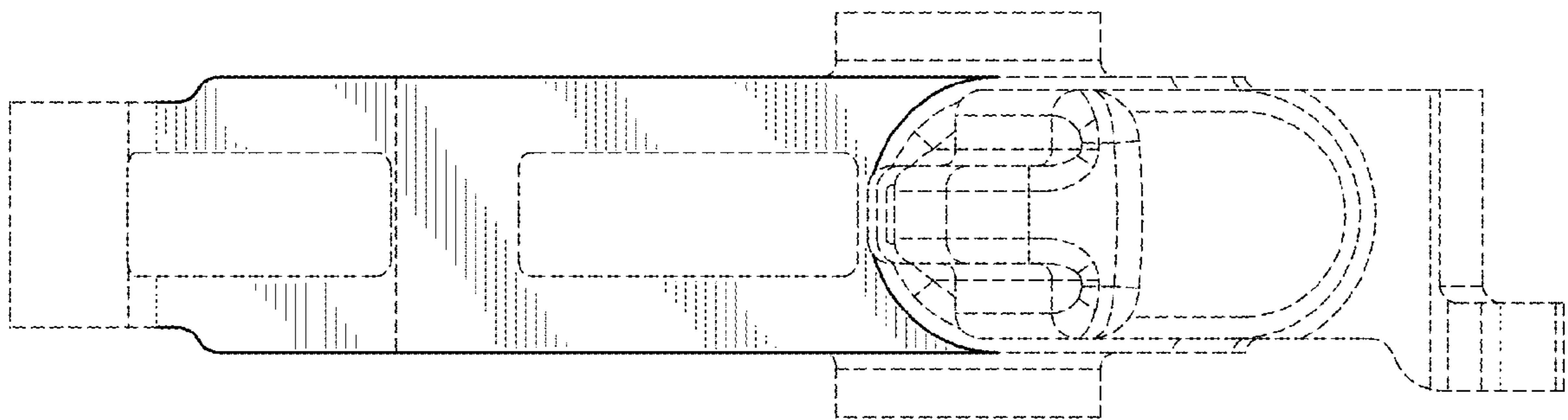


FIG. 8