



US00D926912S

(12) **United States Design Patent**  
**McLeroy et al.**

(10) **Patent No.:** **US D926,912 S**

(45) **Date of Patent:** **\*\* Aug. 3, 2021**

- (54) **STOCK OF A FIREARM**
- (71) Applicant: **Daniel Defense, Inc.**, Black Creek, GA (US)
- (72) Inventors: **Daniel McLeroy**, Savannah, GA (US);  
**Marvin C. Daniel**, Pooler, GA (US);  
**Larry J. R. Jones**, Ellabell, GA (US);  
**Ryan Keith Holloway**, Pooler, GA (US)
- (73) Assignee: **Daniel Defense, Inc.**, Black Creek, GA (US)

D762,277	S	*	7/2016	Juarez	.....	D22/108
D763,396	S	*	8/2016	Juarez	.....	D22/108
9,429,387	B1	*	8/2016	Barfoot	.....	F41C 23/16
D785,122	S	*	4/2017	Mather	.....	D22/104
D792,938	S	*	7/2017	Arnedo Vera	.....	D22/108
10,036,602	B1	*	7/2018	Nuss	.....	F41A 3/72
D827,753	S	*	9/2018	Lessard	.....	D22/103
10,132,583	B2	*	11/2018	Drake	.....	F41A 11/02
D844,735	S	*	4/2019	Barfoot	.....	D22/108
D845,423	S	*	4/2019	Barfoot	.....	D22/108
D868,190	S	*	11/2019	Laney	.....	D22/103
D868,924	S	*	12/2019	Nuss	.....	D22/108
D868,930	S	*	12/2019	Barfoot	.....	D22/108

(Continued)

- (\*\*) Term: **15 Years**
- (21) Appl. No.: **29/677,441**
- (22) Filed: **Jan. 21, 2019**
- (51) **LOC (13) Cl.** ..... **22-01**
- (52) **U.S. Cl.**  
USPC ..... **D22/108**; D22/103
- (58) **Field of Classification Search**  
USPC ..... D22/100, 103, 108, 109, 113, 115, 116,  
D22/199; D21/302, 567, 573  
CPC .... F41C 7/00; F41C 23/16; F41G 1/02; F41G  
1/027; F41G 1/14; F41J 1/10; F42B 6/10;  
F42B 7/00; F42B 7/02; F41A 17/38  
See application file for complete search history.

(56) **References Cited**

**U.S. PATENT DOCUMENTS**

D631,526	S	*	1/2011	Torre et al.	
D662,167	S	*	6/2012	Juarez	
D692,084	S	*	10/2013	Eberle	..... D22/103
D712,996	S	*	9/2014	Tresserras Torre	
D722,672	S	*	2/2015	Juarez	..... D22/108
D725,215	S	*	3/2015	Eberle	..... D22/108
D744,055	S	*	11/2015	Bitz	..... D22/108
9,322,611	B1	*	4/2016	Barfoot	..... F41C 23/16
D755,323	S	*	5/2016	Eitan	..... D22/103
D757,885	S	*	5/2016	Barfoot	..... D22/108

**OTHER PUBLICATIONS**

“Delta 5—Daniel Defense’s New Precision Bolt Action Rifle” [online]. Tom Beckstrand. [Published Jan. 20, 2019]. Retrieved from the Internet: <<https://www.gunsandammo.com/editorial/delta-5-daniel-defenses-new-precision-bolt-action-rifle/331104>>.\*

*Primary Examiner* — Mojtaba Tehrani

(74) *Attorney, Agent, or Firm* — Eversheds Sutherland (US) LLP

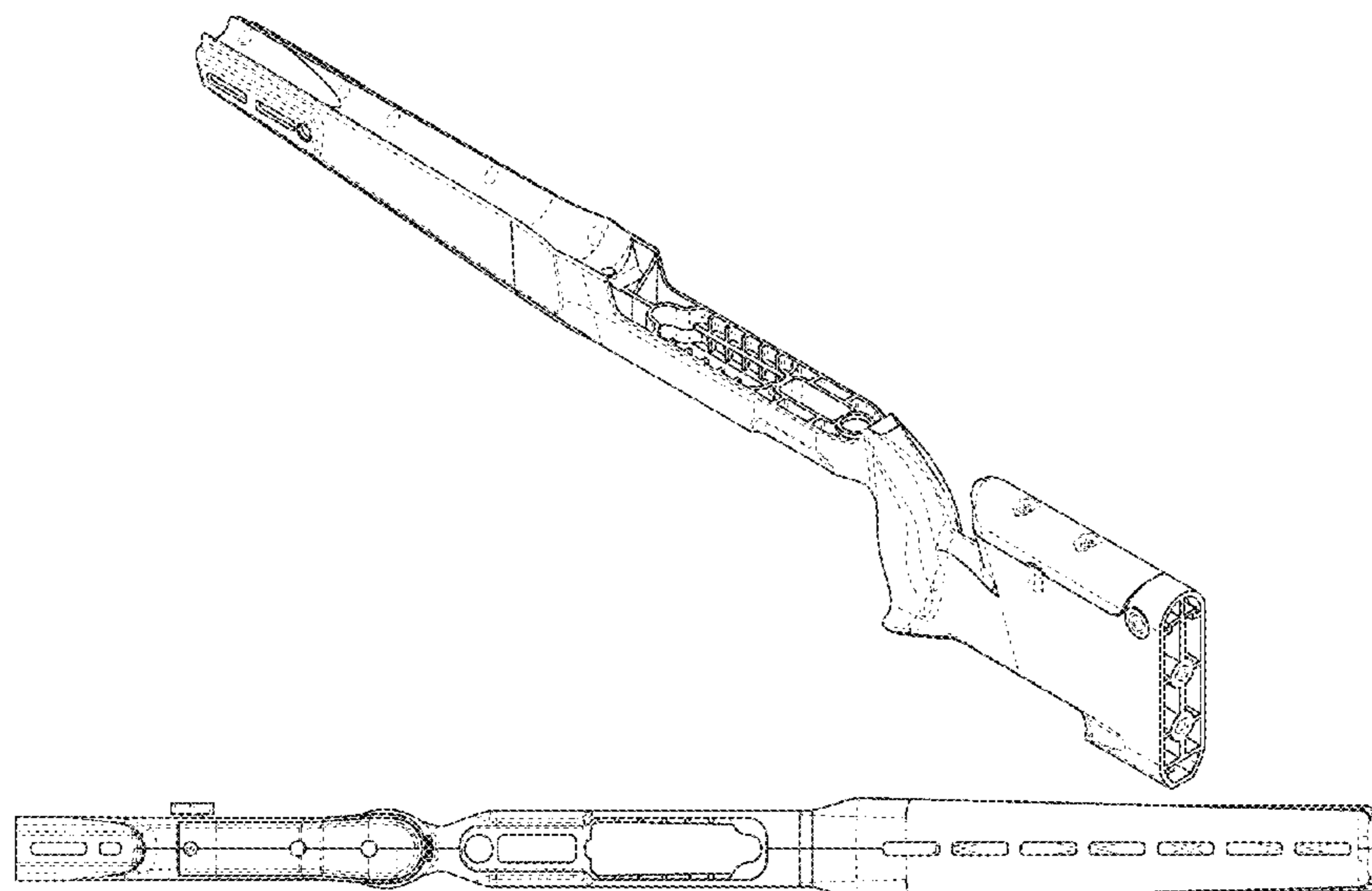
(57) **CLAIM**

We claim the ornamental design for a stock of a firearm, as shown and described.

**DESCRIPTION**

FIG. 1 is a perspective view of a stock of a firearm according to the disclosure;  
FIG. 2 is a bottom view thereof;  
FIG. 3 is a top view thereof;  
FIG. 4 is a side view thereof;  
FIG. 5 is a side view thereof;  
FIG. 6 is a rear view thereof; and,  
FIG. 7 is a front view thereof.  
The broken lines are for purposes of illustration only and do not form a part of the claimed design.

**1 Claim, 7 Drawing Sheets**



(56)

**References Cited**

U.S. PATENT DOCUMENTS

D871,536 S \* 12/2019 Lessard ..... D22/108  
D871,538 S \* 12/2019 Barfoot ..... D22/108  
D897,479 S \* 9/2020 McLeroy ..... D22/108  
D916,224 S \* 4/2021 Laney ..... D22/103  
2015/0192384 A1 \* 7/2015 Ballard ..... F41A 9/70  
42/49.01  
2018/0003465 A1 \* 1/2018 Sessions ..... F41G 11/003  
2018/0080730 A1 \* 3/2018 Cook ..... F41A 19/15  
2018/0156555 A1 \* 6/2018 Sessions ..... F41C 23/22  
2018/0259293 A1 \* 9/2018 Fiester ..... F41G 11/001  
2020/0191521 A1 \* 6/2020 Jones ..... F41C 23/16  
2020/0224985 A1 \* 7/2020 McLeroy ..... F41A 3/66

\* cited by examiner

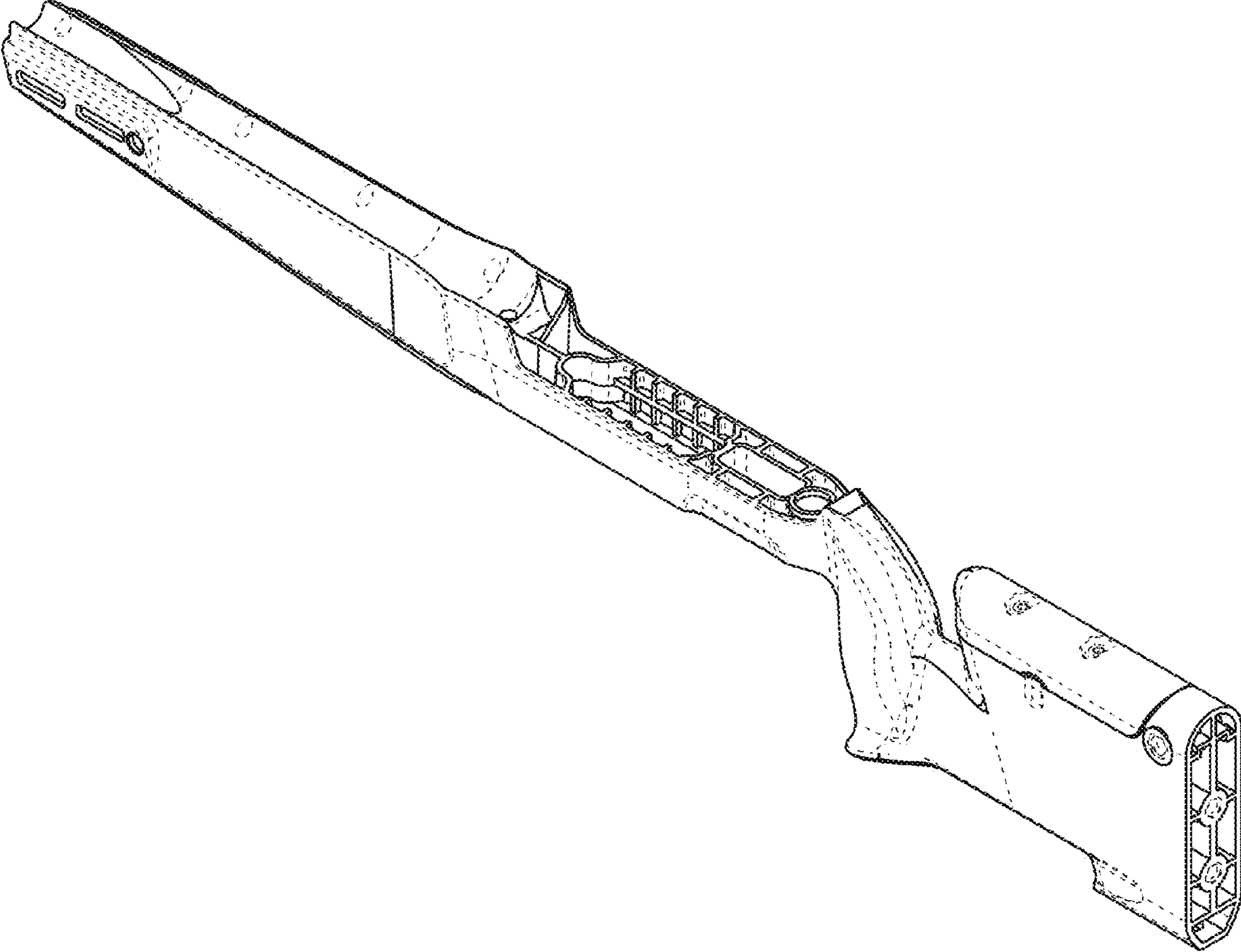


FIG. 1

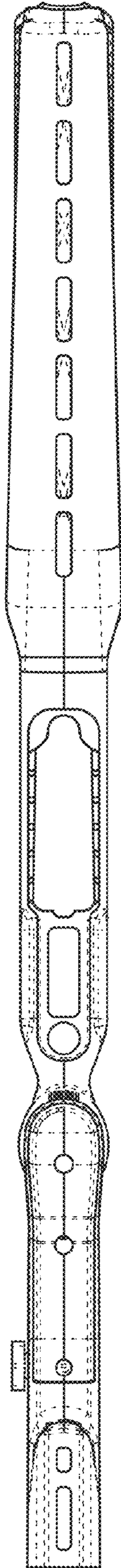


FIG. 2

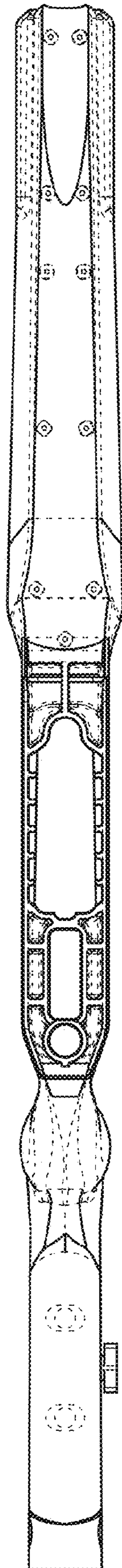


FIG. 3

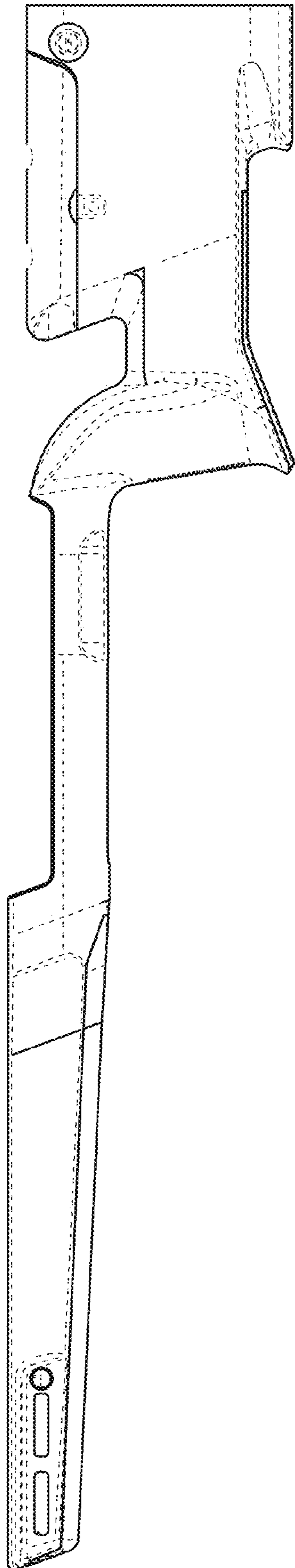


FIG. 4

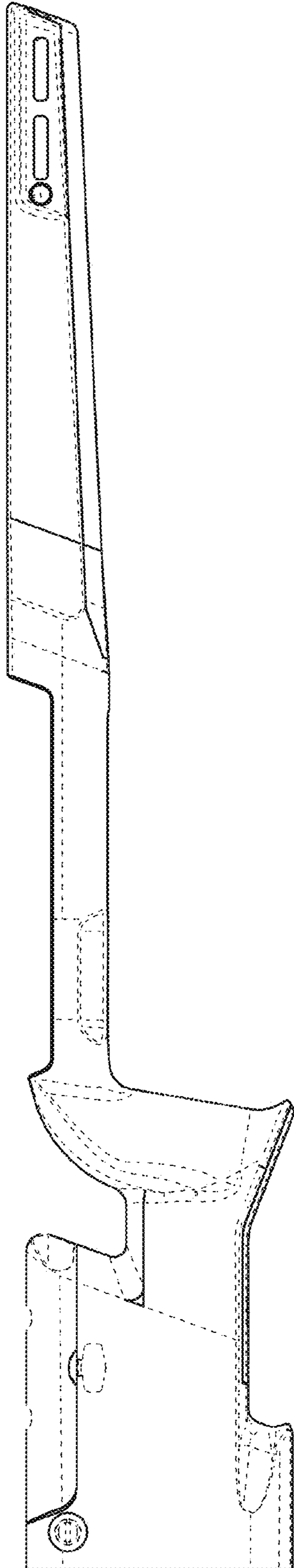


FIG. 5

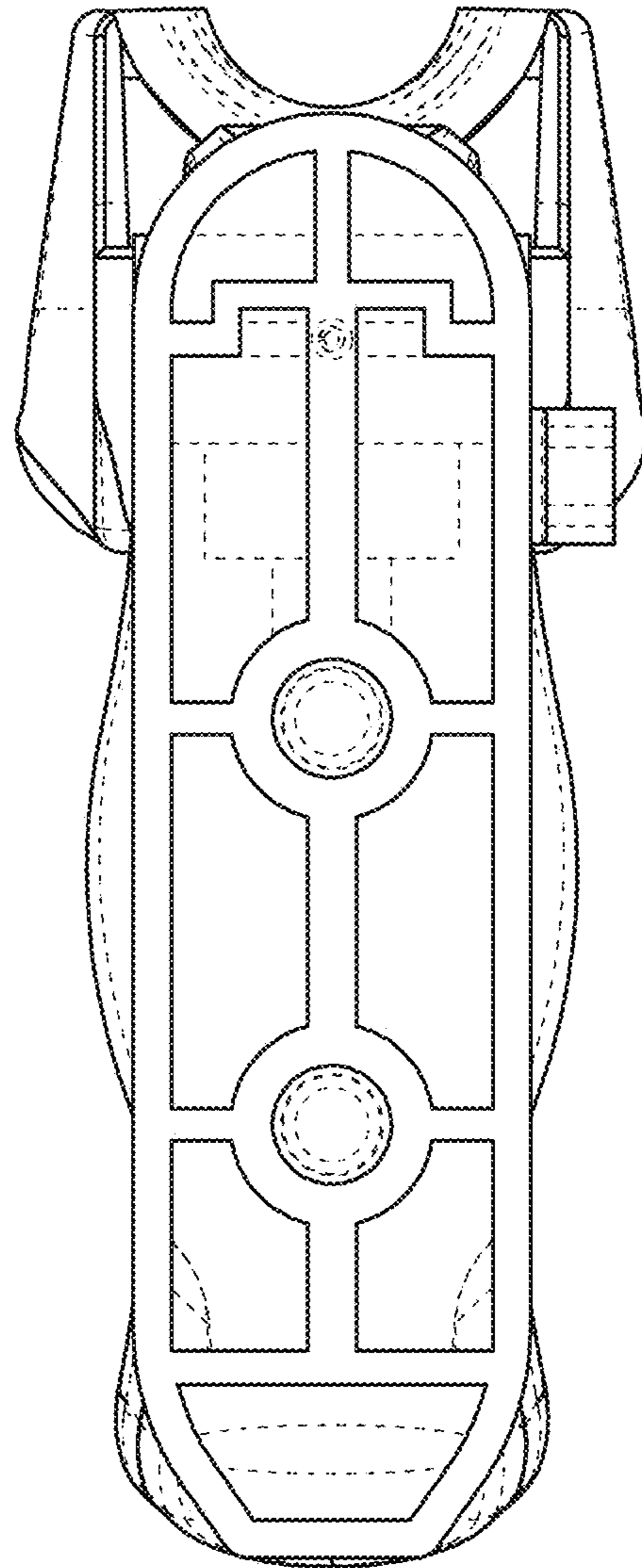


FIG. 6



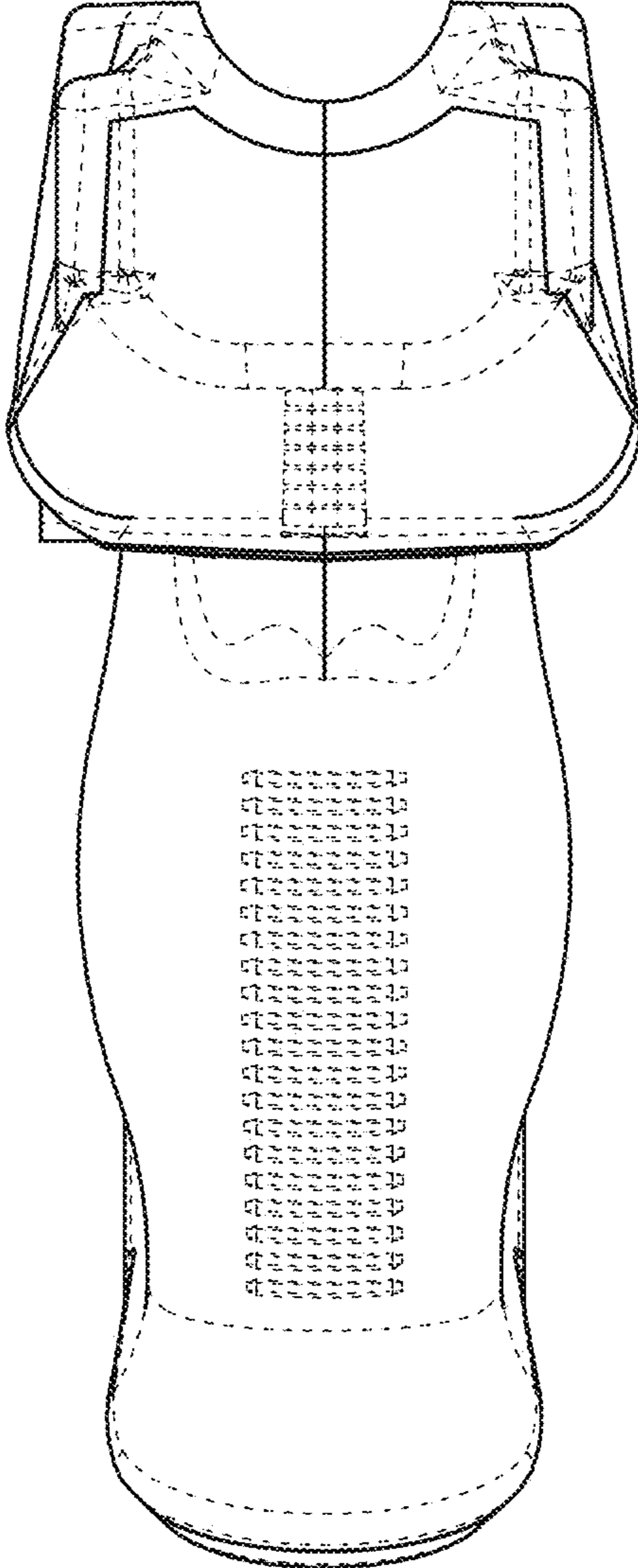


FIG. 7