



US00D926911S

(12) **United States Design Patent** (10) **Patent No.:** **US D926,911 S**
McLeroy et al. (45) **Date of Patent:** **** Aug. 3, 2021**

(54) **FIREARM**

(71) Applicant: **Daniel Defense, Inc.**, Black Creek, GA (US)

(72) Inventors: **Daniel McLeroy**, Savannah, GA (US);
Marvin C. Daniel, Pooler, GA (US);
Larry J. R. Jones, Ellabell, GA (US);
Ryan Keith Holloway, Pooler, GA (US)

(73) Assignee: **Daniel Defense, Inc.**, Black Creek, GA (US)

(**) Term: **15 Years**

(21) Appl. No.: **29/677,440**

(22) Filed: **Jan. 21, 2019**

(51) **LOC (13) Cl.** **22-01**

(52) **U.S. Cl.**
USPC **D22/103**

(58) **Field of Classification Search**
USPC D22/100, 103, 108, 109, 113, 115, 116,
D22/199; D21/302, 567, 573
CPC F41C 7/00; F41C 23/16; F41G 1/02; F41G
1/027; F41G 1/14; F41J 1/10; F42B 6/10;
F42B 7/00; F42B 7/02; F41A 17/38
See application file for complete search history.

(56) **References Cited**

U.S. PATENT DOCUMENTS

D631,526 S *	1/2011	Torre et al.	
D662,167 S *	6/2012	Juarez	
D692,084 S *	10/2013	Eberle	D22/103
D712,996 S *	9/2014	Tresserras Torre	
D722,672 S *	2/2015	Juarez	D22/108
D725,215 S *	3/2015	Eberle	D22/108
D744,055 S *	11/2015	Bitz	D22/108
9,322,611 B1 *	4/2016	Barfoot	F41C 23/16
D755,323 S *	5/2016	Eitan	D22/103
D757,885 S *	5/2016	Barfoot	D22/108

D762,277 S *	7/2016	Juarez	D22/108
D763,396 S *	8/2016	Juarez	D22/108
9,429,387 B1 *	8/2016	Barfoot	F41C 23/16
D785,122 S *	4/2017	Mather	D22/104
D792,938 S *	7/2017	Arnedo Vera	D22/108
10,036,602 B1 *	7/2018	Nuss	F41A 3/72
D827,753 S *	9/2018	Lessard	D22/103
10,132,583 B2 *	11/2018	Drake	F41A 11/02
D844,735 S *	4/2019	Barfoot	D22/108
D845,423 S *	4/2019	Barfoot	D22/108

(Continued)

OTHER PUBLICATIONS

“Delta 5—Daniel Defense’s New Precision Bolt Action Rifle”
[online]. Tom Beckstrand. [Published Jan. 20, 2019]. Retrieved
from the Internet: <<https://www.gunsandammo.com/editorial/delta-5-daniel-defenses-new-precision-bolt-action-rifle/331104>>.*

Primary Examiner — Mojtaba Tehrani

(74) *Attorney, Agent, or Firm* — Eversheds Sutherland
(US) LLP

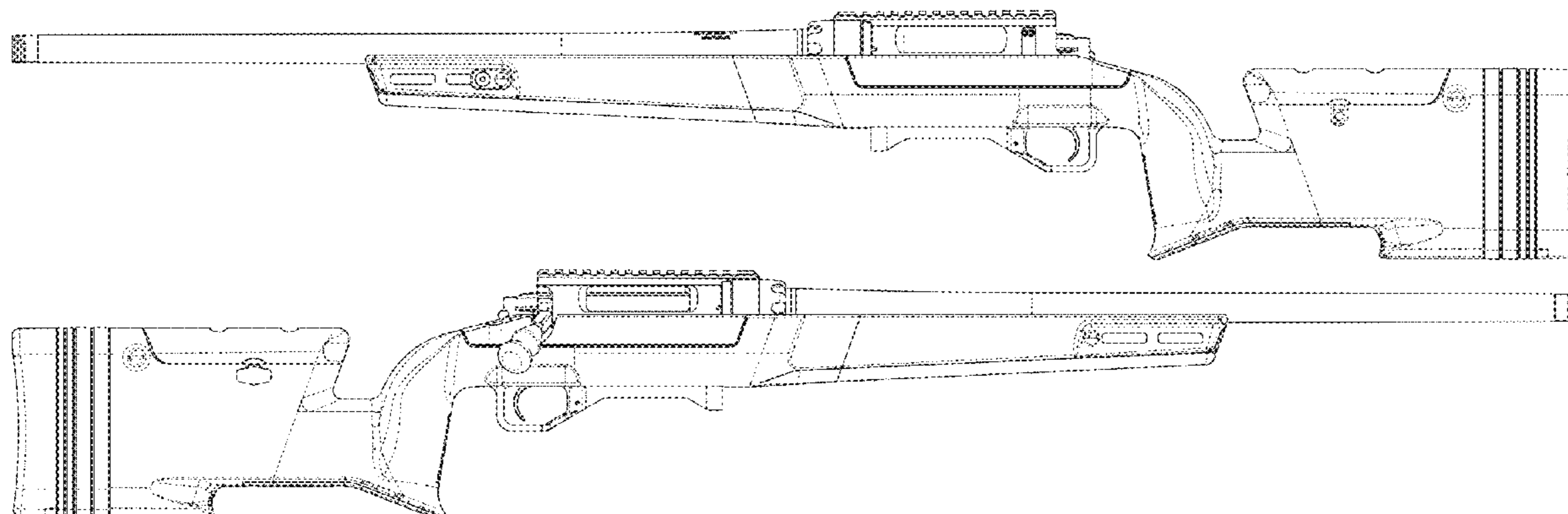
(57) **CLAIM**

We claim the ornamental design for a firearm, as shown and
described.

DESCRIPTION

FIG. 1 is a first side view of a firearm according to the
disclosure;
FIG. 2 is a second side view thereof;
FIG. 3 is a top view thereof;
FIG. 4 is a bottom view thereof;
FIG. 5 is a right rear perspective view thereof;
FIG. 6 is a right rear perspective view thereof;
FIG. 7 is a left rear perspective view thereof;
FIG. 8 is a left rear perspective view thereof;
FIG. 9 is a rear view thereof; and,
FIG. 10 is a front view thereof.
The broken lines are for purposes of illustration only and do
not form a part of the claimed design.

1 Claim, 10 Drawing Sheets



(56)

References Cited

U.S. PATENT DOCUMENTS

D868,190	S	*	11/2019	Laney	D22/103
D868,924	S	*	12/2019	Nuss	D22/108
D868,930	S	*	12/2019	Barfoot	D22/108
D871,536	S	*	12/2019	Lessard	D22/108
D871,538	S	*	12/2019	Barfoot	D22/108
D897,479	S	*	9/2020	McLeroy	D22/108
D916,224	S	*	4/2021	Laney	D22/103
2015/0192384	A1	*	7/2015	Ballard	F41A 9/70
						42/49.01
2018/0003465	A1	*	1/2018	Sessions	F41G 11/003
2018/0080730	A1	*	3/2018	Cook	F41A 19/15
2018/0156555	A1	*	6/2018	Sessions	F41C 23/22
2018/0259293	A1	*	9/2018	Fiester	F41G 11/001
2020/0191521	A1	*	6/2020	Jones	F41C 23/16
2020/0224985	A1	*	7/2020	McLeroy	F41A 3/66

* cited by examiner

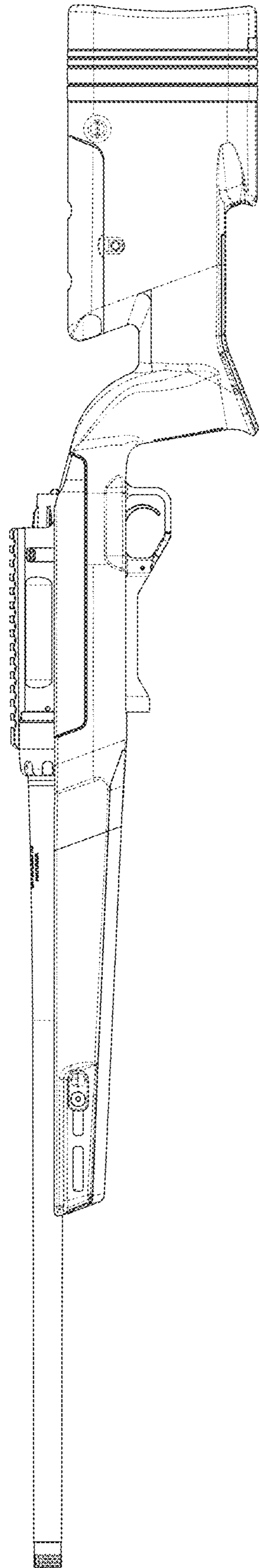


FIG. 1

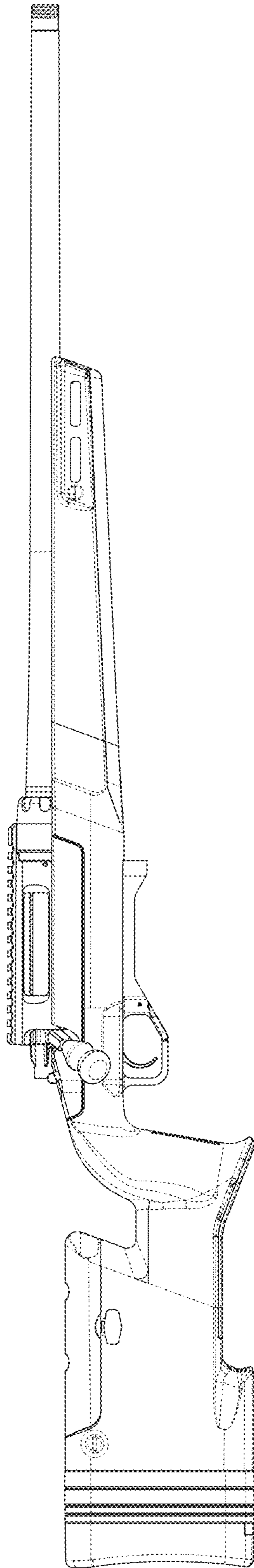


FIG. 2

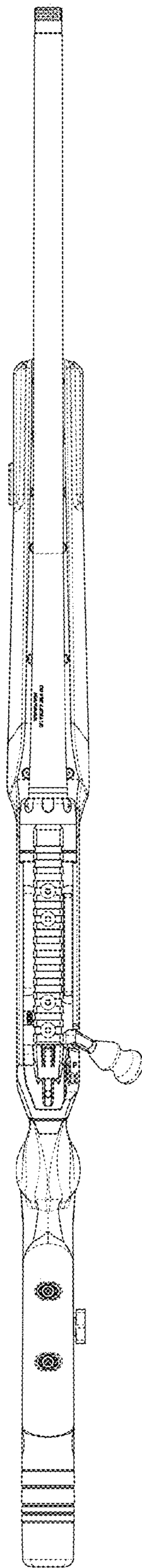


FIG. 3

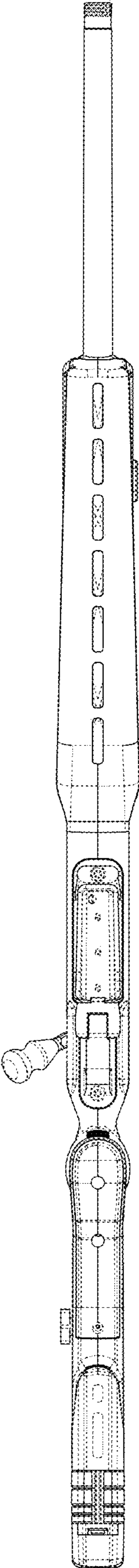


FIG. 4

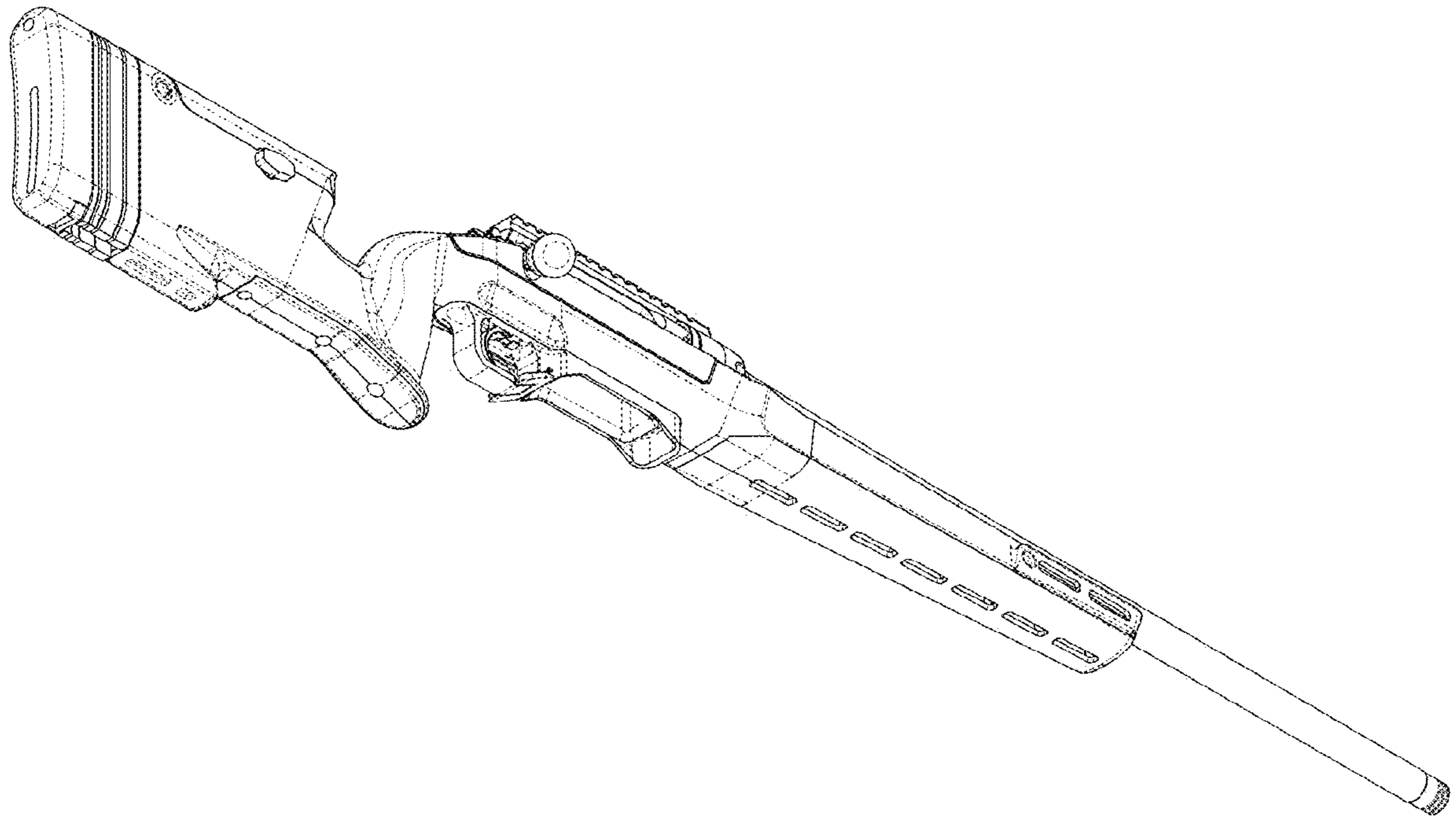


FIG. 5

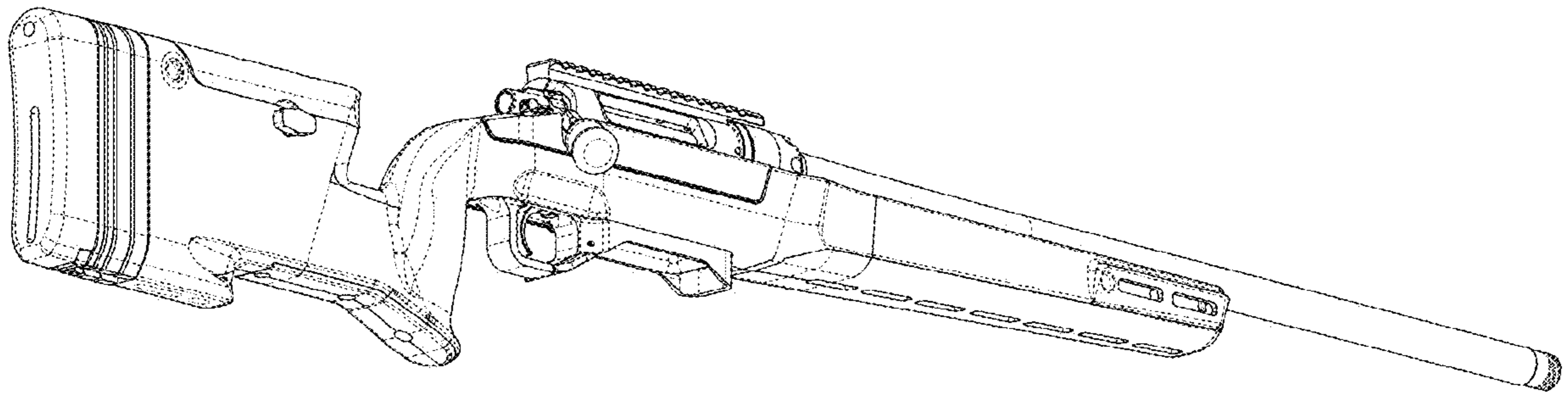


FIG. 6

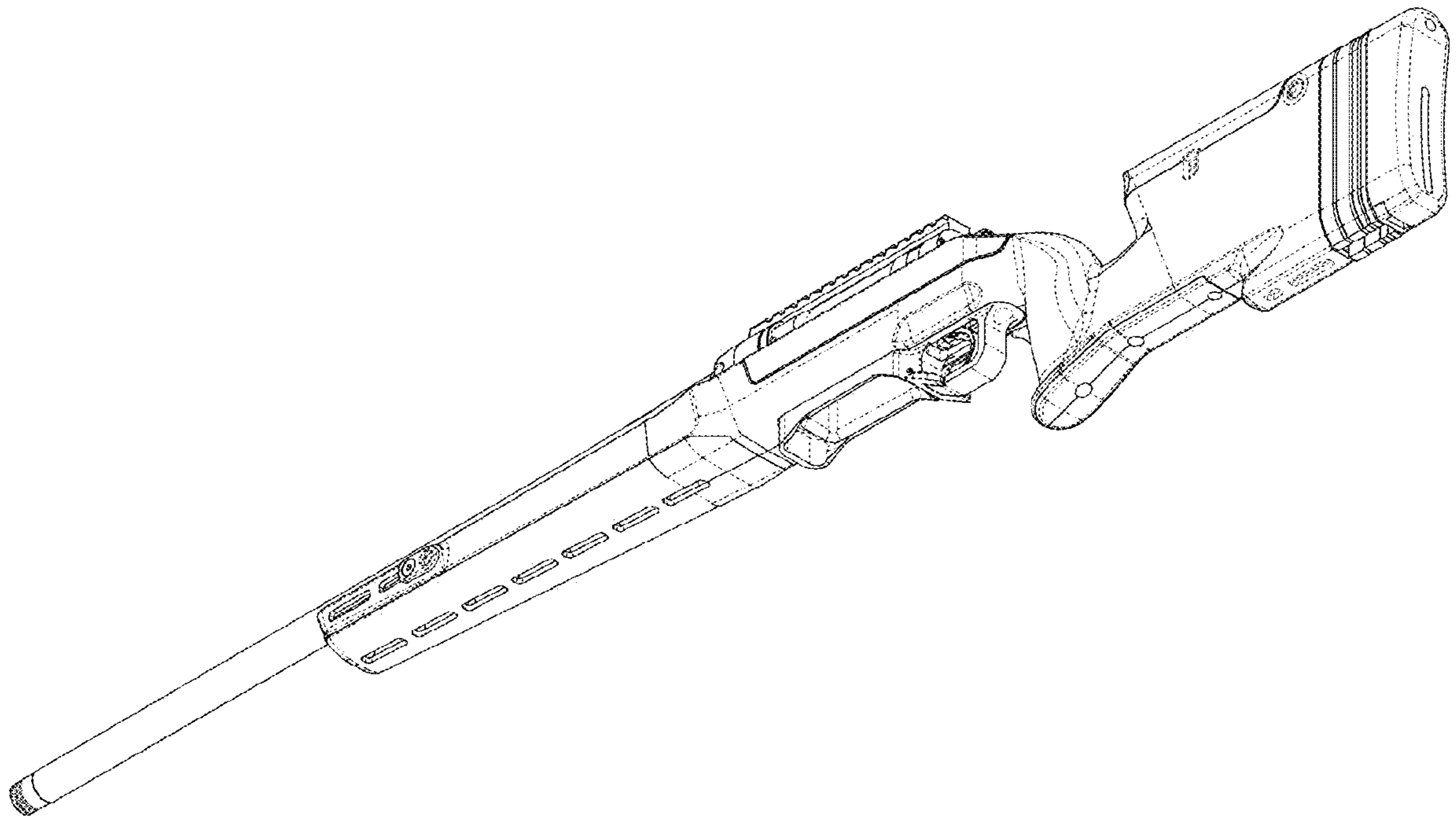


FIG. 7

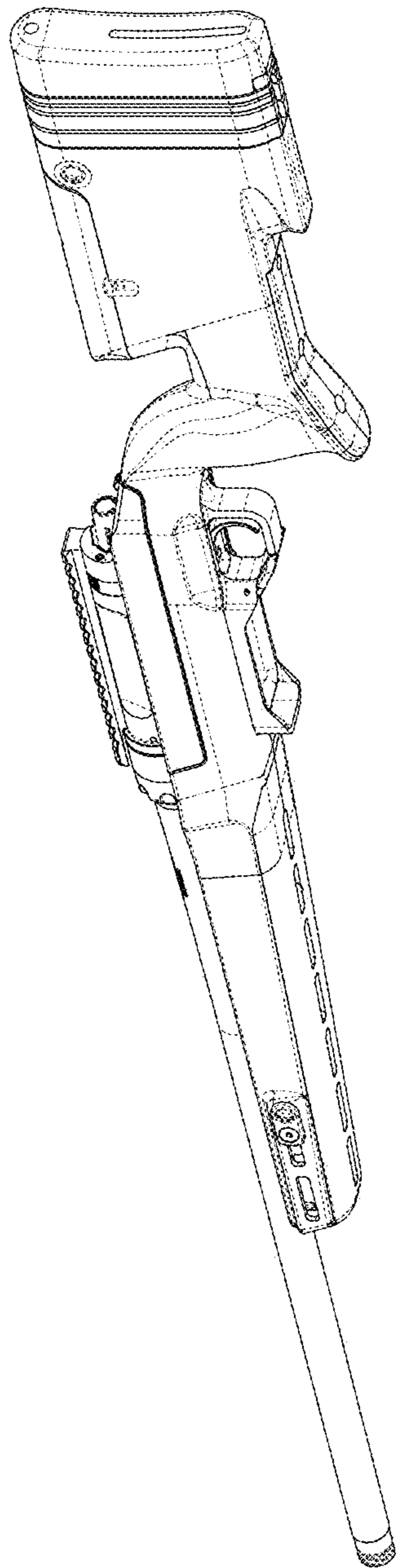


FIG. 8

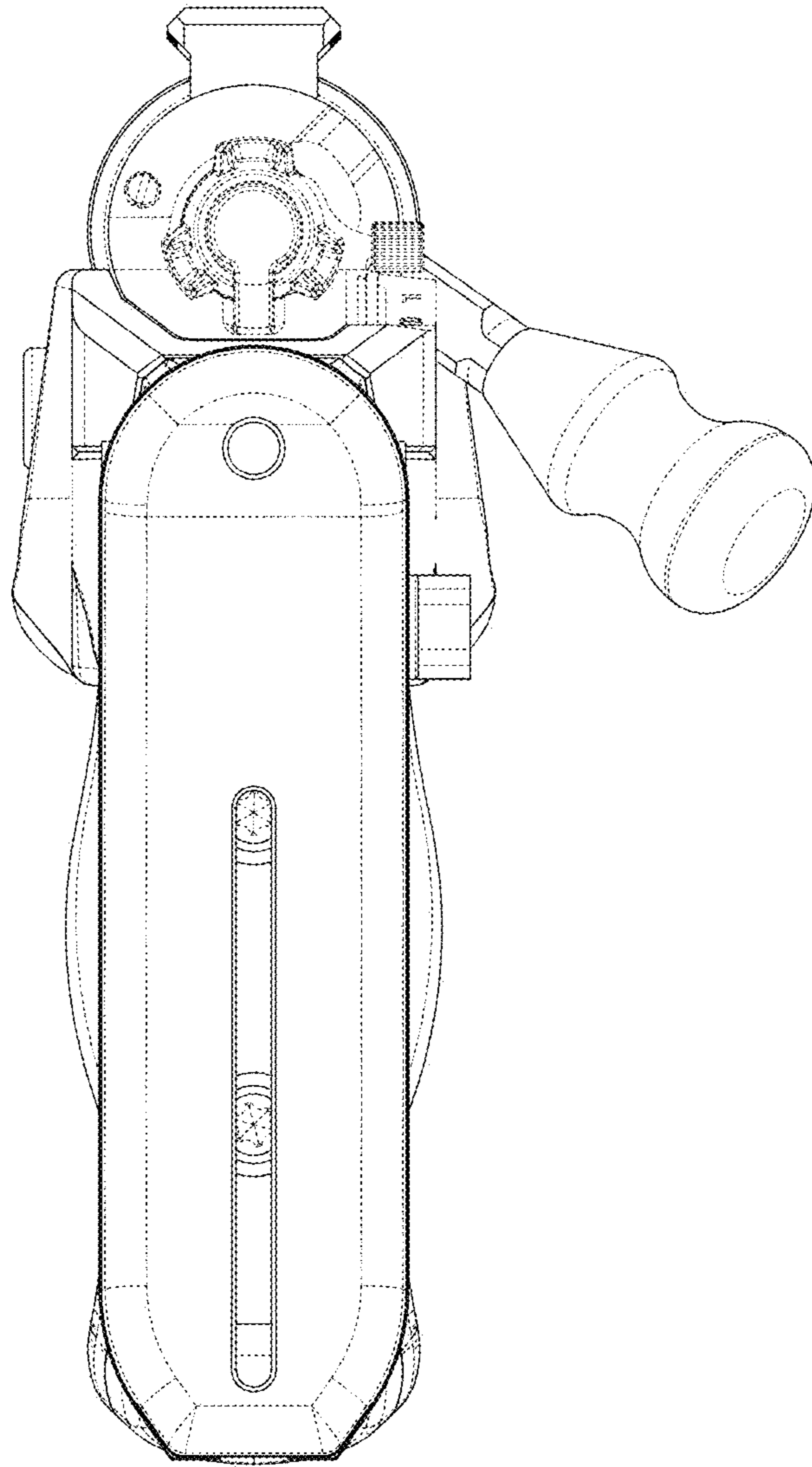


FIG. 9

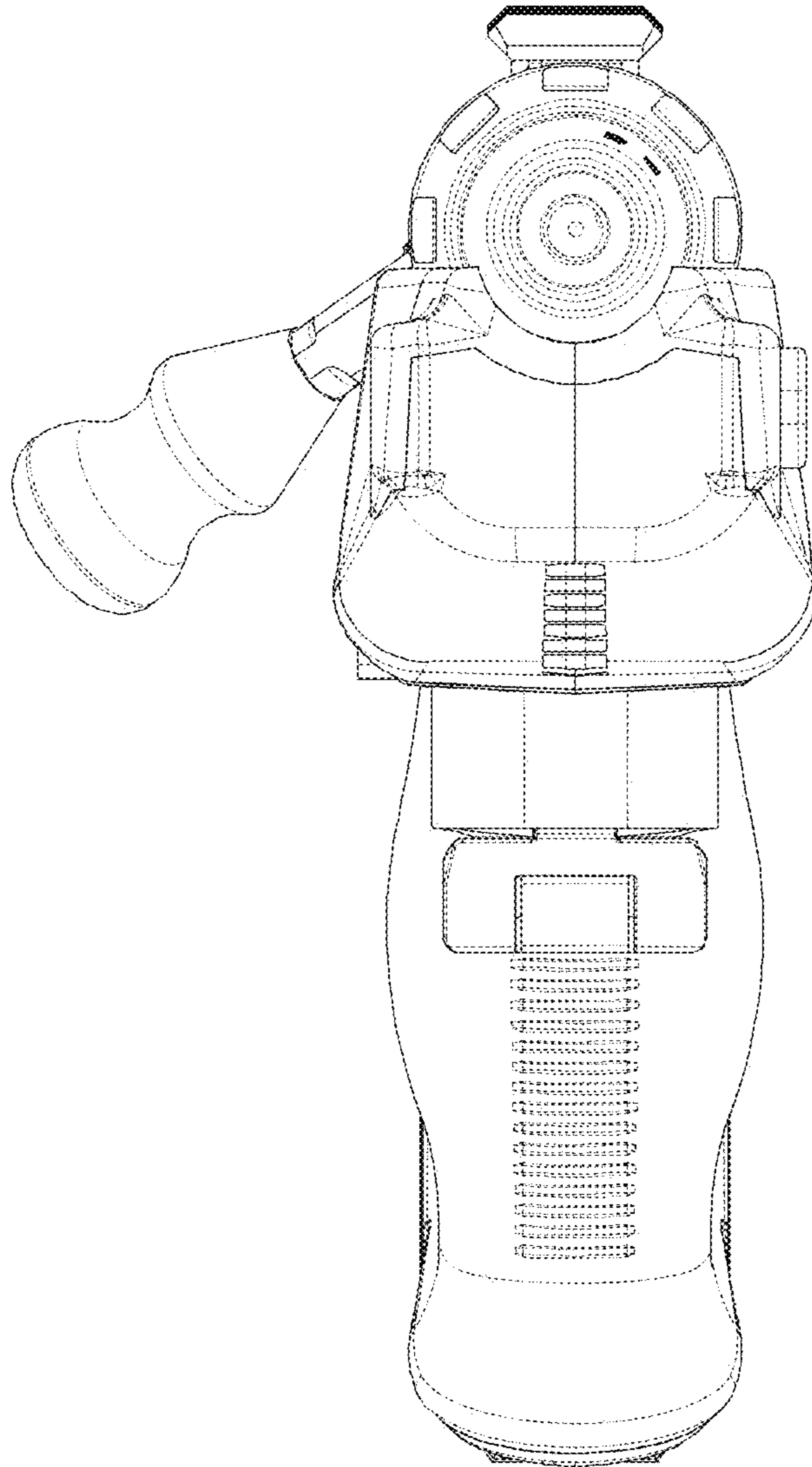


FIG. 10