



US00D926910S

(12) **United States Design Patent**
Yang et al.

(10) **Patent No.:** **US D926,910 S**

(45) **Date of Patent:** **** Aug. 3, 2021**

(54) **CANOPY CENTER TOP CAP AND POLE COMBINATION**

(71) Applicants: **Shengyong Yang**, Shanghai (CN); **Jing Bian**, Shanghai (CN)

(72) Inventors: **Shengyong Yang**, Shanghai (CN); **Jing Bian**, Shanghai (CN)

(**) Term: **15 Years**

(21) Appl. No.: **29/725,316**

(22) Filed: **Feb. 24, 2020**

Related U.S. Application Data

(63) Continuation of application No. 15/925,314, filed on Mar. 19, 2018, now Pat. No. 10,669,738, which is a continuation-in-part of application No. 15/549,164, filed on Aug. 6, 2017, now Pat. No. 10,273,710.

(51) **LOC (13) Cl.** **21-04**

(52) **U.S. Cl.**
USPC **D21/839**

(58) **Field of Classification Search**
USPC D21/834, 839, 840
CPC E04H 15/26; E04H 15/34; E04H 15/36;
E04H 15/44; E04H 15/46; E04H 15/48;
E04H 15/50; E04H 15/60
See application file for complete search history.

(56) **References Cited**

U.S. PATENT DOCUMENTS

- 1,669,611 A * 5/1928 Goldberg E04H 15/26
135/114
- 3,160,165 A * 12/1964 Greenbie E04B 1/3441
52/82
- 4,074,682 A * 2/1978 Yoon E04H 15/48
135/135
- D320,111 S * 9/1991 Ma D3/10

- D321,779 S * 11/1991 Ma D3/10
- 5,328,286 A * 7/1994 Lee E04H 15/48
403/218
- D533,914 S * 12/2006 Diaz D21/839
- 7,841,572 B2 * 11/2010 Chen A63H 33/006
248/317
- 8,360,085 B2 * 1/2013 Lee E04H 15/48
135/135
- 8,763,620 B1 * 7/2014 Tung A45B 17/00
135/20.1
- D719,343 S * 12/2014 Ma D3/5
- 8,899,250 B1 * 12/2014 Tung A45B 25/14
135/20.1
- 10,060,153 B2 * 8/2018 Song E04H 15/50
- 10,064,465 B2 * 9/2018 Pan A45B 25/006
- 10,273,710 B2 * 4/2019 Yang E04H 15/44
- 10,631,603 B2 * 4/2020 Ma A45B 25/10
- 10,669,738 B2 * 6/2020 Yang E04H 15/48
- 10,822,829 B1 * 11/2020 Lu E04H 15/48
- D909,042 S * 2/2021 Holbrook D3/10
- 10,941,559 B1 * 3/2021 Urhausen E04H 15/44

(Continued)

Primary Examiner — Cynthia M. Chin

(74) *Attorney, Agent, or Firm* — John R. Ross; John R. Ross, III

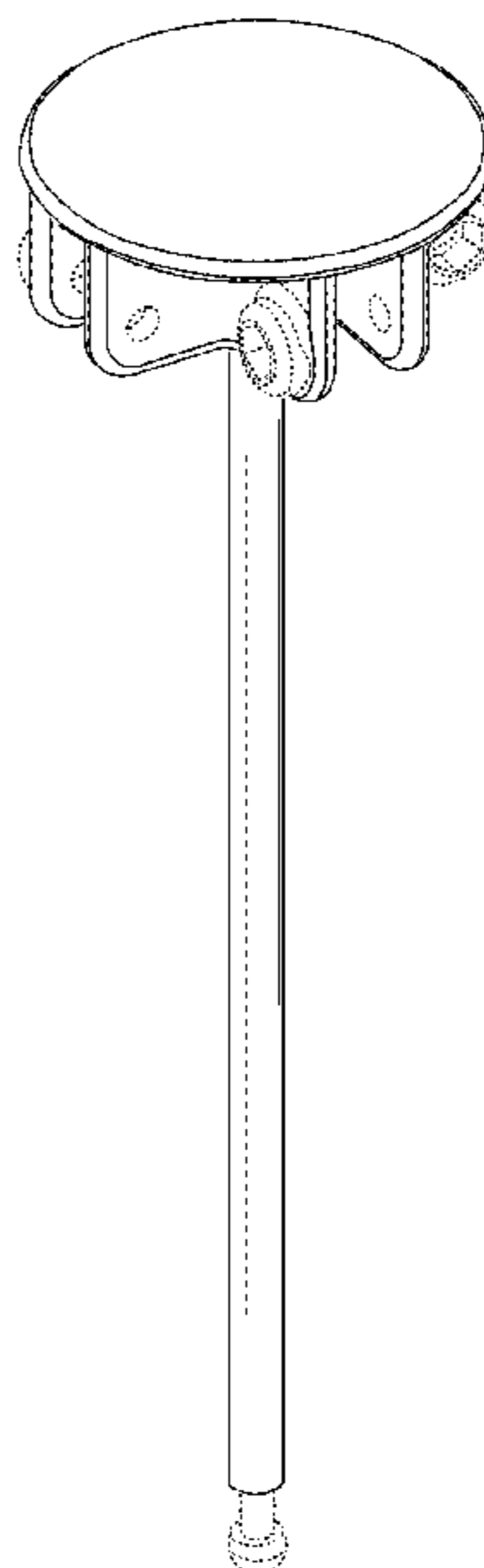
(57) **CLAIM**

The ornamental design for a canopy center top cap and pole combination, as shown and described.

DESCRIPTION

FIG. 1 is front elevation view of our design for a canopy center top cap and pole combination;
FIG. 2 is a rear elevation view thereof;
FIG. 3 is a left side view thereof;
FIG. 4 is a right side view thereof;
FIG. 5 is a perspective view thereof; and,
FIG. 6 is a top plan view thereof.
The broken lines are for the purpose of illustrating portions of the article that form no part of the claimed design.

1 Claim, 3 Drawing Sheets



(56)

References Cited

U.S. PATENT DOCUMENTS

10,941,585 B2* 3/2021 Sun E04H 15/48
 10,982,464 B2* 4/2021 Ying E04H 15/48
 11,002,036 B1* 5/2021 Zhang E04H 15/18
 2005/0028856 A1* 2/2005 Seo E04H 15/50
 135/131
 2006/0151019 A1* 7/2006 Lo A45B 25/165
 135/20.3
 2011/0108077 A1* 5/2011 Lee E04H 15/48
 135/96
 2013/0125947 A1* 5/2013 Lee E04H 15/48
 135/151
 2014/0109942 A1* 4/2014 Ma A45B 25/14
 135/28
 2015/0129008 A1* 5/2015 Li E04H 15/44
 135/147

2016/0002949 A1* 1/2016 Yang E04H 15/46
 135/139
 2016/0289999 A1* 10/2016 Choi E04H 15/32
 2018/0103734 A1* 4/2018 Song E04H 15/50
 2018/0125184 A1* 5/2018 Song E04H 15/44
 2018/0209167 A1* 7/2018 Yang E04H 15/48
 2019/0234101 A1* 8/2019 Lu E04H 15/18
 2019/0234102 A1* 8/2019 Lu E04H 15/46
 2019/0277053 A1* 9/2019 Yang E04H 15/60
 2019/0368220 A1* 12/2019 Sun E04H 15/18
 2019/0368232 A1* 12/2019 Sun F16B 21/18
 2020/0181938 A1* 6/2020 Xu E04H 15/50
 2020/0181939 A1* 6/2020 Ying E04H 15/28
 2020/0240167 A1* 7/2020 Sun E04H 15/32
 2020/0240168 A1* 7/2020 Sun E04H 15/50
 2020/0299990 A1* 9/2020 Choi E04H 15/46
 2020/0347635 A1* 11/2020 Sun E04H 15/50
 2020/0407999 A1* 12/2020 Huang E04H 15/50
 2021/0040766 A1* 2/2021 Sun E04H 15/50

* cited by examiner

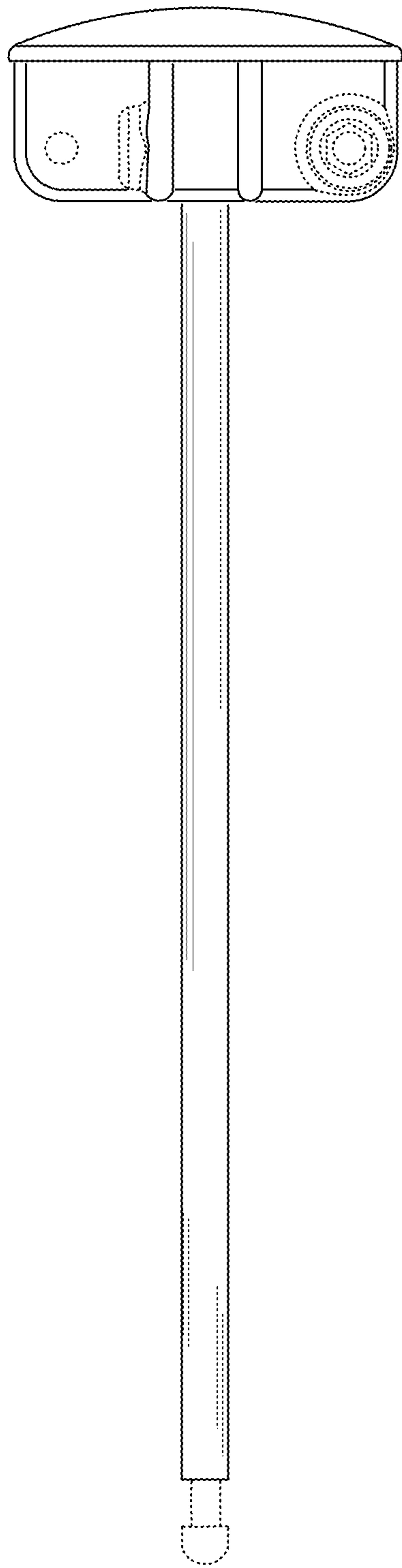


FIG. 1

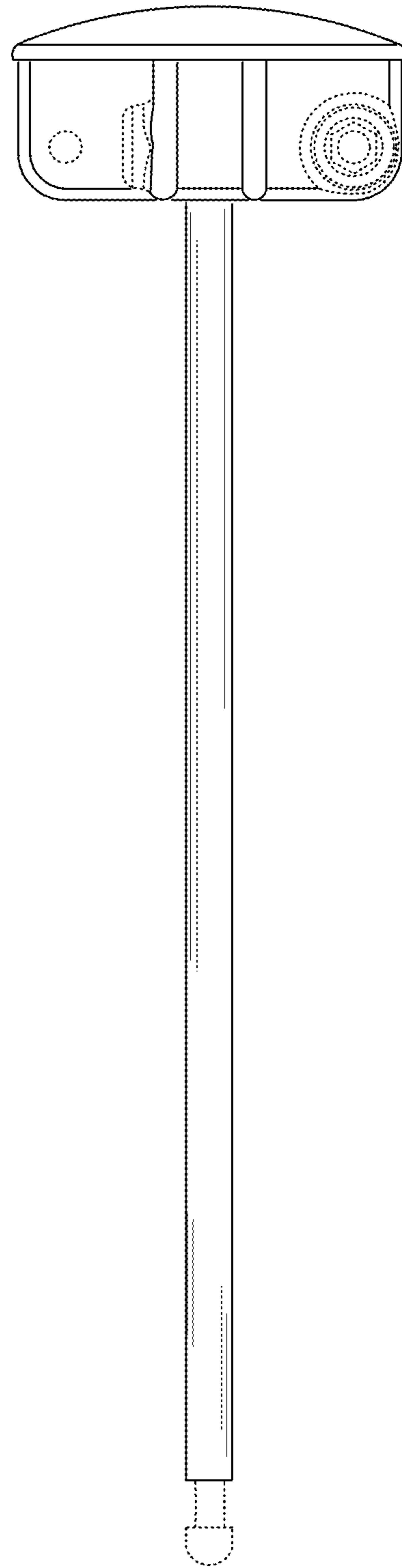


FIG. 2

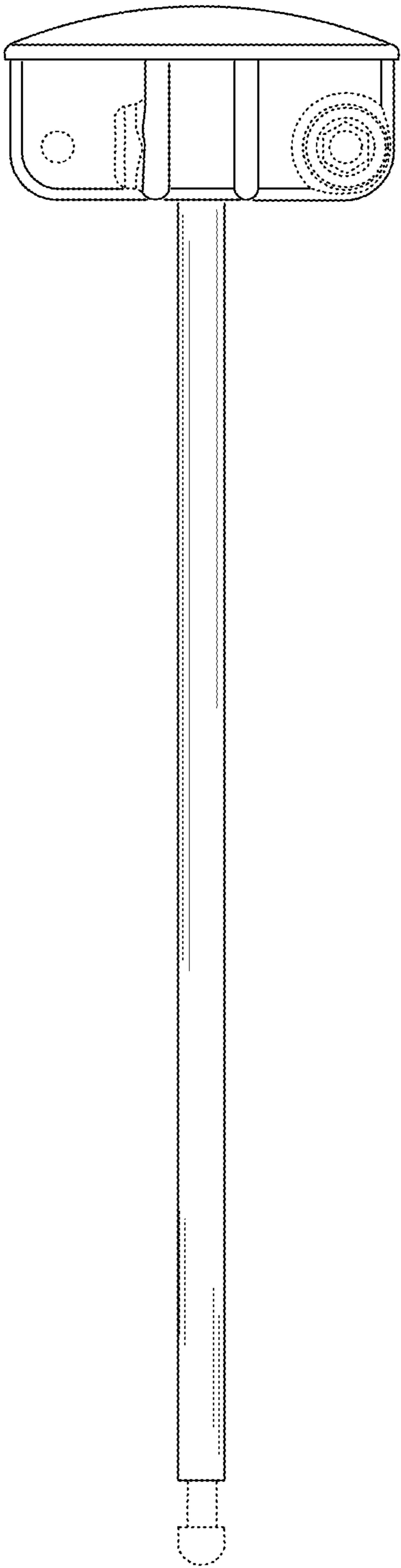


FIG. 3

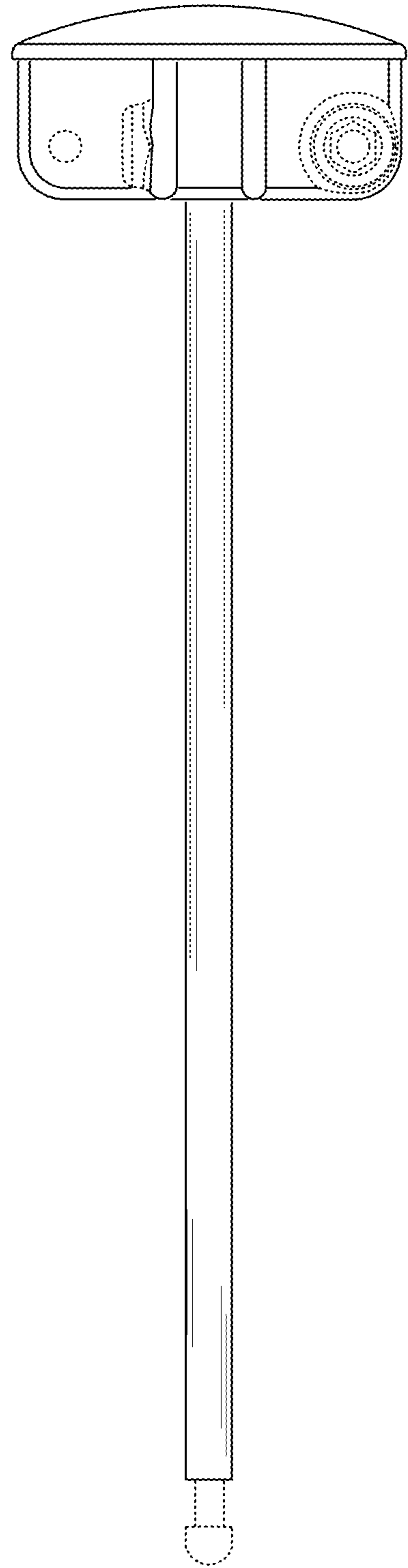


FIG. 4

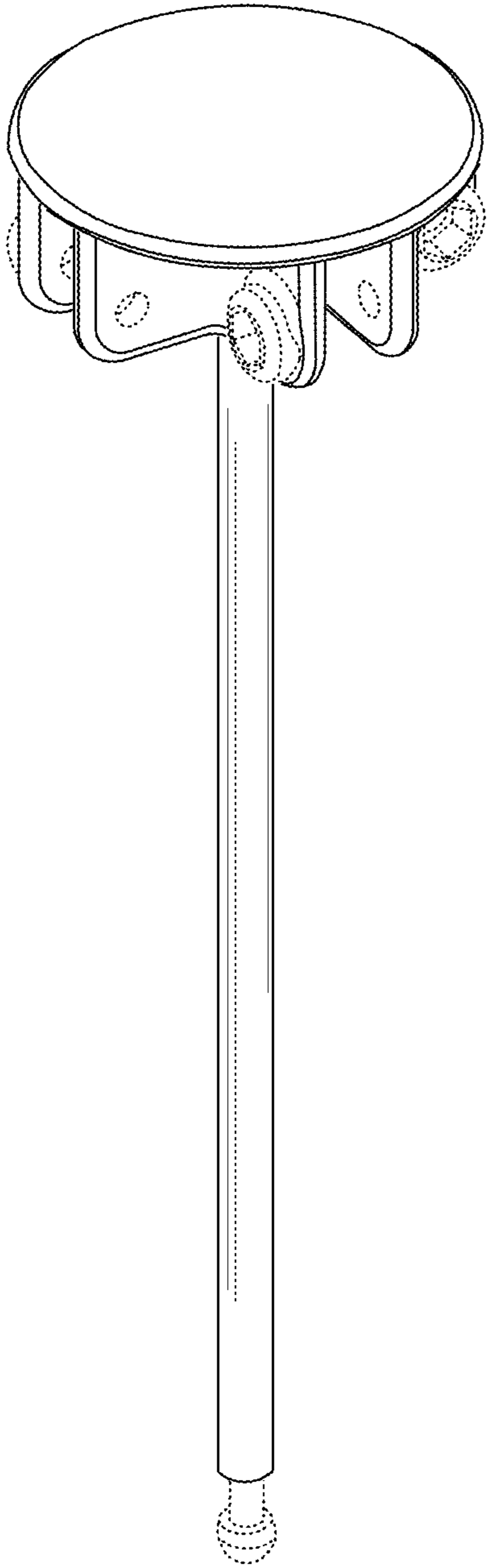


FIG. 5

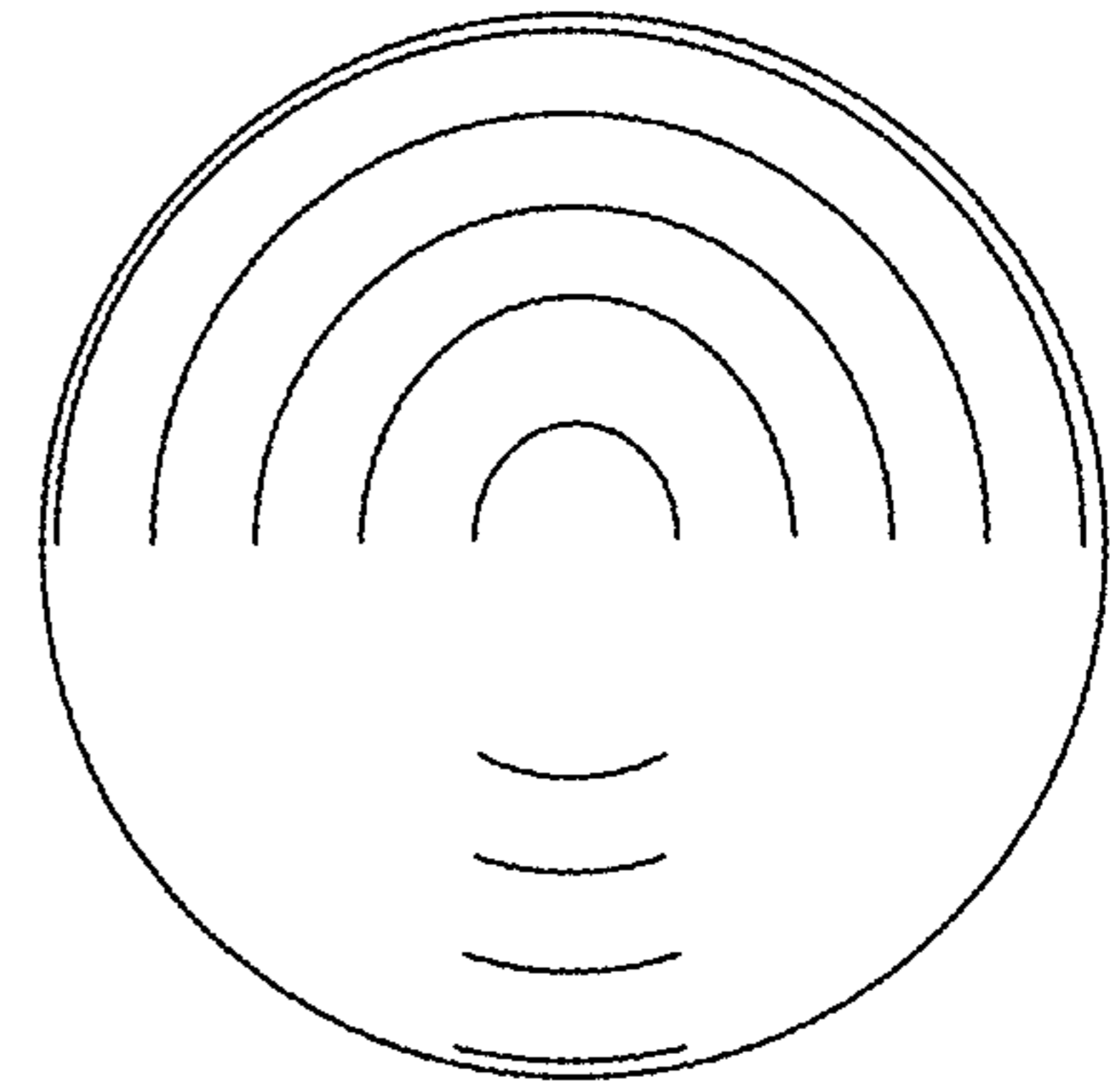


FIG. 6