



US00D926909S

(12) **United States Design Patent** (10) **Patent No.:** **US D926,909 S**
Song (45) **Date of Patent:** **** Aug. 3, 2021**

(54) **INFLATABLE TENT**
(71) Applicant: **Shengping Song**, Hunan (CN)
(72) Inventor: **Shengping Song**, Hunan (CN)
(73) Assignee: **Dongguan Yehu Outdoor Products Co., Ltd.**, Guangdong (CN)
(**) Term: **15 Years**
(21) Appl. No.: **29/718,241**
(22) Filed: **Dec. 23, 2019**
(51) **LOC (13) Cl.** **21-04**
(52) **U.S. Cl.**
USPC **D21/835**
(58) **Field of Classification Search**
USPC D21/834-838
CPC E04H 15/00; E04H 15/20; E04H 15/201;
E04H 15/204
See application file for complete search history.

10,180,012 B1 * 1/2019 Minson E04H 15/32
2002/0162584 A1 * 11/2002 Berman E04H 15/006
135/126
2019/0010725 A1 * 1/2019 Bueno E04H 15/54
* cited by examiner

Primary Examiner — Cynthia M. Chin

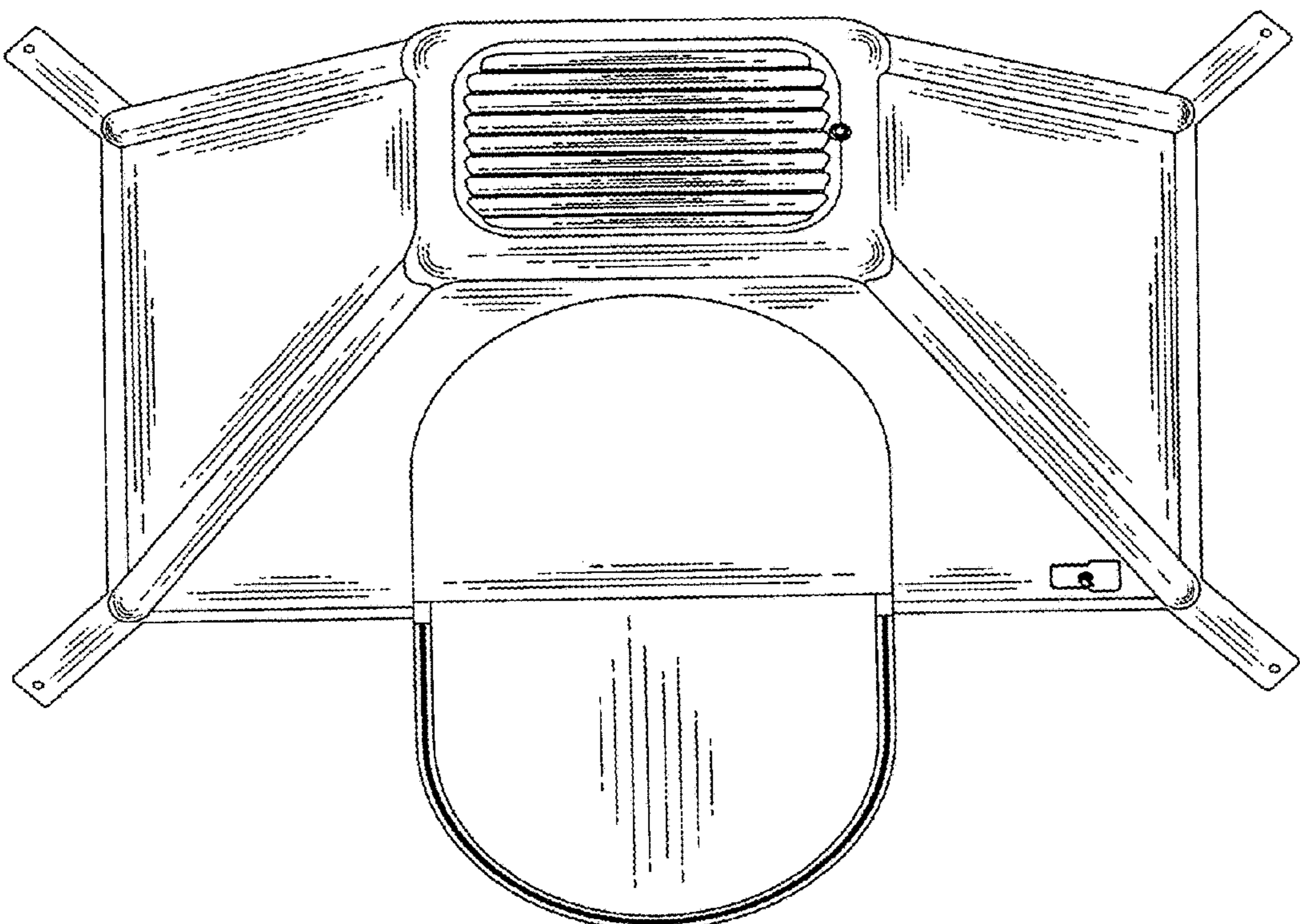
(57) **CLAIM**
The ornamental design for an inflatable tent, as shown and described.

DESCRIPTION

FIG. 1 is a perspective view of an inflatable tent showing my new design;
FIG. 2 is a front elevation view thereof;
FIG. 3 is a rear elevation view thereof;
FIG. 4 is a left side elevation view thereof;
FIG. 5 is a right side elevation view thereof;
FIG. 6 is a top plan view thereof;
FIG. 7 is a bottom plan view thereof;
FIG. 8 is an enlarged partial view taken from FIG. 6;
FIG. 9 is an enlarged partial view taken from FIG. 6;
FIG. 10 is an enlarged partial view taken from FIG. 5;
FIG. 11 is an enlarged partial view taken from FIG. 5;
FIG. 12 is an enlarged partial view taken from FIG. 1;
FIG. 13 is an enlarged partial view taken from FIG. 7;
FIG. 14 is an enlarged partial view taken from FIG. 2;
FIG. 15 is an enlarged partial view taken from FIG. 2; and,
FIG. 16 is an enlarged partial view taken from FIG. 2.
The broken lines represent the boundaries of the enlarged partial views of FIGS. 8-16 and form no part of the claimed design.

(56) **References Cited**
U.S. PATENT DOCUMENTS
D252,582 S * 8/1979 Rain D21/834
4,876,829 A * 10/1989 Mattick E04H 15/20
52/2.18
D396,087 S * 7/1998 Liu D21/835
D482,423 S * 11/2003 Newsome D21/835
D515,167 S * 2/2006 Capwell D21/803
D592,270 S * 5/2009 Cobb D21/835
8,166,711 B2 * 5/2012 Lamke E04H 15/20
52/2.18

1 Claim, 16 Drawing Sheets



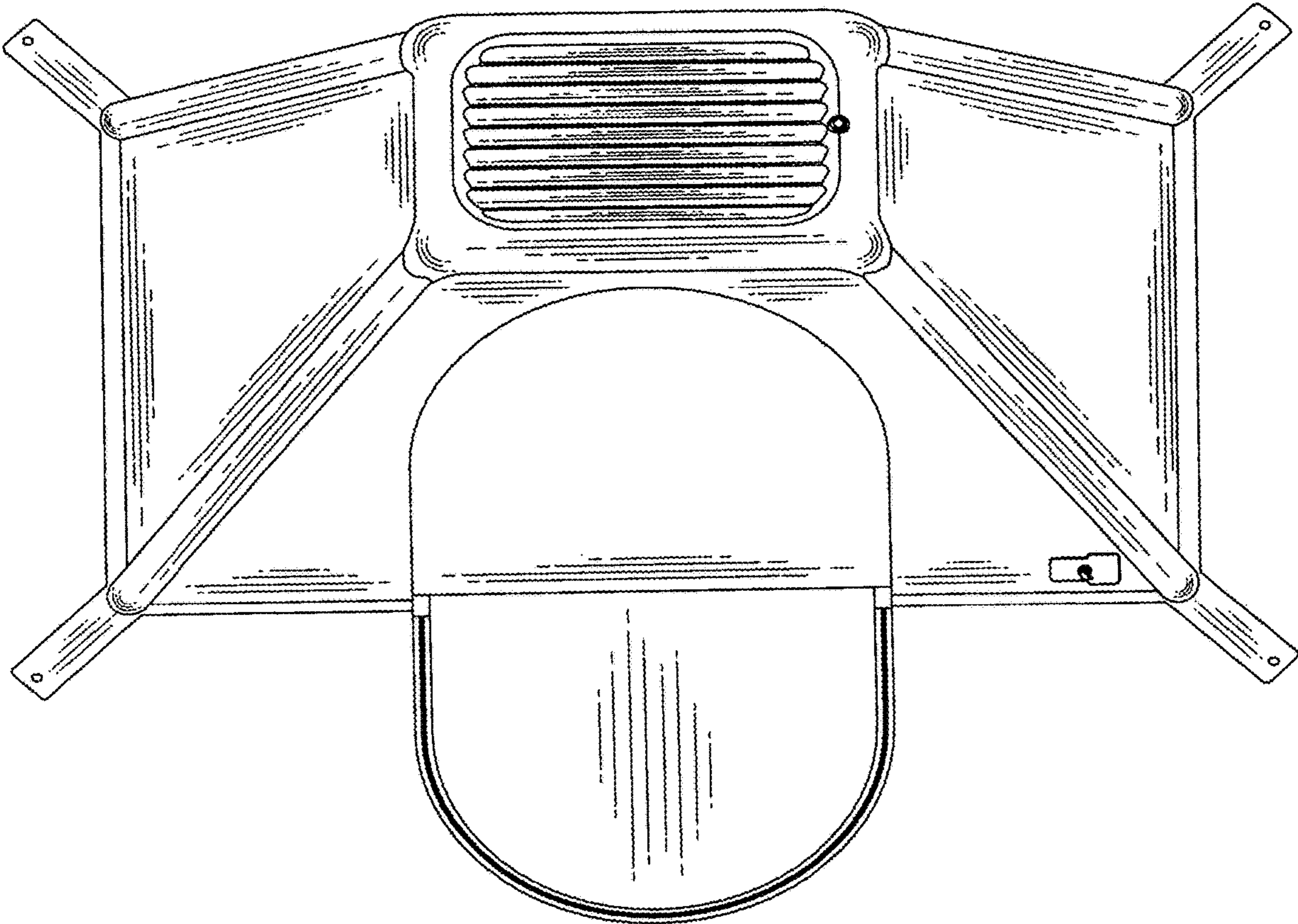


FIG. 1

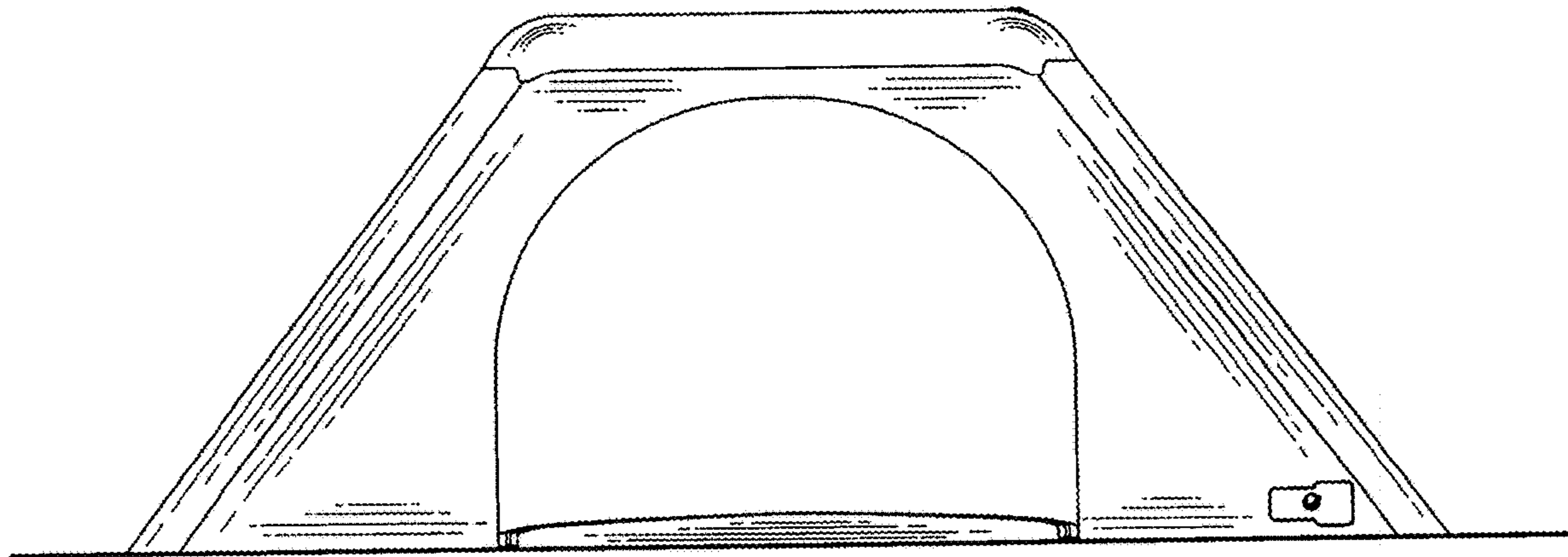


FIG. 2

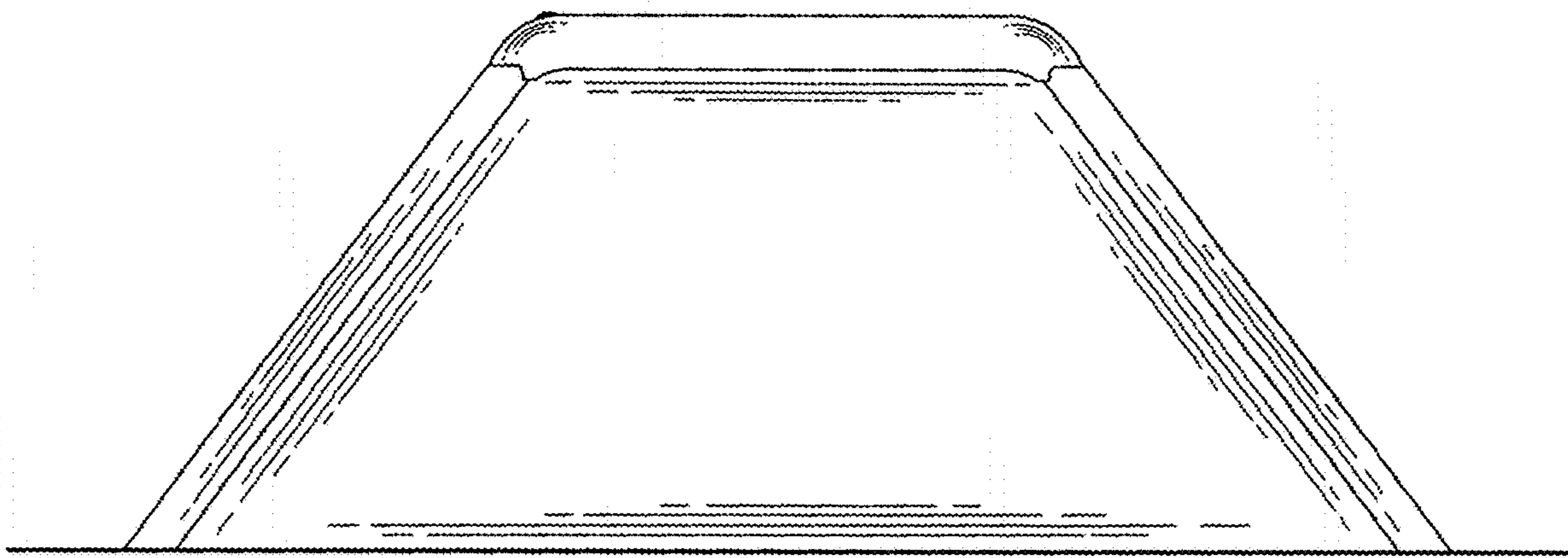


FIG. 3

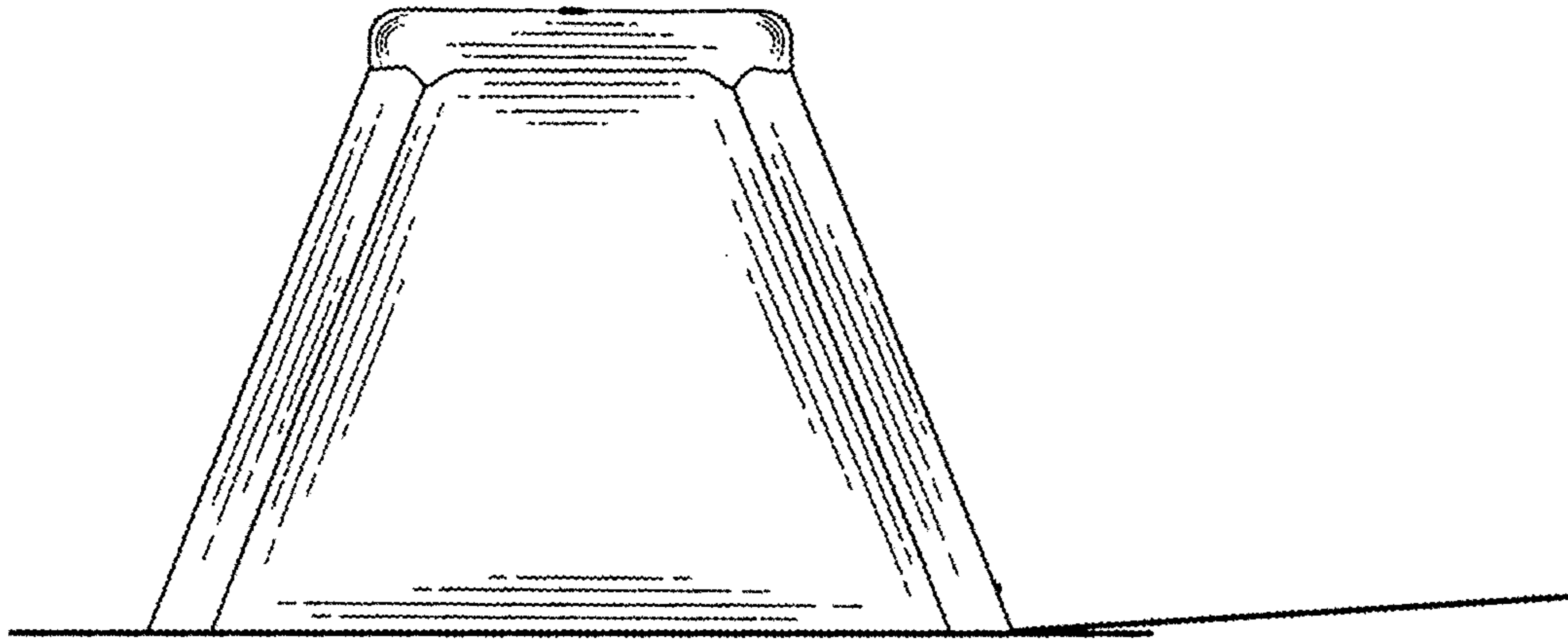


FIG. 4

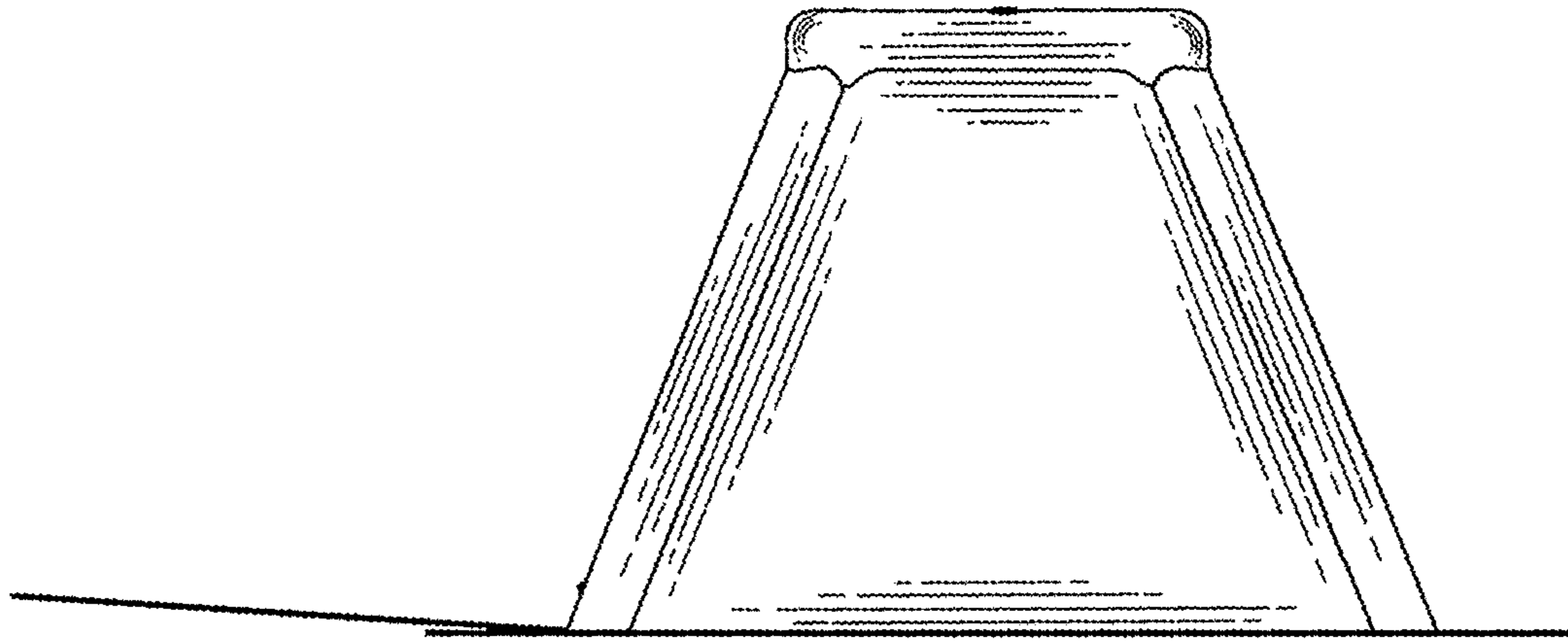


FIG. 5

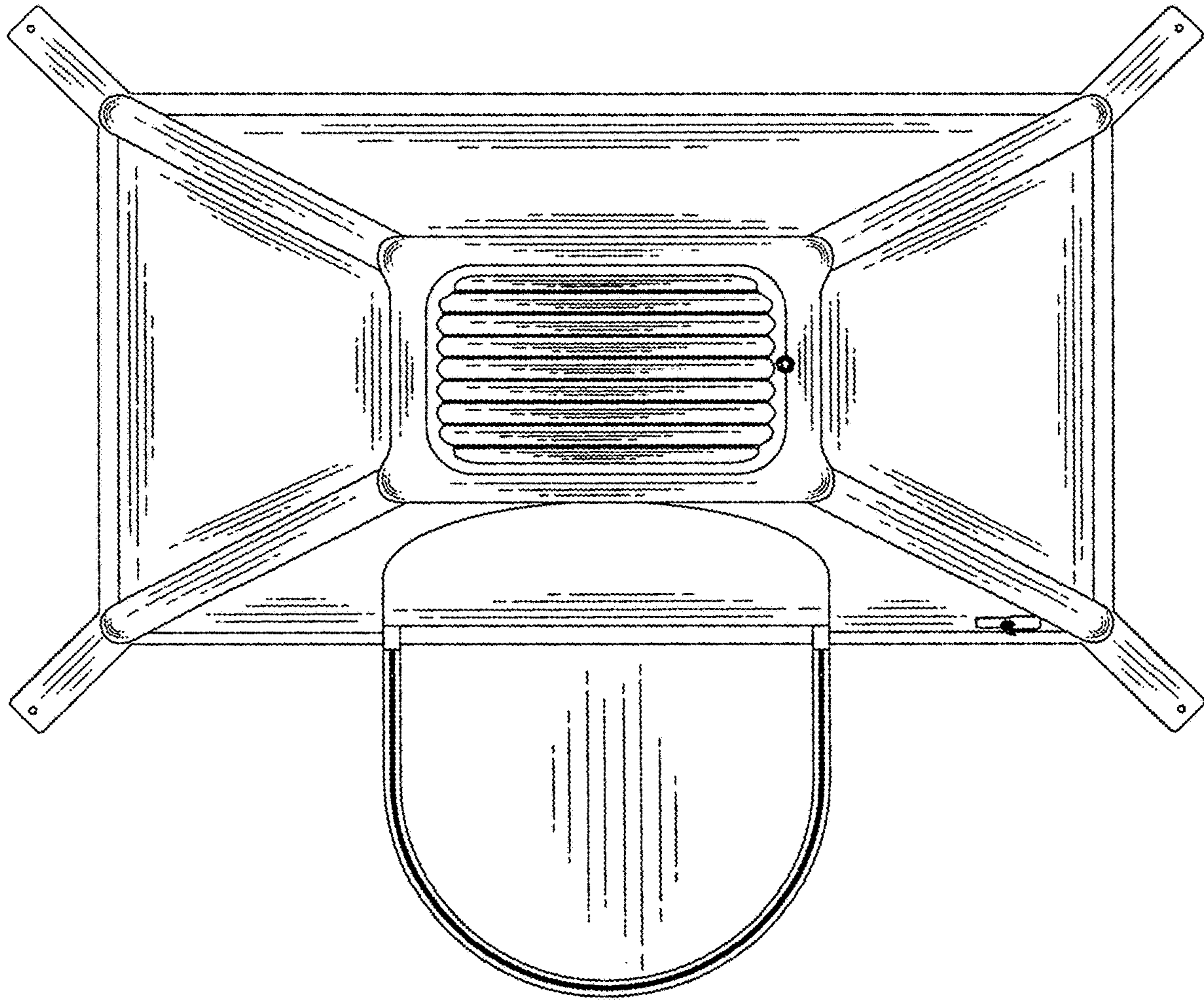


FIG. 6

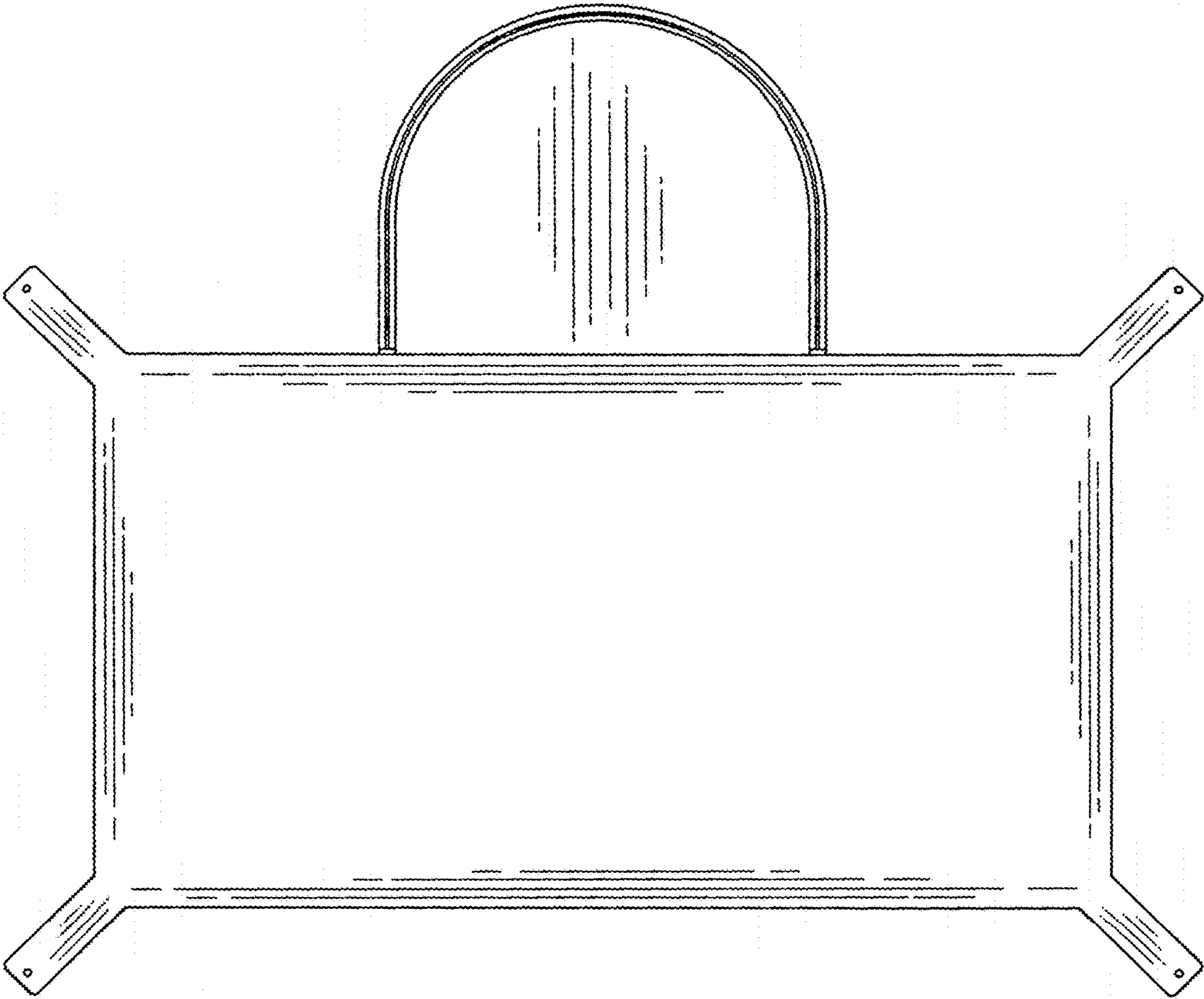


FIG. 7

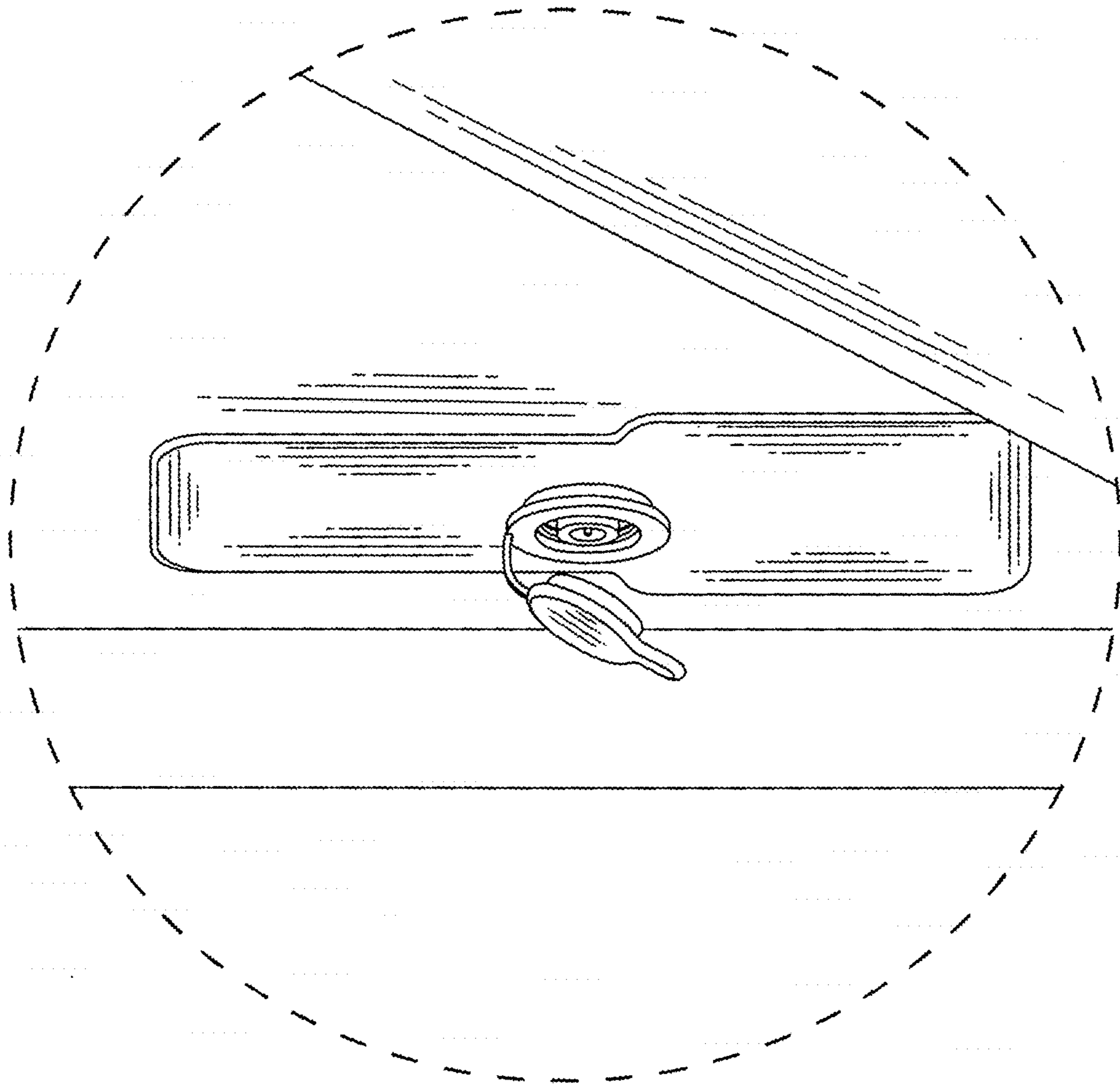


FIG. 8

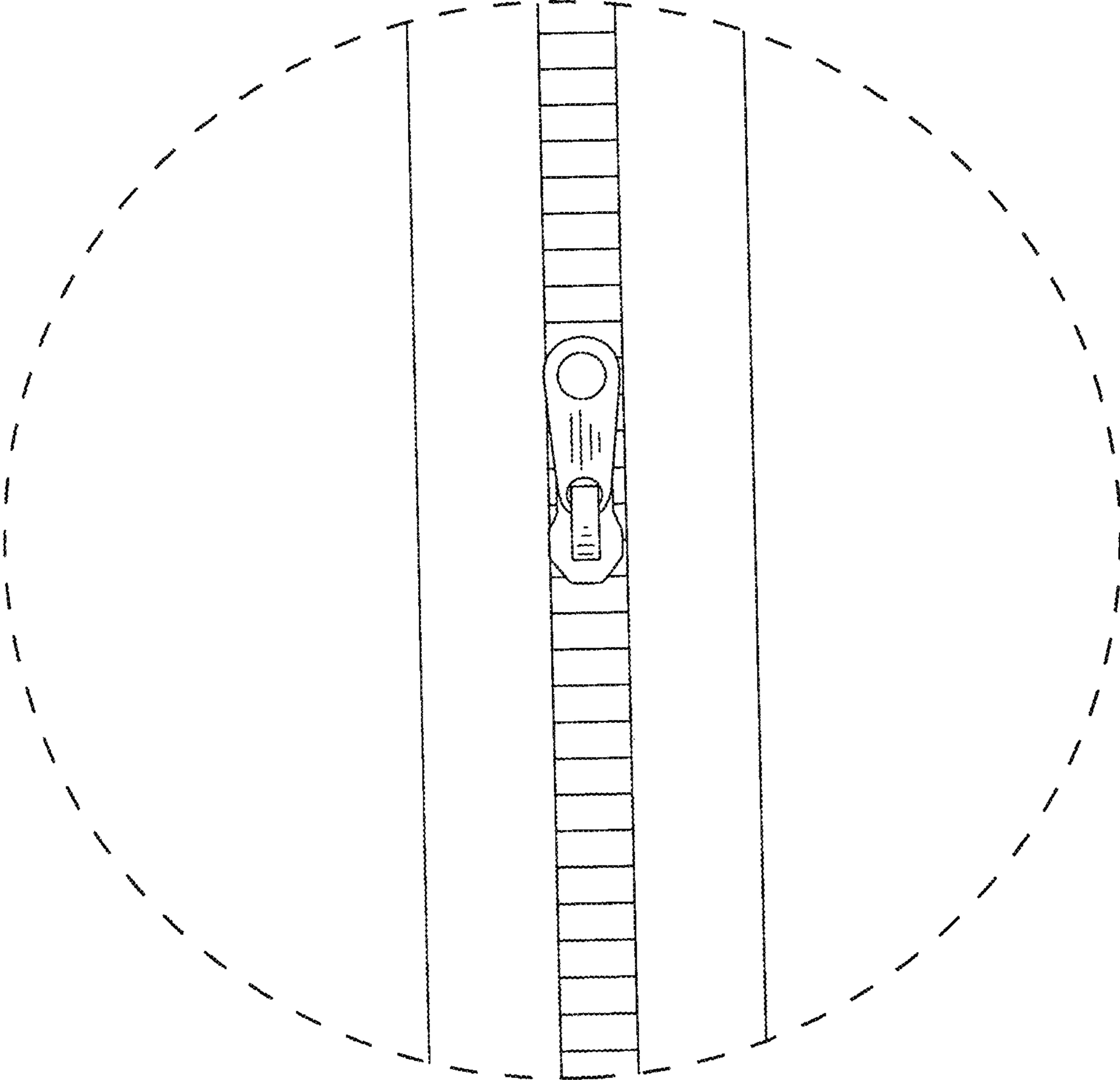


FIG. 9

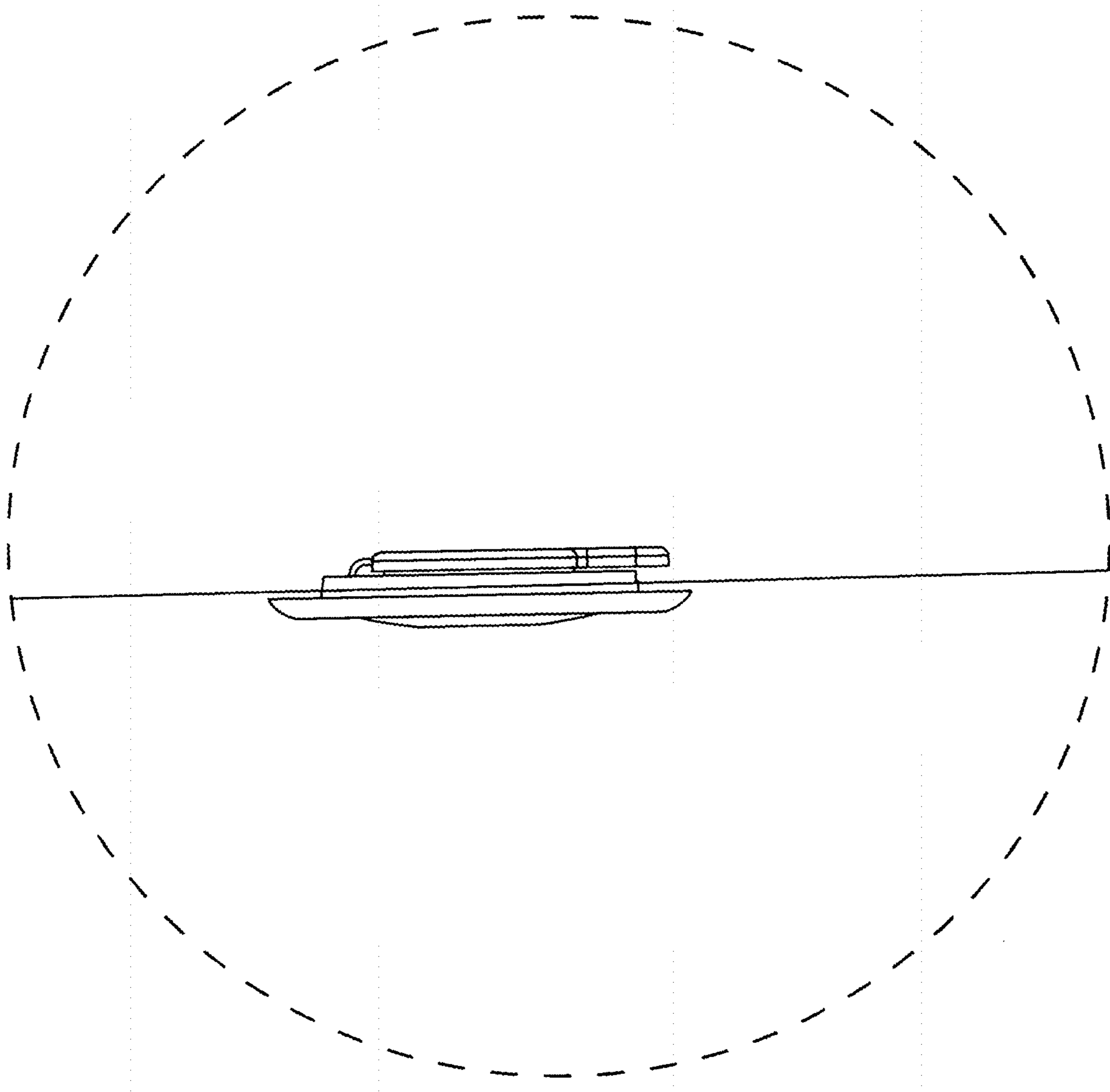


FIG. 10

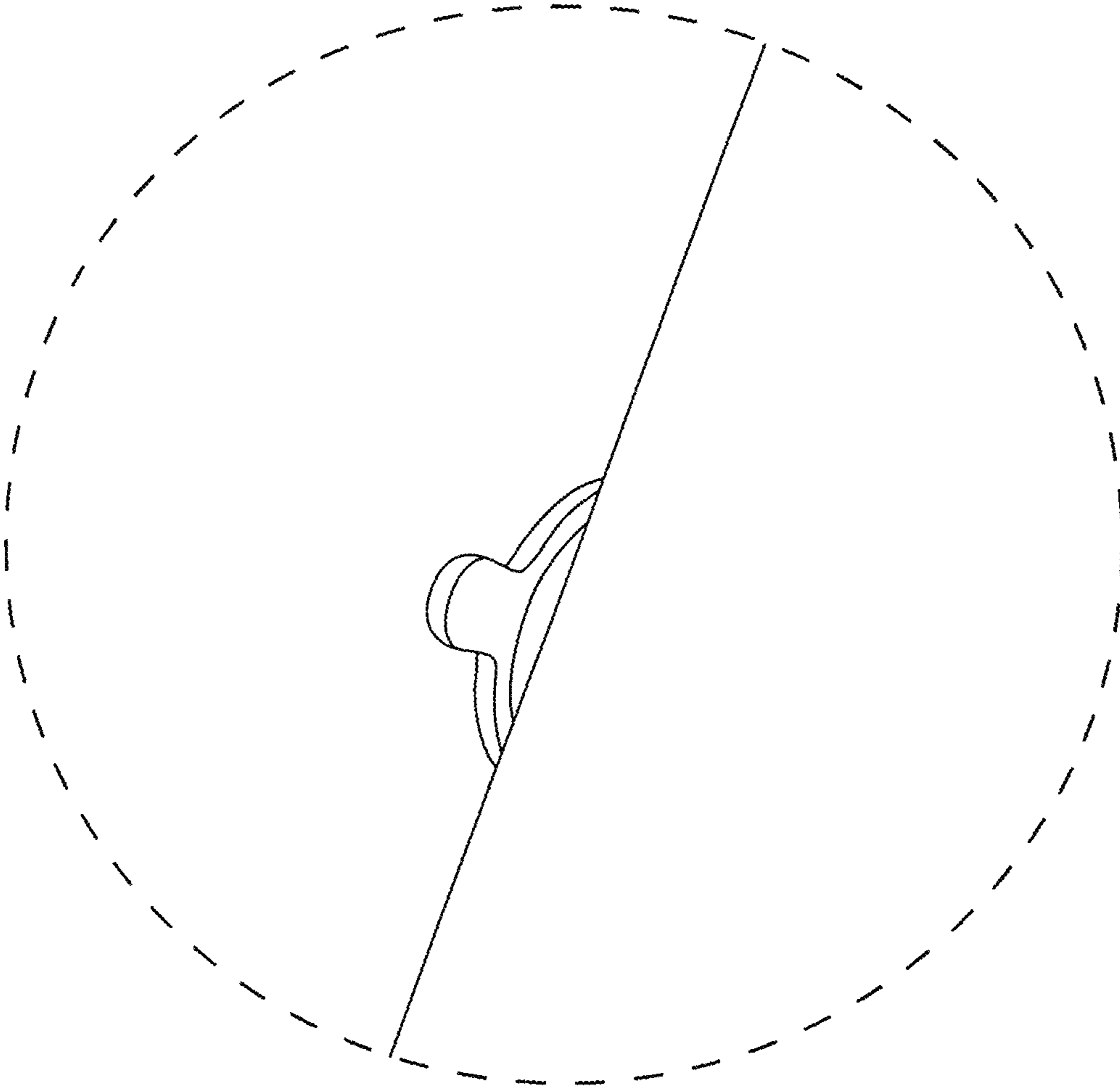


FIG. 11

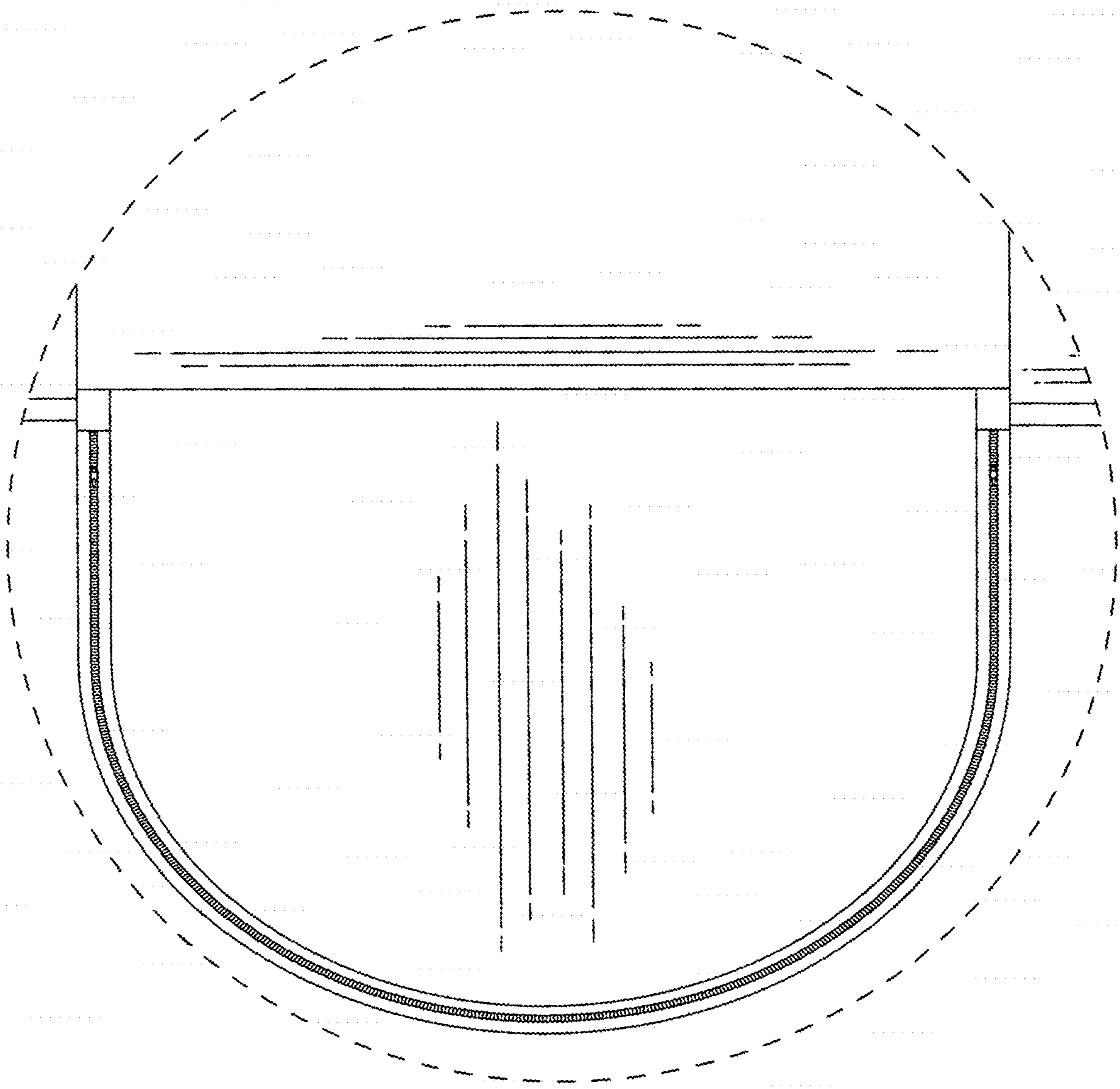


FIG. 12

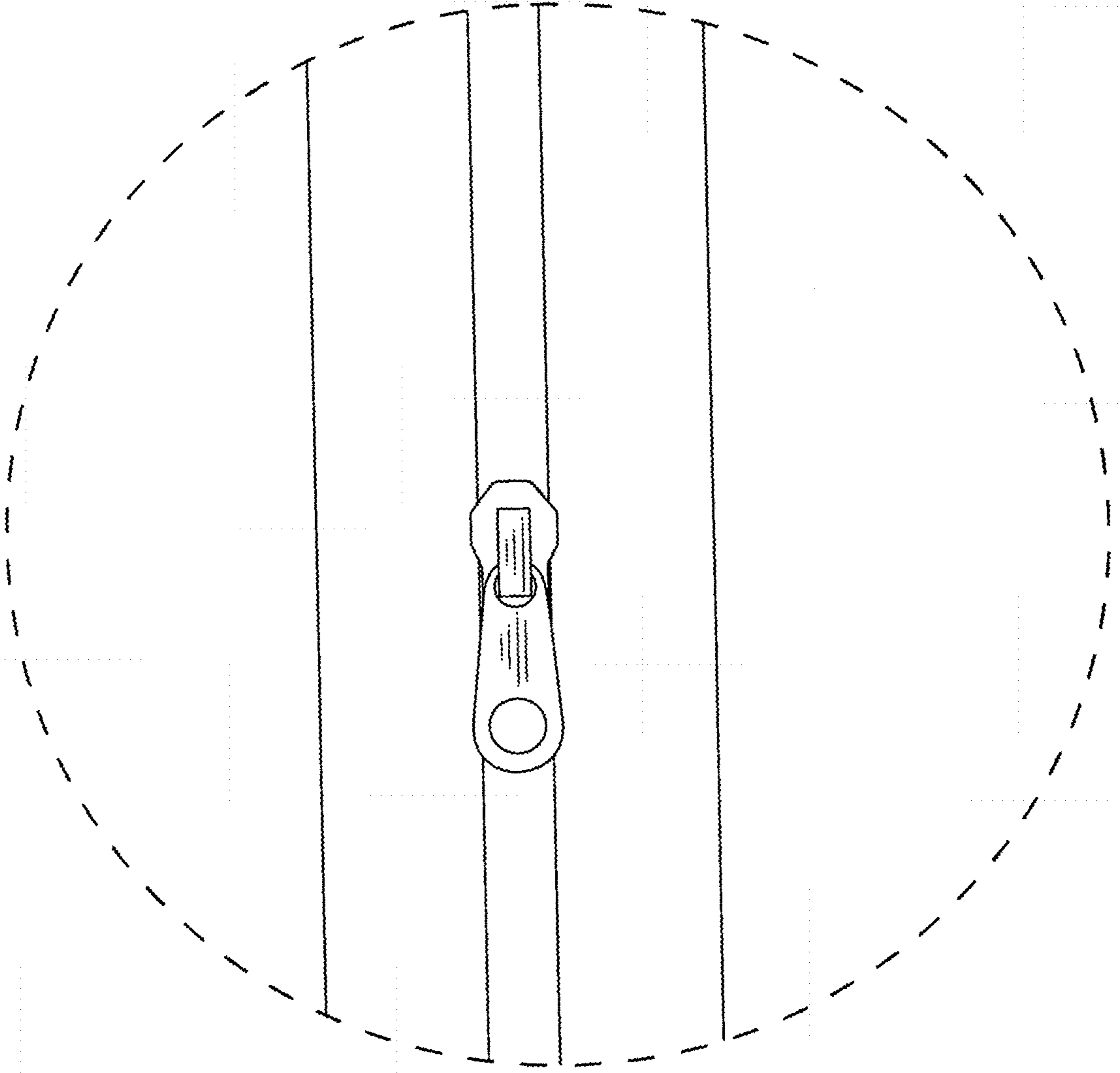


FIG. 13

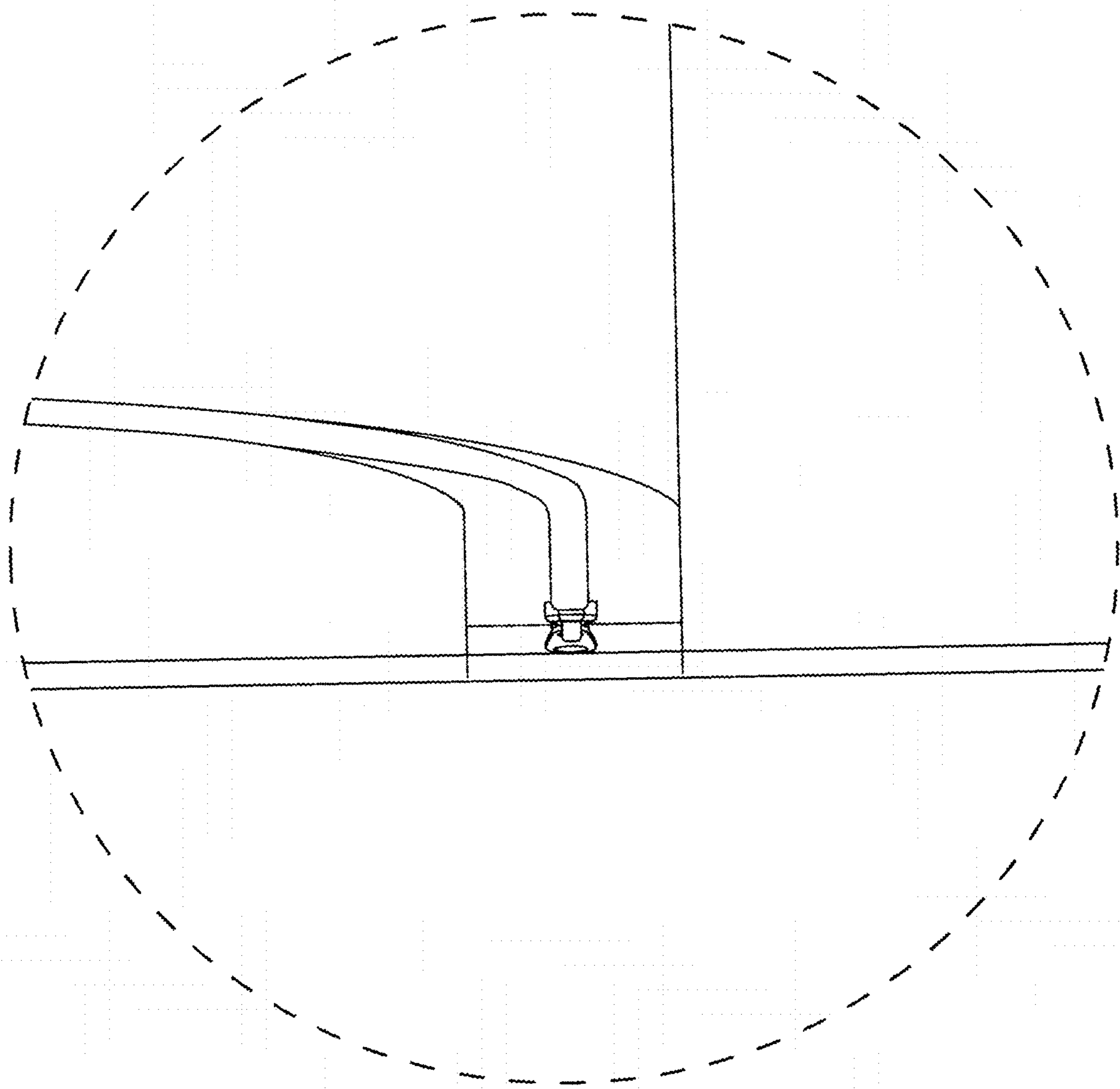


FIG. 14

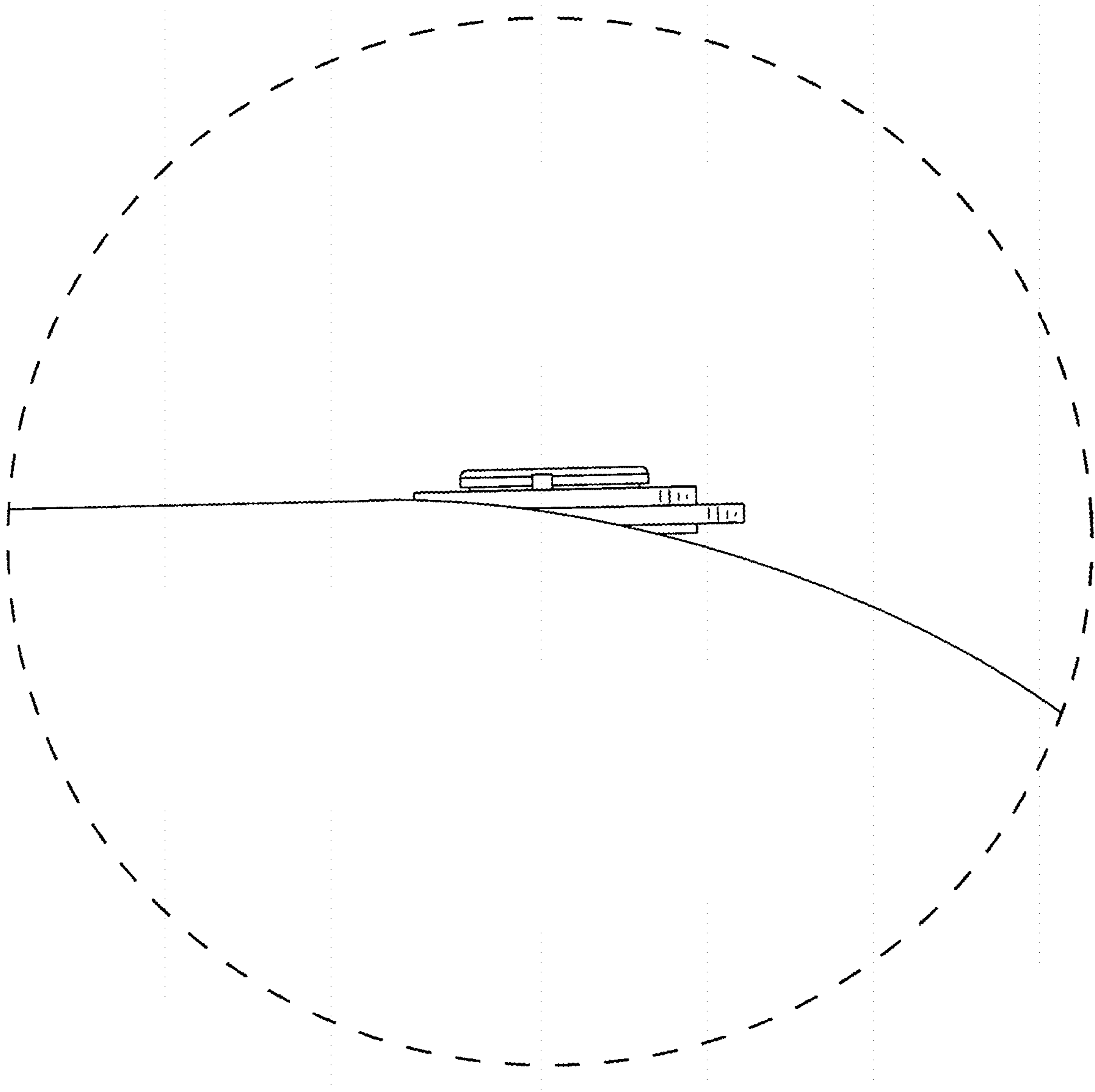


FIG. 15

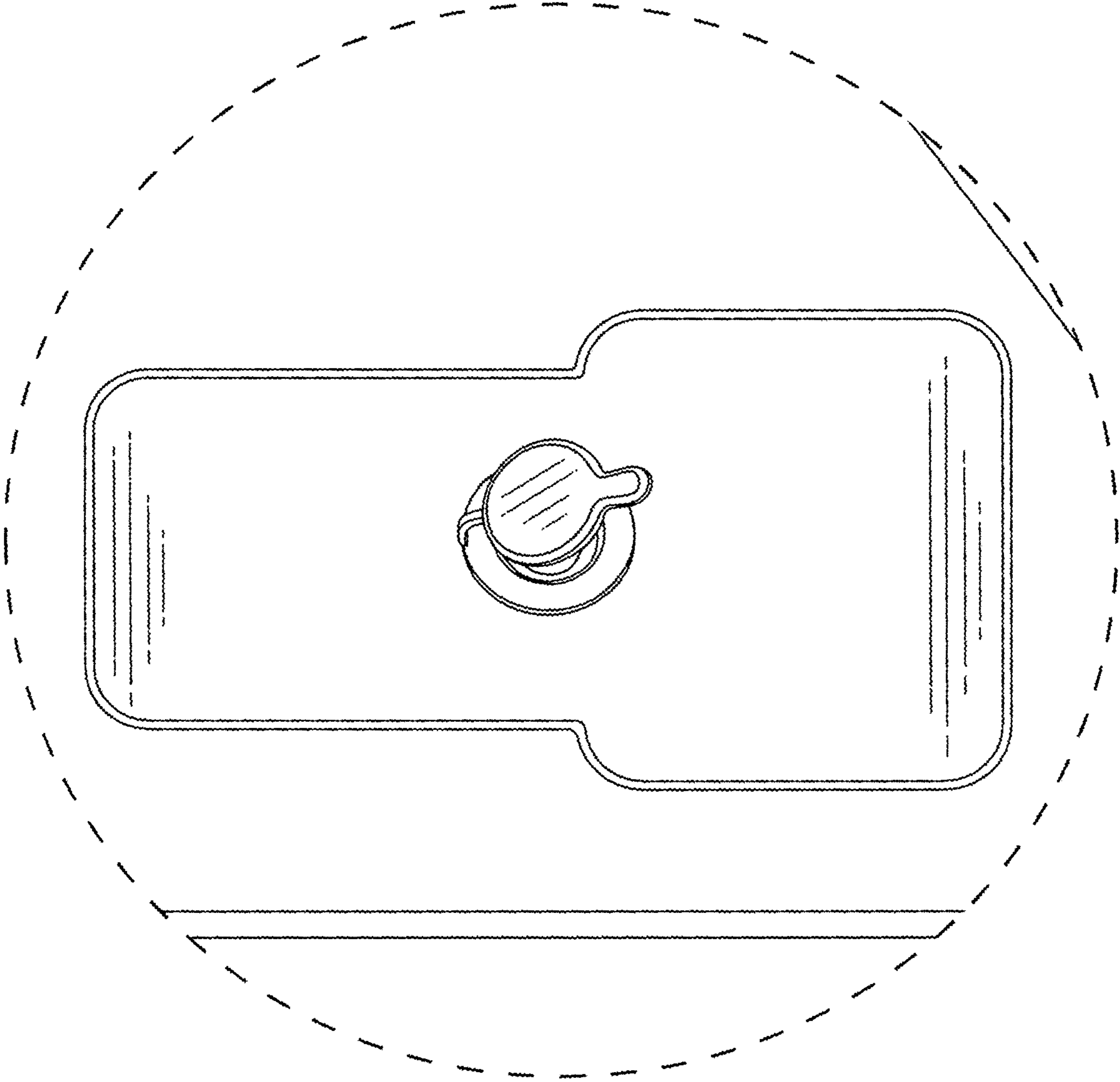


FIG. 16