



US00D926908S

(12) **United States Design Patent** (10) **Patent No.:** **US D926,908 S**
Wright et al. (45) **Date of Patent:** **** Aug. 3, 2021**

(54) **TENT**
(71) Applicant: **THECALIFORNIABEACHCO, LLC**,
Los Angeles, CA (US)
(72) Inventors: **Austin Wright**, Los Angeles, CA (US);
David Shoham, Los Angeles, CA (US)
(73) Assignee: **THECALIFORNIABEACHCO, LLC**,
Los Angeles, CA (US)

2015/0330099 A1* 11/2015 Zhou E04H 15/48
135/143
2017/0022732 A1* 1/2017 Jin E04H 15/36
2018/0220751 A1* 8/2018 Jin E04H 15/32

* cited by examiner

Primary Examiner — Cynthia M. Chin
(74) *Attorney, Agent, or Firm* — Elevated IP, LLC

(**) Term: **15 Years**

(57) **CLAIM**

(21) Appl. No.: **29/731,626**

The ornamental design for a tent, as shown and described.

(22) Filed: **Apr. 16, 2020**

DESCRIPTION

(51) **LOC (13) Cl.** **21-04**

(52) **U.S. Cl.**
USPC **D21/834**

(58) **Field of Classification Search**
USPC D21/834, 837, 838
CPC E04H 15/00; E04H 15/003; E04H 15/40;
E04H 15/405; E04H 15/44; E04H 15/42;
E04H 15/425
See application file for complete search history.

FIG. 1 is a top isometric view of an ornamental design for a tent;
FIG. 2 is a front elevational view thereof;
FIG. 3 is a back elevational view thereof;
FIG. 4 is a left side elevational view thereof;
FIG. 5 is a right side elevational view thereof;
FIG. 6 is a top plan view thereof;
FIG. 7 is a bottom elevational view thereof;
FIG. 8 is an enlarged partial detailed view taken from the top of the tent in FIG. 1;
FIG. 9 is an enlarged partial detailed view taken from the right side of the tent in FIG. 1;
FIG. 10 is an enlarged partial detailed view taken from the bottom right of the tent in FIG. 1;
FIG. 11 is a top isometric view thereof in a partially opened configuration; and,
FIG. 12 is a top isometric view thereof in a fully opened configuration.

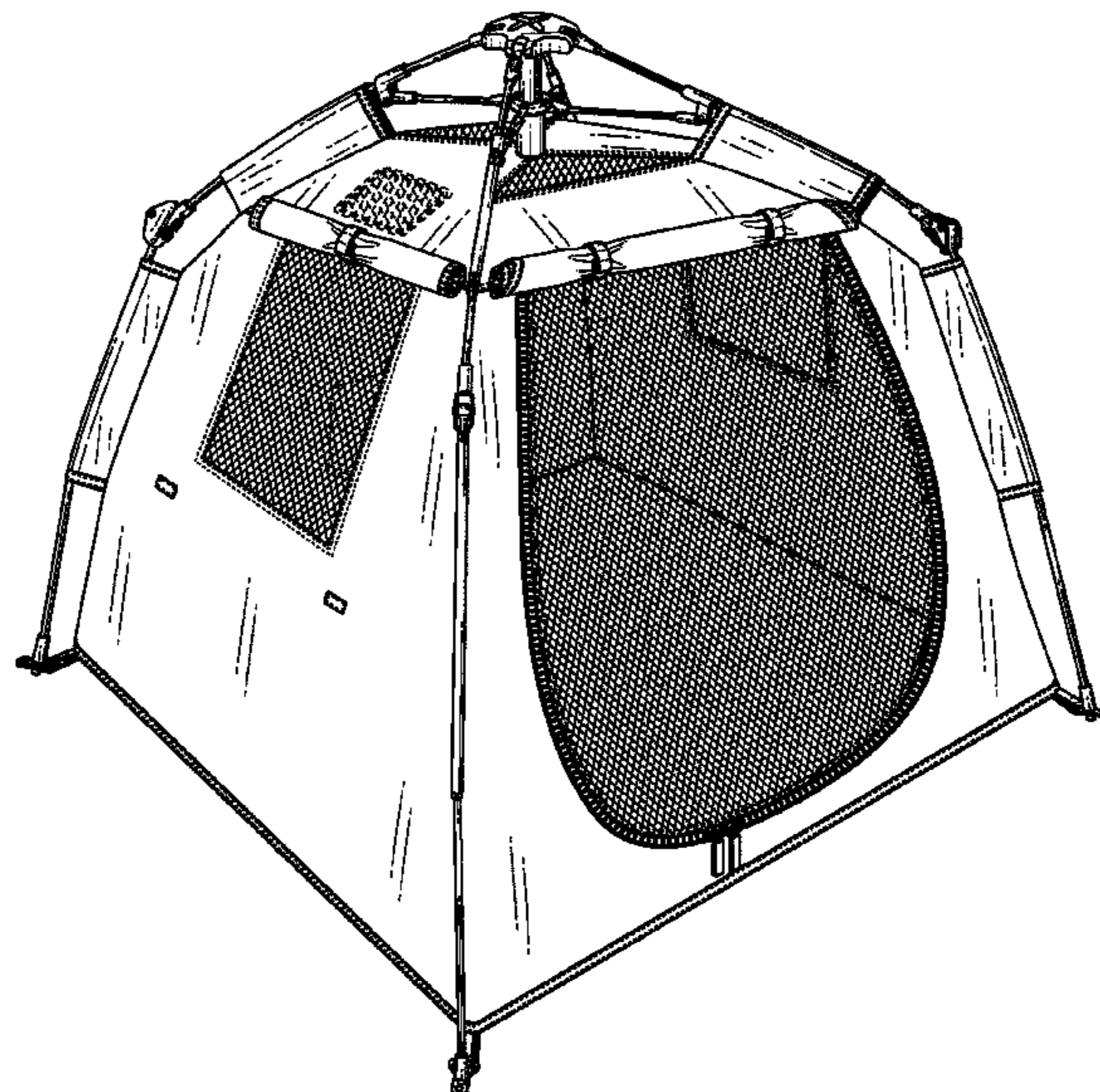
(56) **References Cited**

U.S. PATENT DOCUMENTS

6,854,476 B1* 2/2005 Chai E04H 15/48
135/135
D687,116 S * 7/2013 Jin D21/834
D695,376 S * 12/2013 Jin D21/834
D696,373 S * 12/2013 Jin D21/834
D718,828 S * 12/2014 Jin D21/834
D872,209 S * 1/2020 Zhu D21/837
D910,138 S * 2/2021 Chen D21/837
2004/0226596 A1* 11/2004 Chai E04H 15/48
135/135
2005/0178421 A1* 8/2005 Holub E04H 15/425
135/156
2008/0047597 A1* 2/2008 Rothweil E04H 15/48
135/126

The broken lines are for the purpose of illustrating portions of the article that form no part of the claim. The dash-dot broken lines represent the boundaries of the enlarged partial views of FIGS. 8-10 and form no part of the claimed design.

1 Claim, 10 Drawing Sheets



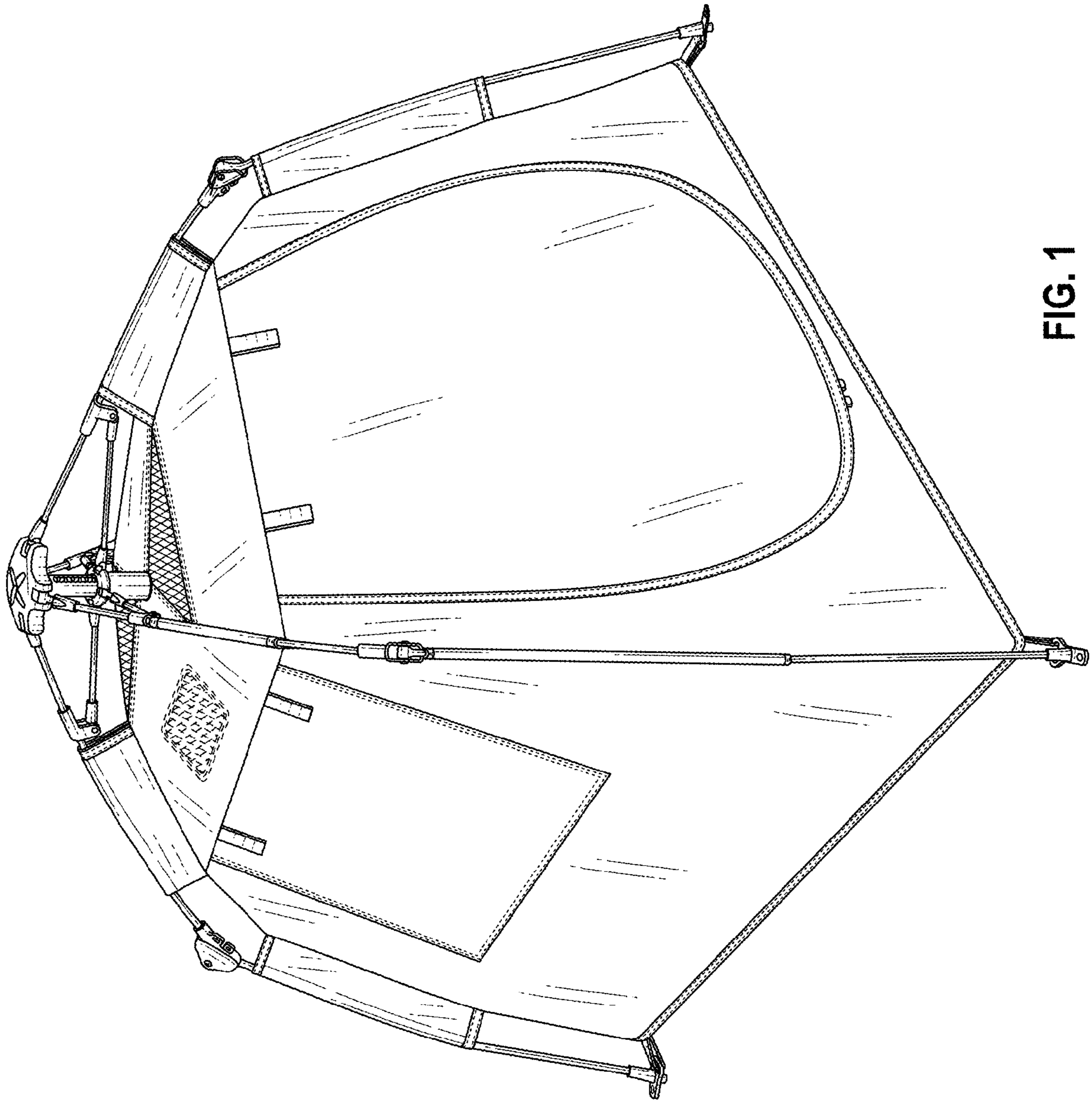


FIG. 1

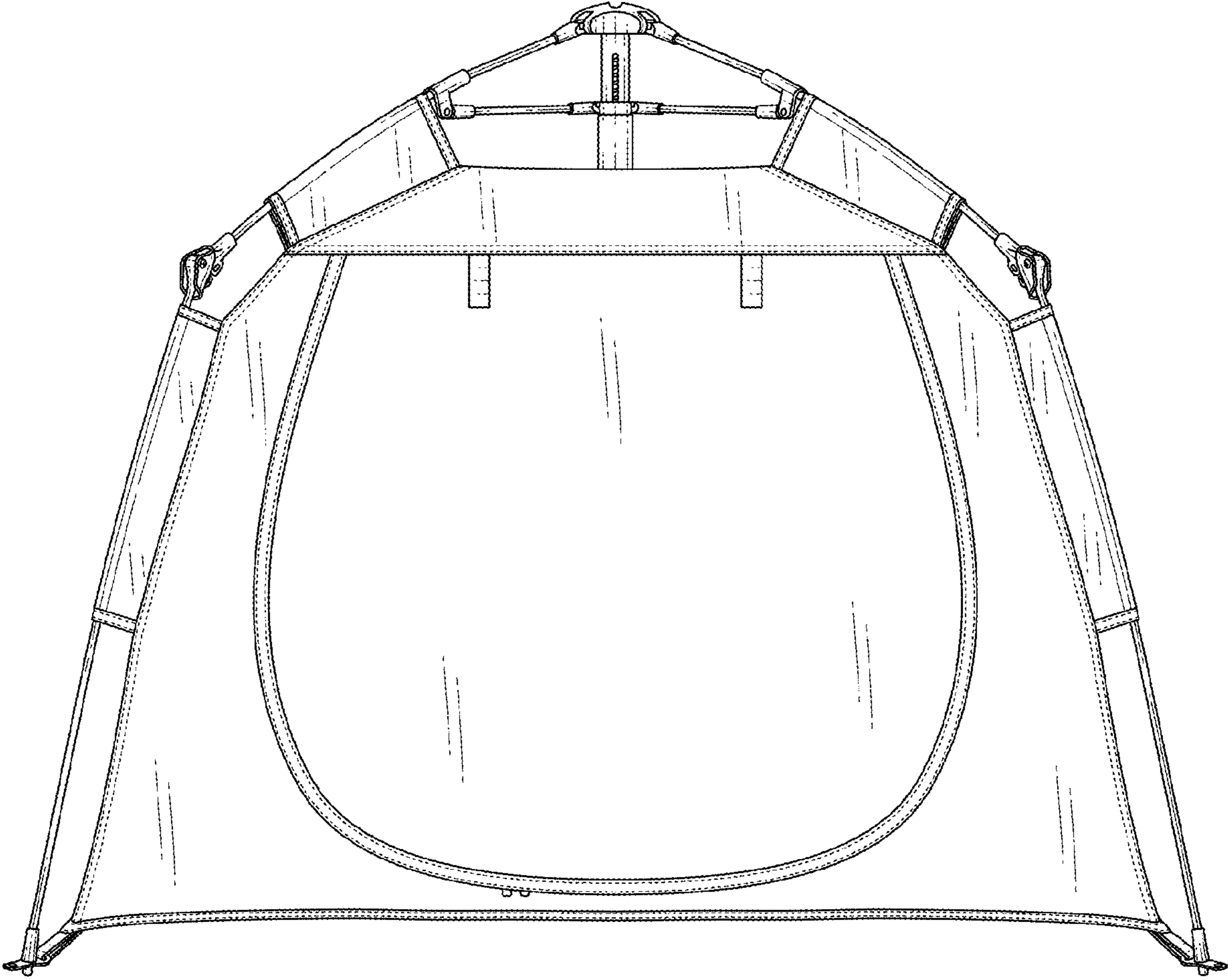


FIG. 2

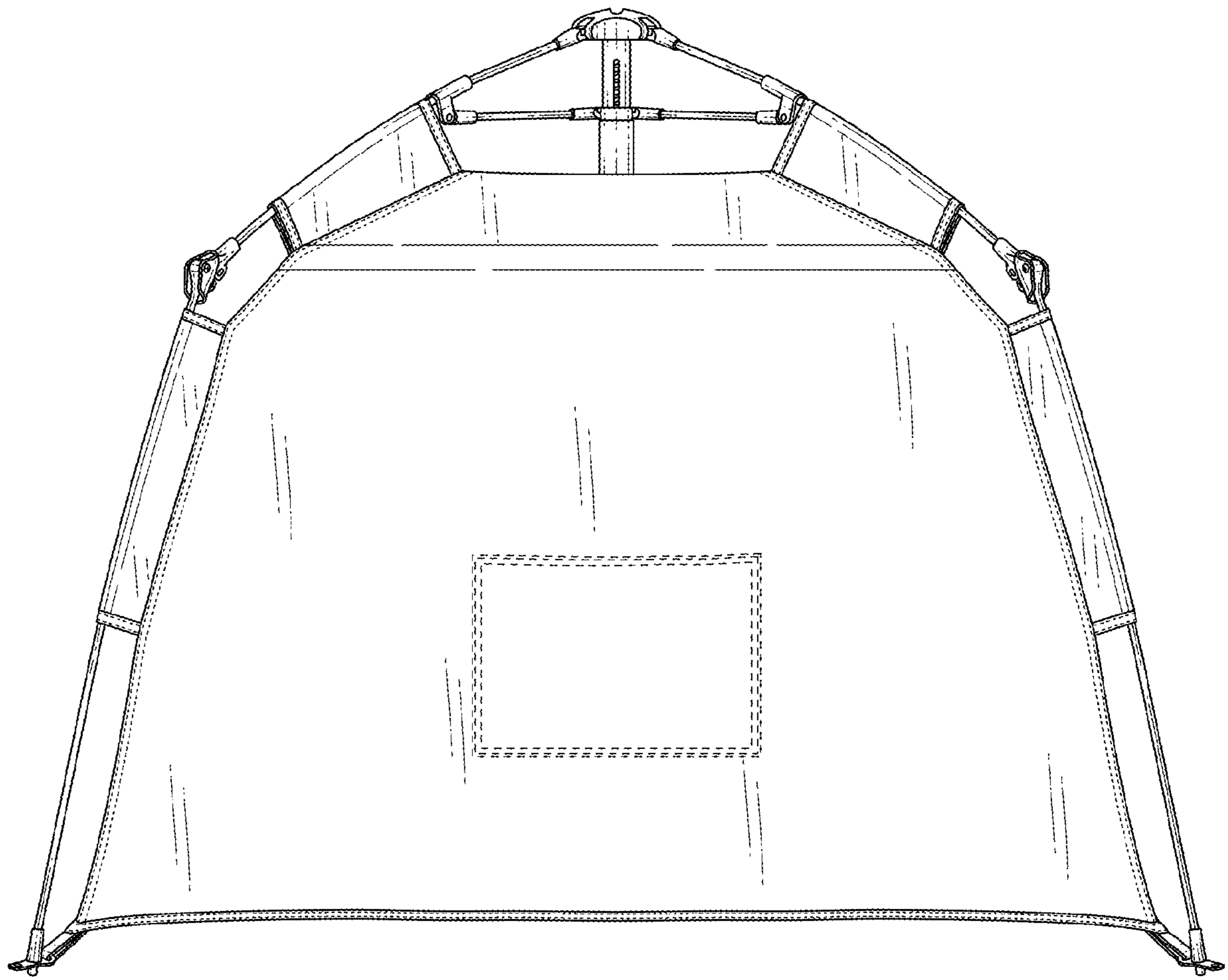


FIG. 3

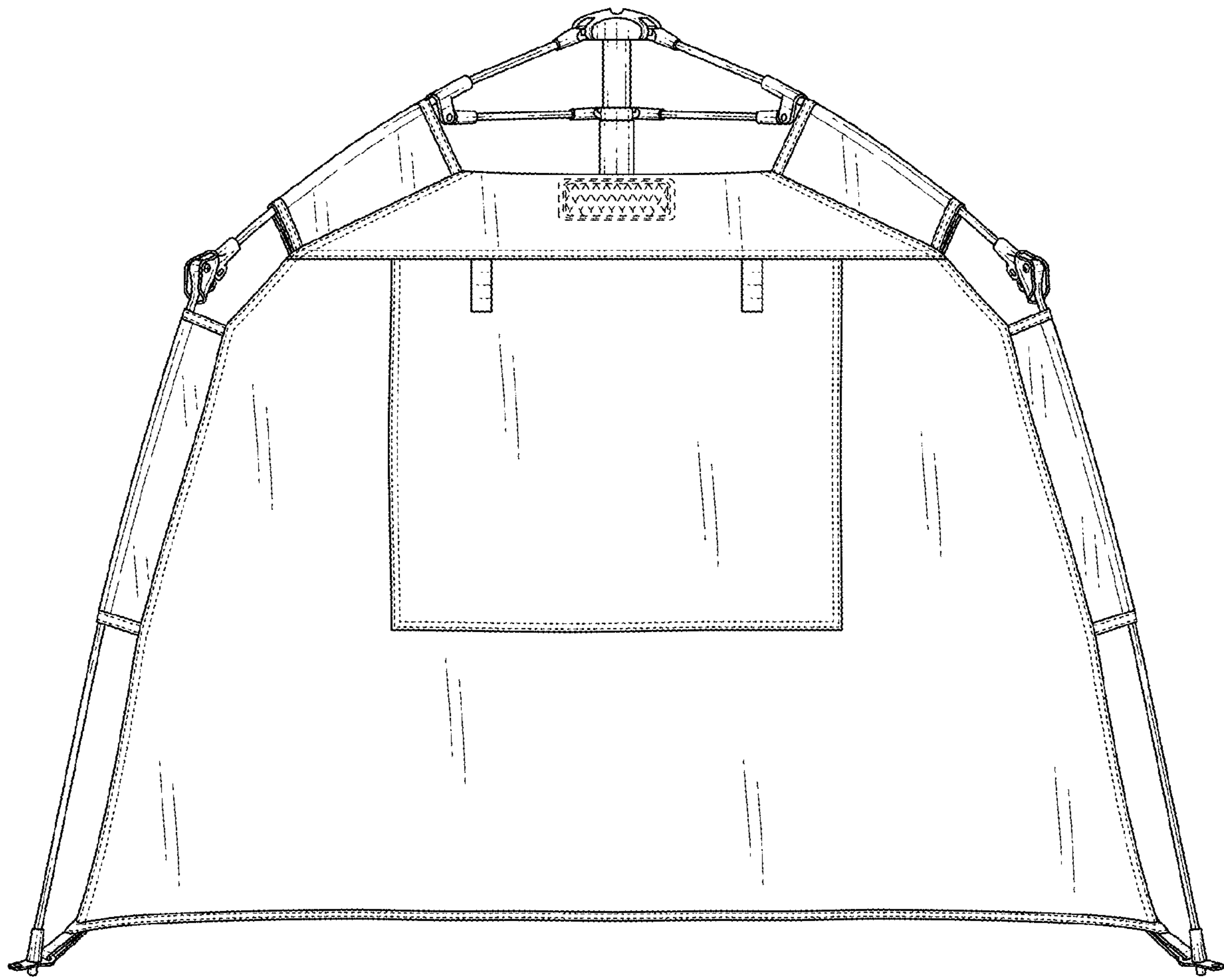


FIG. 4

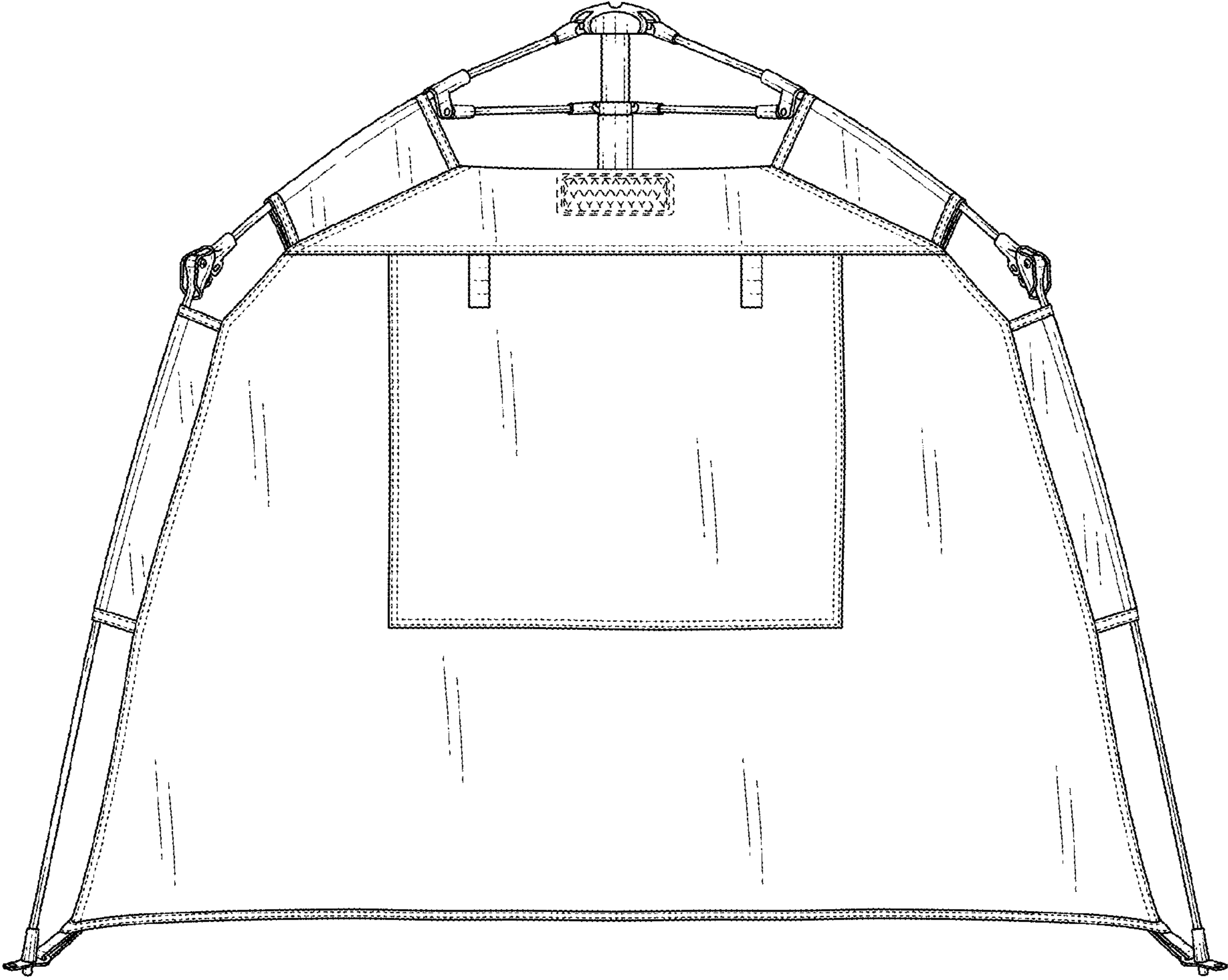


FIG. 5

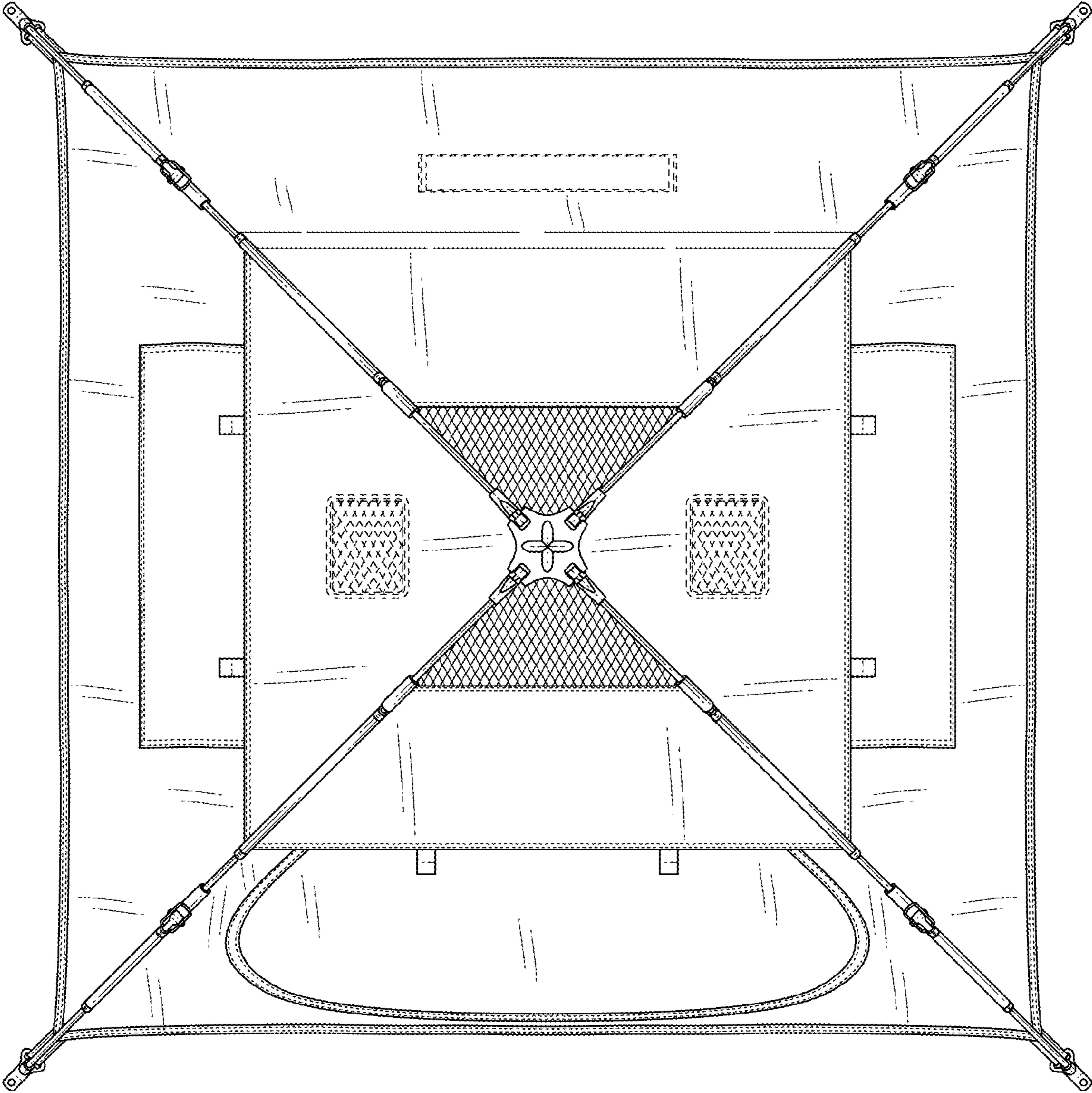


FIG. 6

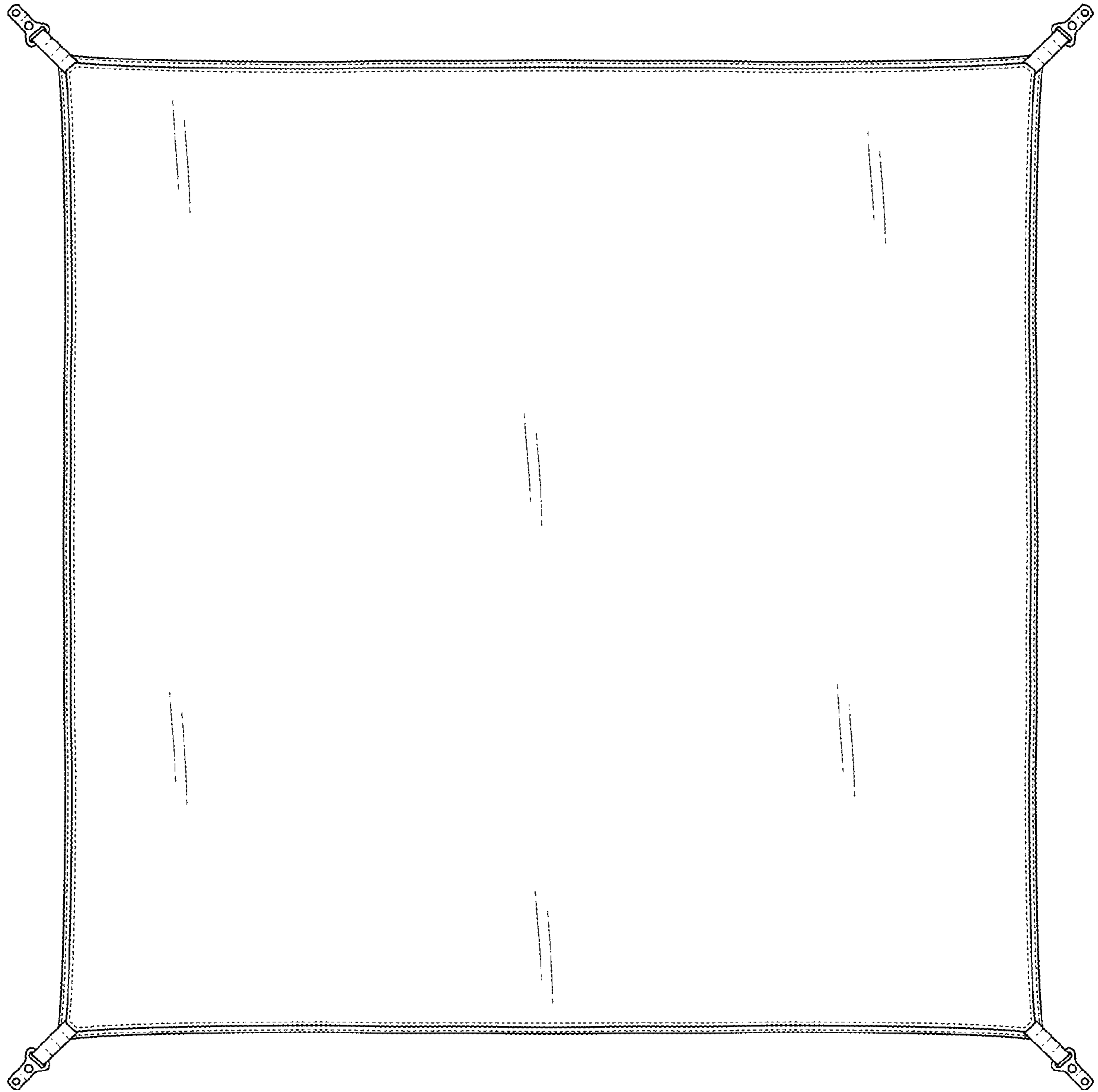


FIG. 7

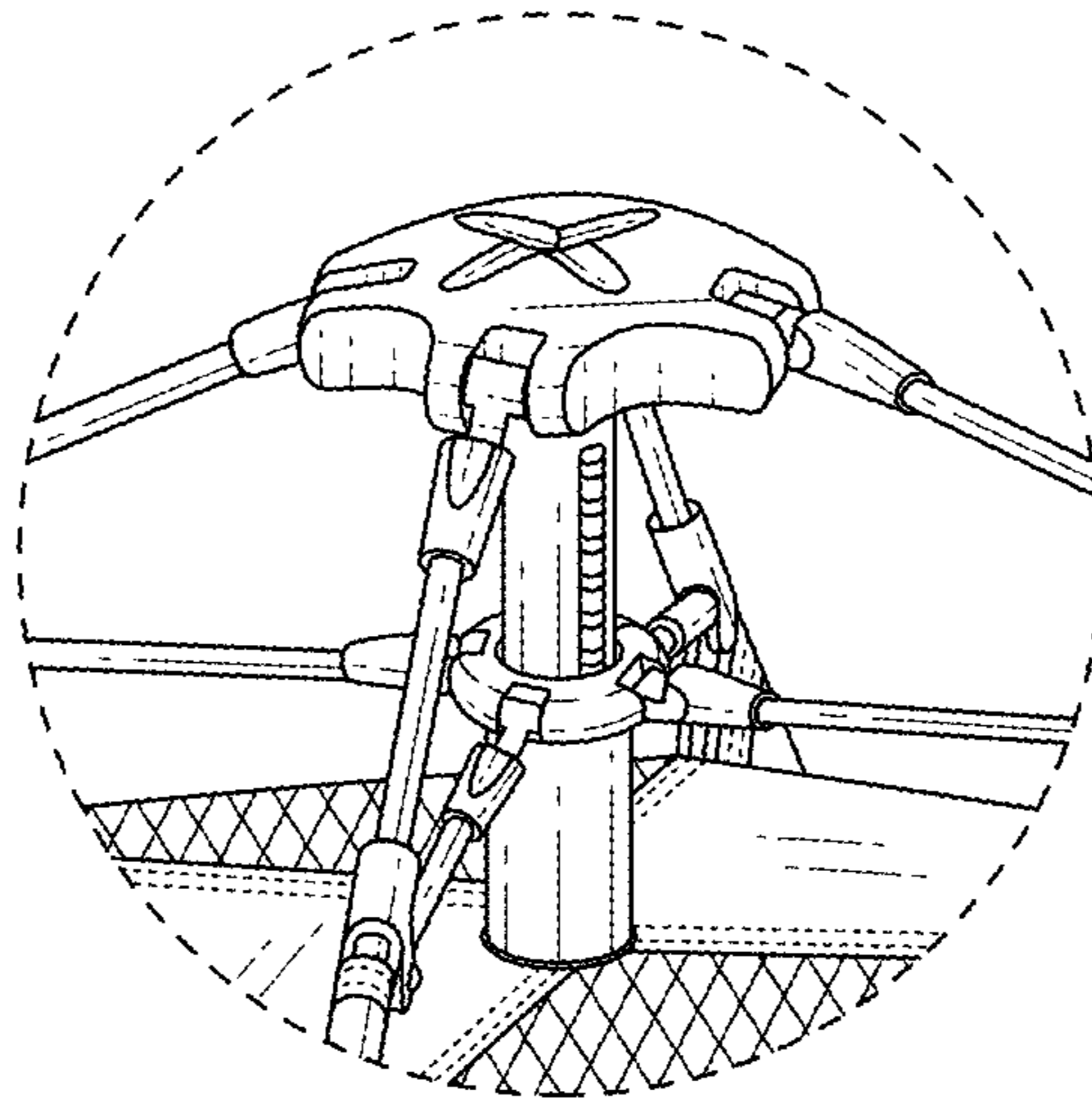


FIG. 8

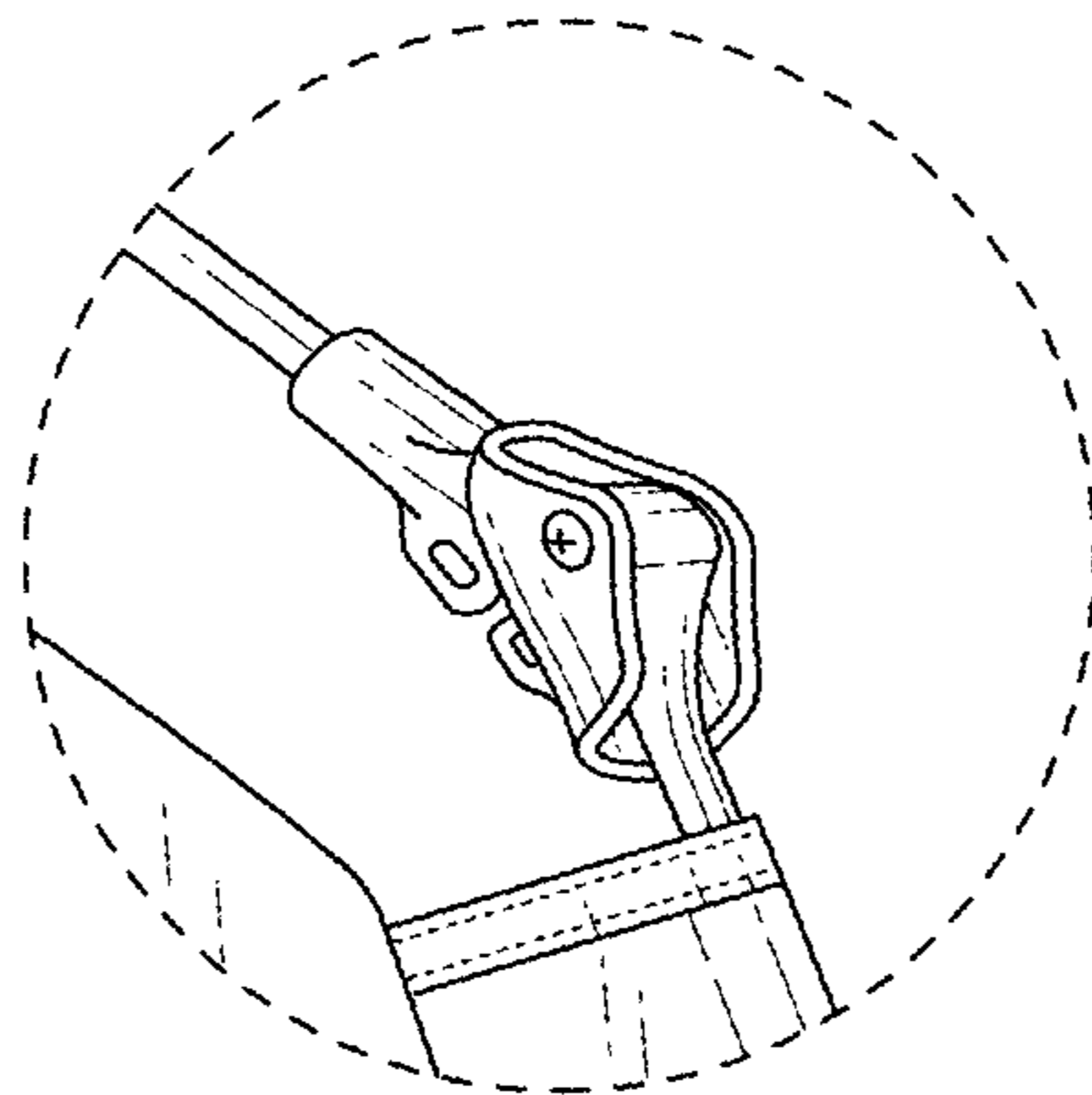


FIG. 9

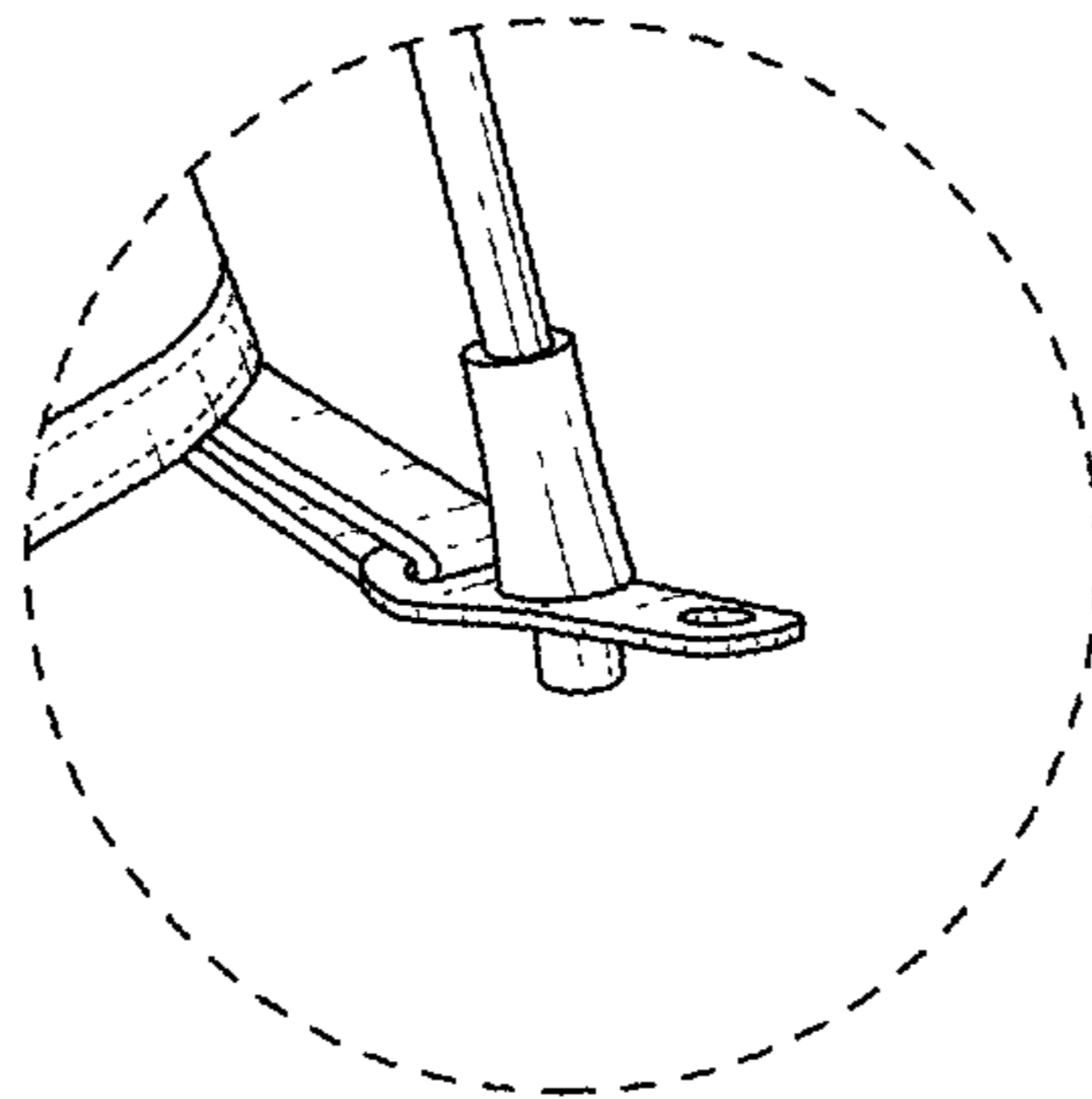


FIG. 10

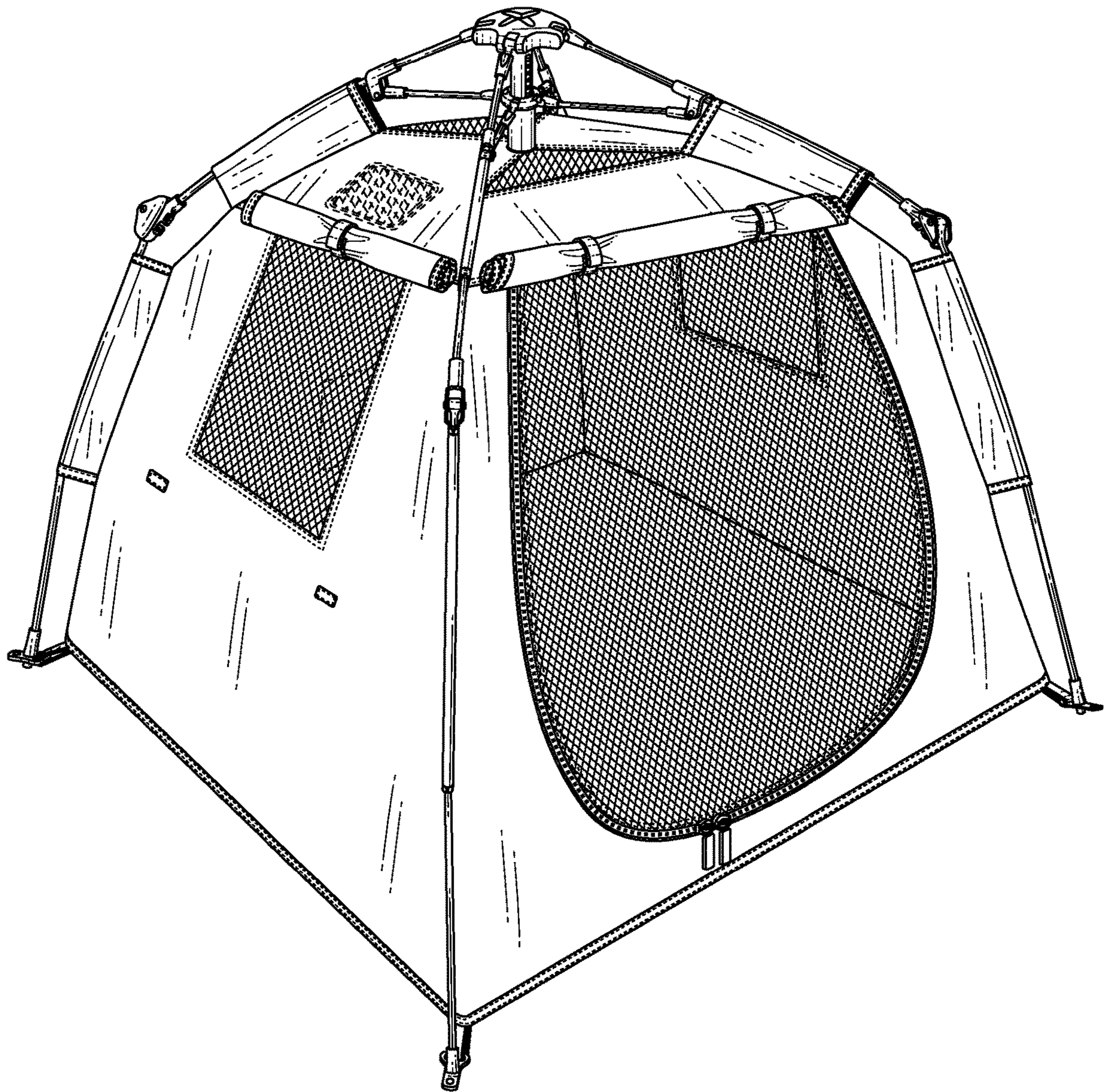


FIG. 11

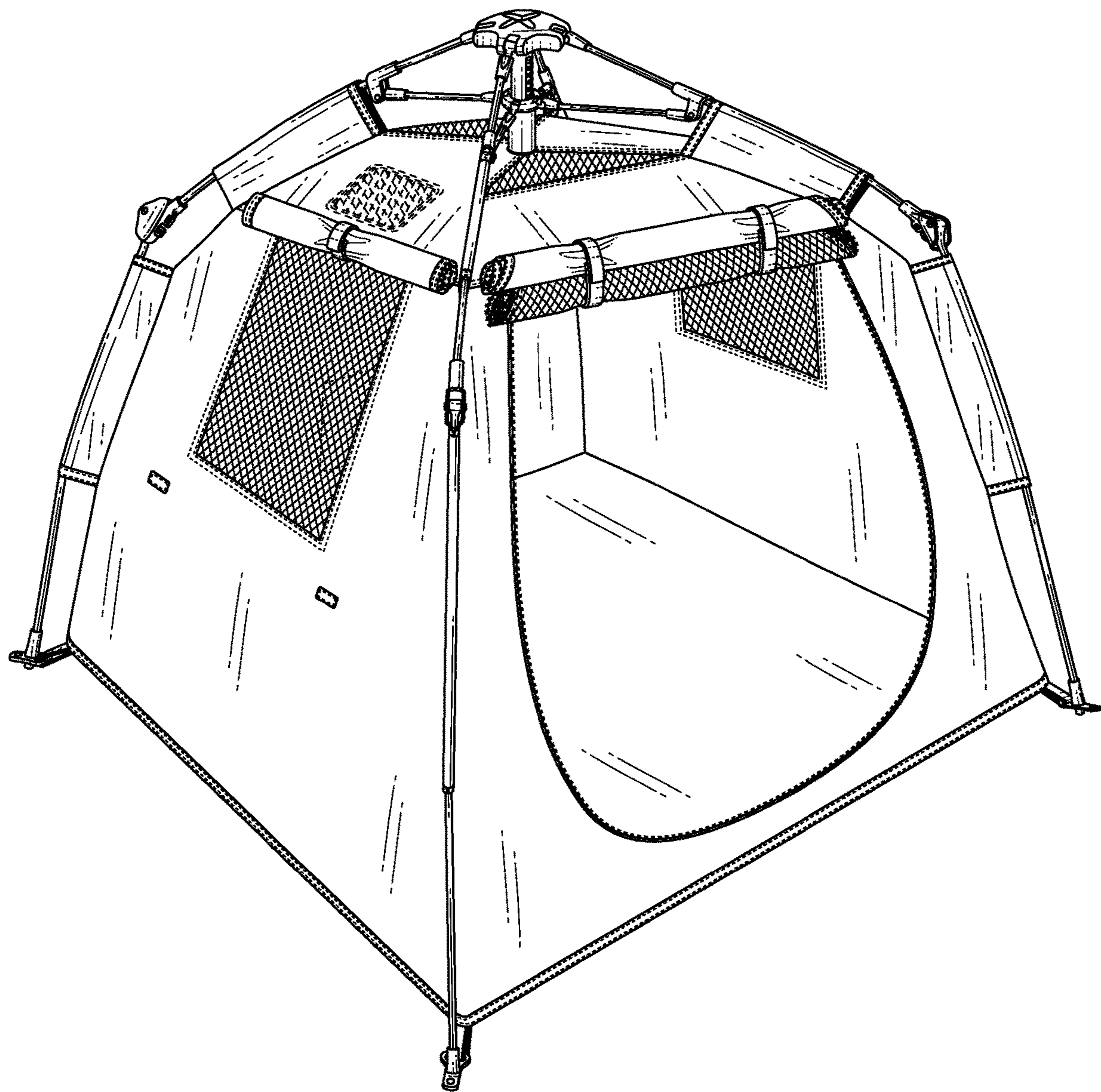


FIG. 12