



US00D926906S

(12) **United States Design Patent** (10) **Patent No.:** **US D926,906 S**
Stoter (45) **Date of Patent:** **** Aug. 3, 2021**

- (54) **POOL FLOAT**
- (71) Applicant: **VIVERE LTD.**, Guelph (CA)
- (72) Inventor: **Jason Stoter**, Guelph (CA)
- (73) Assignee: **VIVERE LTD.**, Guelph (CA)
- (**) Term: **15 Years**
- (21) Appl. No.: **29/755,312**
- (22) Filed: **Oct. 19, 2020**

Related U.S. Application Data

- (62) Division of application No. 29/722,743, filed on Jan. 31, 2020, now Pat. No. Des. 900,266.
- (51) **LOC (13) Cl.** **21-02**
- (52) **U.S. Cl.**
USPC **D21/809**
- (58) **Field of Classification Search**
USPC D21/801, 803, 809; D6/595, 596, 601
CPC B63B 32/20; B63B 32/22; B63B 32/51;
B63B 32/54
See application file for complete search history.

(56) **References Cited**

U.S. PATENT DOCUMENTS

D584,911 S *	1/2009	Hisey	D21/803
D613,105 S *	4/2010	Chuang	D6/601
D657,832 S *	4/2012	Beber	D21/683
D718,086 S *	11/2014	Lewis	D7/391
D844,347 S *	4/2019	Bosstick	D6/604
D867,785 S *	11/2019	Winborne	D6/596
D900,266 S *	10/2020	Stoter	D21/809
D910,338 S *	2/2021	Zhang	D6/596

* cited by examiner

Primary Examiner — Zenia I Bennett

(74) *Attorney, Agent, or Firm* — Hodgson Russ LLP

(57) **CLAIM**

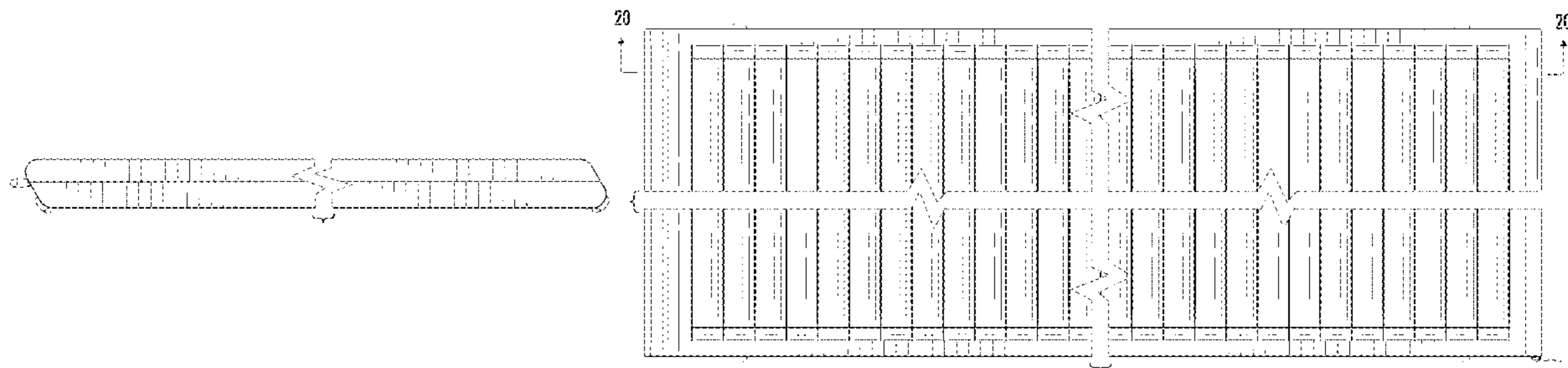
The ornamental design for a pool float, as shown and described.

DESCRIPTION

FIG. 1 is a perspective view of a first embodiment of a pool float, showing my new design;
 FIG. 2 is a front elevation view thereof;
 FIG. 3 is a rear elevation view thereof;
 FIG. 4 is a right side elevation view thereof;
 FIG. 5 is a left side elevation view thereof;
 FIG. 6 is a top plan view thereof;
 FIG. 7 is a bottom plan view thereof;
 FIG. 8 is a perspective view thereof, showing the pool float in a partially opened position with exemplary pool noodles disposed therein;
 FIG. 9 is a detail view thereof;
 FIG. 10 is a cross-sectional view taken along 10-10 of FIG. 6;
 FIG. 11 is a perspective view of a second embodiment of a pool float;
 FIG. 12 is a front elevation view thereof;
 FIG. 13 is a rear elevation view thereof;
 FIG. 14 is a right side elevation view thereof;
 FIG. 15 is a left side elevation view thereof;
 FIG. 16 is a top plan view thereof;
 FIG. 17 is a bottom plan view thereof;
 FIG. 18 is a perspective view thereof, showing the pool float in a partially opened position with exemplary pool noodles disposed therein;
 FIG. 19 is a detail view thereof; and
 FIG. 20 is a cross-sectional view taken along 20-20 of FIG. 16.

The broken lines in the figures illustrate portions of the pool float that form no part of the claimed design. The drawings contain symbolic breaks. The portion between break lines forms no part of the claimed design.

1 Claim, 16 Drawing Sheets



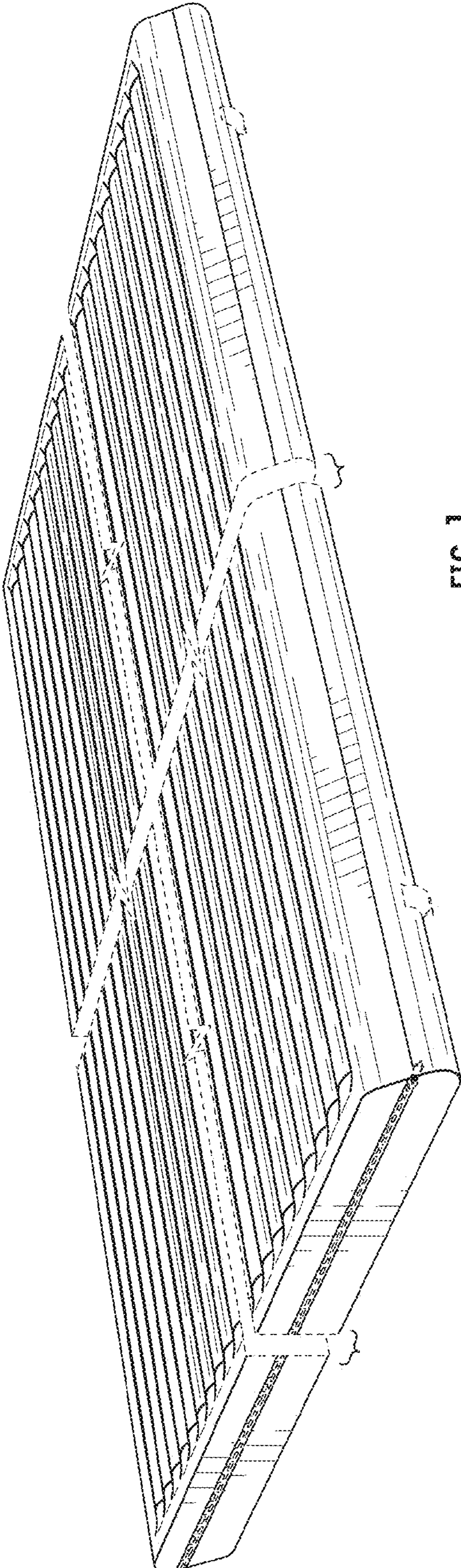


FIG. 1

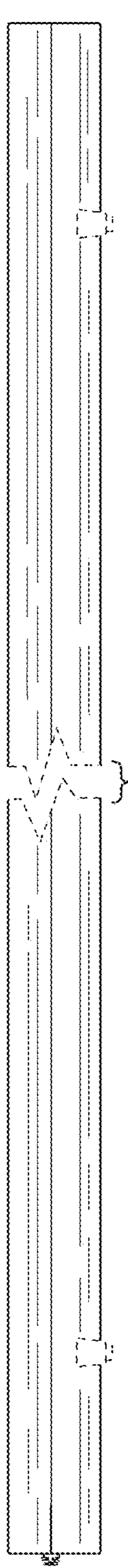


FIG. 2

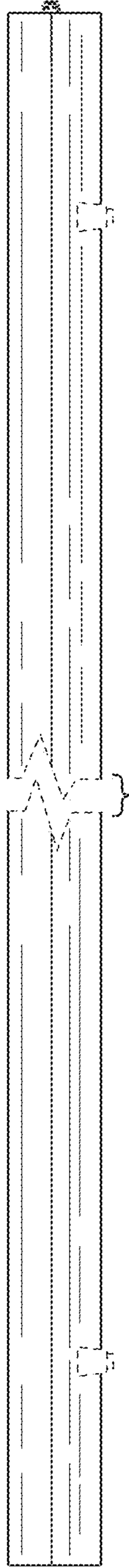


FIG. 3

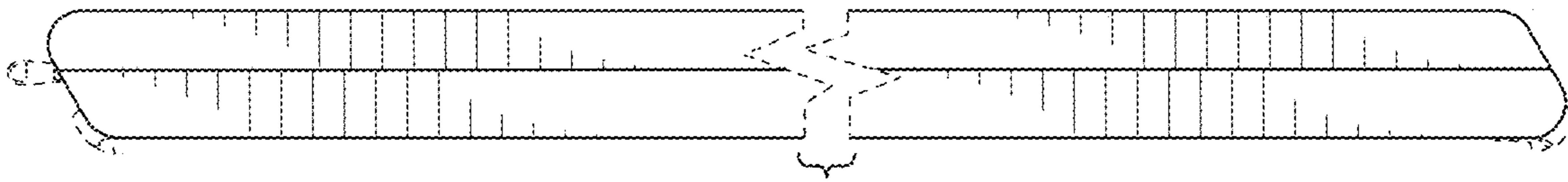


FIG. 4

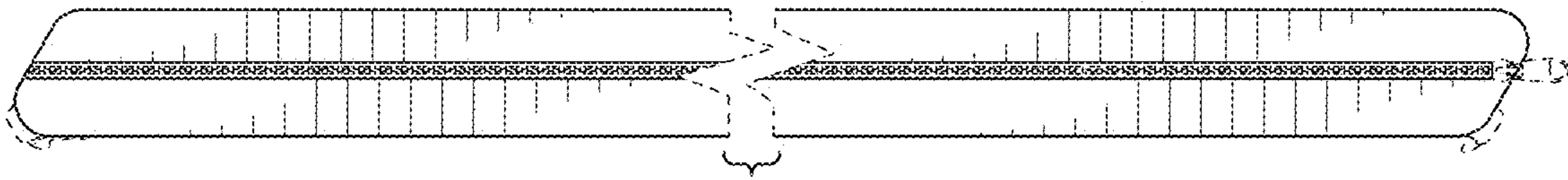


FIG. 5

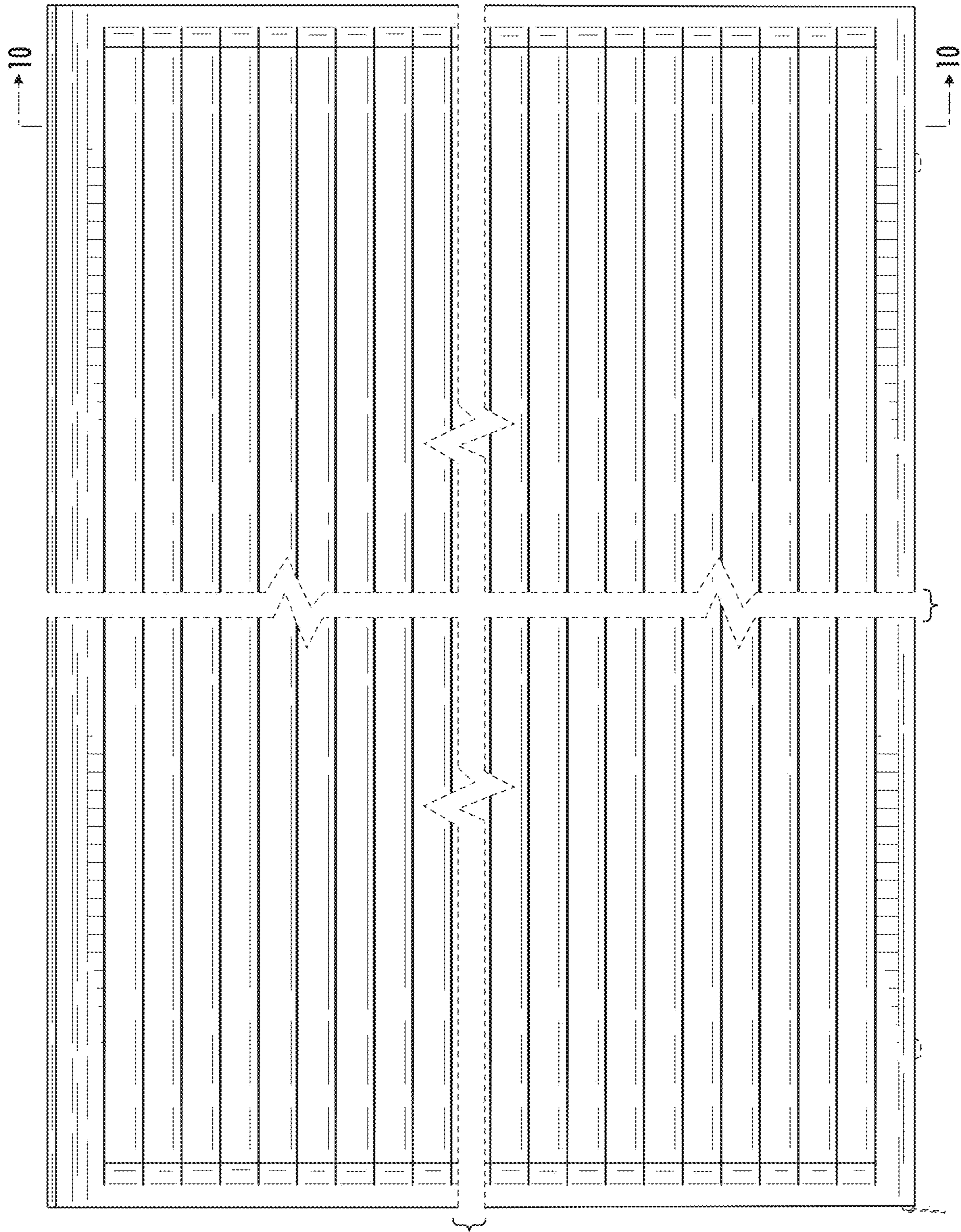


FIG. 6

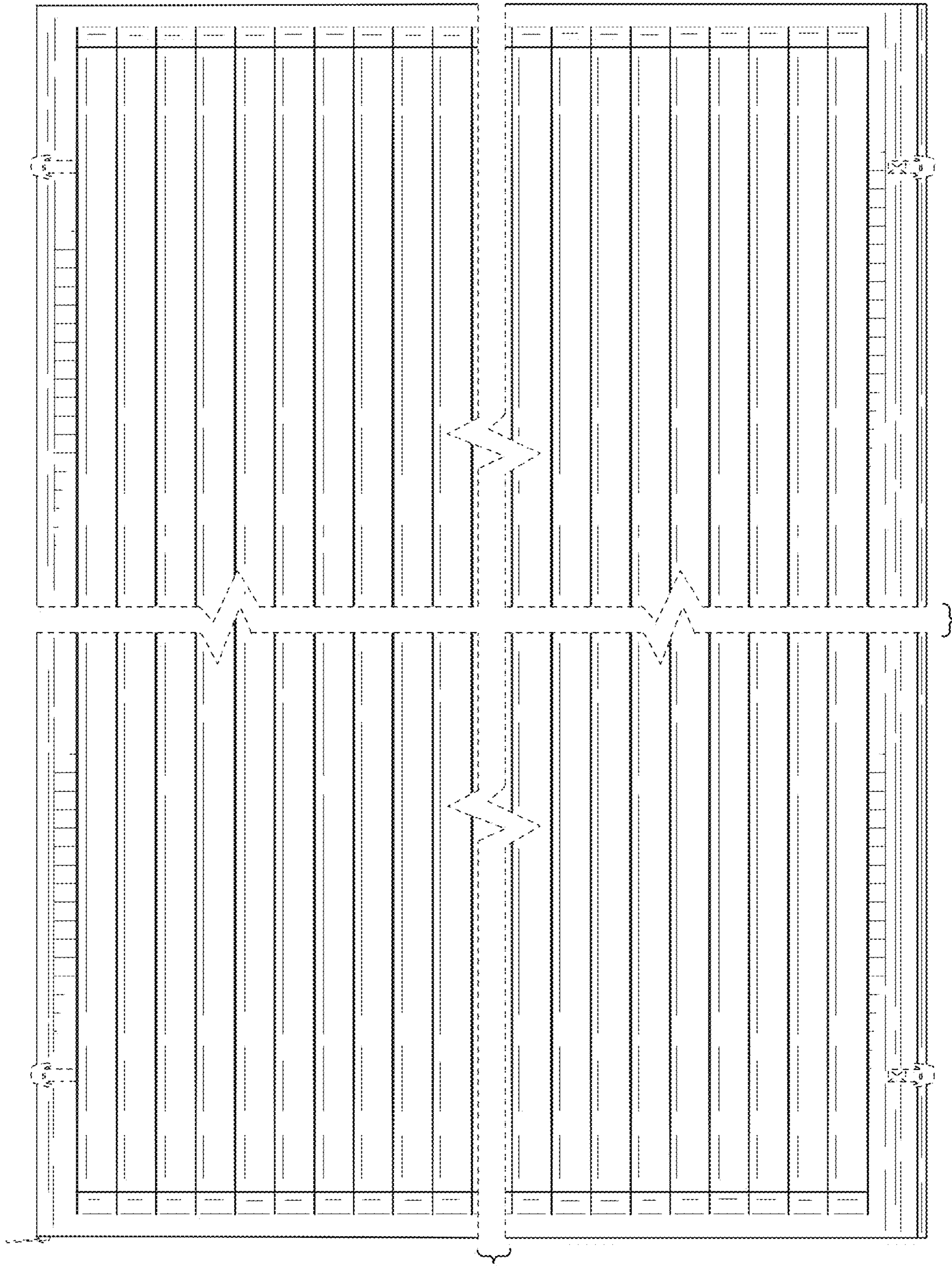


FIG. 7

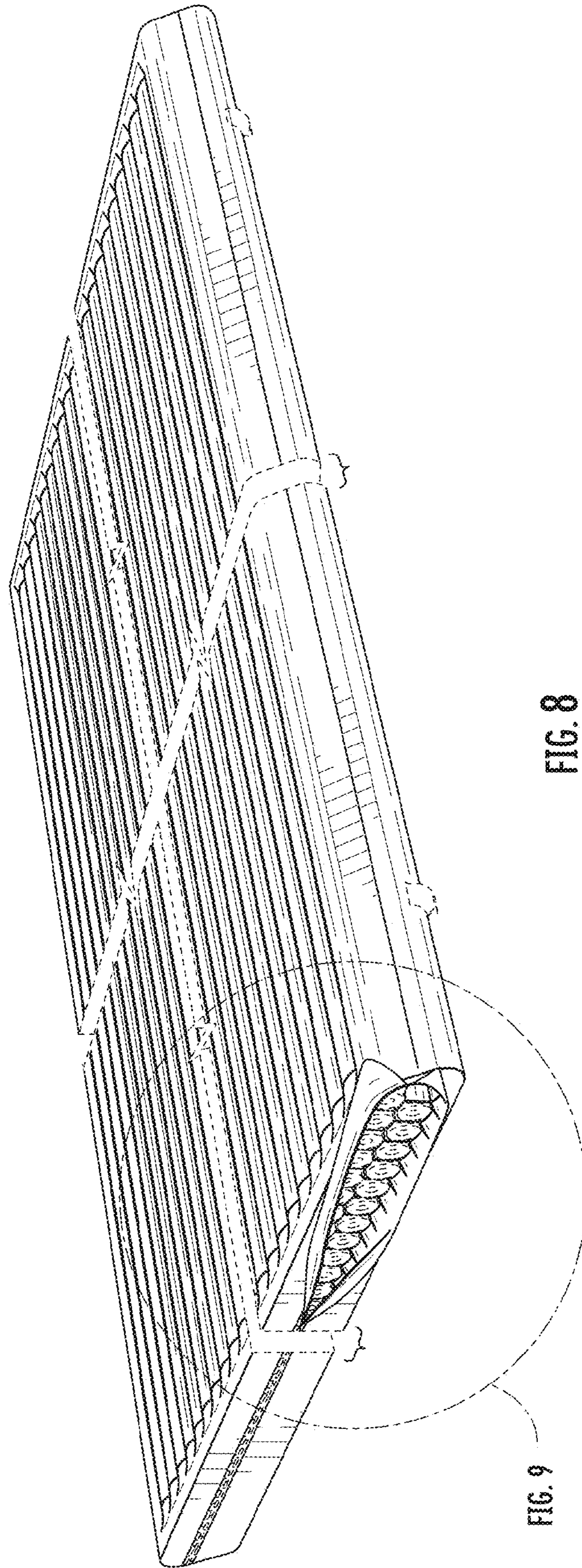


FIG. 8

FIG. 9

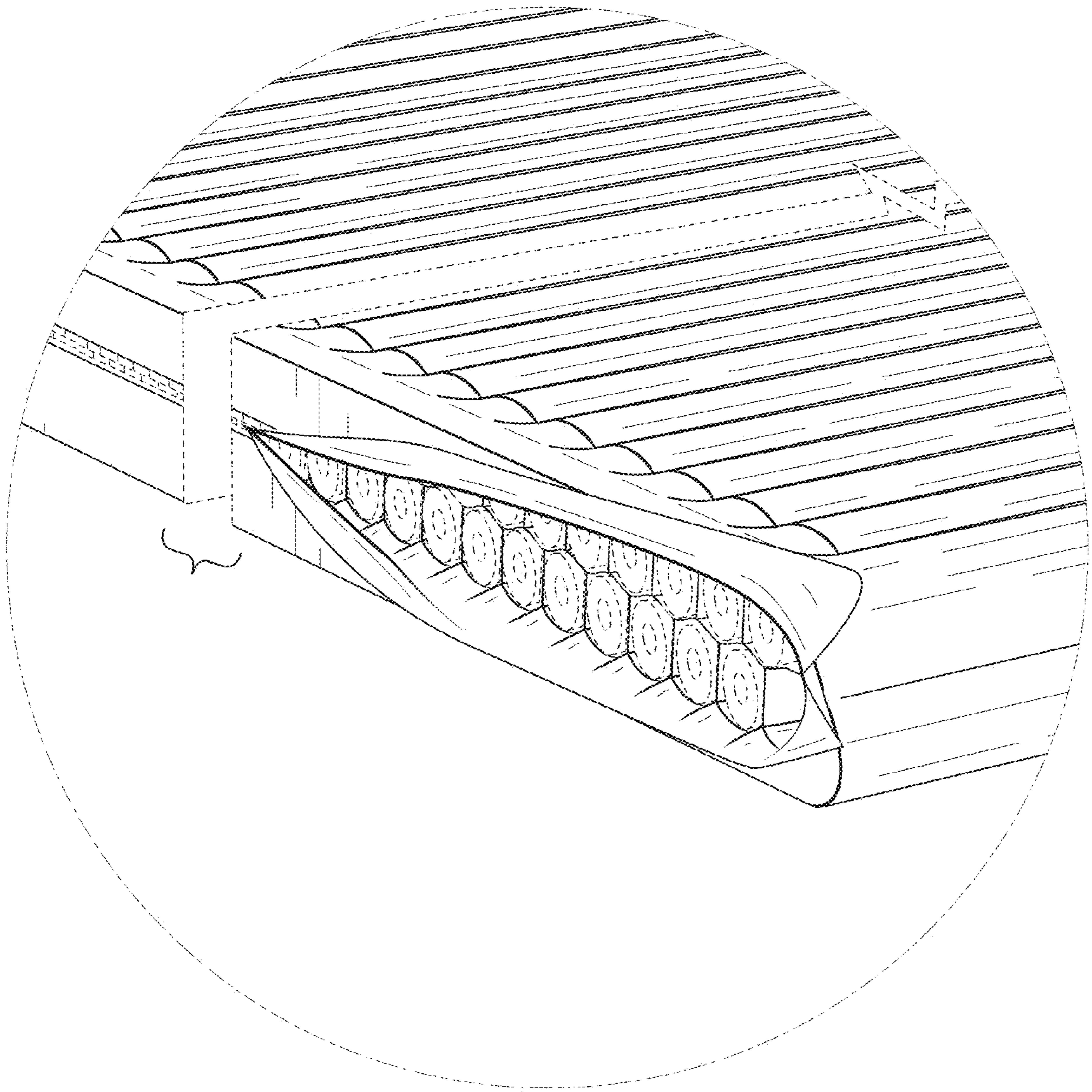


FIG. 9

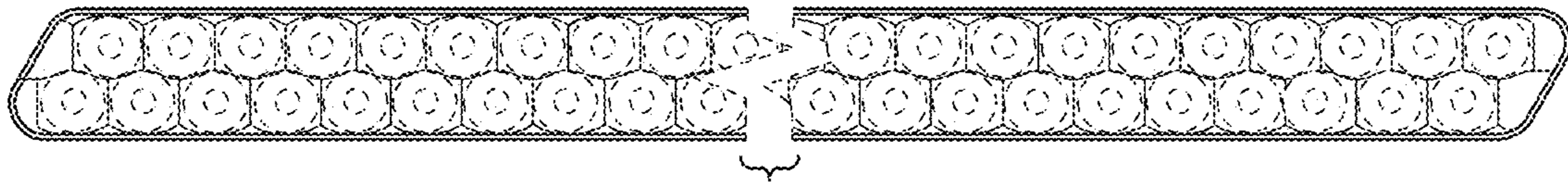


FIG. 10

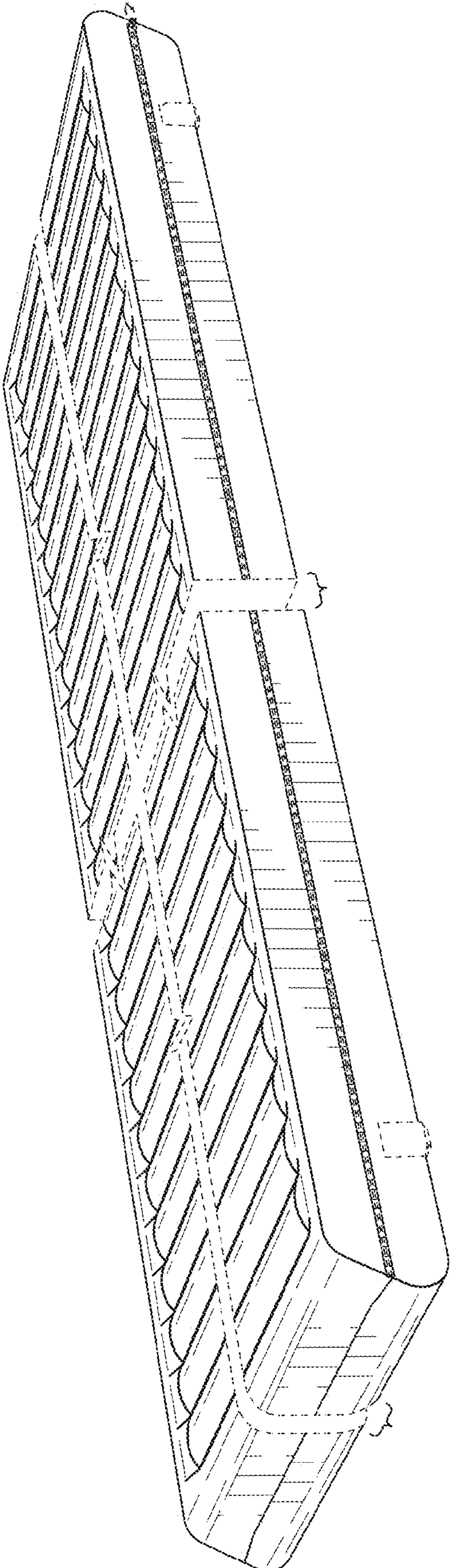


FIG. 11

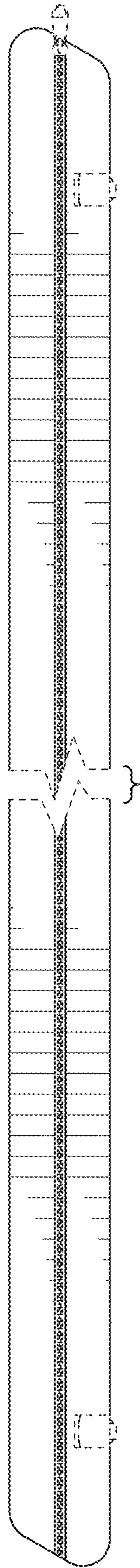


FIG. 12

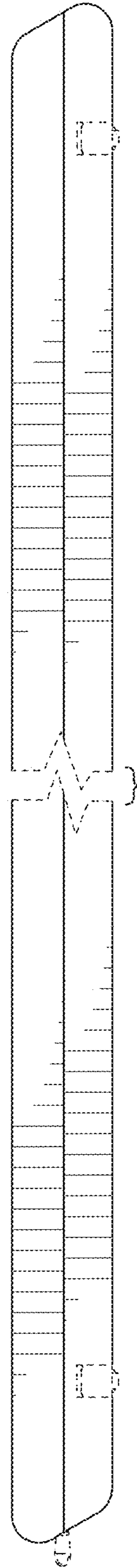


FIG. 13

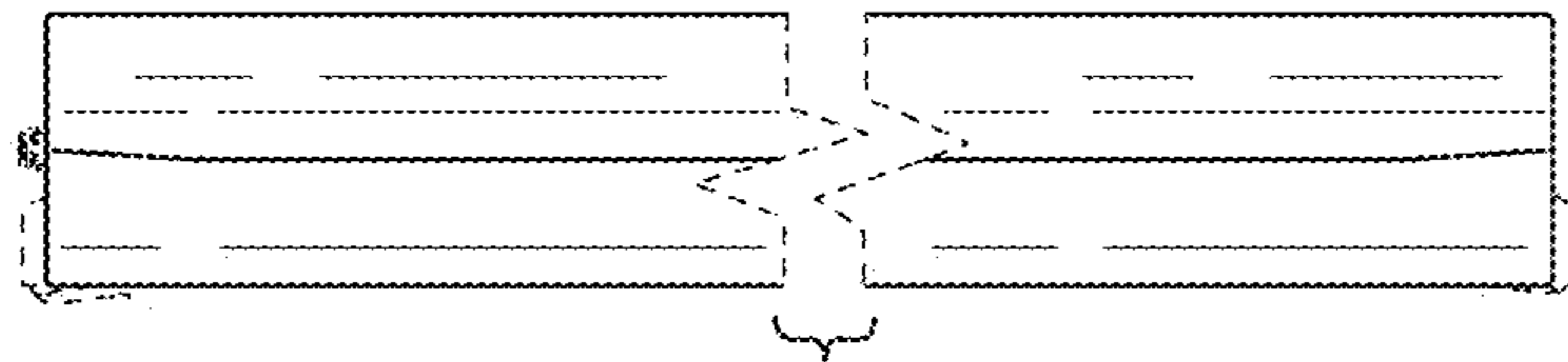


FIG. 14

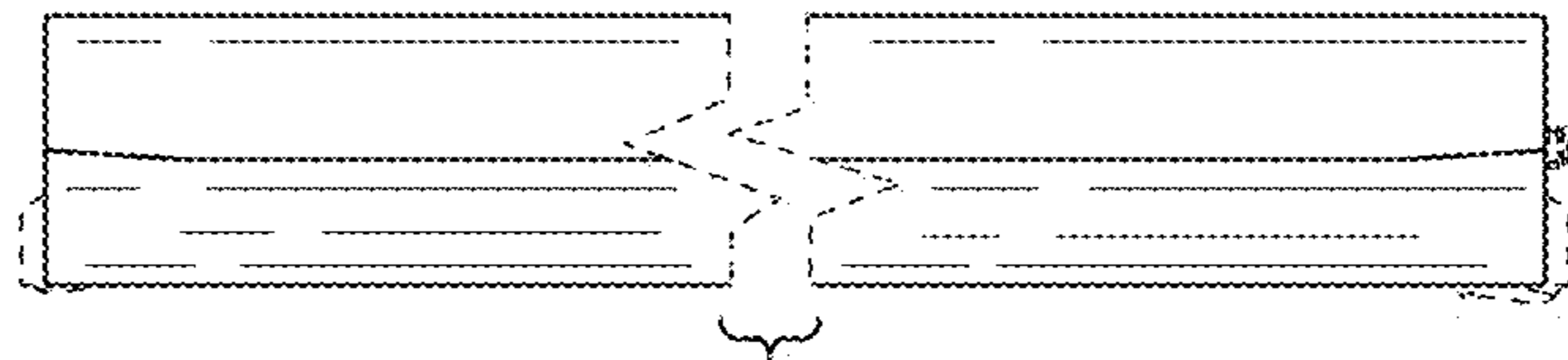


FIG. 15

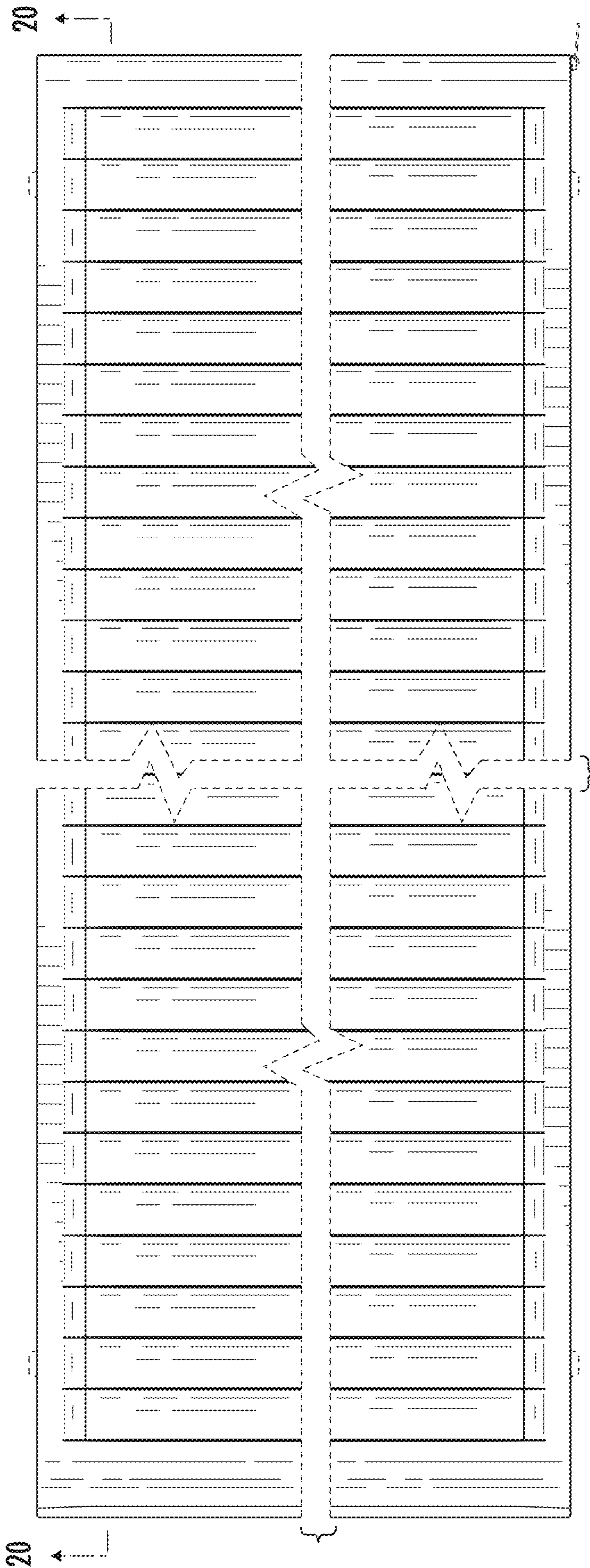


FIG. 16

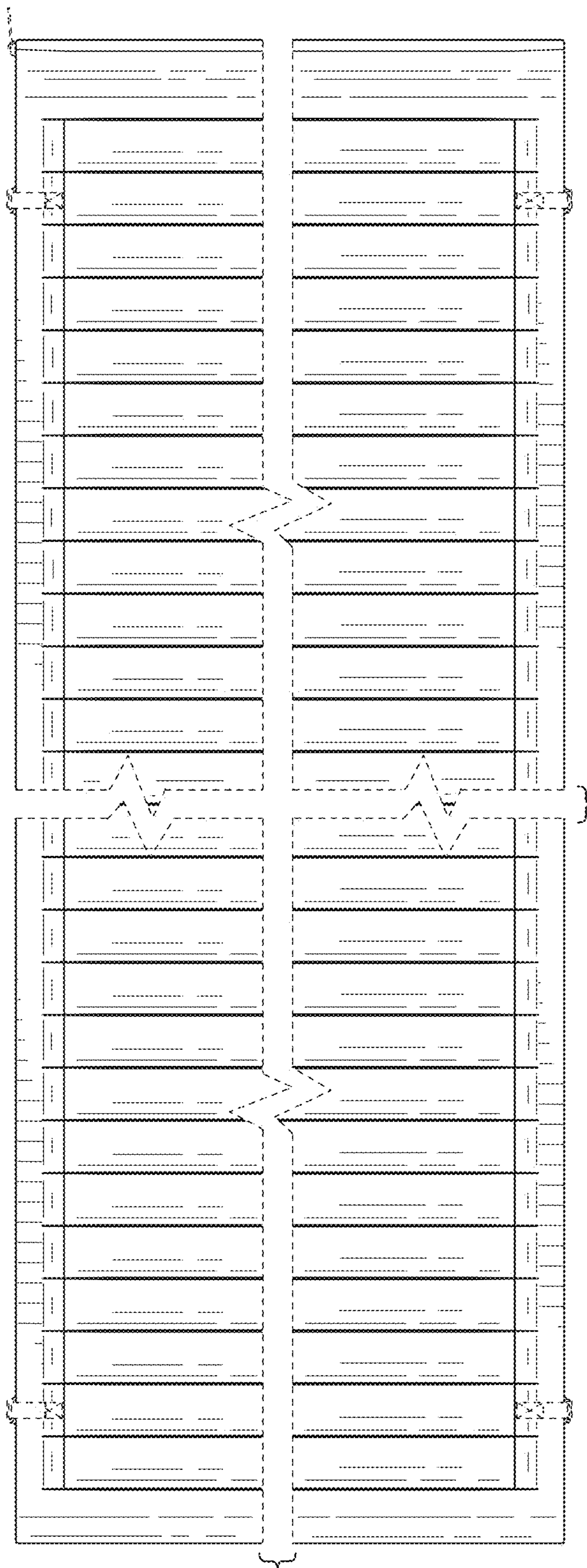


FIG. 17

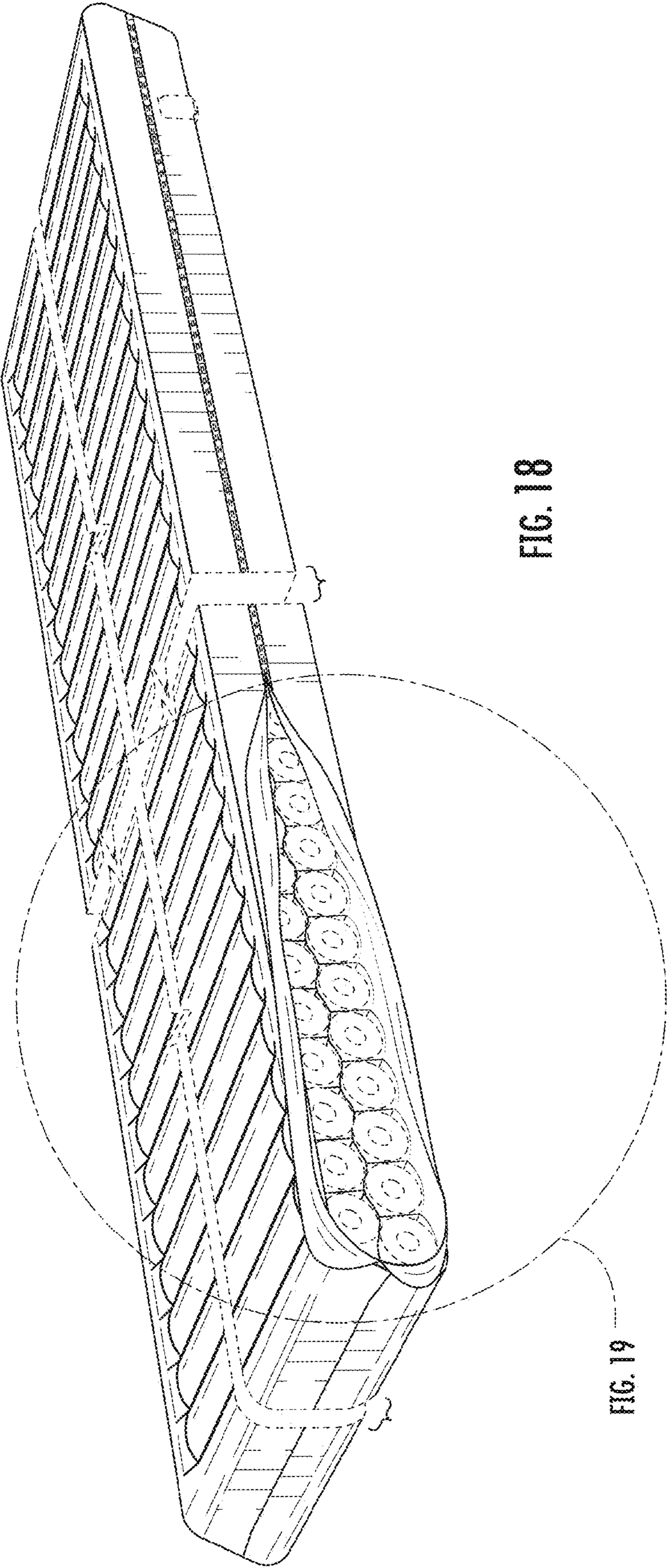


FIG. 18

FIG. 19

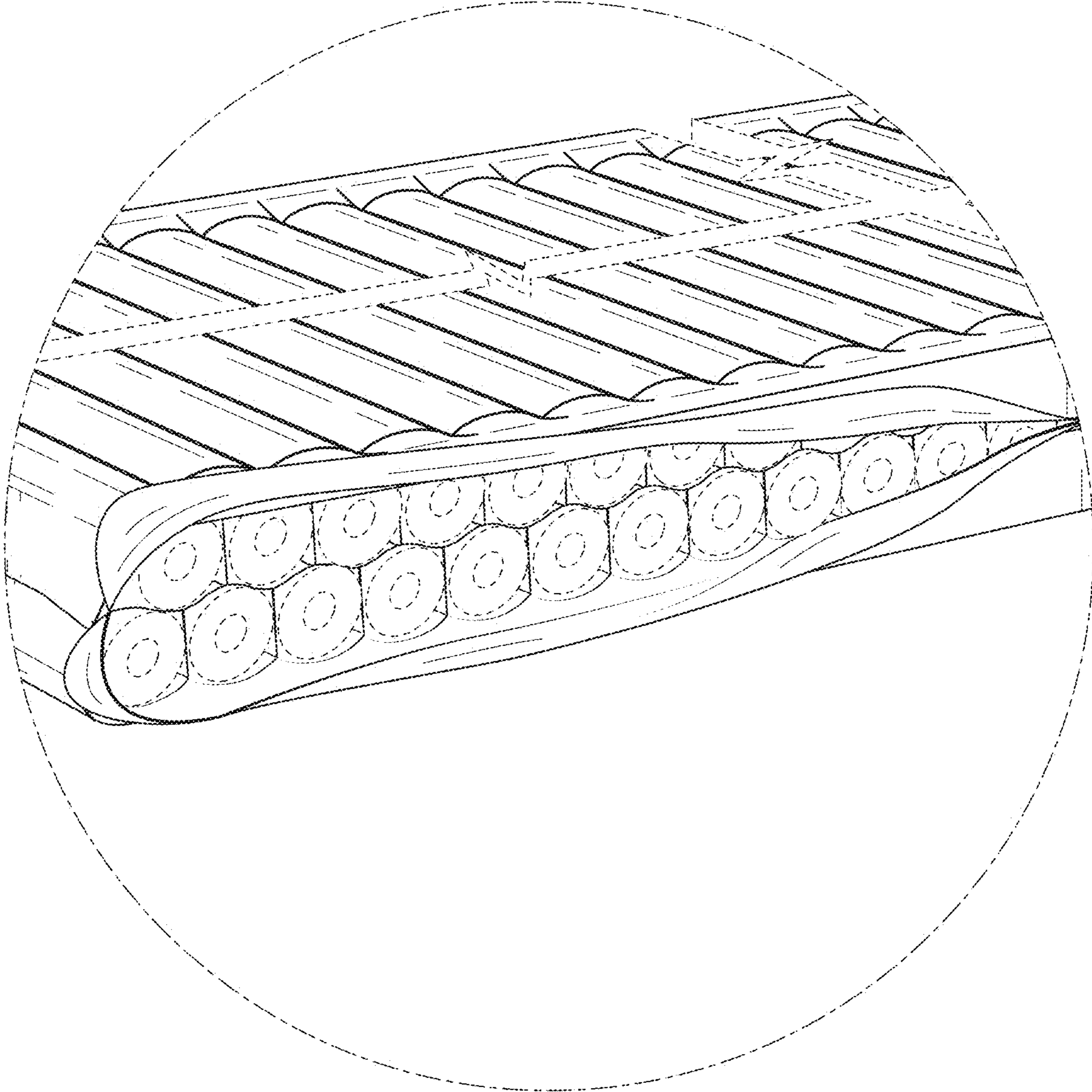


FIG. 19

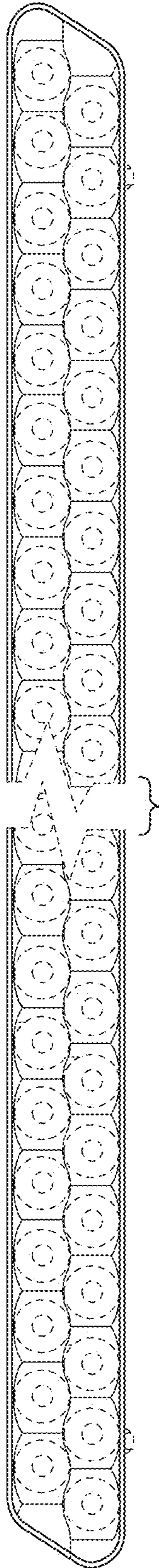


FIG. 20