

US00D926905S

(12) **United States Design Patent**
Zhang et al.

(10) **Patent No.:** **US D926,905 S**

(45) **Date of Patent:** **** Aug. 3, 2021**

(54) **INFLATABLE FLOATING BED**

(71) Applicant: **Shenzhen Xinaosheng outdoor products co. LTD, Shenzhen (CN)**

(72) Inventors: **Peng He Zhang, Shenzhen (CN); Wei Jun Tang, Shenzhen (CN)**

(**) Term: **15 Years**

(21) Appl. No.: **29/761,034**

(22) Filed: **Dec. 7, 2020**

(51) **LOC (13) Cl.** **21-02**

(52) **U.S. Cl.**
USPC **D21/803**

(58) **Field of Classification Search**
USPC D21/801, 803, 808, 809; D6/595, 596, D6/597, 598, 601
CPC B63B 32/20; B63B 32/22; B63B 32/51; B63B 32/54; B63B 35/58; B63B 35/607; B63B 35/613; B63B 35/62
See application file for complete search history.

(56) **References Cited**

U.S. PATENT DOCUMENTS

D481,435 S	*	10/2003	Zheng	D21/803
D481,436 S	*	10/2003	Peterson	D21/803
D481,437 S	*	10/2003	Peterson	D21/803
D483,088 S	*	12/2003	Zheng	D21/803

D490,493 S	*	5/2004	Peterson	D21/803
D491,994 S	*	6/2004	Peterson	D21/803
D492,380 S	*	6/2004	Zheng	D21/803
D702,789 S	*	4/2014	Berenson	D21/803
D816,179 S	*	4/2018	de Grasse	D21/803
D856,712 S		8/2019	Xiao		
D859,557 S	*	9/2019	Gershon	D21/803
D891,558 S		7/2020	Zhang et al.		
D899,821 S		10/2020	Lau		

* cited by examiner

Primary Examiner — **Zenia I Bennett**

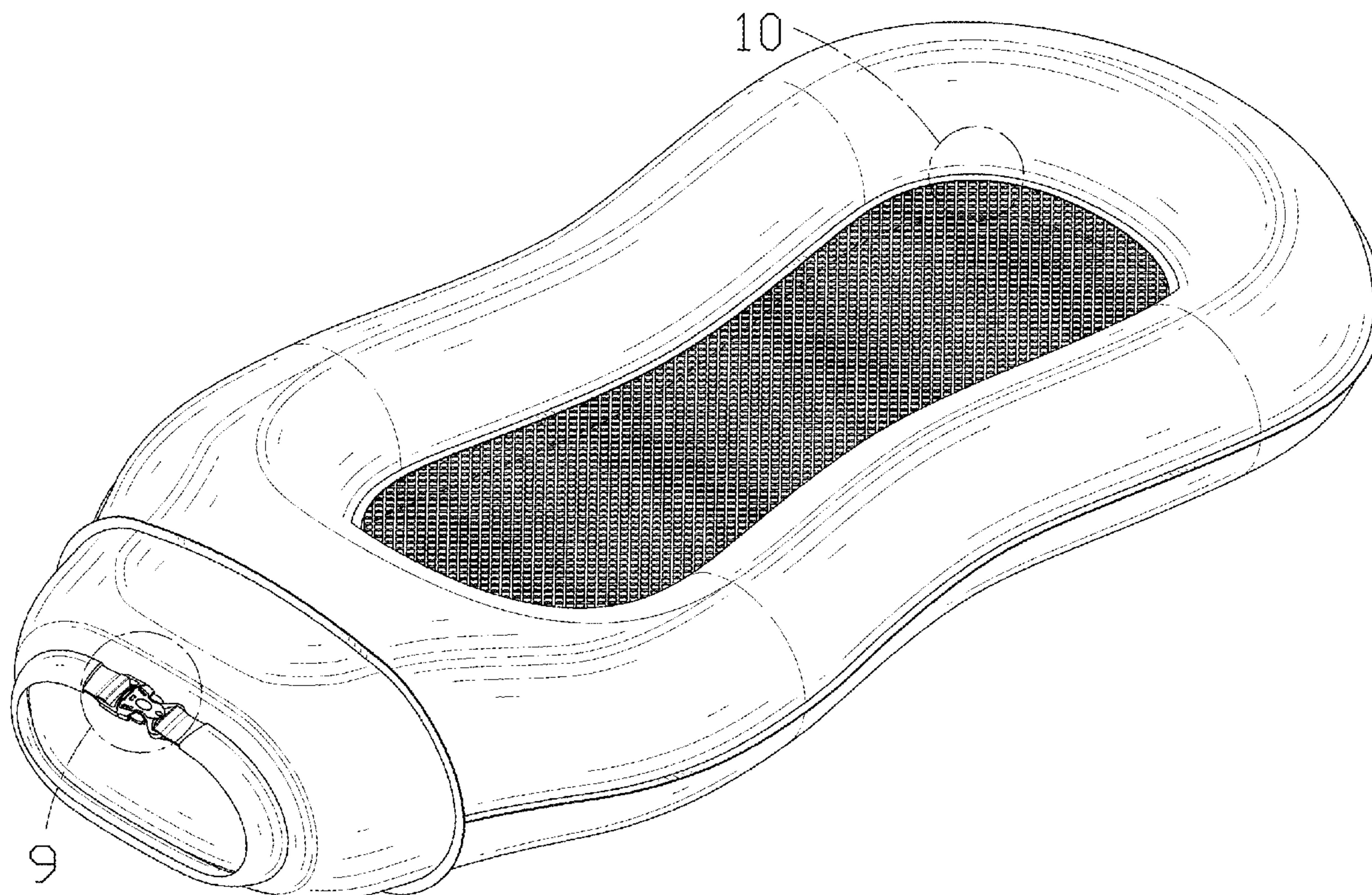
(57) **CLAIM**

The ornamental design for an inflatable floating bed, as shown and described.

DESCRIPTION

FIG. 1 is a first perspective view of an inflatable floating bed showing my new design;
FIG. 2 is a second perspective view thereof;
FIG. 3 is a front view thereof;
FIG. 4 is a back view thereof;
FIG. 5 is a left side view thereof;
FIG. 6 is a right side view thereof;
FIG. 7 is a top view thereof;
FIG. 8 is a bottom view thereof;
FIG. 9 is an enlarged view of the selected portion in FIG. 1;
FIG. 10 is an enlarged view of the selected portion in FIG. 1; and,
FIG. 11 is an enlarged view of the selected portion in FIG. 1.

1 Claim, 11 Drawing Sheets



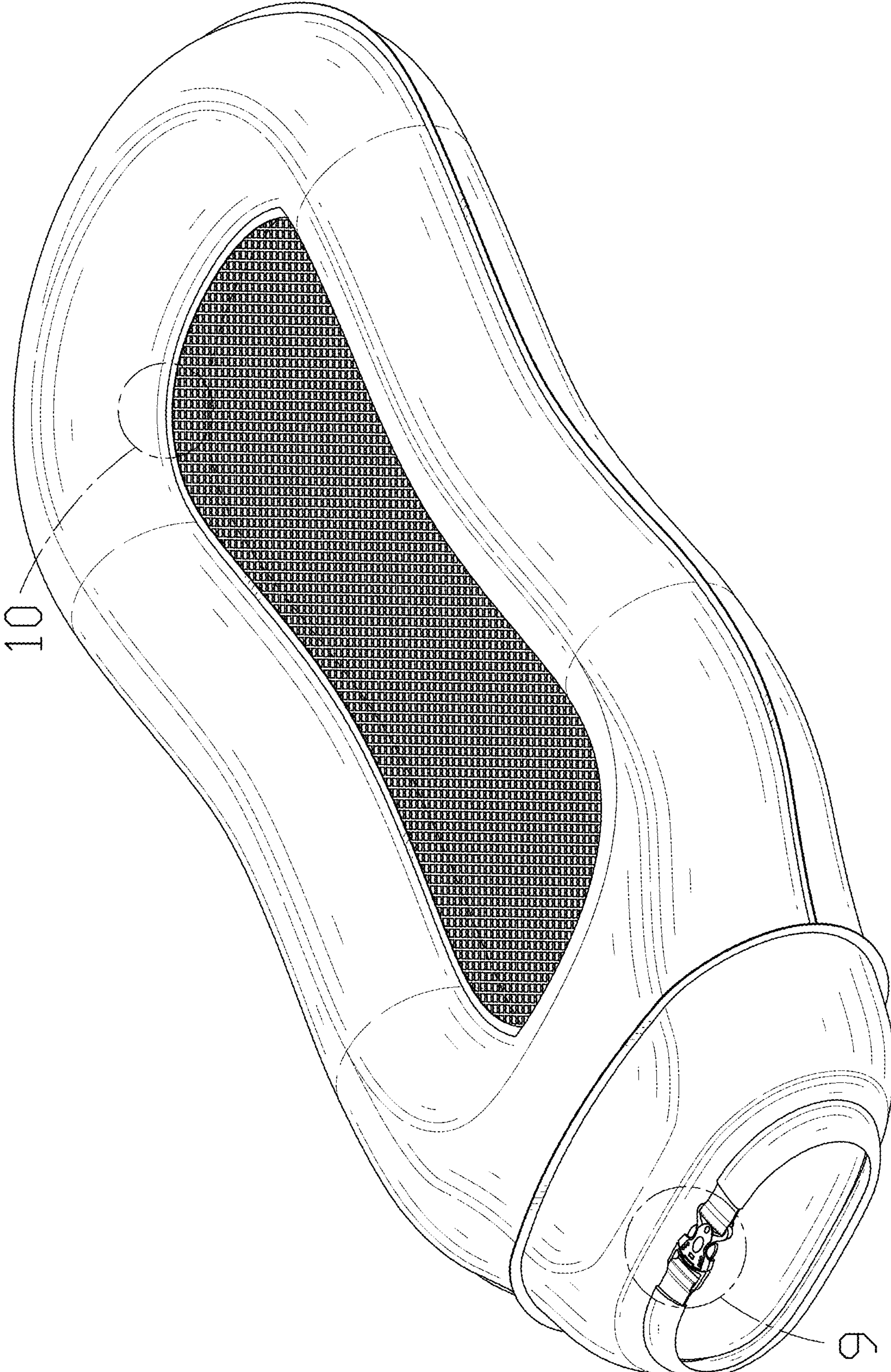


FIG. 1

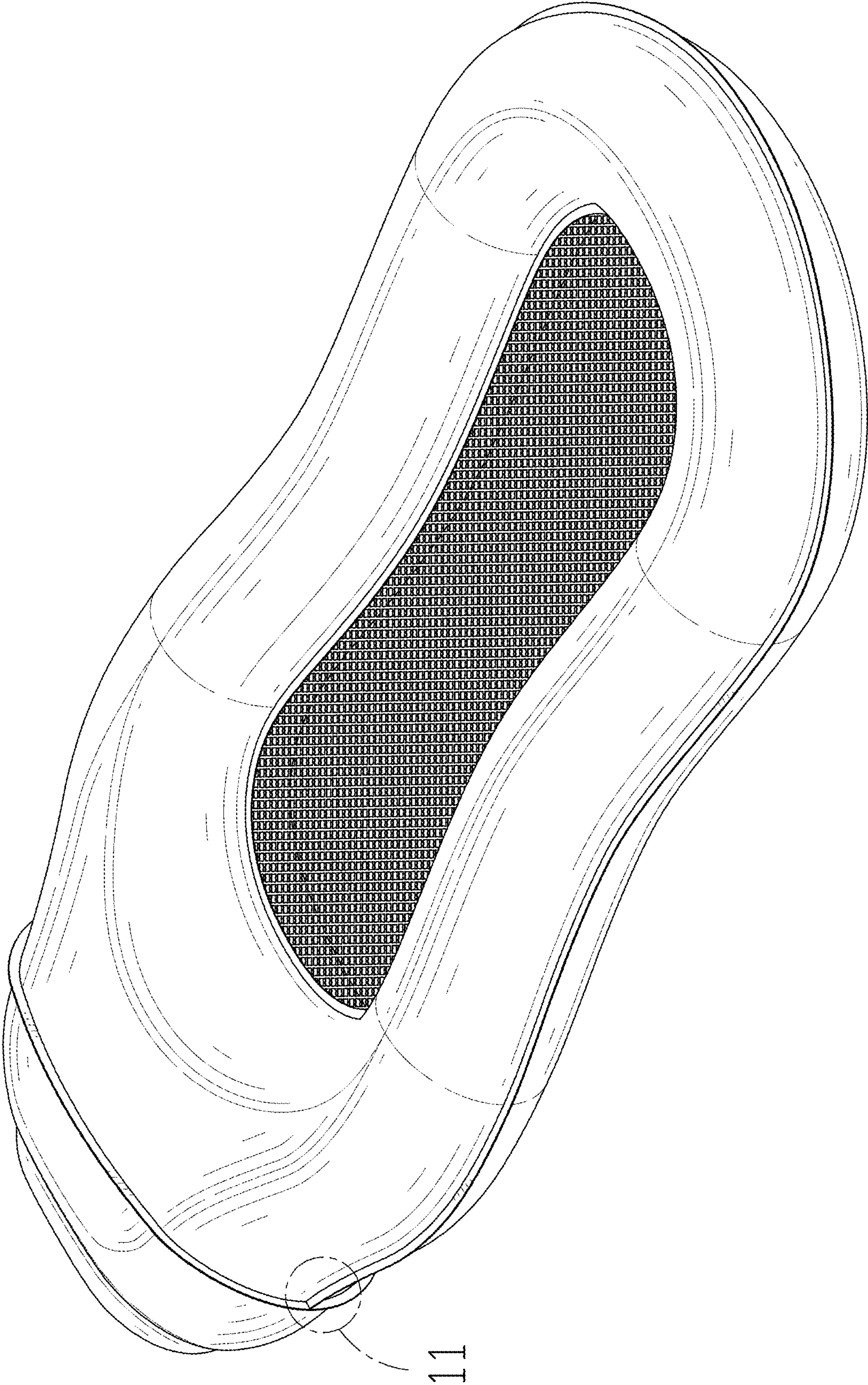


FIG. 2

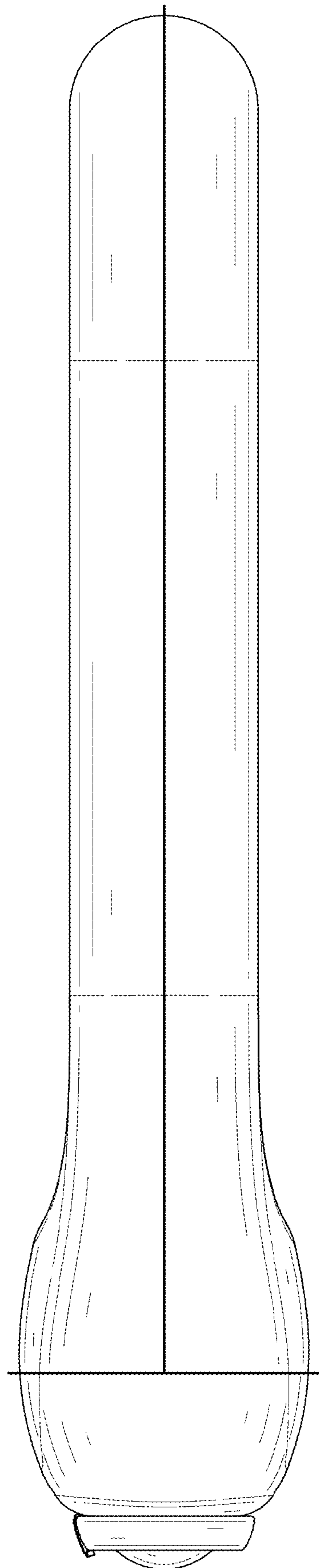


FIG. 3

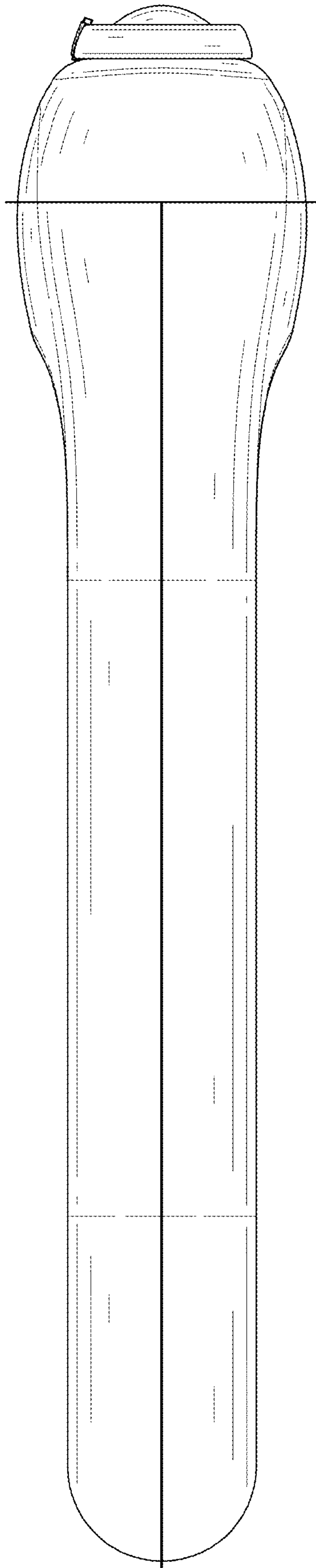


FIG. 4

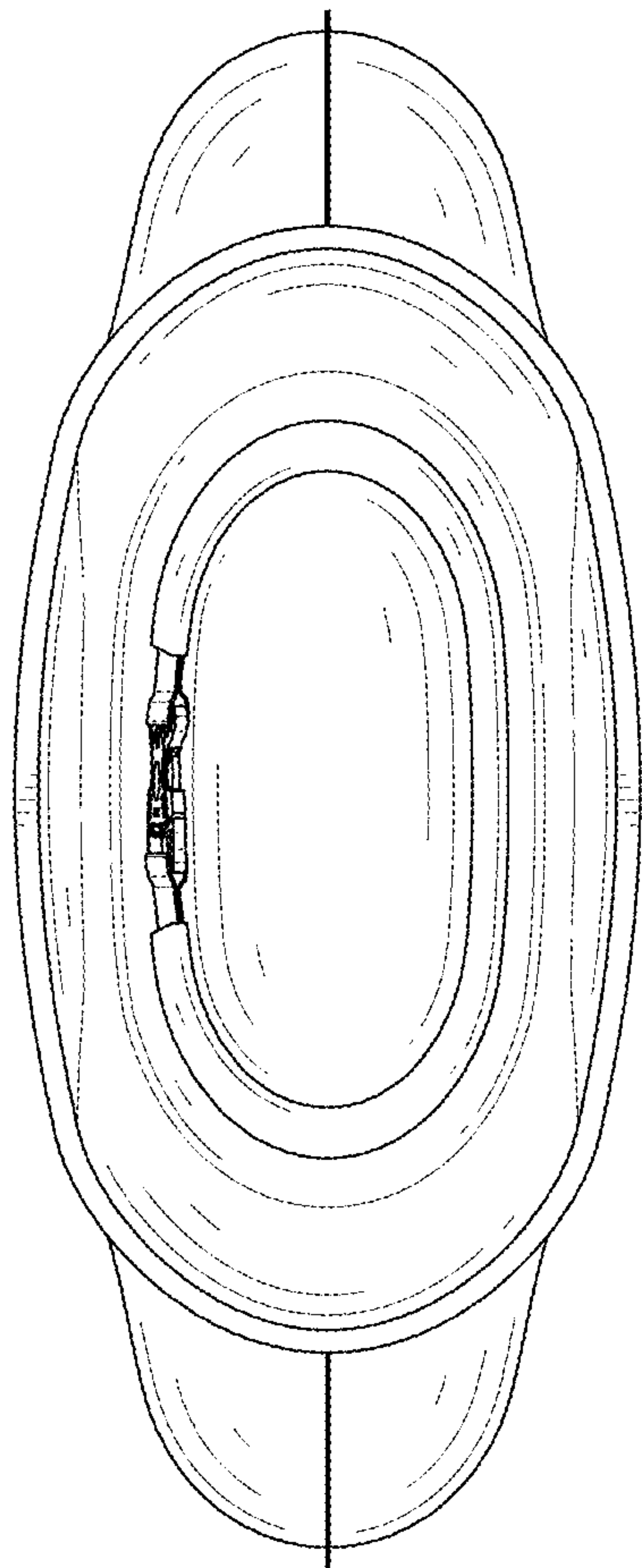


FIG. 5

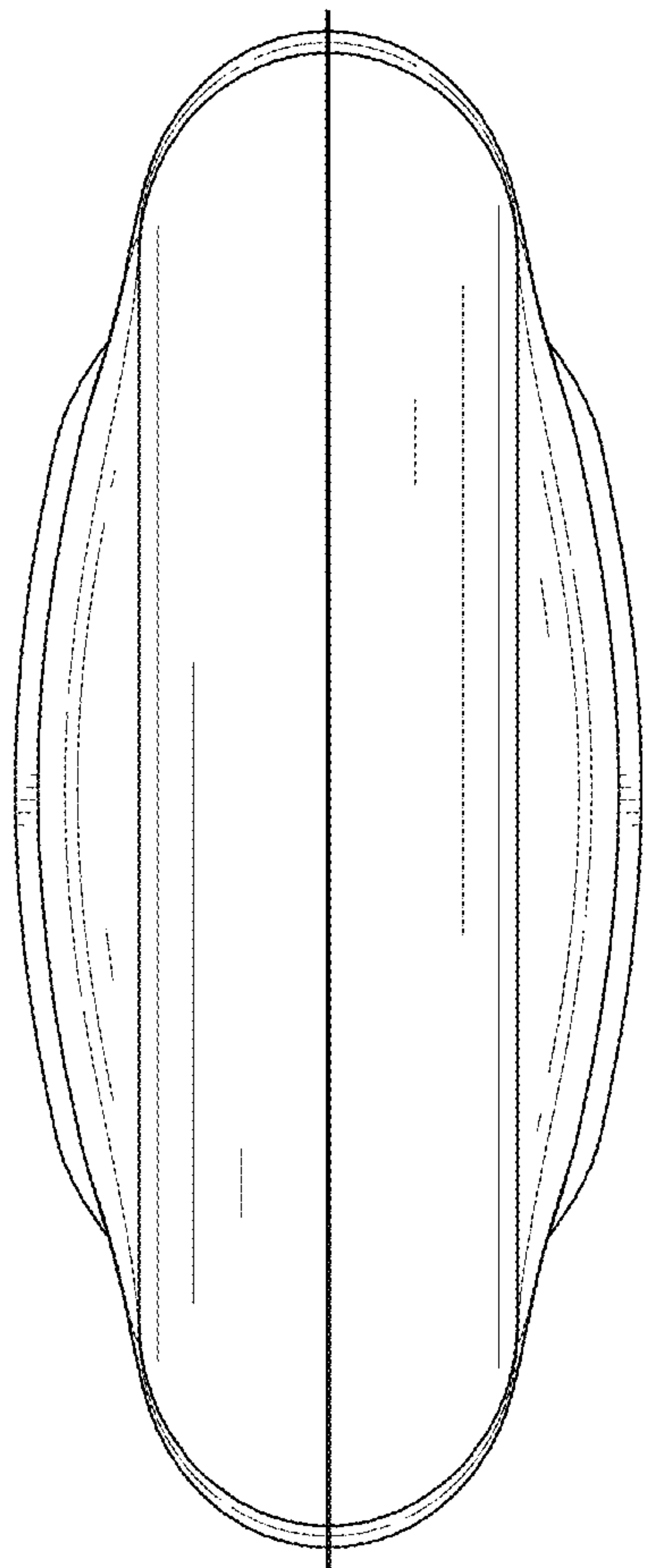


FIG. 6

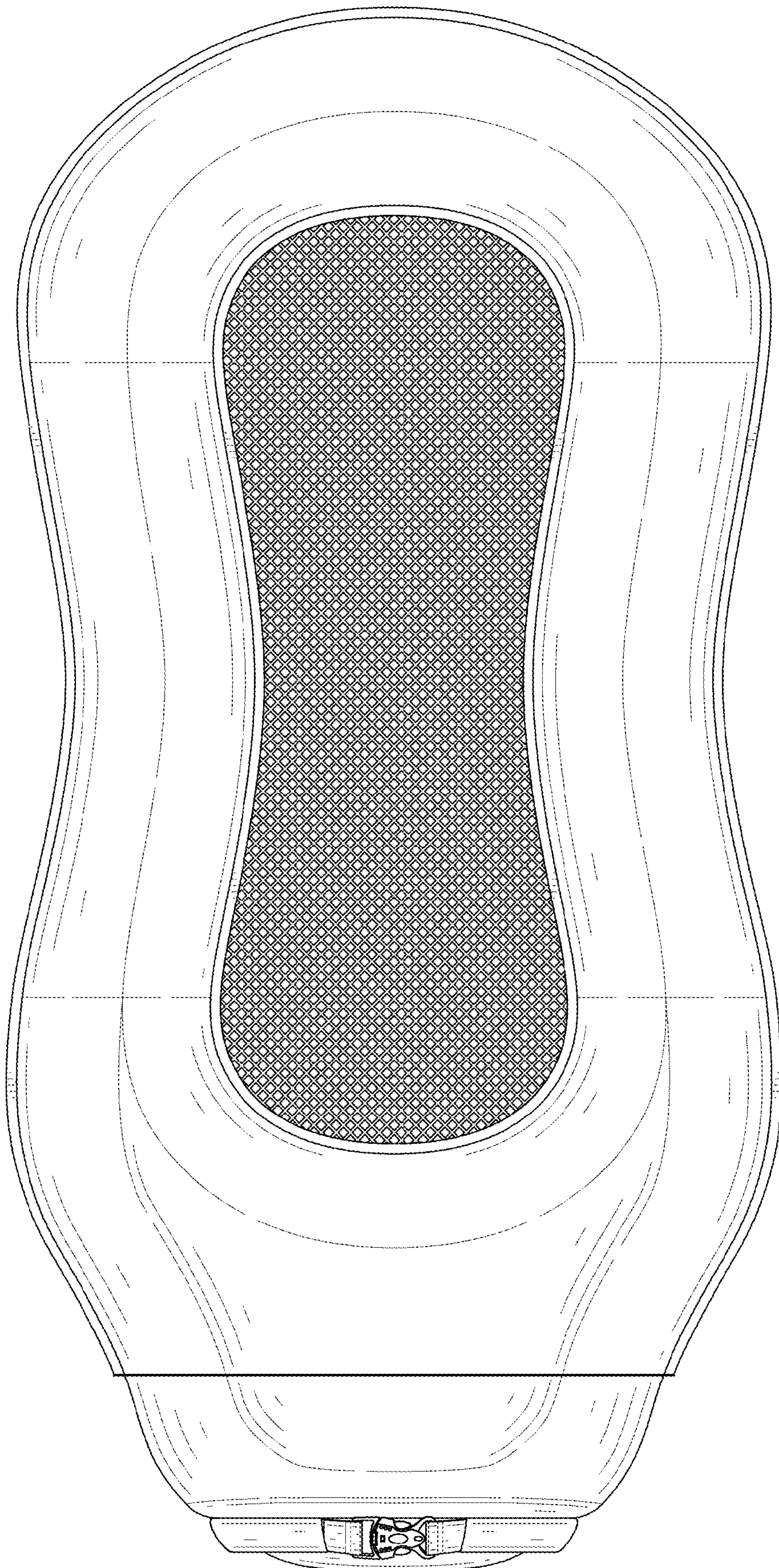


FIG. 7

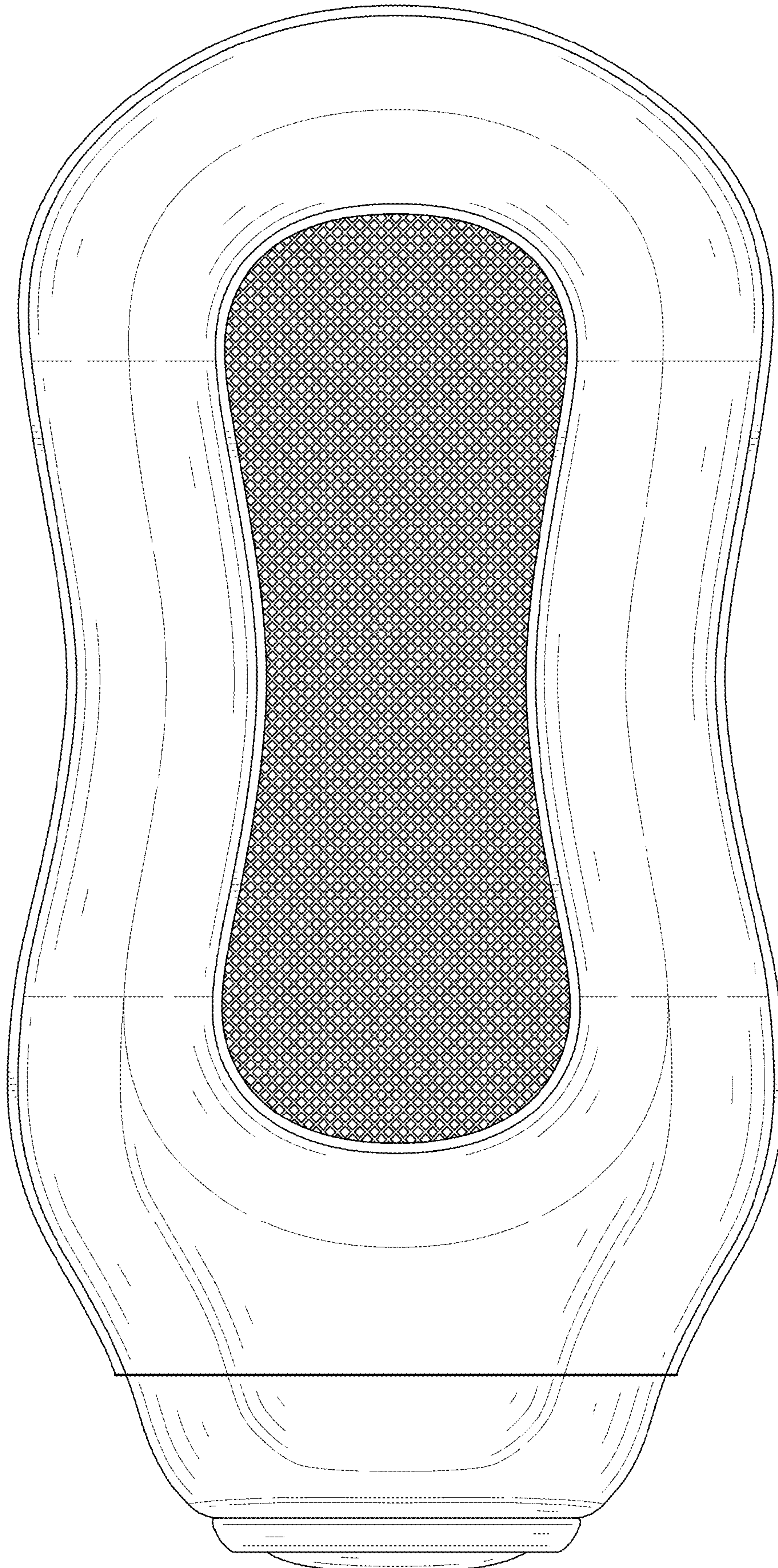


FIG. 8

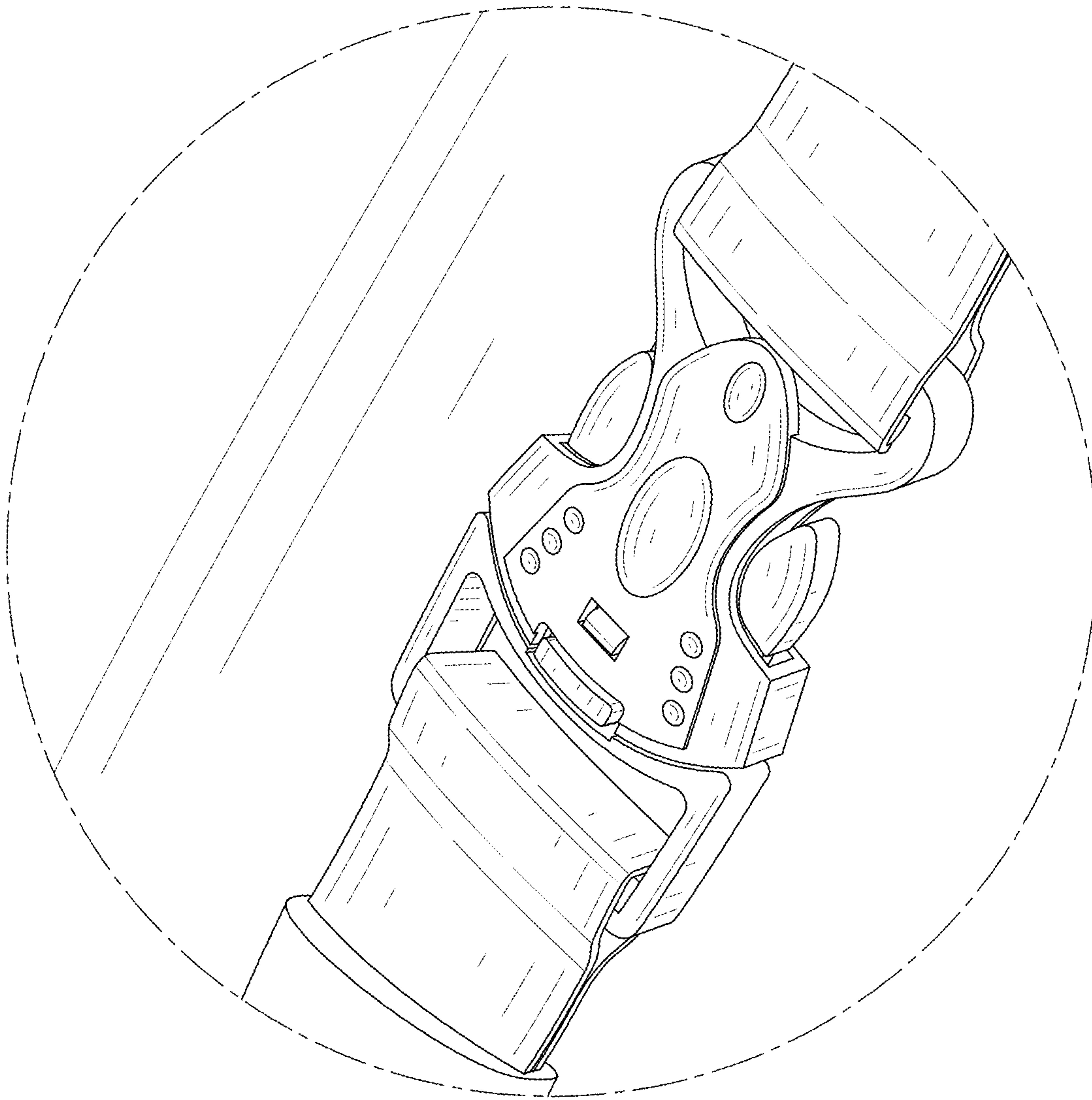


FIG. 9

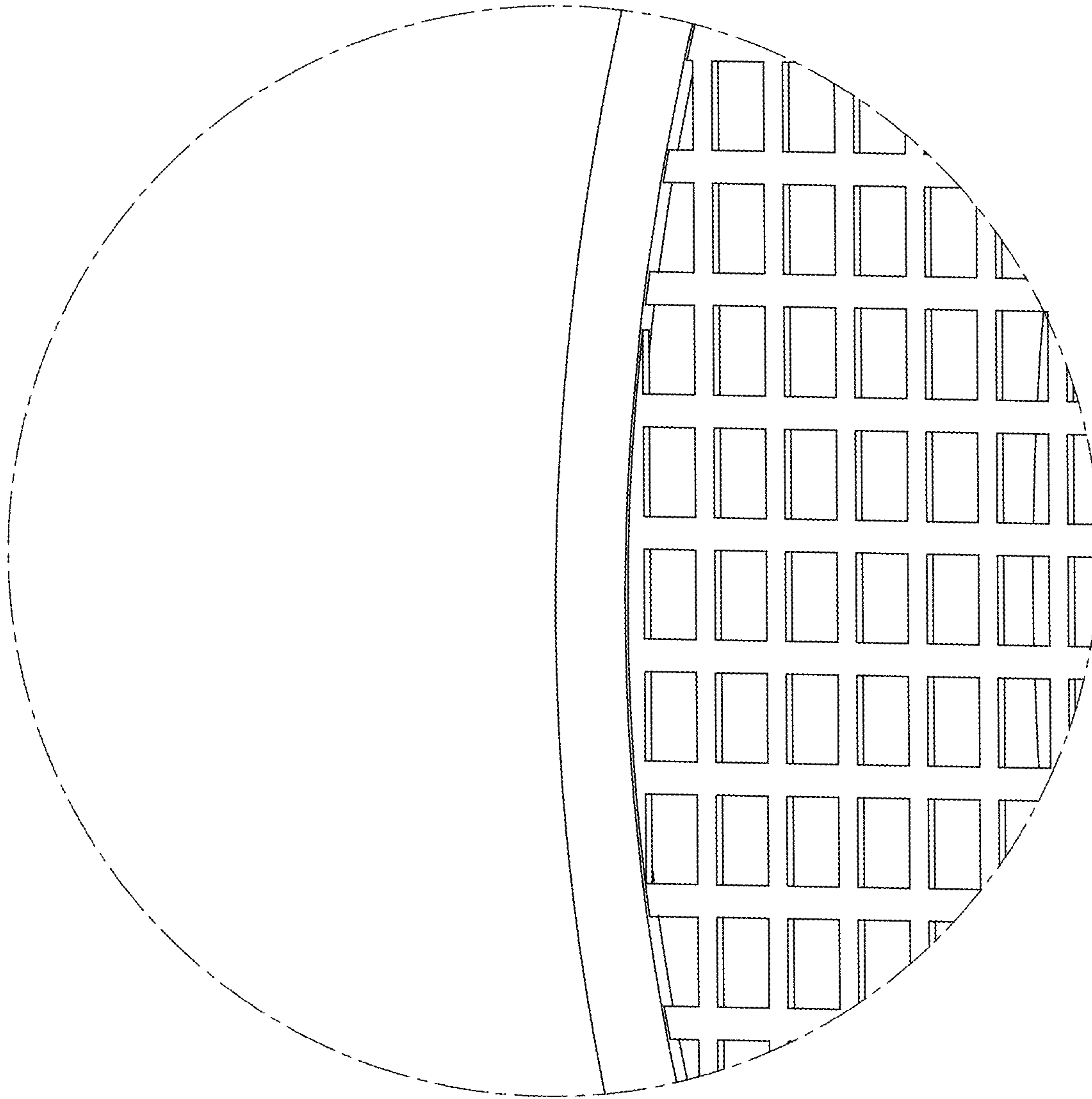


FIG. 10

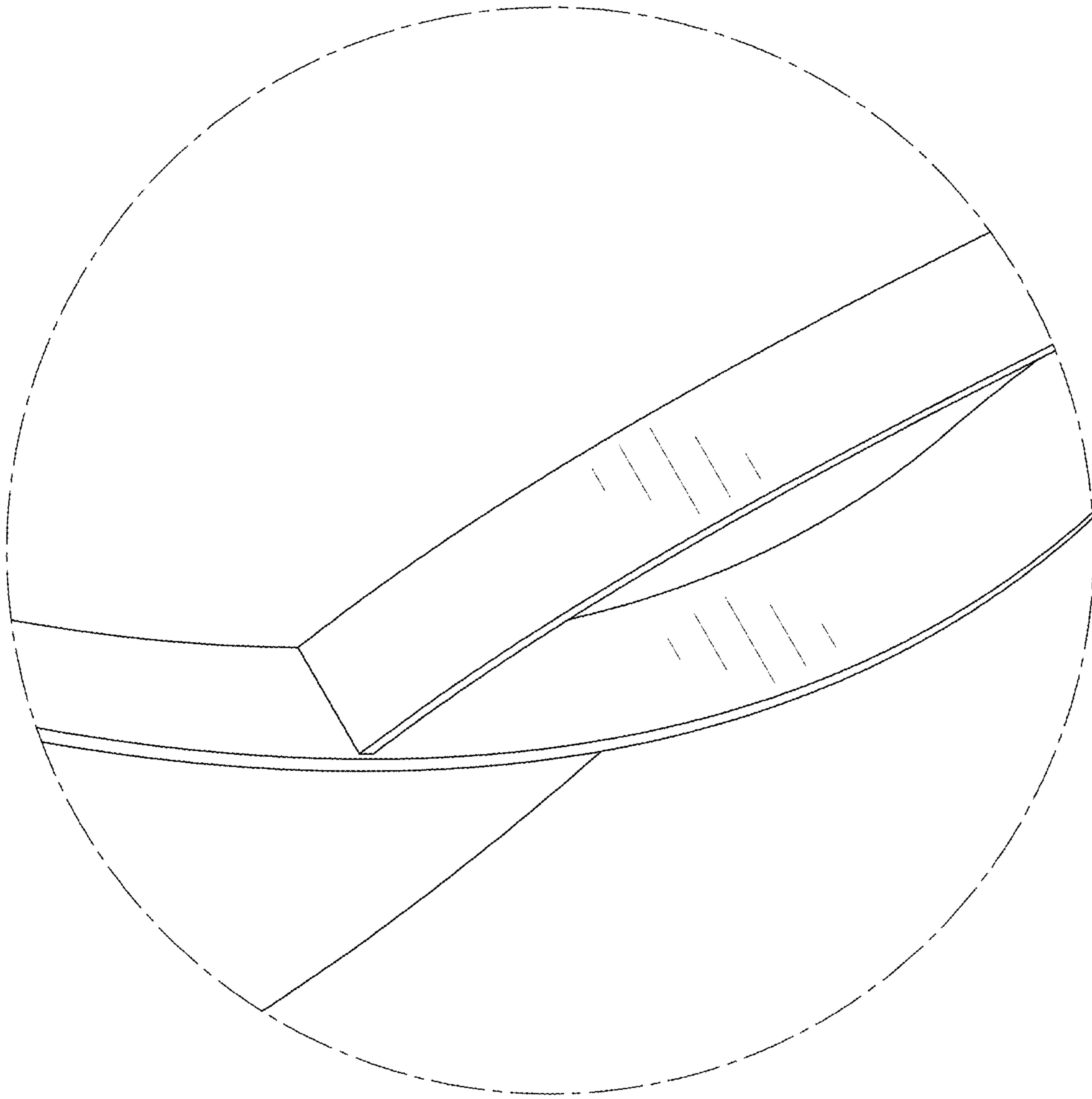


FIG. 11