



US00D926904S

(12) **United States Design Patent**
Peterson

(10) **Patent No.:** **US D926,904 S**

(45) **Date of Patent:** **** Aug. 3, 2021**

(54) **INFLATABLE TOWABLE VEHICLE**

D777,281 S * 1/2017 Peterson D21/803

D870,224 S * 12/2019 Arias A47D 1/00

(71) Applicant: **SDS Asia Limited, BVI #1748971,**
Hong Kong (CN)

D21/803

D888,178 S * 6/2020 Peterson D21/803

(72) Inventor: **Leroy L. Peterson,** Omaha, NE (US)

* cited by examiner

(73) Assignee: **SDS Asia Limited, BVI #1748971,**
Central Hong Kong (CN)

Primary Examiner — Michael C Stout

Assistant Examiner — Katrina N Gonzalez

(74) *Attorney, Agent, or Firm* — Suiter Swantz pc llo

(**) Term: **15 Years**

(21) Appl. No.: **29/701,292**

(57) **CLAIM**

(22) Filed: **Aug. 9, 2019**

The ornamental design for an inflatable towable vehicle, as shown and described.

(51) **LOC (13) Cl.** **21-02**

(52) **U.S. Cl.**
USPC **D21/803**

DESCRIPTION

(58) **Field of Classification Search**
USPC D21/416, 417, 419, 620, 801, 803, 804,
D21/808, 809, 810, 828; 441/35, 40, 41,
441/65, 66, 67, 72, 73, 74, 80, 87, 88,
441/129, 130, 131, 132, 136
CPC A63B 31/00
See application file for complete search history.

FIG. 1 is a perspective view showing our new design;
FIG. 2 is a top plan view thereof;
FIG. 3 is a front elevation view thereof;
FIG. 4 is a left side elevation view thereof
FIG. 5 is a rear elevation view thereof;
FIG. 6 is a right side elevation view thereof; and,
FIG. 7 is a bottom plan view thereof.

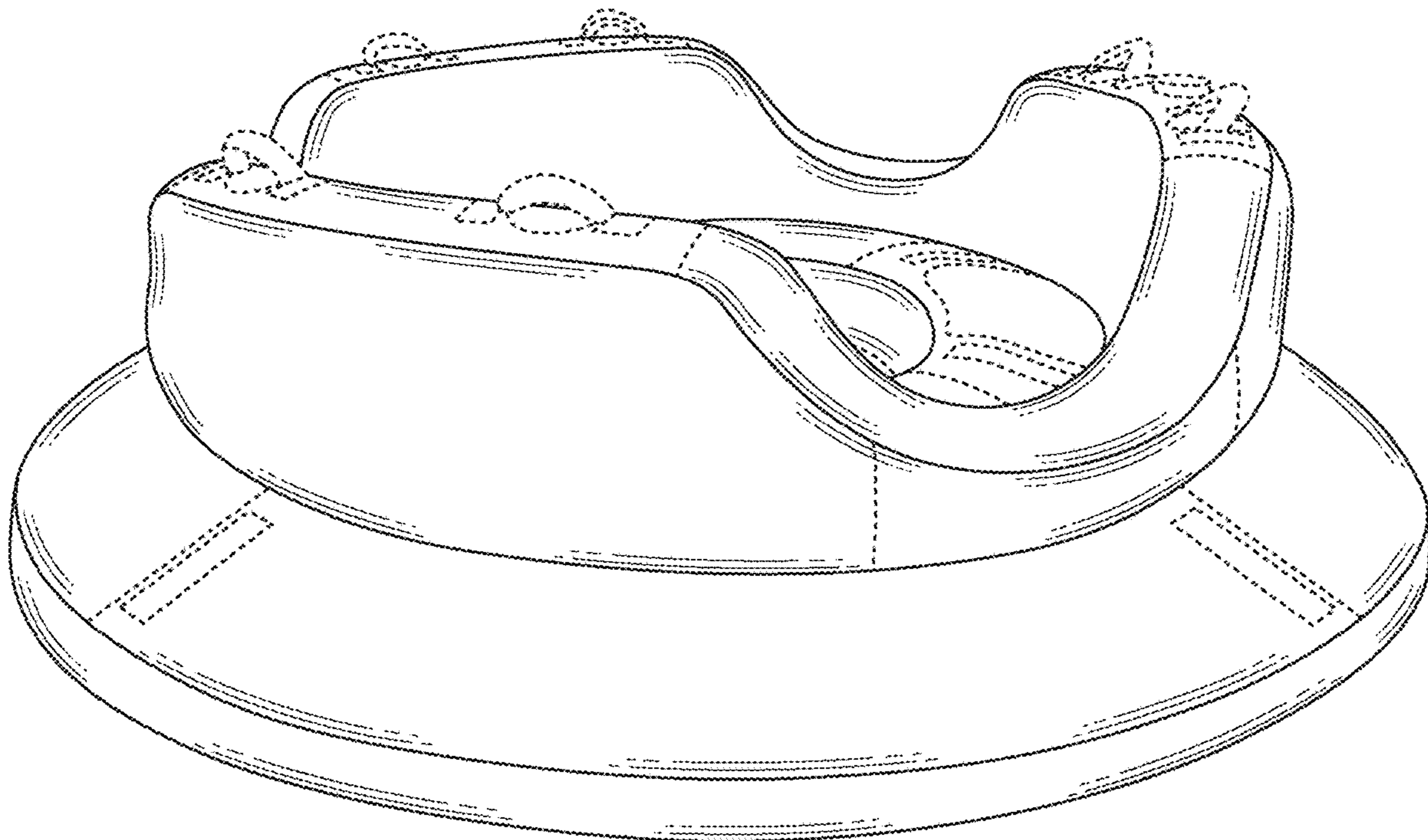
The broken lines illustrate stitching and portions of the inflatable towable vehicle that form no part of the claimed design.

(56) **References Cited**

U.S. PATENT DOCUMENTS

D390,619 S * 2/1998 Peterson D21/809

1 Claim, 7 Drawing Sheets



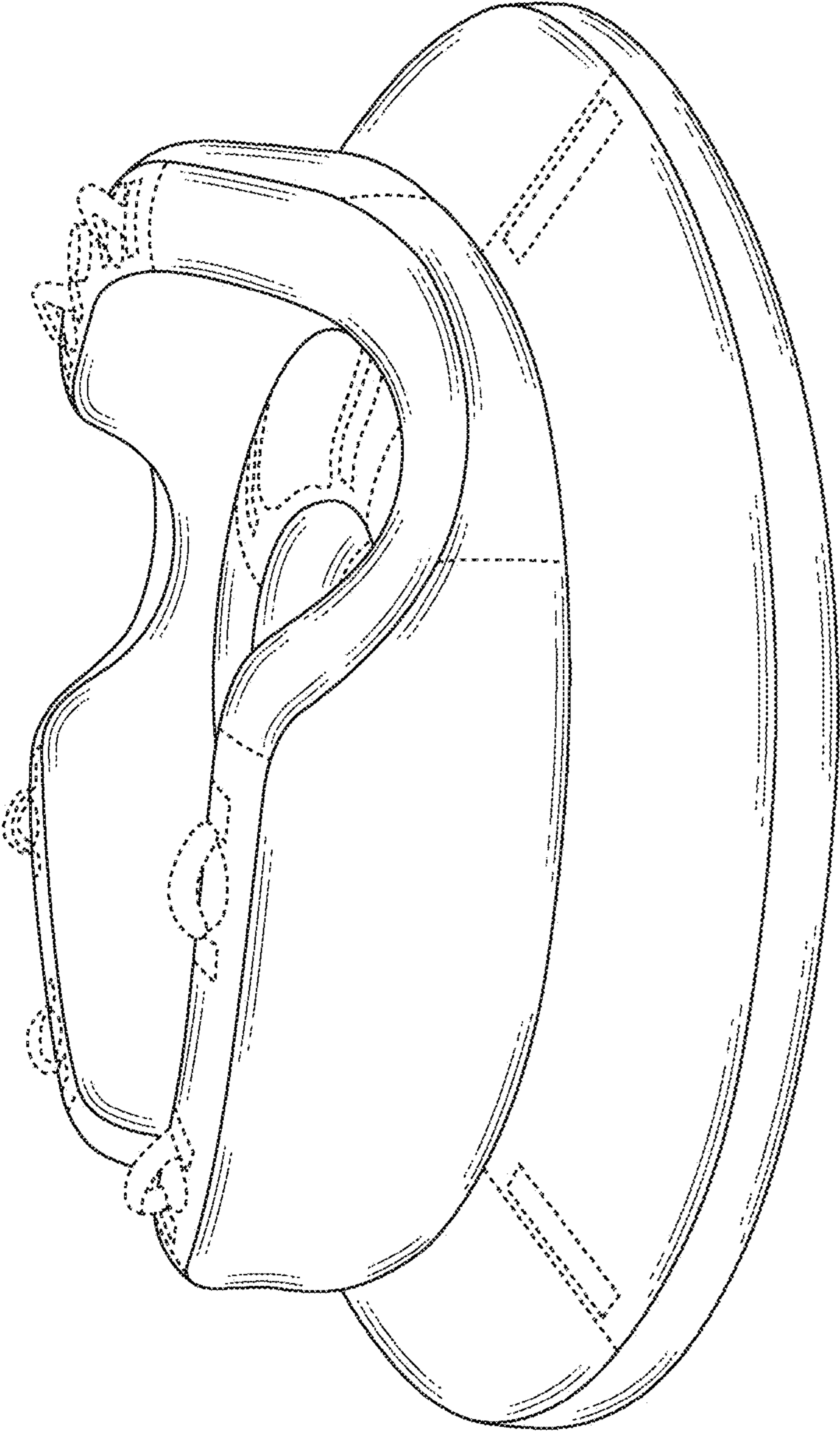


FIG.1

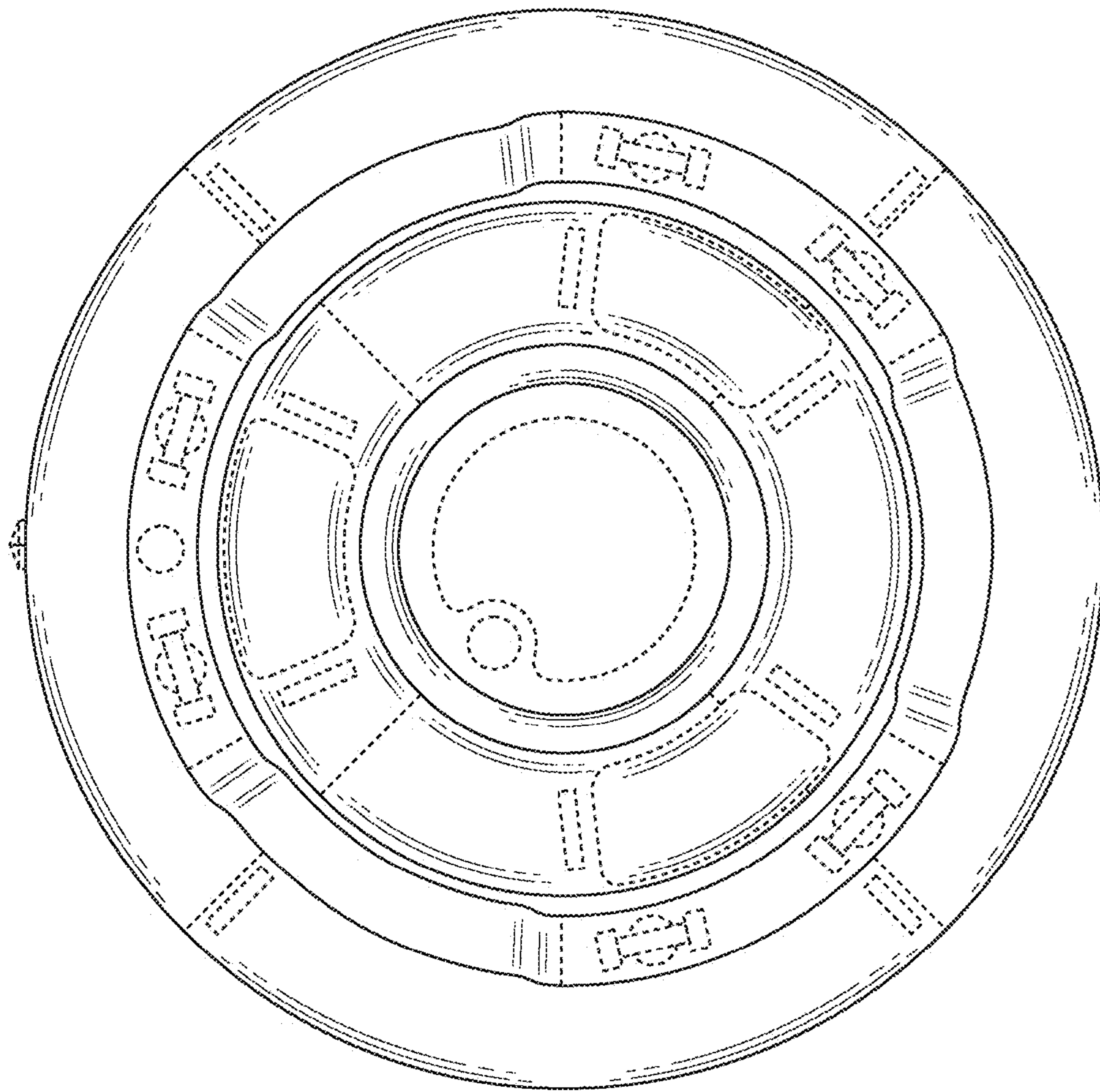


FIG. 2

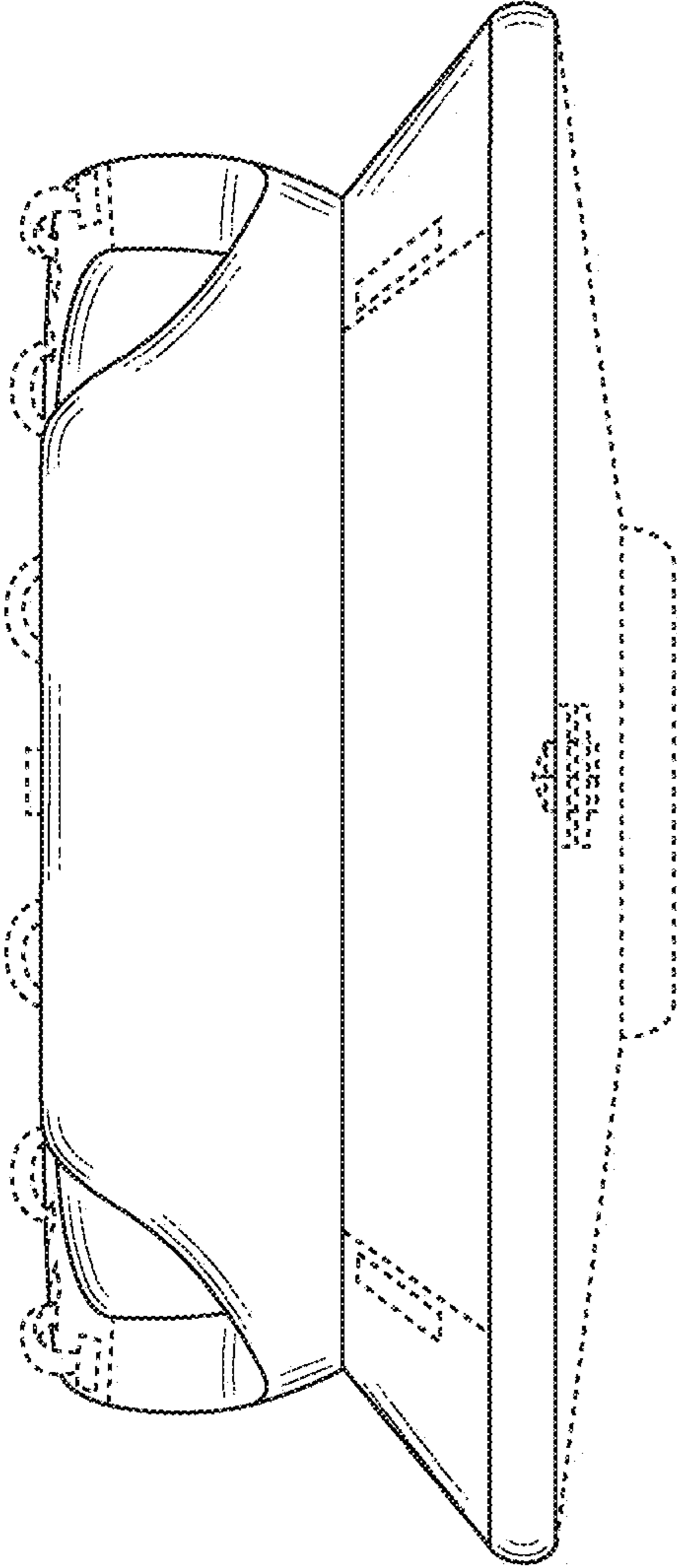


FIG. 3

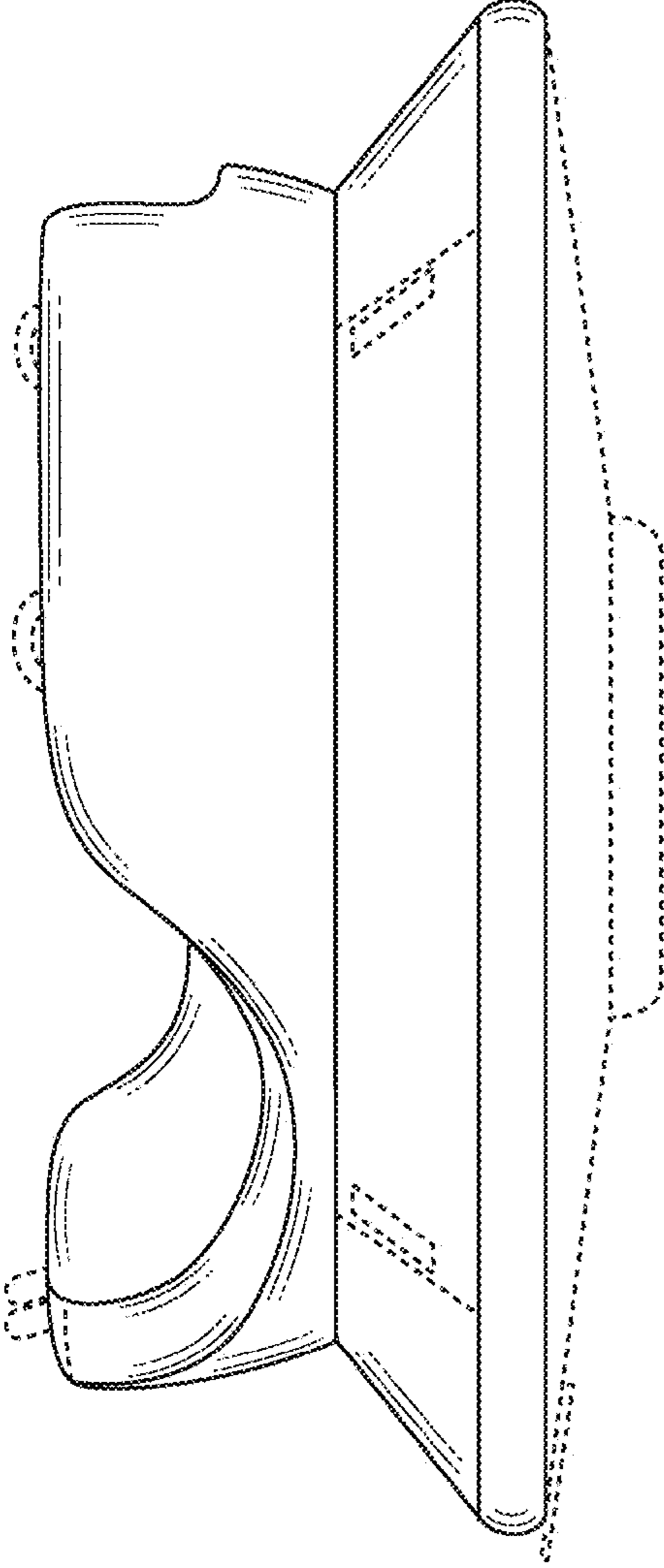


FIG.4

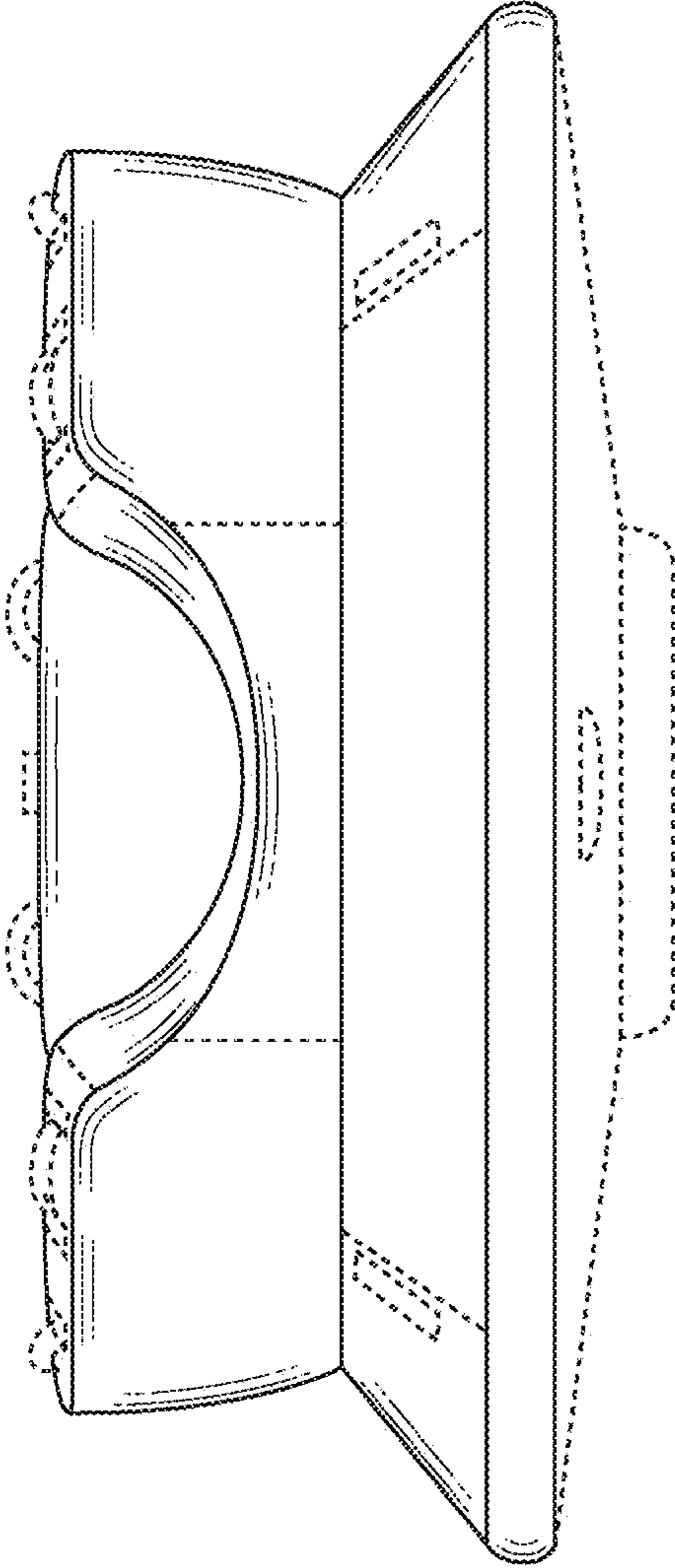


FIG. 5

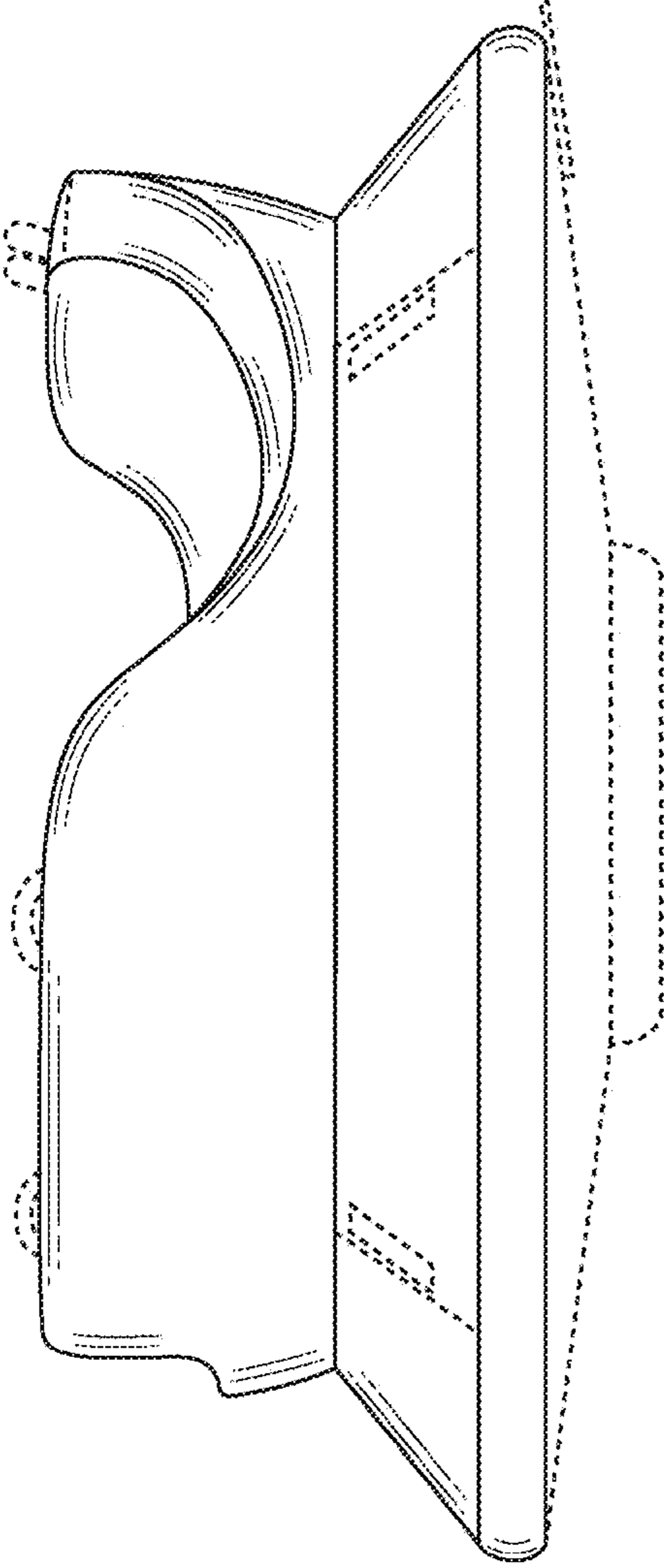


FIG.6

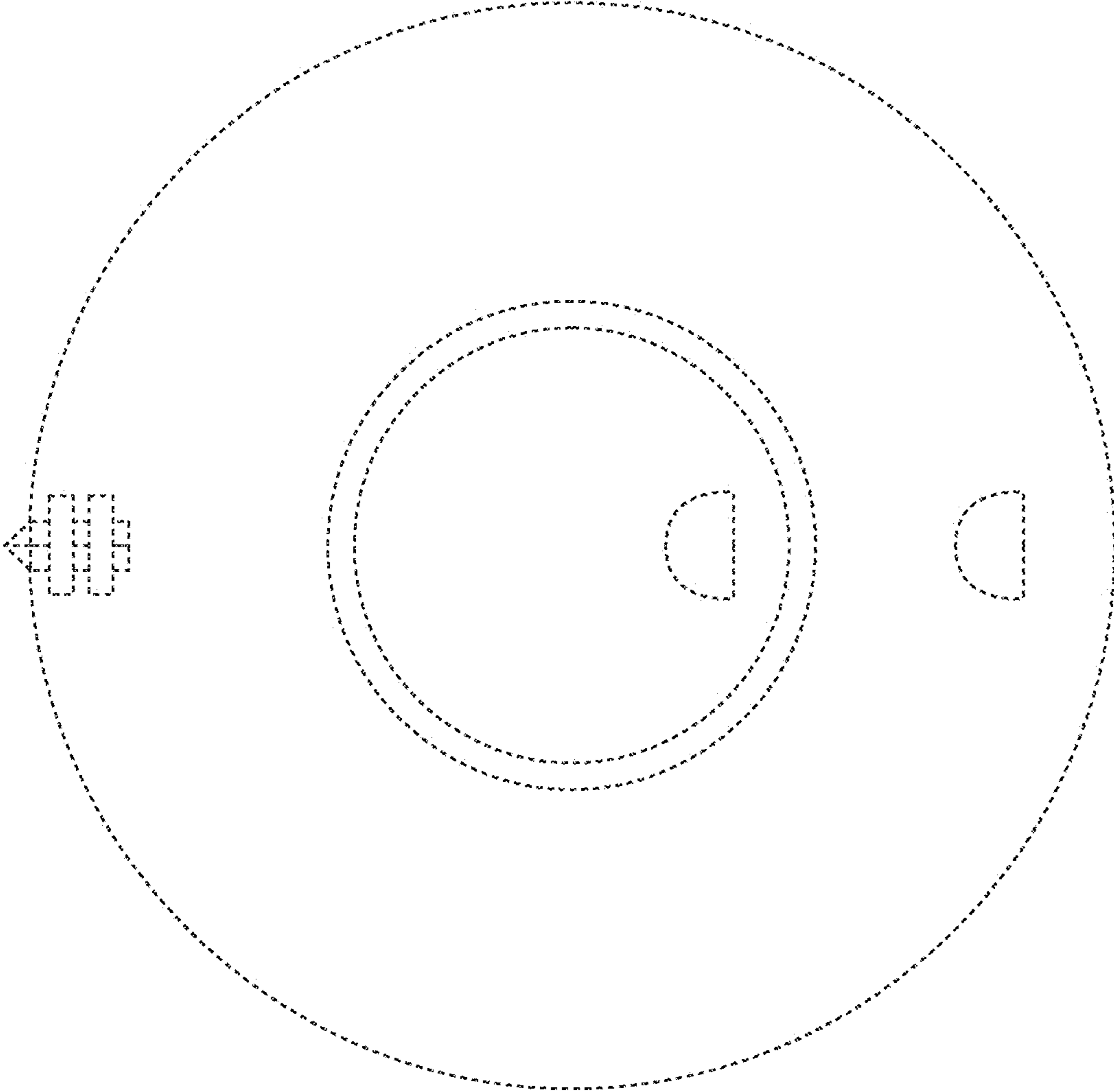


FIG. 7