



US00D926903S

(12) **United States Design Patent**
Zheng

(10) **Patent No.:** **US D926,903 S**

(45) **Date of Patent:** **** Aug. 3, 2021**

- (54) **BOXING BAG**
- (71) Applicant: **Jinhua Taisen Sports Goods Co., Ltd.**,
Jinhua (CN)
- (72) Inventor: **Xiaopu Zheng**, Jinhua (CN)
- (**) Term: **15 Years**
- (21) Appl. No.: **29/762,738**
- (22) Filed: **Dec. 18, 2020**
- (51) **LOC (13) Cl.** **21-02**
- (52) **U.S. Cl.**
USPC **D21/787**
- (58) **Field of Classification Search**
USPC D21/787, 798, 662, 680, 686, 688,
D21/692-694; 482/83-90
CPC A63B 69/20; A63B 69/201; A63B 69/203;
A63B 69/205; A63B 69/206; A63B
69/208; A63B 69/24; A63B 69/26; A63B
69/32; A63B 69/325; A63B 69/34
See application file for complete search history.

(56) **References Cited**

U.S. PATENT DOCUMENTS

- 4,103,889 A * 8/1978 Lobur A63B 69/201
482/86
- 5,330,403 A * 7/1994 Kuo A63B 69/208
482/83
- D409,670 S * 5/1999 Kuo A63B 69/208
D21/662
- 6,027,435 A * 2/2000 Nadorf A63B 69/208
482/146
- 6,106,443 A * 8/2000 Kuo A63B 69/34
482/83
- 6,390,958 B1 * 5/2002 Chu A63B 69/20
482/83
- 6,464,621 B1 * 10/2002 Chen A63B 69/208
482/83
- D483,828 S * 12/2003 Perez D21/787

- 6,790,167 B1 * 9/2004 Carlin A63B 69/004
482/83
- 7,086,997 B1 * 8/2006 Fields A63B 69/004
482/83
- D584,785 S 1/2009 McDonald
- 7,704,194 B1 * 4/2010 Chen A63B 69/208
482/87
- 8,246,493 B1 * 8/2012 Ling A63B 21/169
473/417
- D709,976 S 7/2014 Clauder et al.
- 8,931,767 B2 * 1/2015 Fu A63B 69/201
267/141
- D760,331 S * 6/2016 Gilchrist D21/662
- 10,124,227 B1 * 11/2018 Morin A63B 71/0622
- D899,544 S 10/2020 Li

(Continued)

FOREIGN PATENT DOCUMENTS

- CN 302044851 * 8/2012
- CN 303533496 * 12/2015

(Continued)

Primary Examiner — Catherine A Tuttle

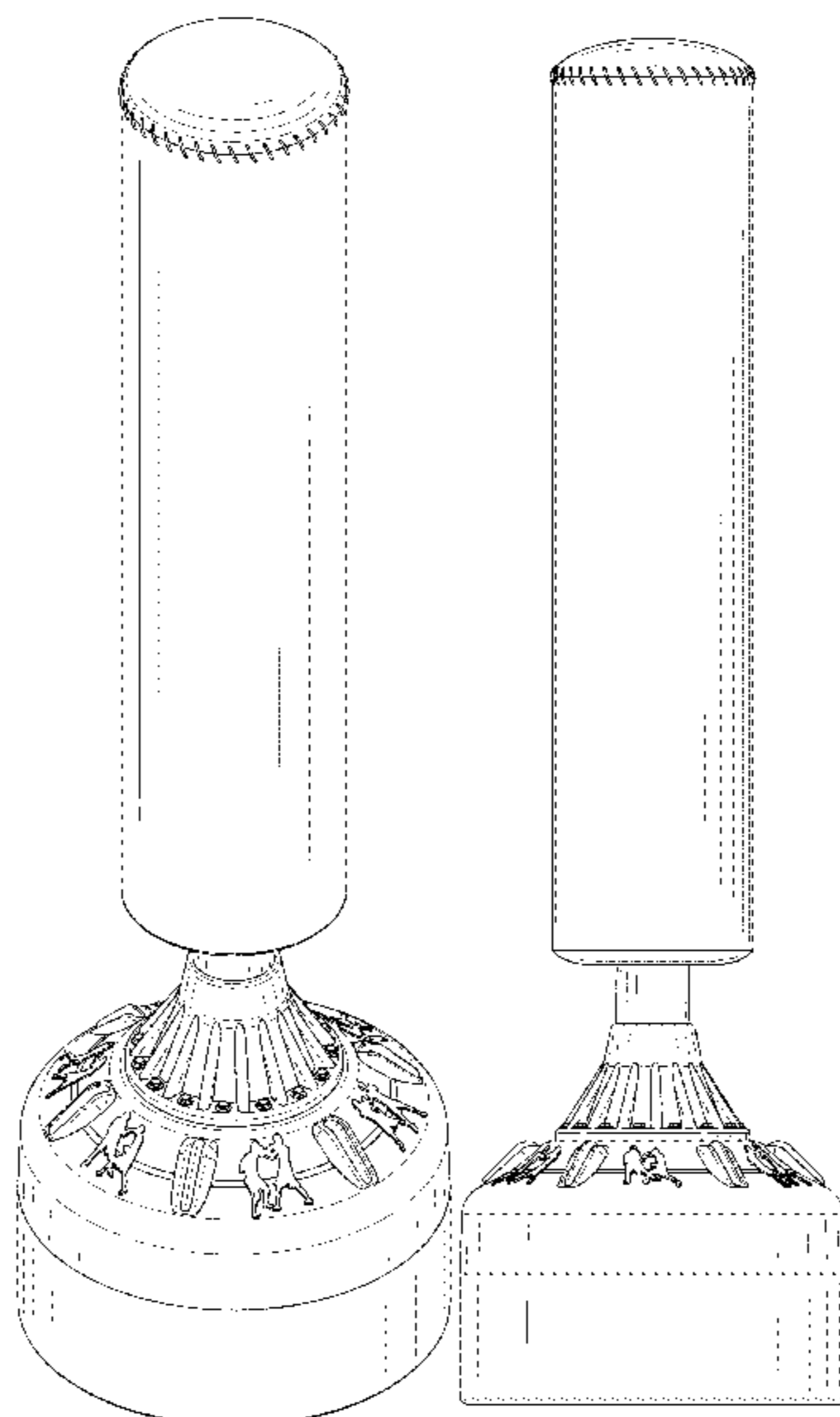
(57) **CLAIM**

The ornamental design for a boxing bag, as shown and described.

DESCRIPTION

FIG. 1 is a top perspective view of a boxing bag showing my new design;
 FIG. 2 is a bottom perspective view thereof;
 FIG. 3 is a front view thereof;
 FIG. 4 is a back view thereof;
 FIG. 5 is a left side view thereof;
 FIG. 6 is a right side view thereof;
 FIG. 7 is a top view thereof; and,
 FIG. 8 is a bottom view thereof.
 The broken lines shown in FIGS. 2 and 8 depict bottom surface details that form no part of the claimed design.

1 Claim, 8 Drawing Sheets



(56)

References Cited

U.S. PATENT DOCUMENTS

D912,753 S * 3/2021 Zheng D21/787
2005/0181913 A1* 8/2005 Vang A63B 69/34
482/83
2009/0264263 A1* 10/2009 Yang A63B 69/20
482/85
2011/0251024 A1* 10/2011 Hu A63B 69/20
482/90
2017/0036087 A1* 2/2017 Codrington B32B 1/02
2017/0296897 A1* 10/2017 Simpson A63B 71/0622

FOREIGN PATENT DOCUMENTS

CN 304415555 * 12/2017
CN 304706279 * 6/2018
CN 305373087 * 10/2019
CN 305373088 * 10/2019
DE 202011105112 U1 * 10/2011 A63B 69/20
EM 008160899-0001 * 9/2020
FR 2942728 A3 * 9/2010 A63B 69/208
GB 4041207 * 6/2015
WO WO-2012083214 A1 * 6/2012 A63B 69/203
WO WO-2017018950 A1 * 2/2017 A63B 71/023

* cited by examiner

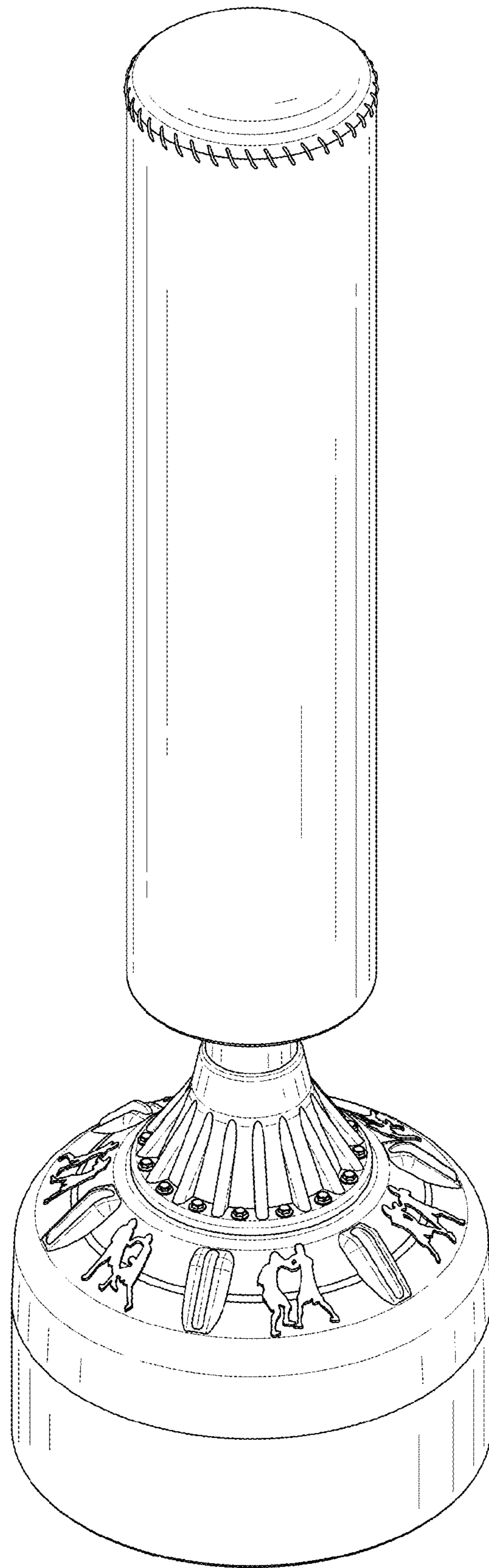


FIG. 1

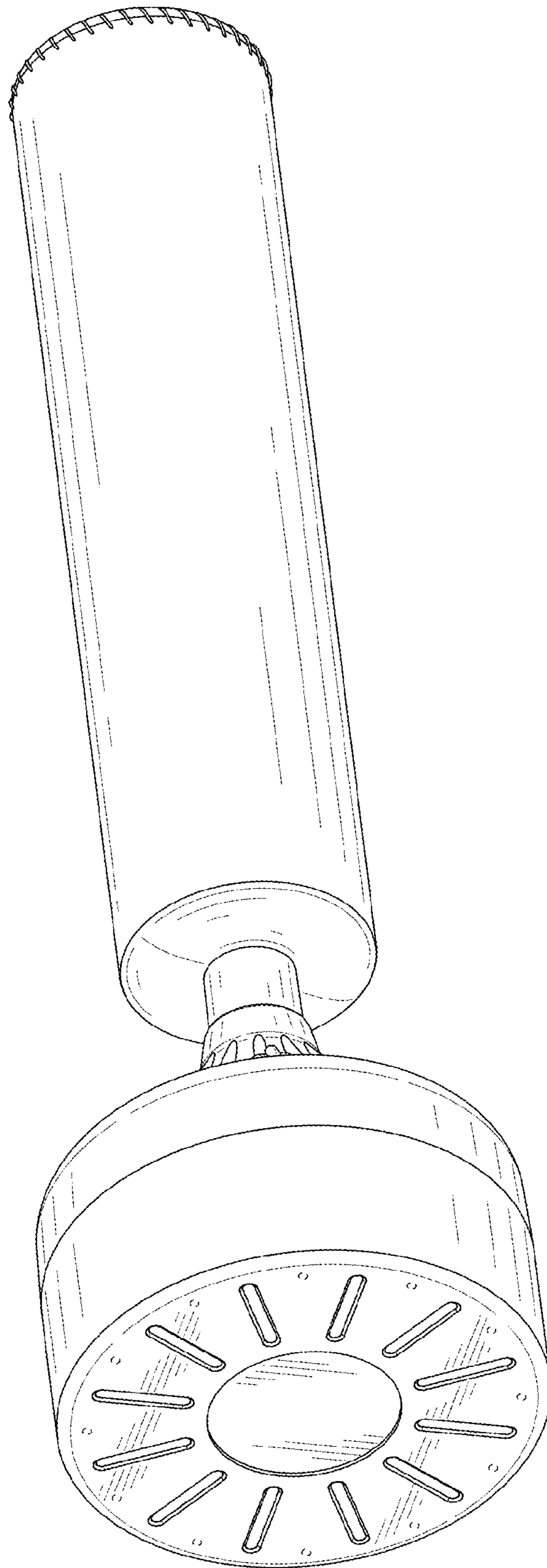


FIG. 2

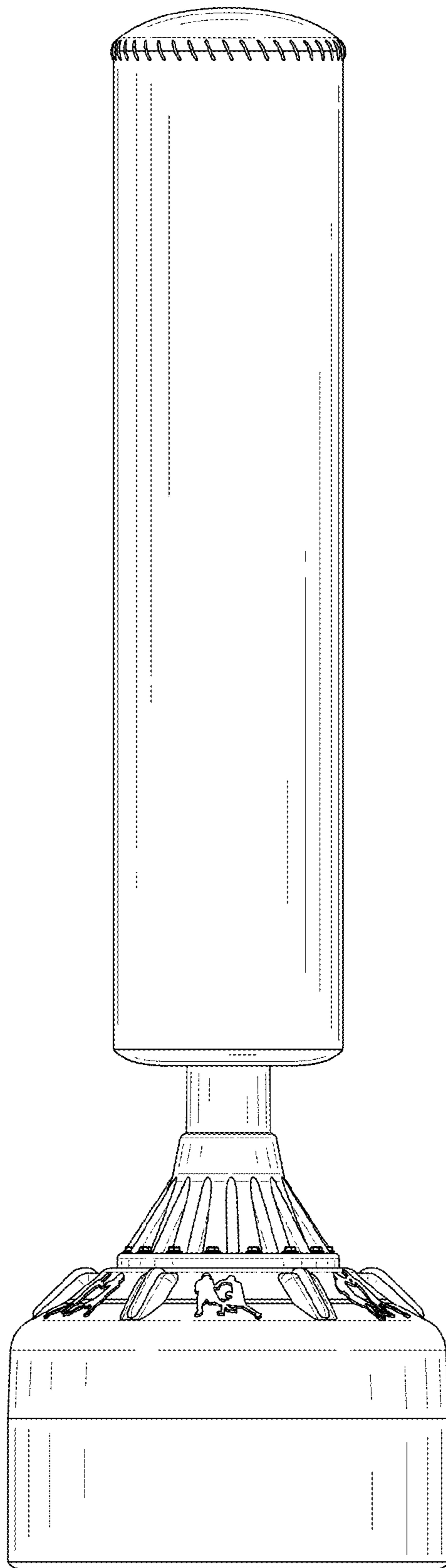


FIG. 3

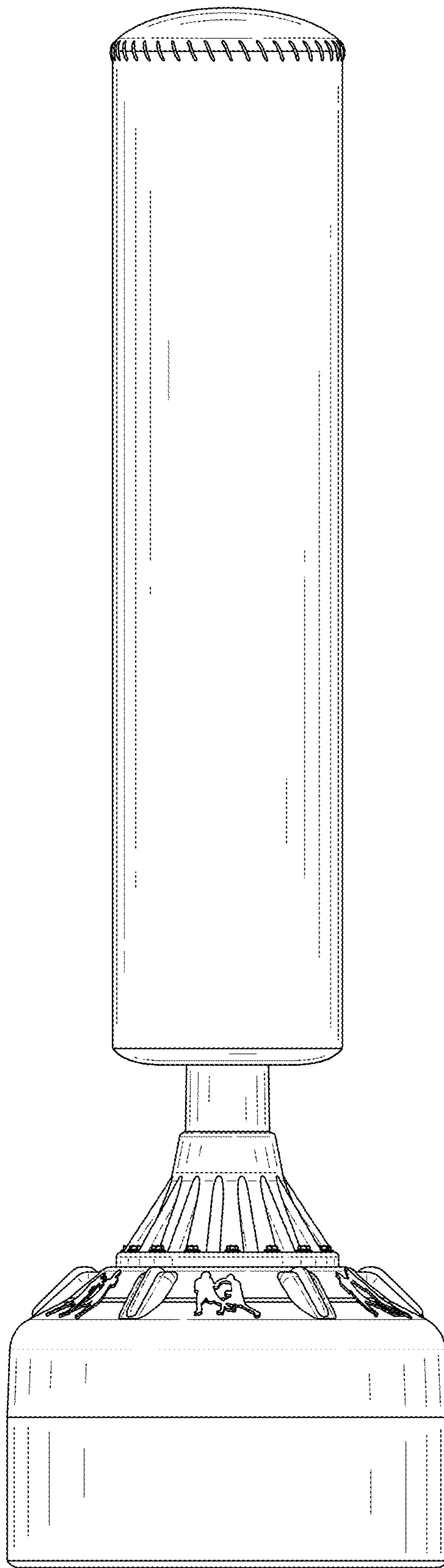


FIG. 4

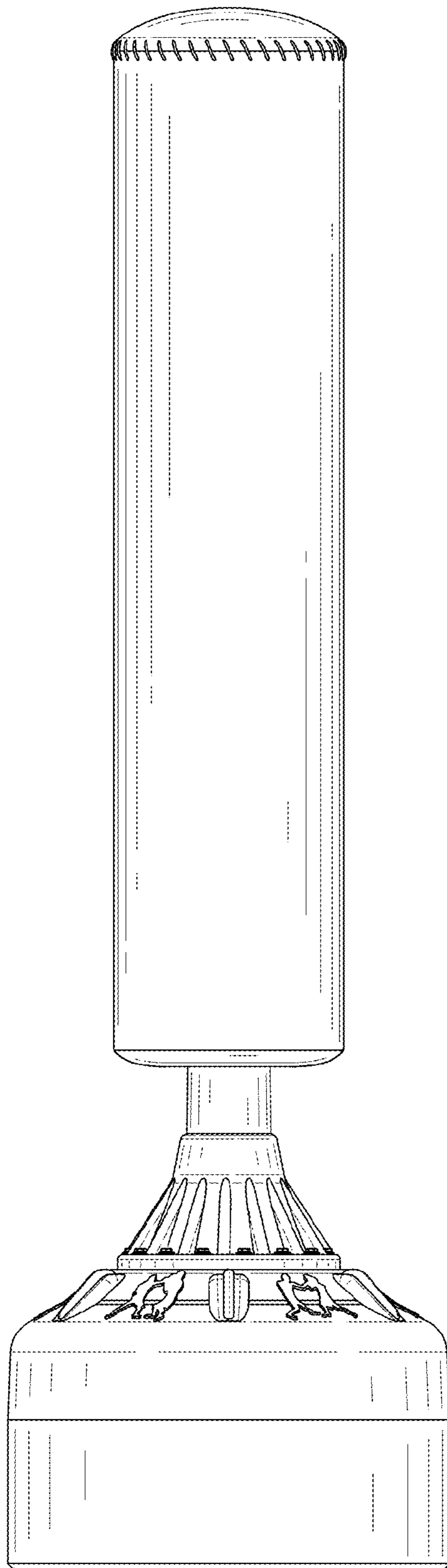


FIG. 5

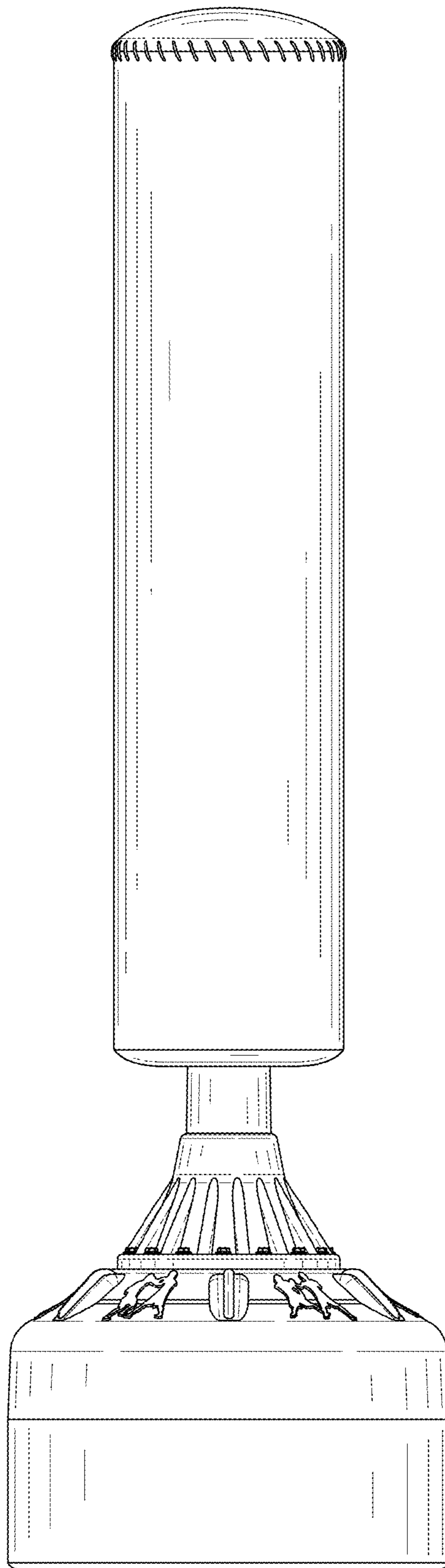


FIG. 6

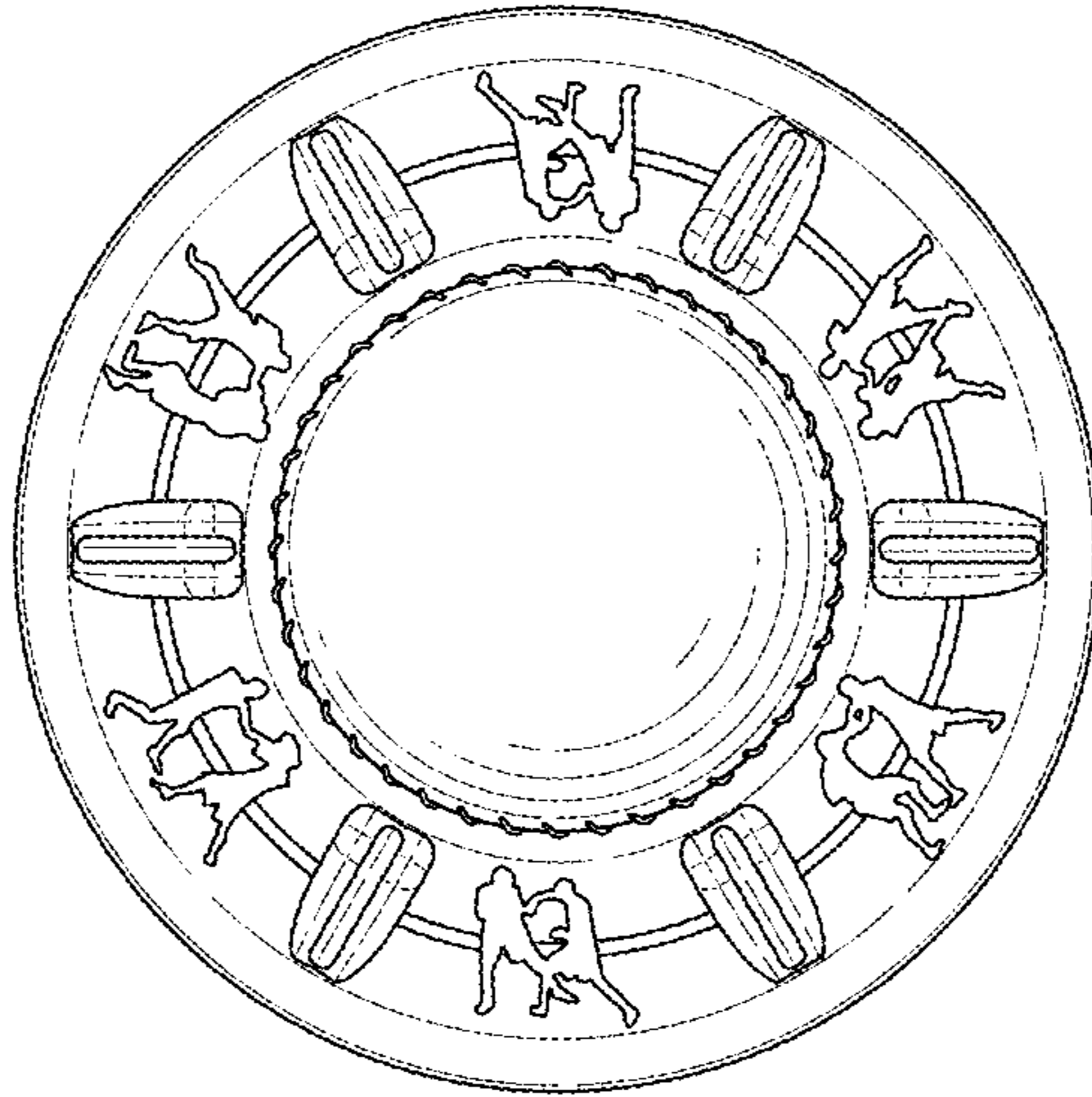


FIG. 7

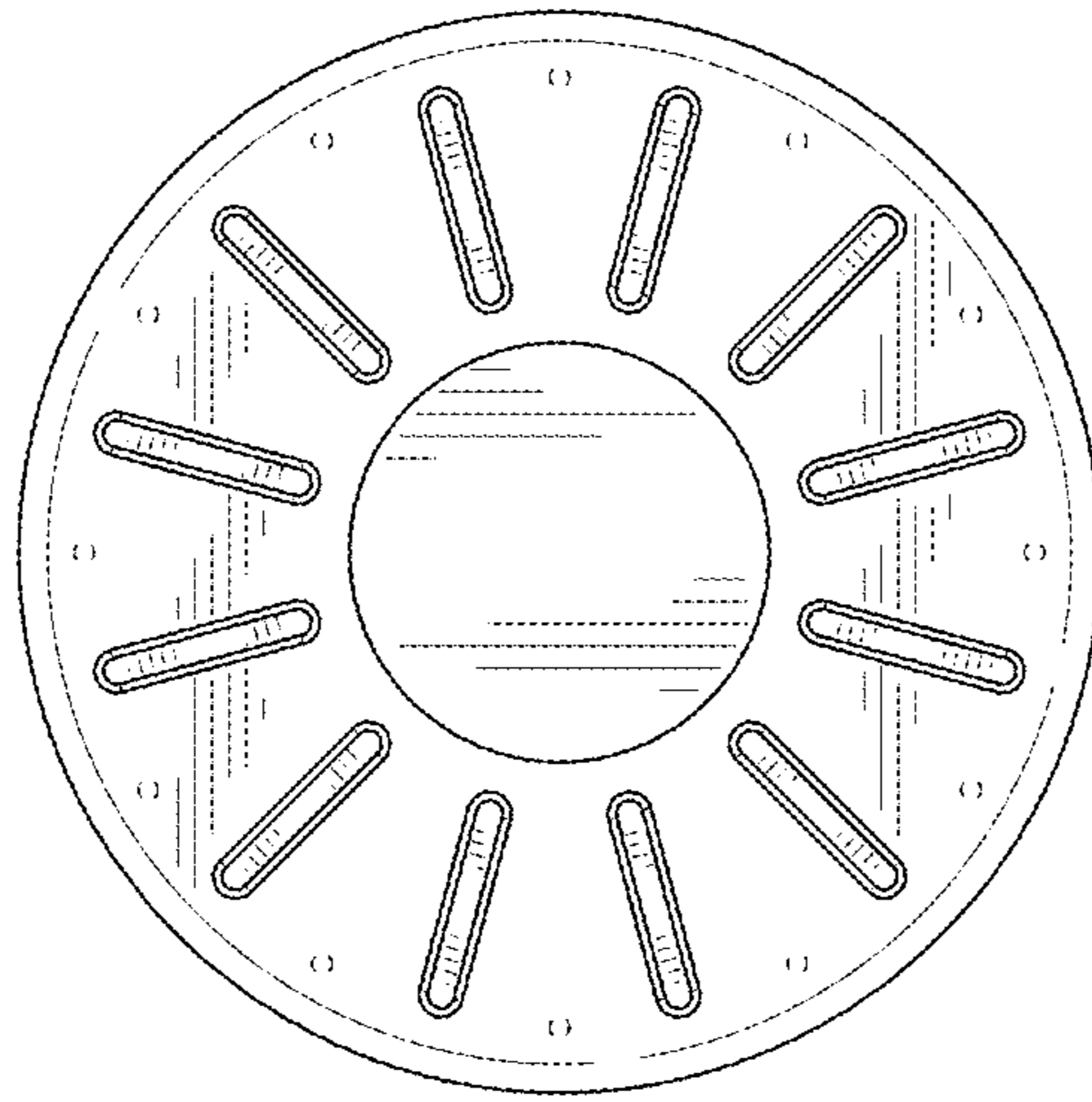


FIG. 8