



US00D926902S

(12) **United States Design Patent**  
**Ke et al.**

(10) **Patent No.: US D926,902 S**

(45) **Date of Patent: \*\* Aug. 3, 2021**

(54) **HOVERBOARD**

(56) **References Cited**

(71) Applicant: **Golabs Inc.**, Carrollton, TX (US)

U.S. PATENT DOCUMENTS

(72) Inventors: **Qin Ke**, Lishui (CN); **Qiusheng Zhang**, Lishui (CN); **Matao Cao**, Lishui (CN)

D841,516 S \* 2/2019 Khamenian ..... D12/1  
D888,855 S \* 6/2020 Li ..... D21/763  
2017/0088212 A1\* 3/2017 Edney ..... B62K 11/007

\* cited by examiner

(73) Assignee: **Golabs Inc.**, Carrollton, TX (US)

*Primary Examiner* — Cynthia M. Chin

(\*\*) Term: **15 Years**

(74) *Attorney, Agent, or Firm* — Muncy, Geissler, Olds & Lowe, P.C.

(21) Appl. No.: **29/711,112**

(57) **CLAIM**

(22) Filed: **Oct. 29, 2019**

The ornamental design for a hoverboard, as shown and described.

(30) **Foreign Application Priority Data**

**DESCRIPTION**

May 6, 2019 (CN) ..... 201930216468.8

(51) **LOC (13) Cl.** ..... **21-02**

(52) **U.S. Cl.**

USPC ..... **D21/763**

(58) **Field of Classification Search**

USPC ..... D21/419, 421, 423, 426, 760, 765, 766,

D21/769, 771, 776, 803; D12/1

CPC ..... A63C 17/01; A63C 17/12; A63C 2203/00;

A63C 2203/011; A63C 2203/012; A63C

2203/013; A63C 2203/40; A63C 2203/52;

B62D 51/02; B62K 2202/00; B62K

2207/00; B62K 2207/02; B62K 2207/04

See application file for complete search history.

FIG. 1 is a first perspective view of a hoverboard according to my new design;

FIG. 2 is a second perspective view thereof;

FIG. 3 is a front elevation view thereof;

FIG. 4 is a rear elevation view thereof;

FIG. 5 is a right side elevation view thereof;

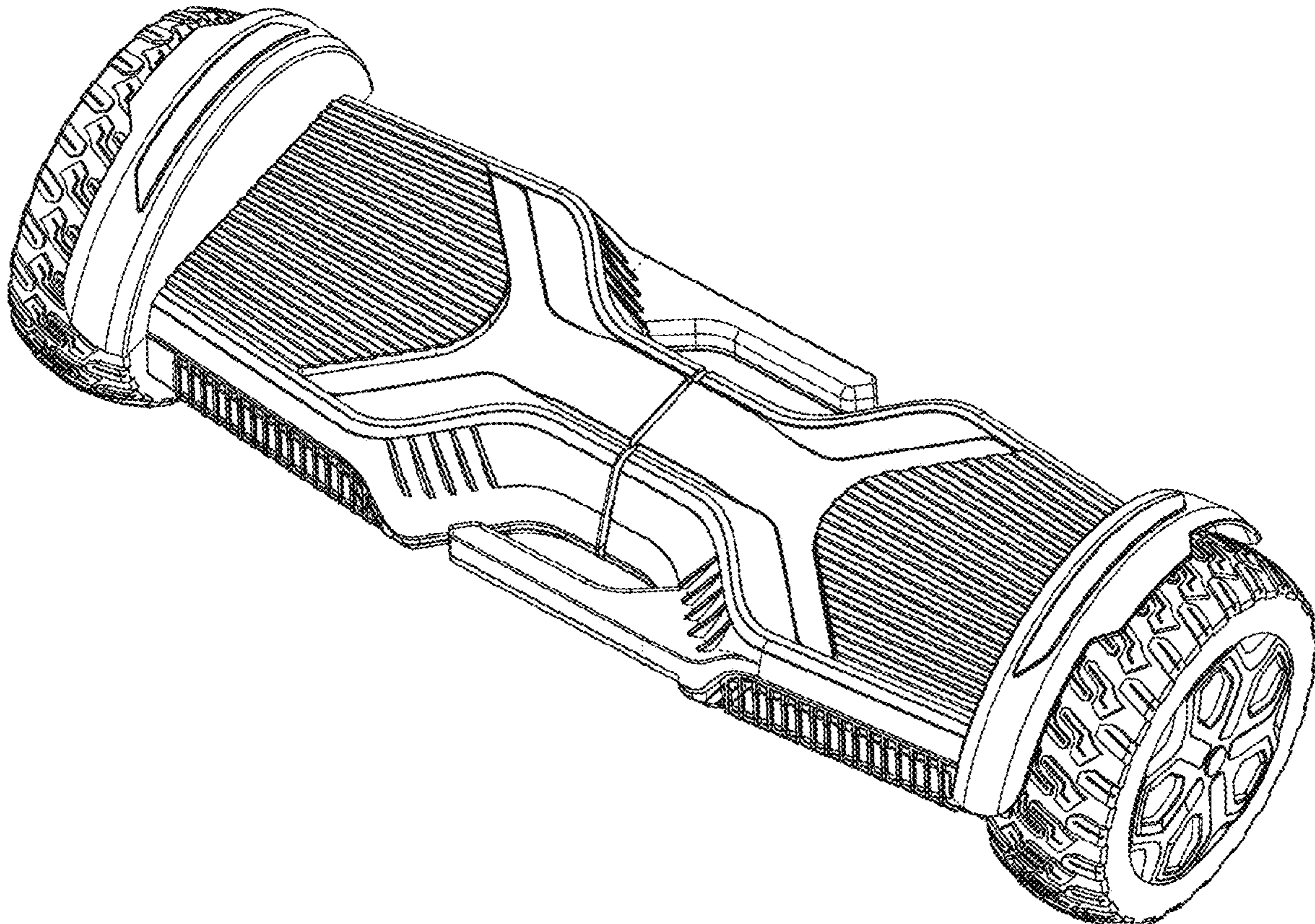
FIG. 6 is a left side elevation view thereof;

FIG. 7 is a top plan view thereof; and,

FIG. 8 is a bottom plan view thereof.

The broken lines in FIGS. 1-8 illustrating certain portions of the hoverboard form no part of the claimed design.

**1 Claim, 8 Drawing Sheets**





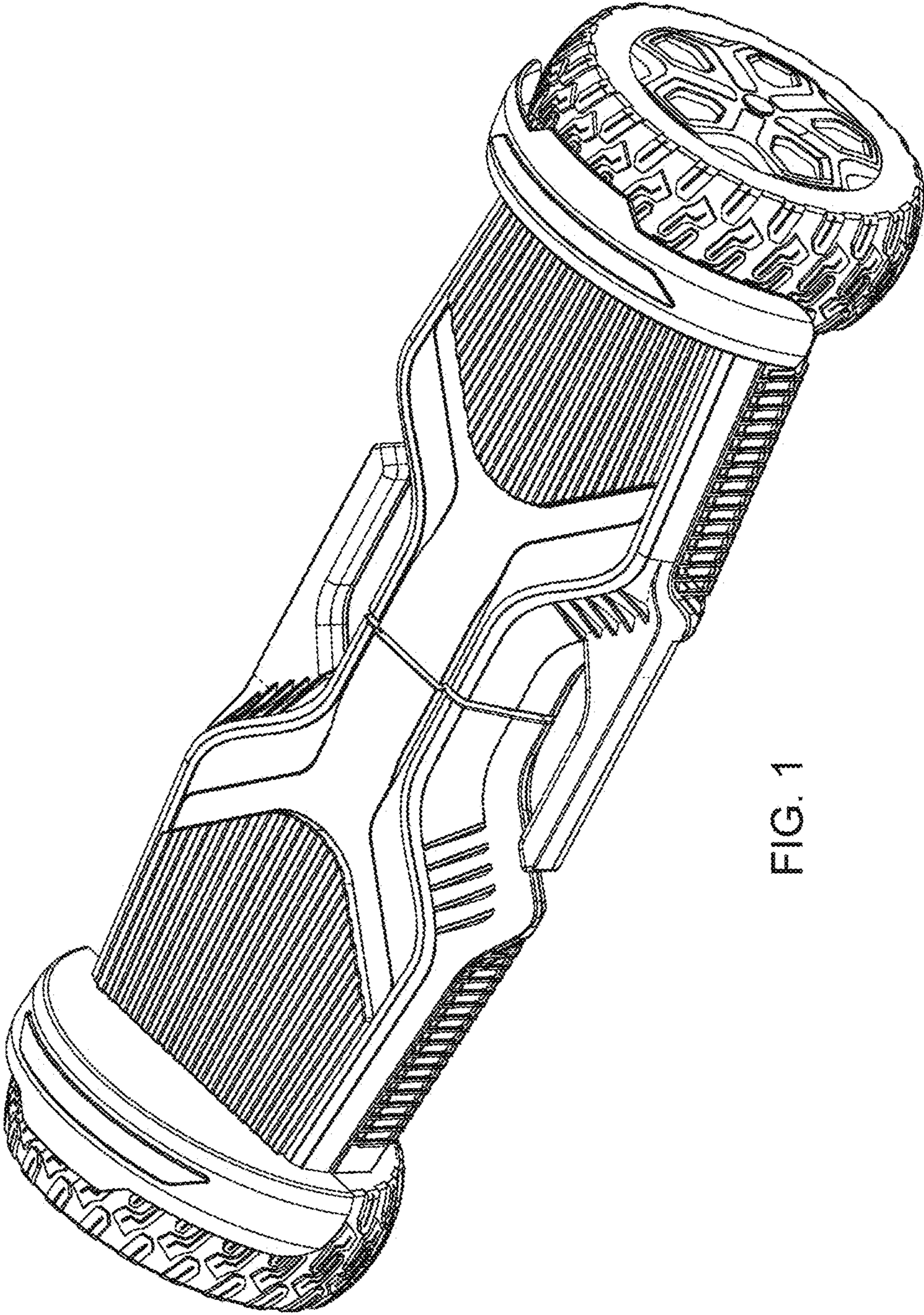


FIG. 1



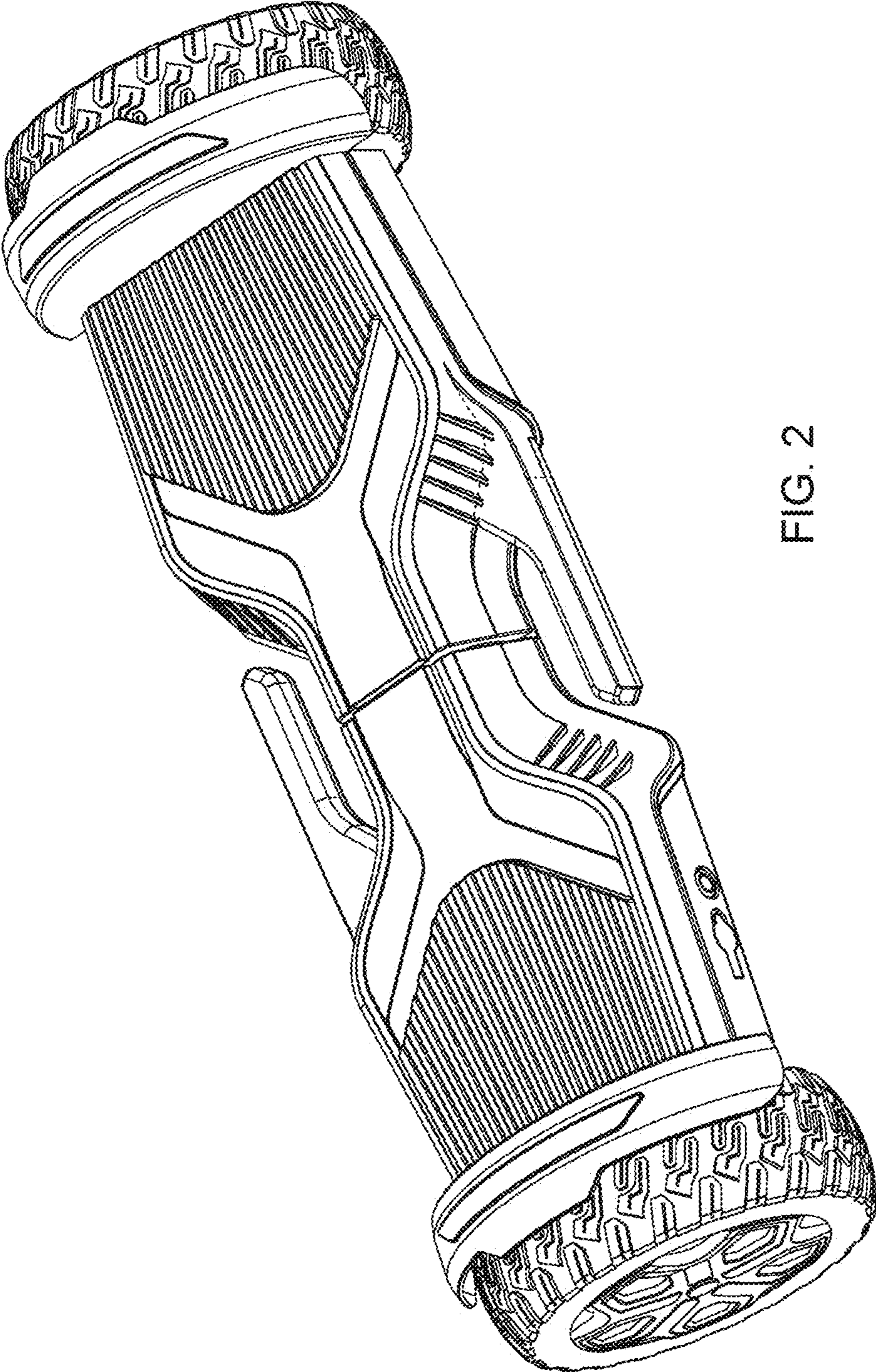


FIG. 2

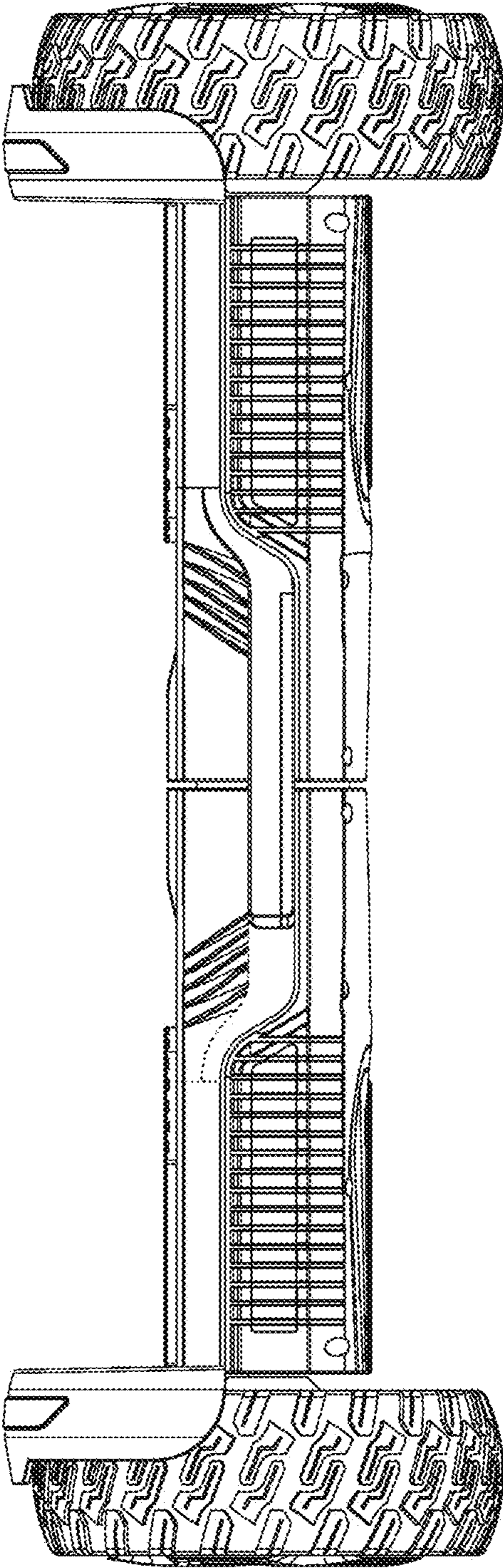


FIG. 3



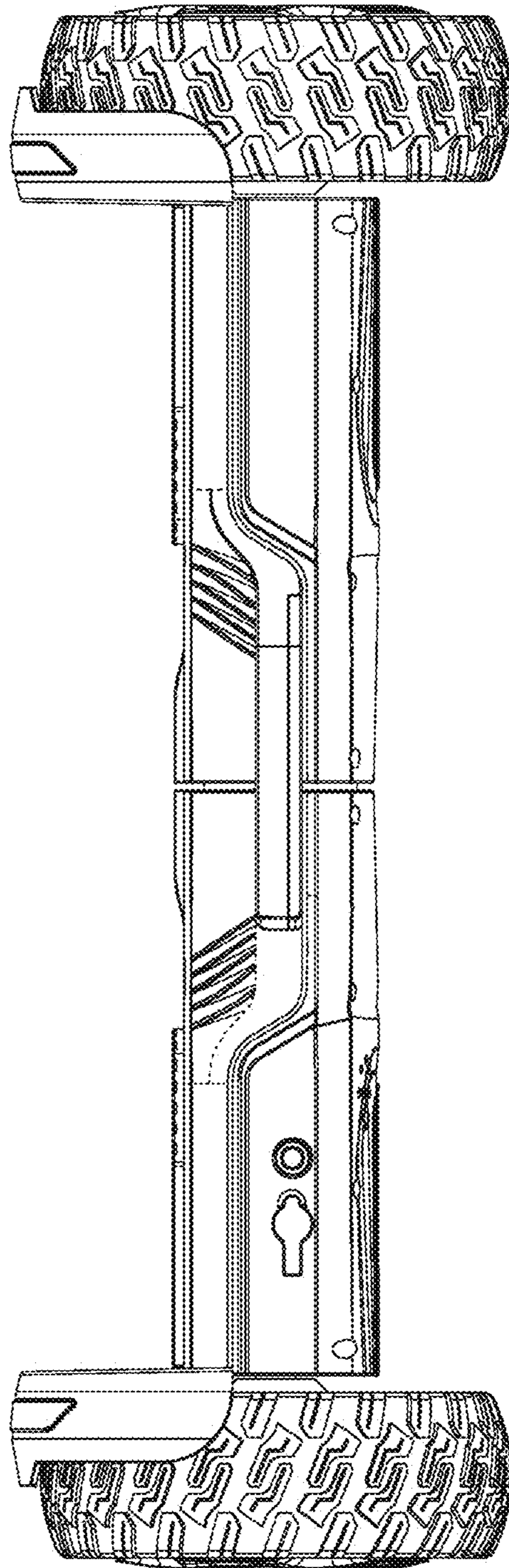


FIG. 4

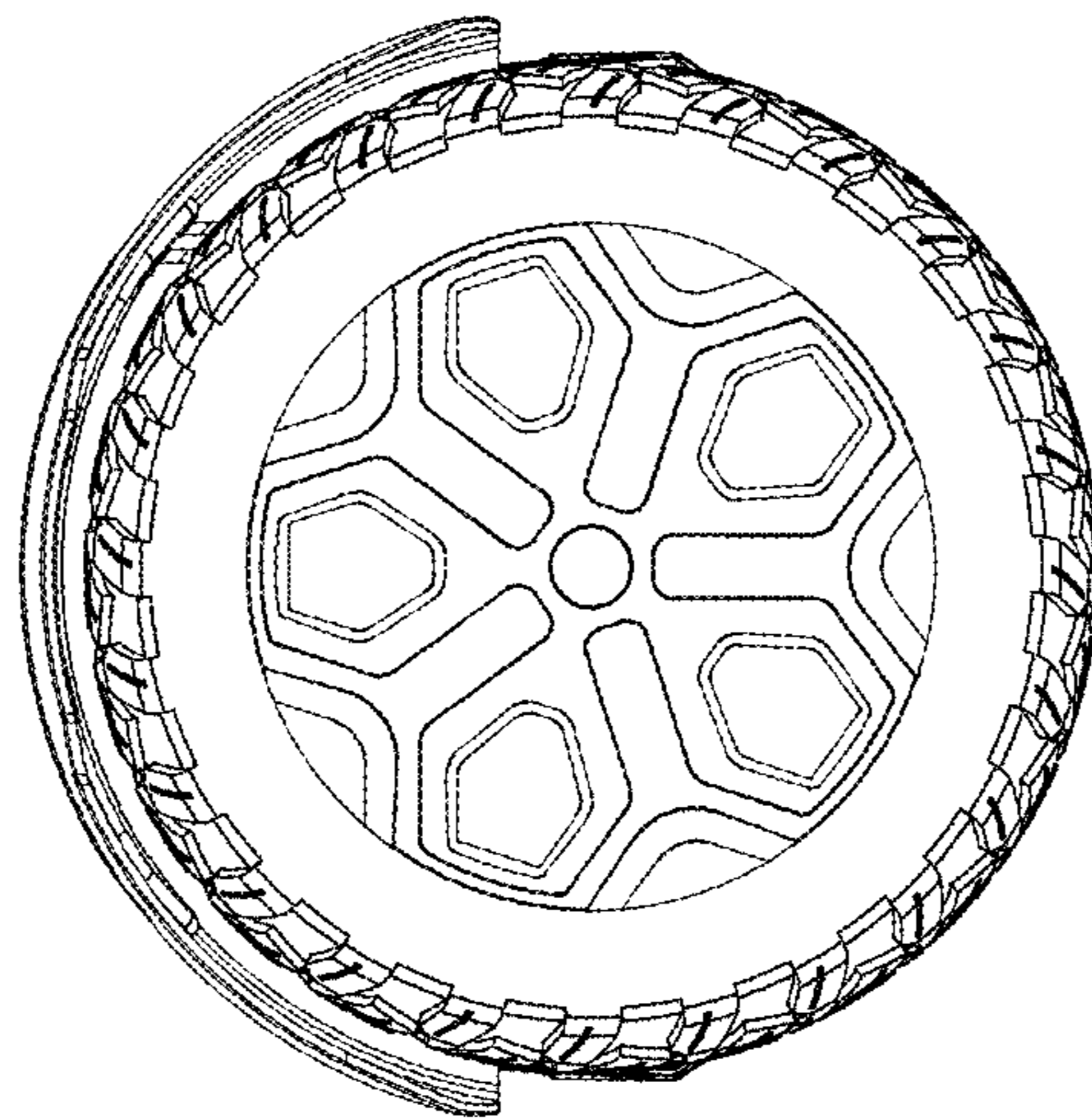


FIG. 5

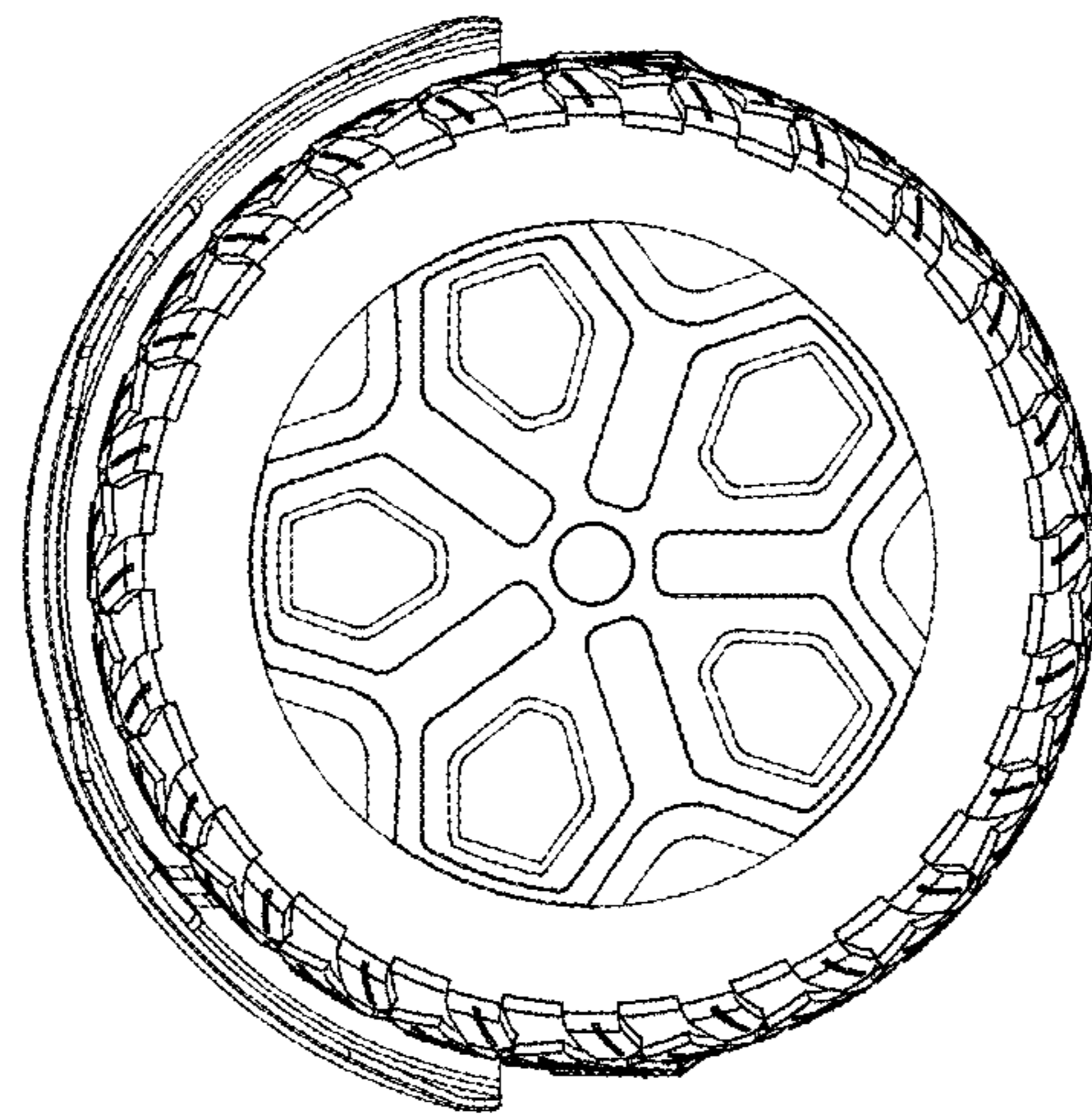


FIG. 6



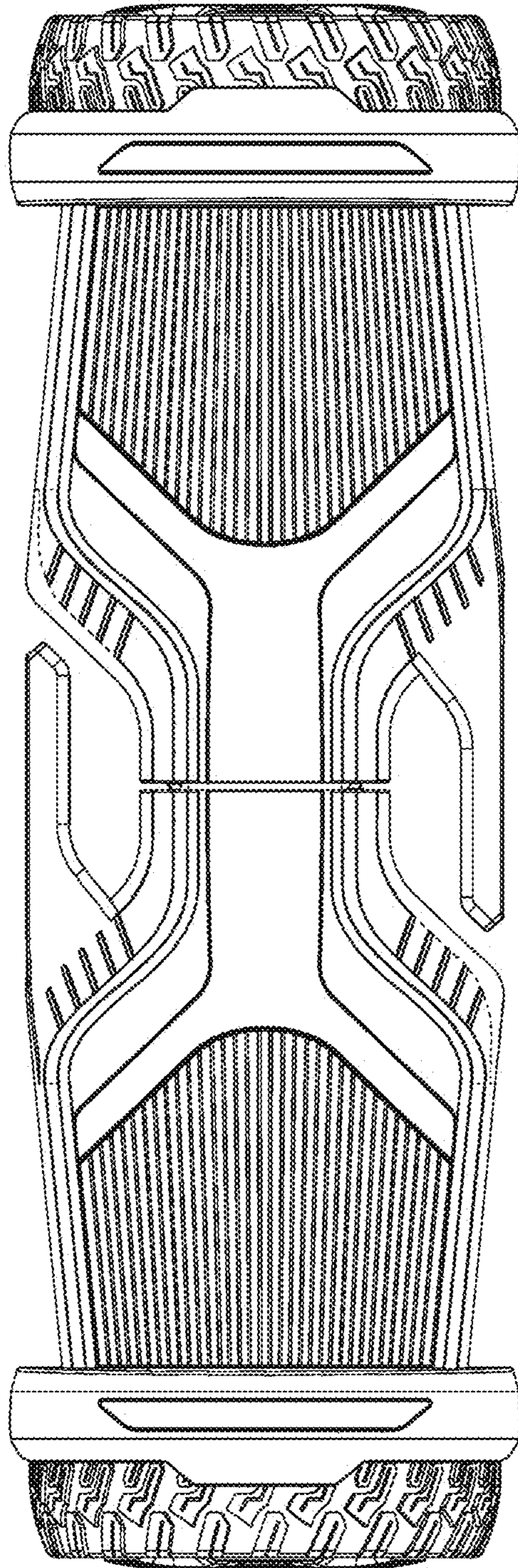


FIG. 7



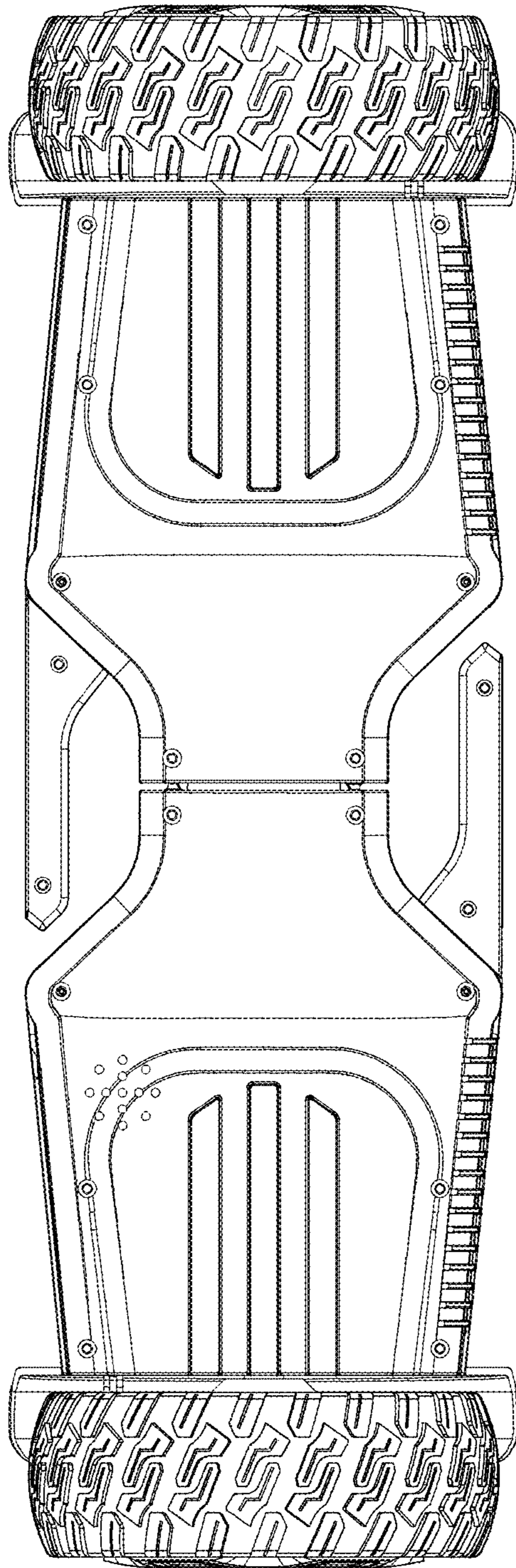


FIG. 8