



US00D926895S

(12) **United States Design Patent** (10) **Patent No.:** **US D926,895 S**
Zhu (45) **Date of Patent:** **** Aug. 3, 2021**

(54) **TREADMILL**

(71) Applicant: **NINGBO SHULI HEALTH TECHNOLOGY CO., LTD.**, Zhejiang (CN)

(72) Inventor: **Zheng Zhu**, Zhejiang (CN)

(73) Assignee: **NINGBO SHULI HEALTH TECHNOLOGY CO., LTD.**, Zhejiang (CN)

(**) Term: **15 Years**

(21) Appl. No.: **29/767,766**

(22) Filed: **Jan. 25, 2021**

(51) **LOC (13) Cl.** **21-02**

(52) **U.S. Cl.**
USPC **D21/669**

(58) **Field of Classification Search**
USPC D21/668-669; D30/160
CPC A63B 22/02; A63B 22/0023
See application file for complete search history.

(56) **References Cited**

U.S. PATENT DOCUMENTS

D392,351 S *	3/1998	Goody	D21/669
D403,034 S *	12/1998	Moon	D21/669
6,761,669 B1 *	7/2004	Pan	A63B 22/02 482/51
D579,992 S *	11/2008	Cesaroni	D21/694
7,828,699 B2 *	11/2010	Perez De Lazarraga	A63B 22/02 482/54
7,914,421 B2 *	3/2011	Weier	A63B 22/02 482/54
8,079,939 B1 *	12/2011	Wang	A63B 22/0235 482/54
8,206,269 B2 *	6/2012	Fabbri	G06T 7/20 482/8
D682,372 S *	5/2013	Alessandri	D21/669
D707,763 S *	6/2014	Cutler	D21/669

(Continued)

OTHER PUBLICATIONS

“Home Treadmill” Oct. 9, 2020, site visited: Jun. 7, 2021; <https://www.amazon.com/-/es/Caminadora-escritorio-instalaci%C3%B3n-capacidad-240-libras/dp/B08KXP3M2D> (Year: 2020).*

(Continued)

Primary Examiner — Michael C Stout

Assistant Examiner — Melvin L Davis

(74) *Attorney, Agent, or Firm* — ScienBiziP, P.C.

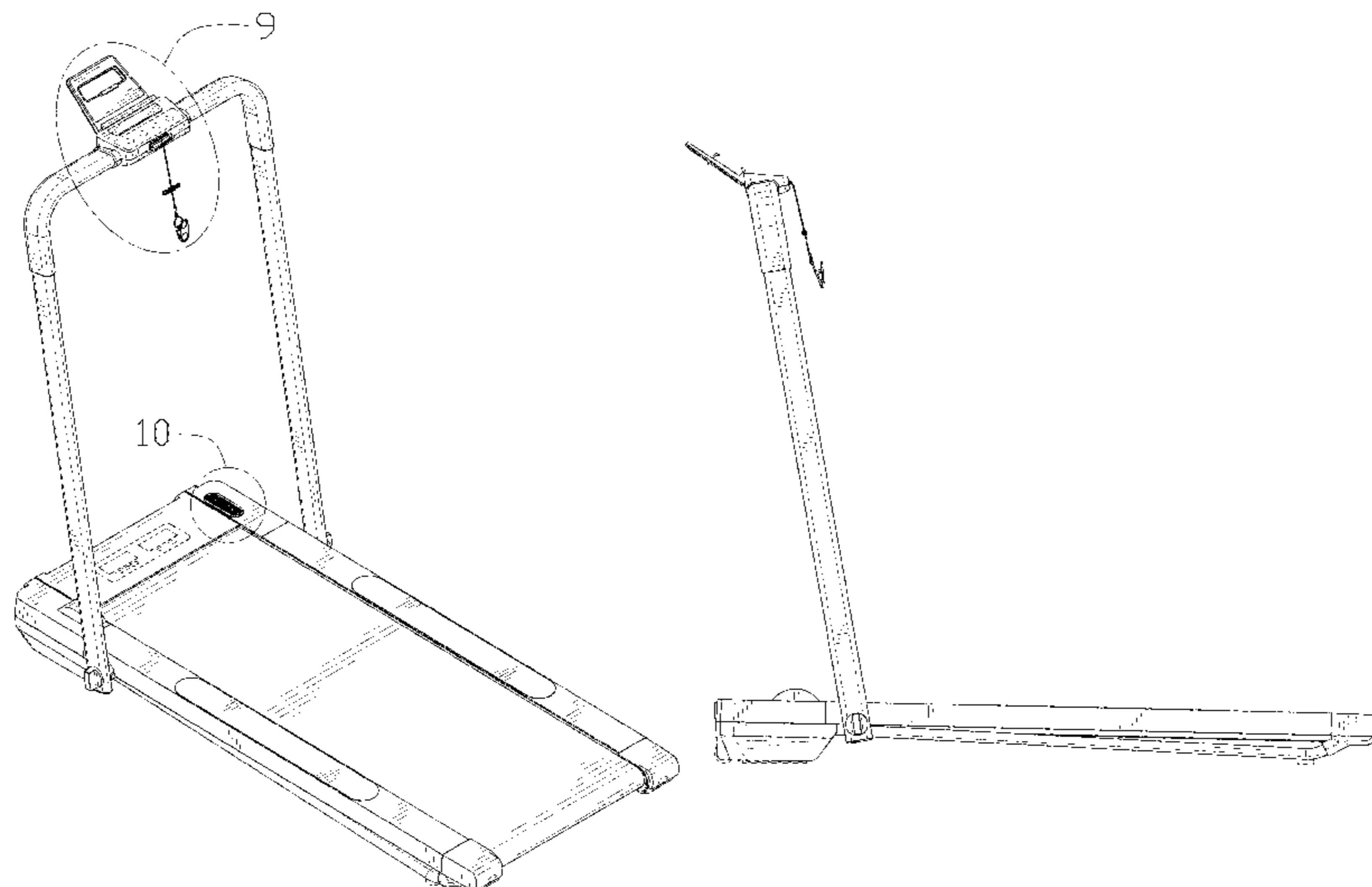
(57) **CLAIM**

The ornamental design for a treadmill, as shown and described.

DESCRIPTION

FIG. 1 is a front, right, and top perspective view of a treadmill, showing my design.
 FIG. 2 is a rear, left, and bottom perspective view thereof.
 FIG. 3 is a front elevation view thereof.
 FIG. 4 is a rear elevation view thereof.
 FIG. 5 is a left side elevation view thereof.
 FIG. 6 is a right side elevation view thereof.
 FIG. 7 is a top plan view thereof.
 FIG. 8 is a bottom plan view thereof.
 FIG. 9 is a partial enlarged view of an area labeled 9 in FIG. 1 comprising a panel and a clip.
 FIG. 10 is a partial enlarged view of an area labeled 10 in FIG. 1 comprising a sound.
 FIG. 11 is a partial enlarged view of an area labeled 11 in FIG. 2 comprising the panel and the clip; and,
 FIG. 12 is a partial enlarged view of an area labeled 12 in FIG. 2 comprising a net.
 The broken lines shown in the drawings are included for the purpose of illustrating portions of the treadmill that form no part of the claimed design.

1 Claim, 12 Drawing Sheets



(56)

References Cited

U.S. PATENT DOCUMENTS

8,968,160 B2 * 3/2015 Cassano A63B 22/0235
482/54
D859,543 S * 9/2019 Lisi D21/669
D889,569 S 7/2020 Luo
D907,722 S * 1/2021 Fang D21/669

OTHER PUBLICATIONS

“MaxKare 2-in-1 Foldable Electric Treadmill” Dec. 7, 2020, site visited: Jun. 7, 2021; <https://www.amazon.com/MaxKare-Folding-Electric-Treadmill-Installation-Free/product-reviews/B08ZDKNSKB/> (Year: 2020).*

* cited by examiner

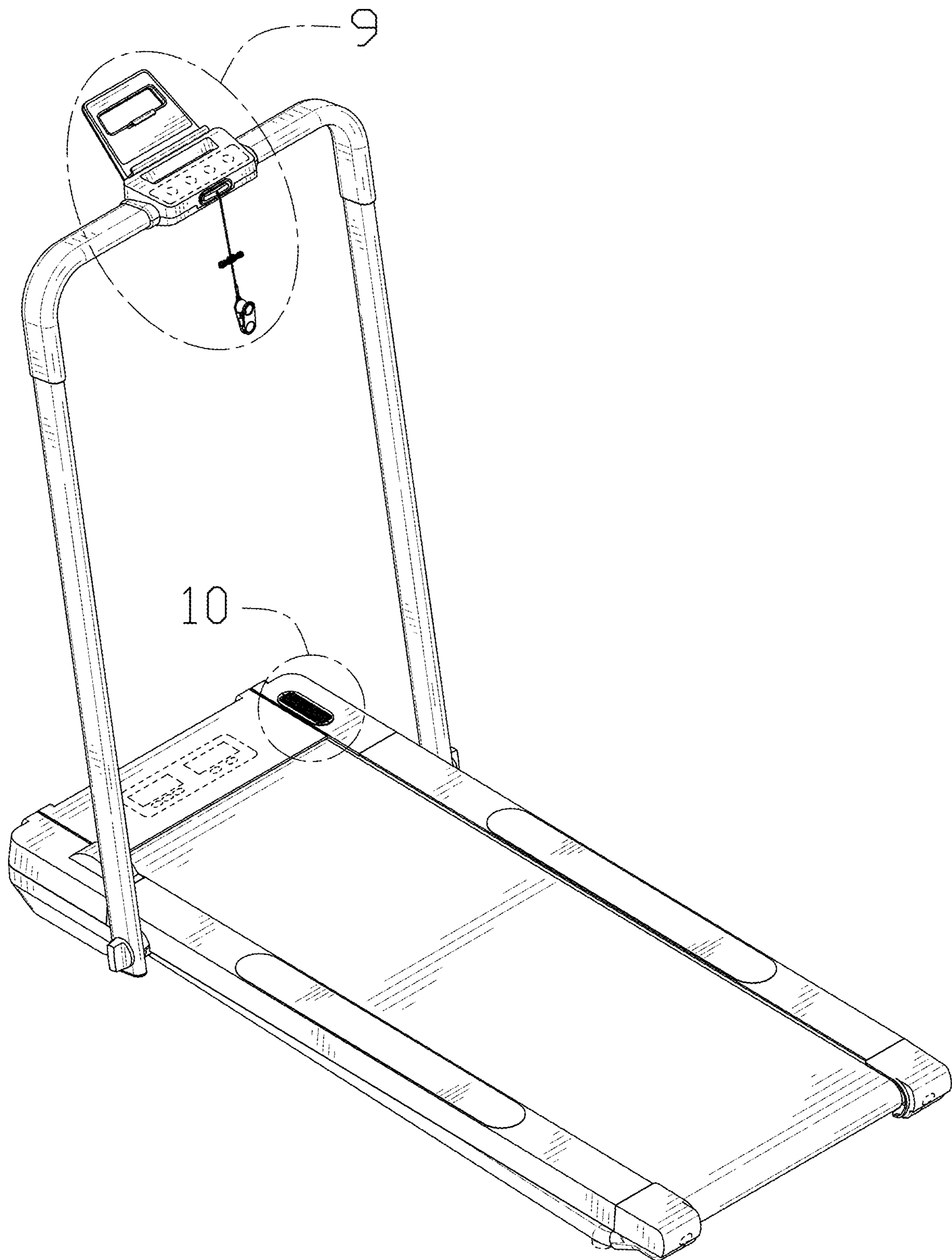


FIG. 1

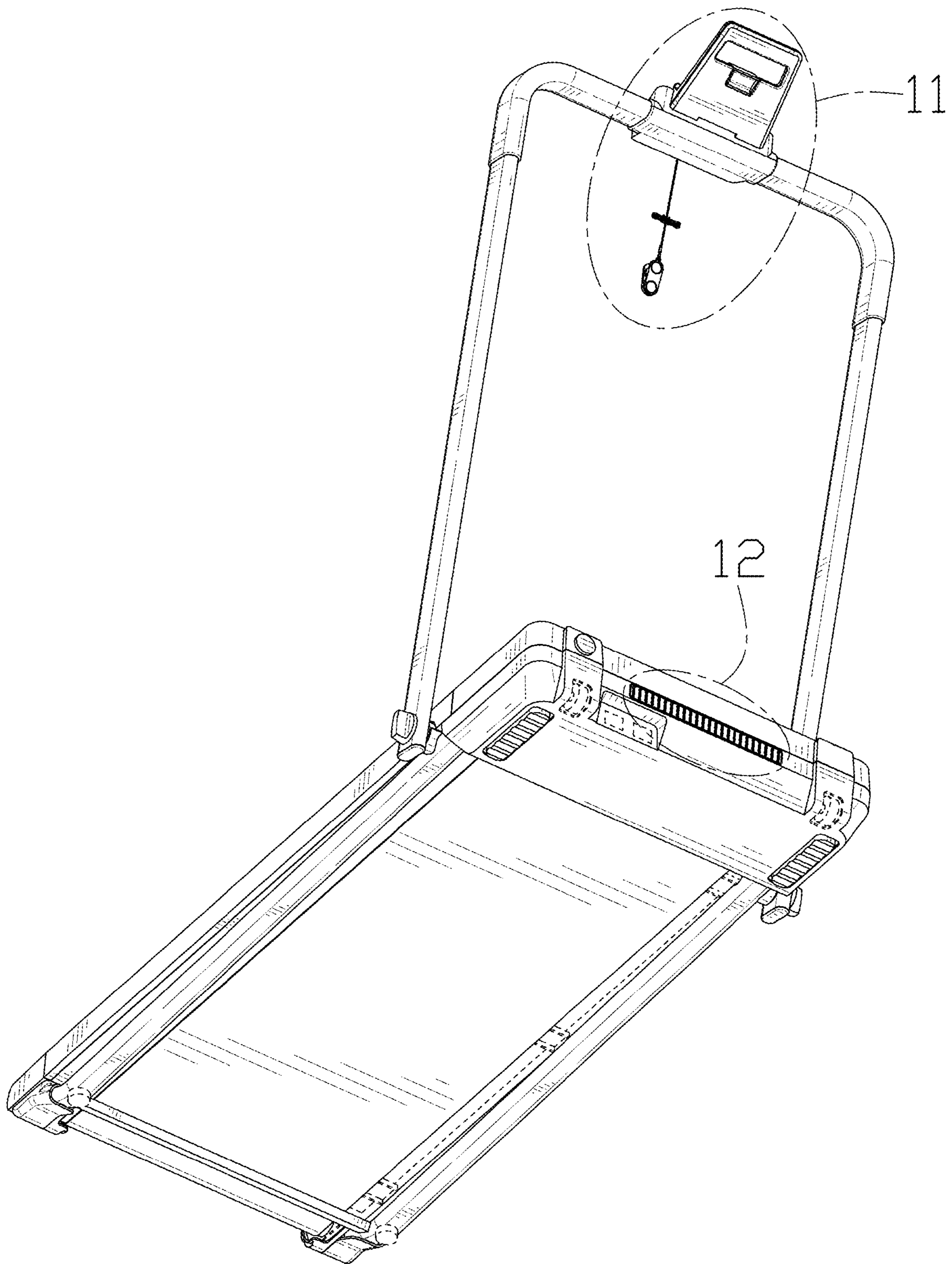


FIG. 2

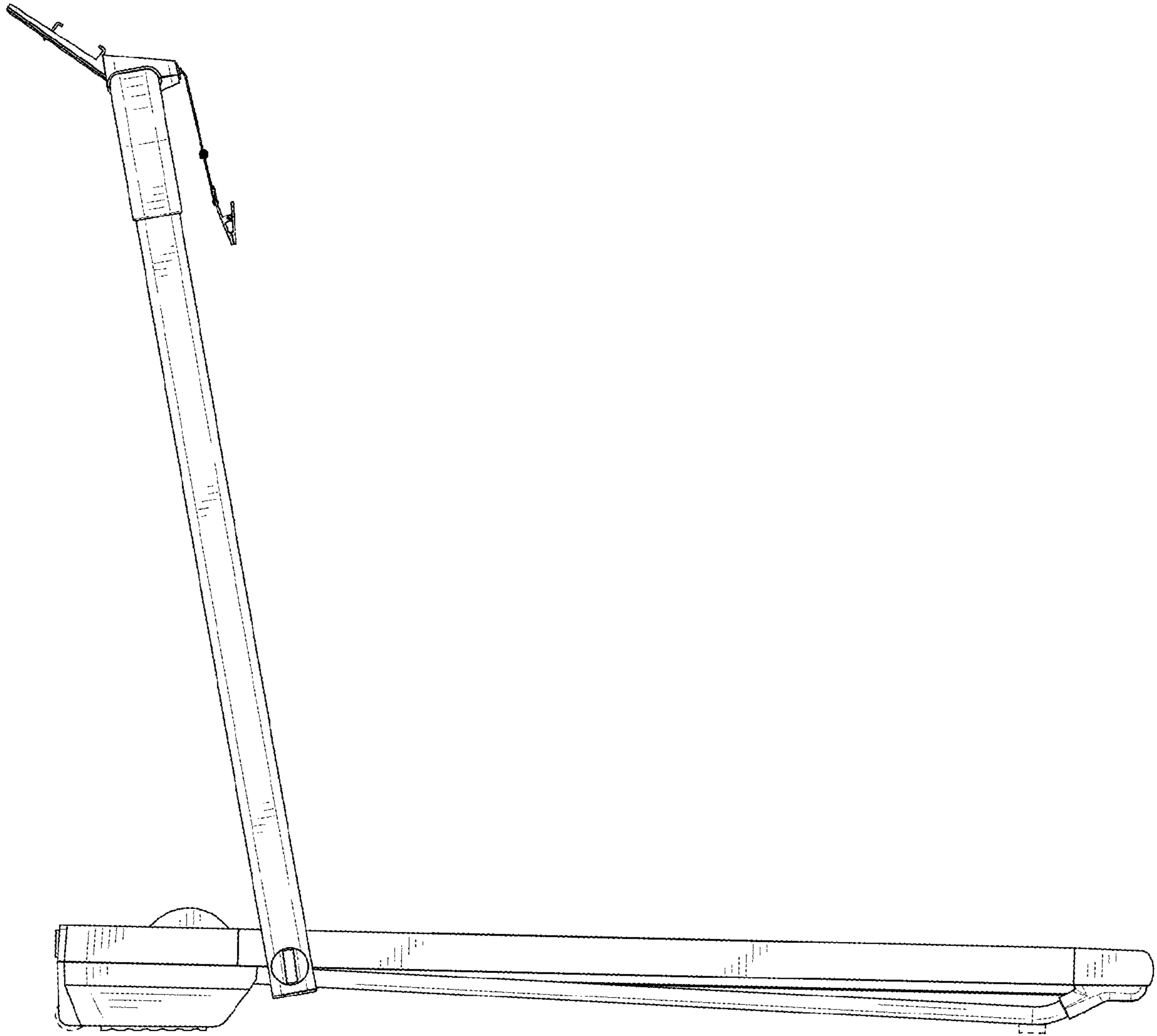


FIG. 3

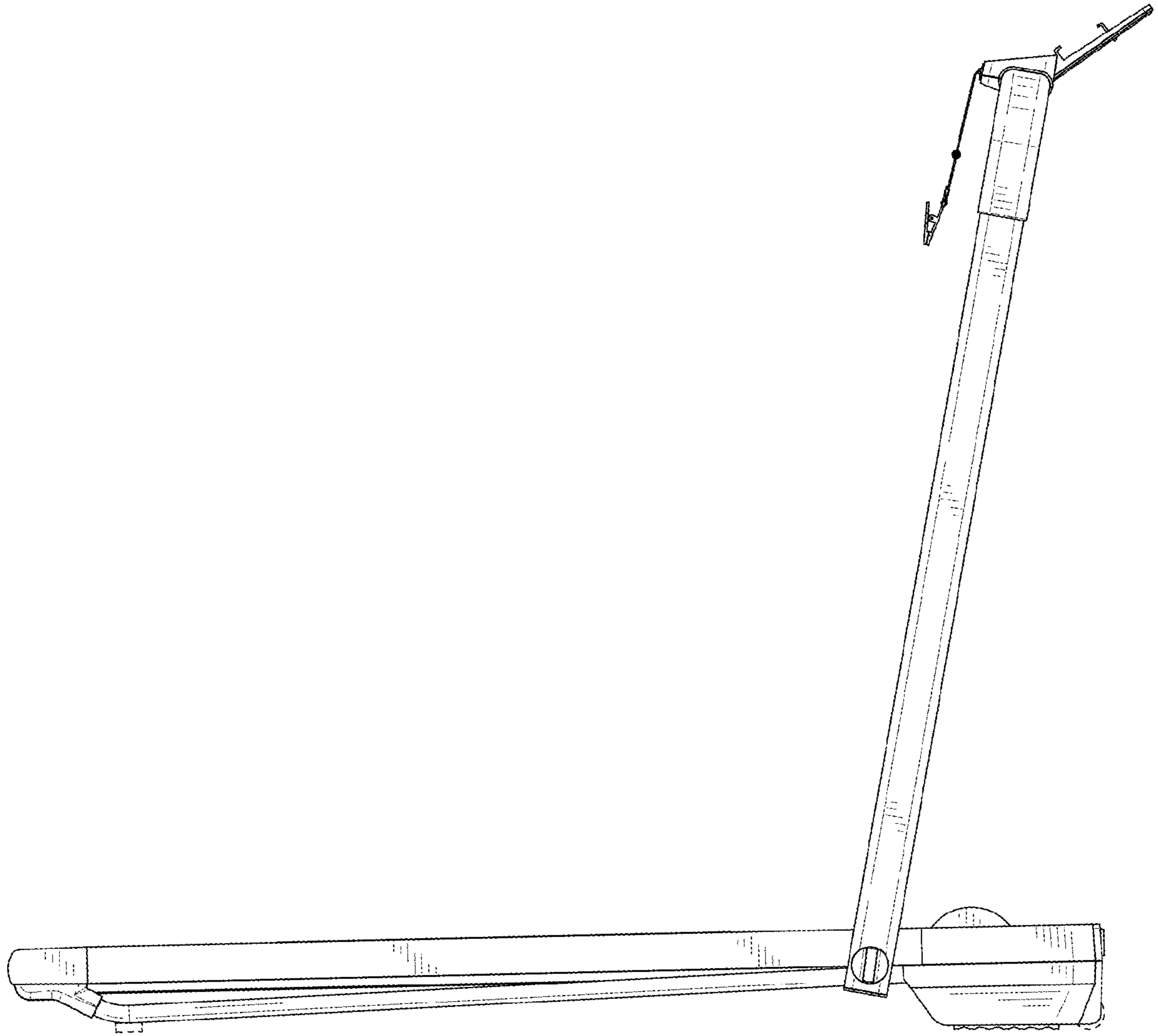


FIG. 4

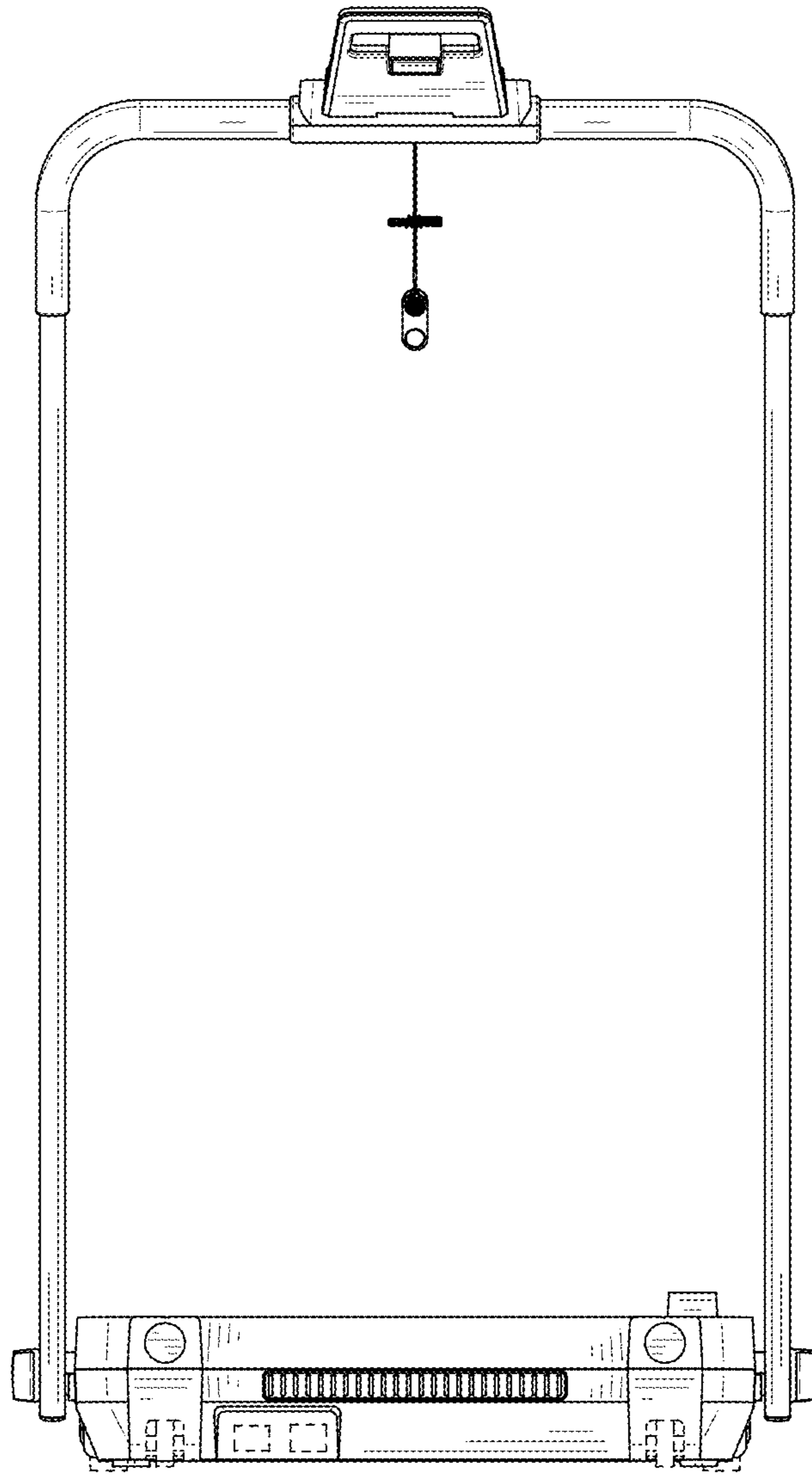


FIG. 5

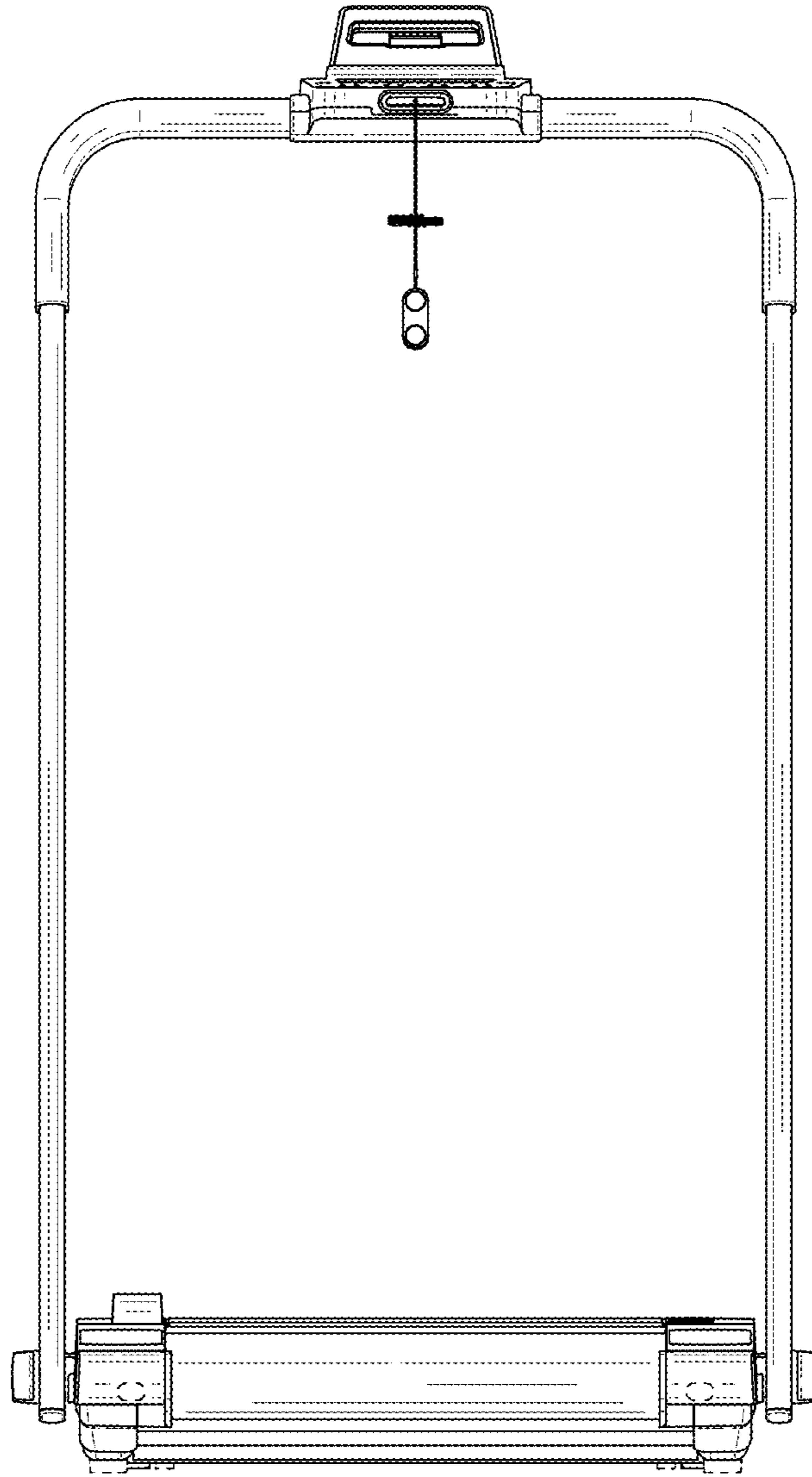


FIG. 6

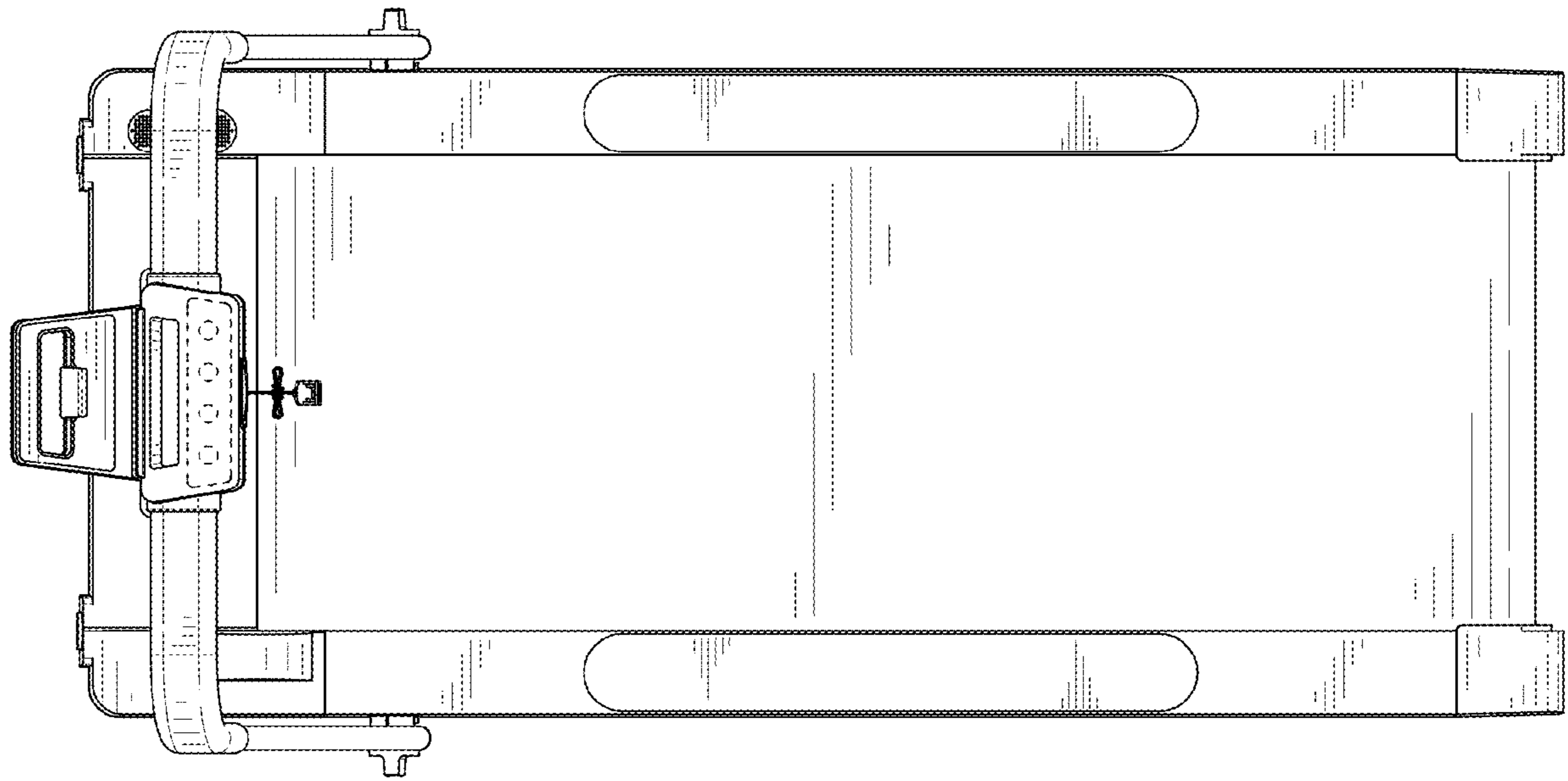


FIG. 7

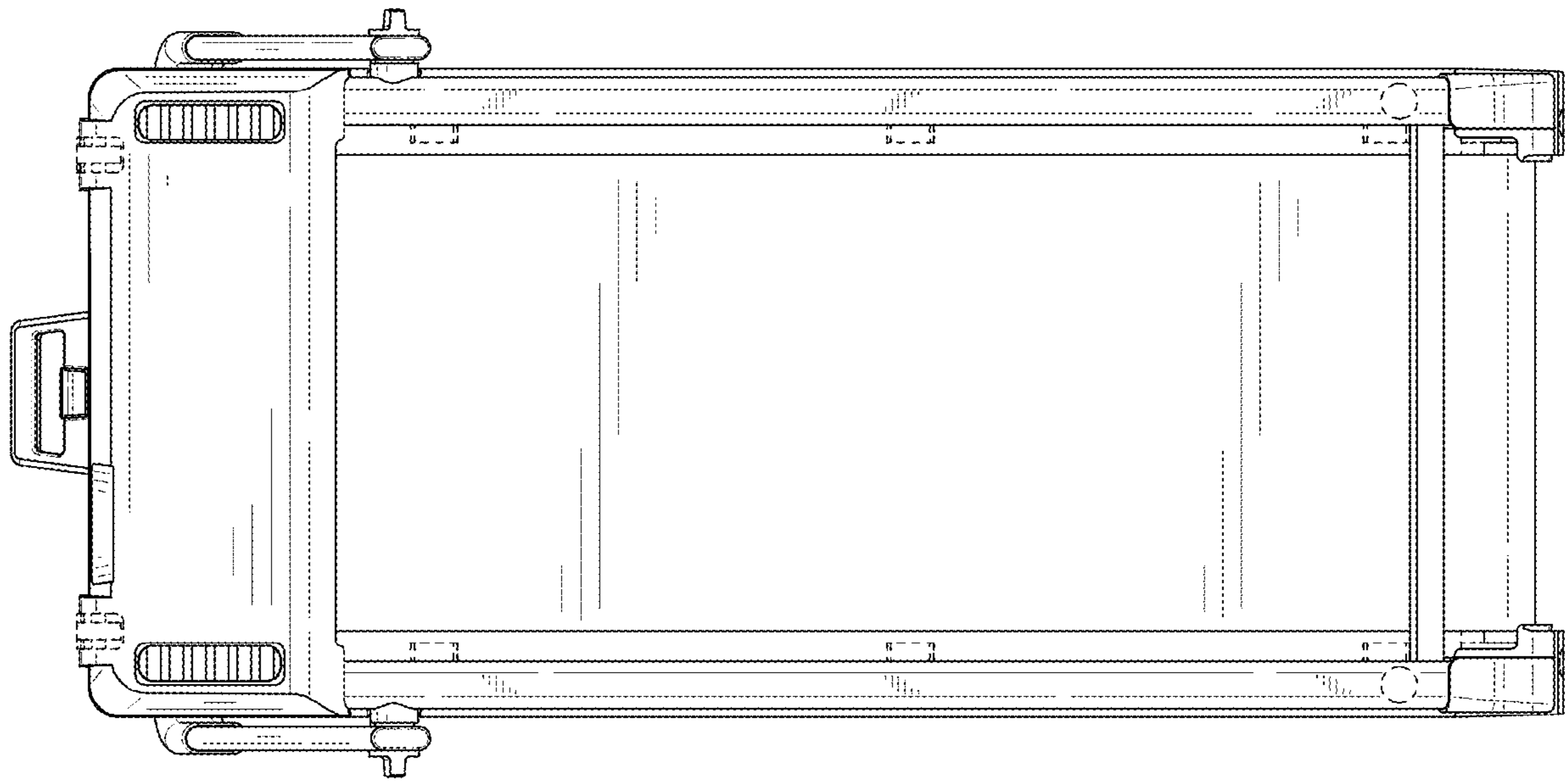


FIG. 8

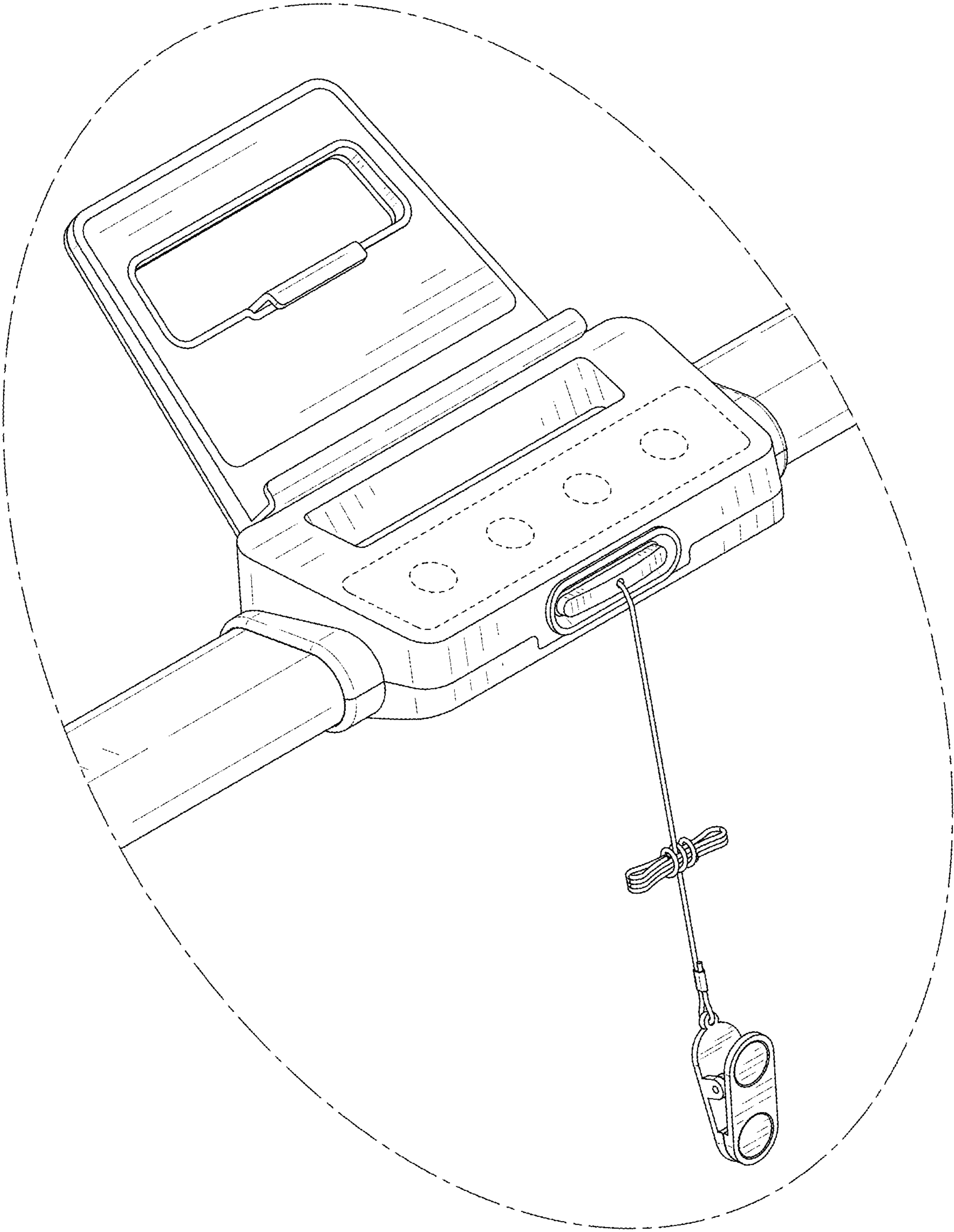


FIG. 9

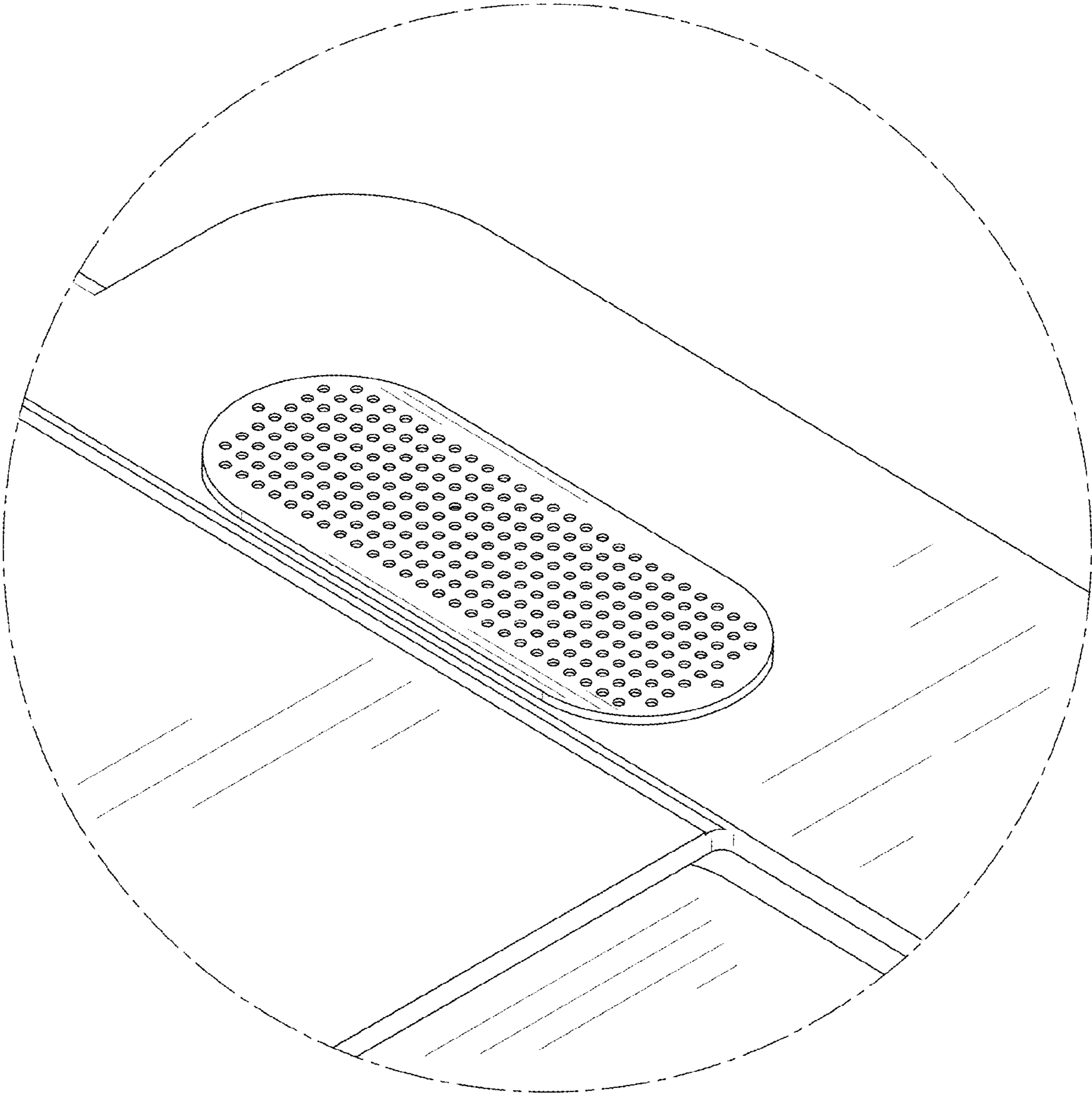


FIG. 10

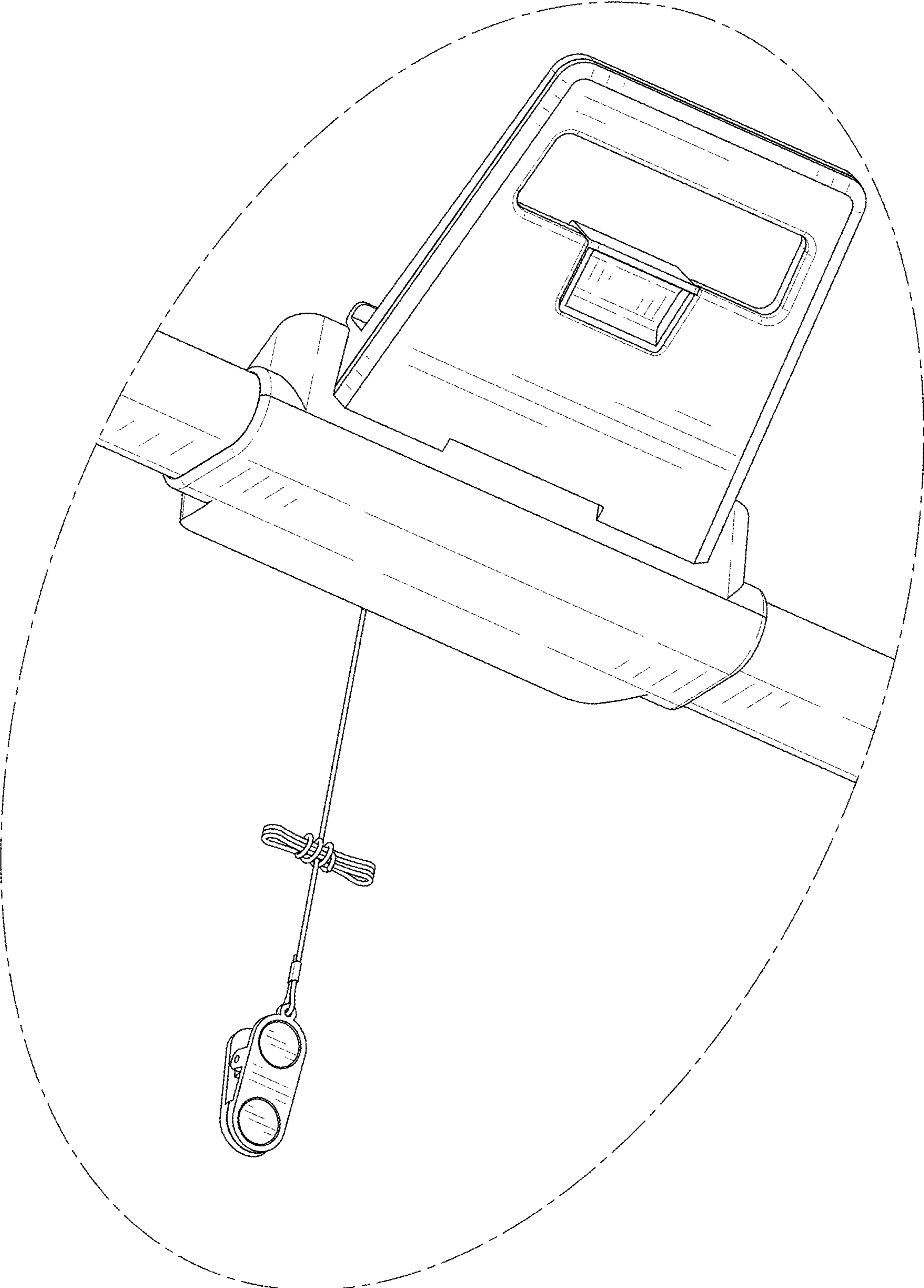


FIG. 11

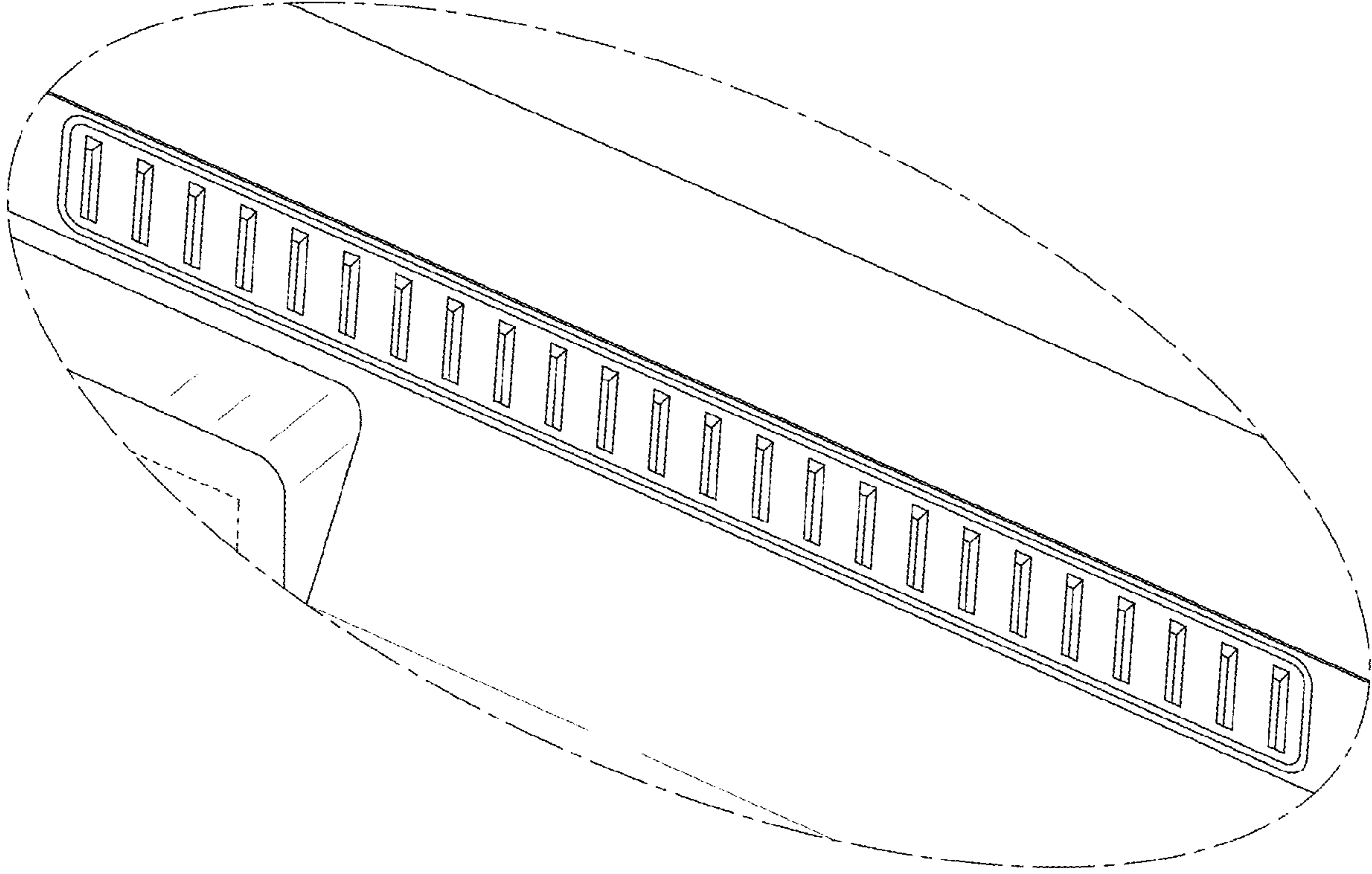


FIG. 12