



US00D926894S

(12) **United States Design Patent**  
**Huang**

(10) **Patent No.:** **US D926,894 S**

(45) **Date of Patent:** **\*\* Aug. 3, 2021**

(54) **ASTRONAUT HELMET TOY**  
(71) Applicant: **Joyin Inc.**, Tempe, AZ (US)  
(72) Inventor: **Liang Huang**, Tempe, AZ (US)  
(73) Assignee: **Joyin Inc.**, Tempe, AZ (US)  
(\*\*) Term: **15 Years**

D389,538 S \* 1/1998 Riis ..... D21/658  
D499,152 S \* 11/2004 Kreisner ..... D21/548  
D661,027 S \* 5/2012 Hodge ..... D29/107  
D696,466 S \* 12/2013 Silva ..... D29/107  
D739,899 S \* 9/2015 Atwater ..... D21/658  
D828,634 S \* 9/2018 Ikeda ..... D29/122  
D859,748 S \* 9/2019 Lee ..... D29/107

\* cited by examiner

*Primary Examiner* — Zenia I Bennett

(21) Appl. No.: **29/685,755**

(22) Filed: **Mar. 29, 2019**

(30) **Foreign Application Priority Data**

Dec. 13, 2018 (CN) ..... 201830723381.5

(51) **LOC (13) Cl.** ..... **21-01**

(52) **U.S. Cl.**  
USPC ..... **D21/658**

(58) **Field of Classification Search**  
USPC ..... D21/658, 659; D29/102–107; D2/891;  
D24/190–191  
CPC ..... A42B 3/00; A63B 71/10; A61F 11/008  
See application file for complete search history.

(56) **References Cited**

**U.S. PATENT DOCUMENTS**

D259,578 S \* 6/1981 Carreiro ..... D21/637  
D364,264 S \* 11/1995 Sheer ..... D2/869

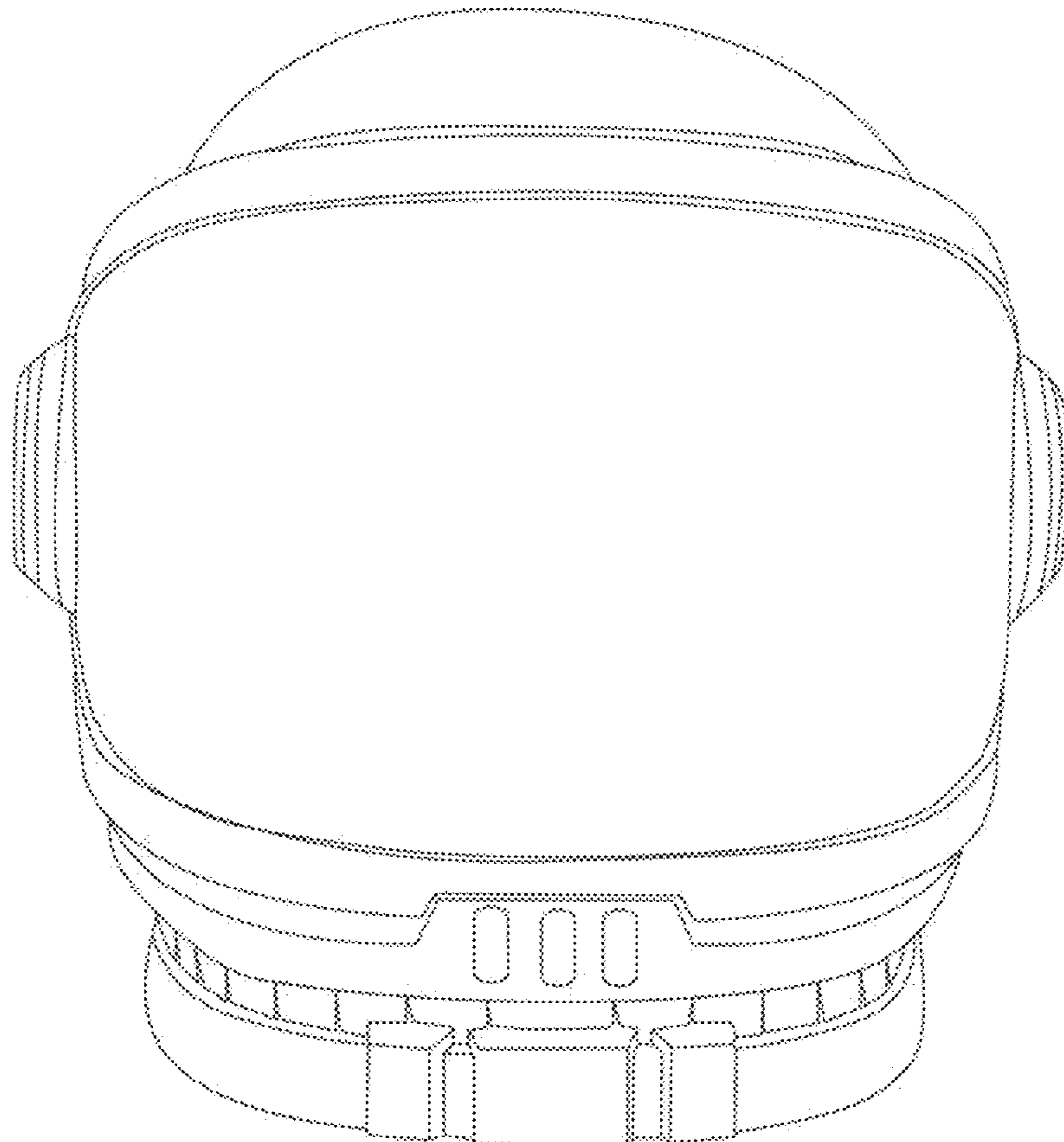
(57) **CLAIM**

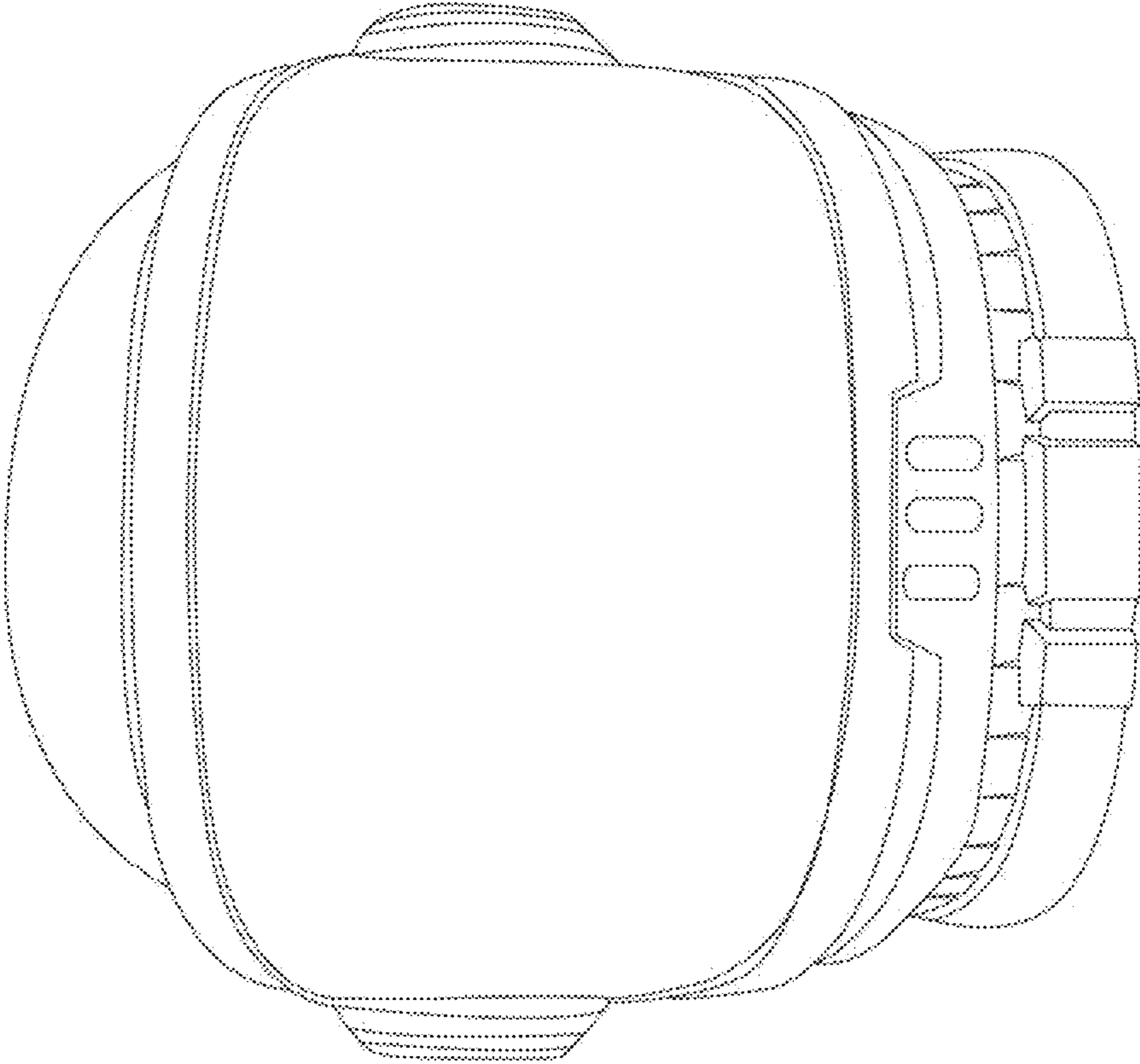
The ornamental design for an astronaut helmet toy, as shown and described.

**DESCRIPTION**

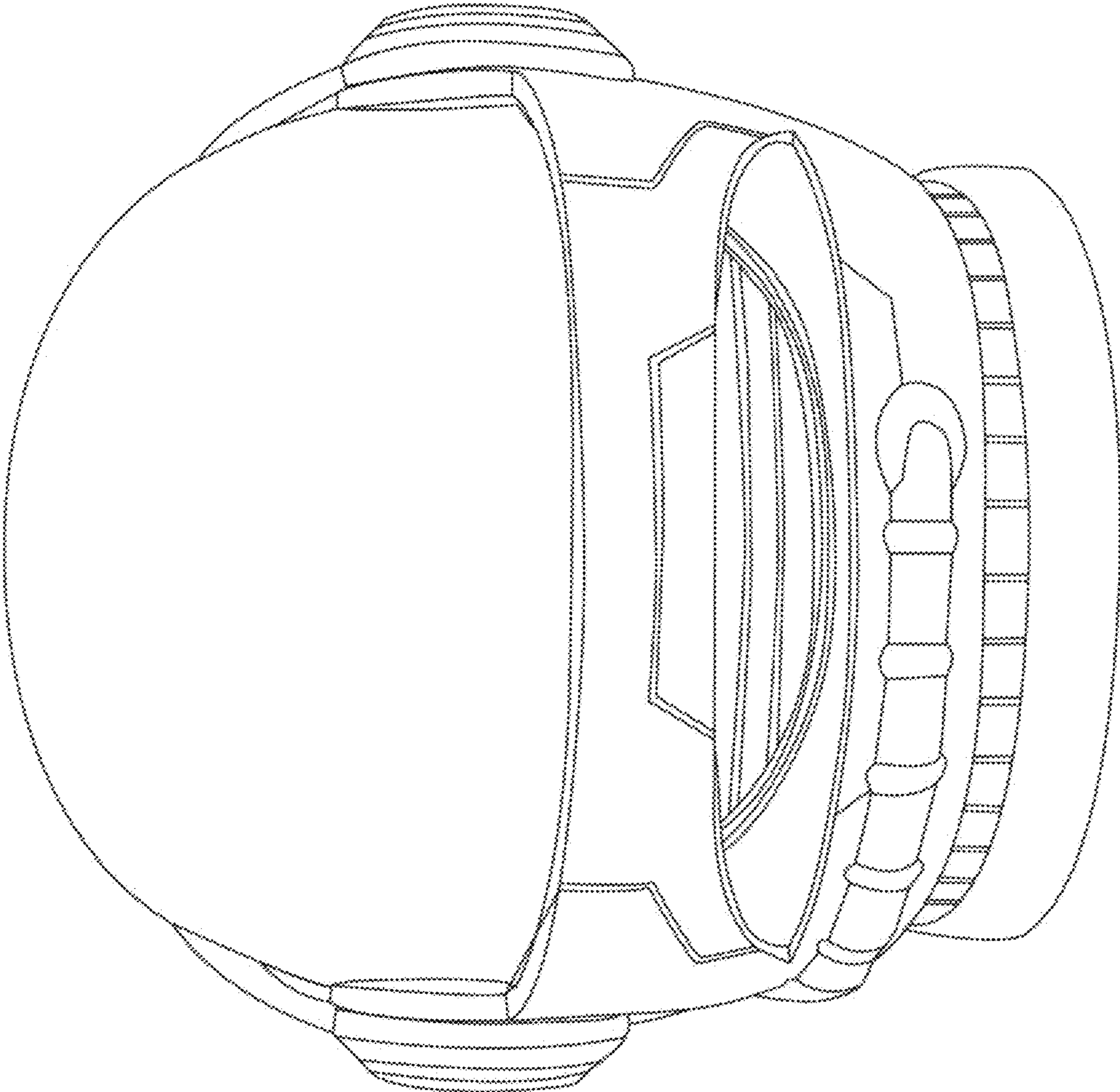
FIG. 1 is a front elevational view of an astronaut helmet toy, showing my new design;  
FIG. 2 is a rear elevational view thereof;  
FIG. 3 is a left side elevational view thereof;  
FIG. 4 is a right side elevational view thereof;  
FIG. 5 is a top plan view thereof;  
FIG. 6 is a bottom view thereof; and,  
FIG. 7 is a top and right side perspective view thereof.

**1 Claim, 7 Drawing Sheets**

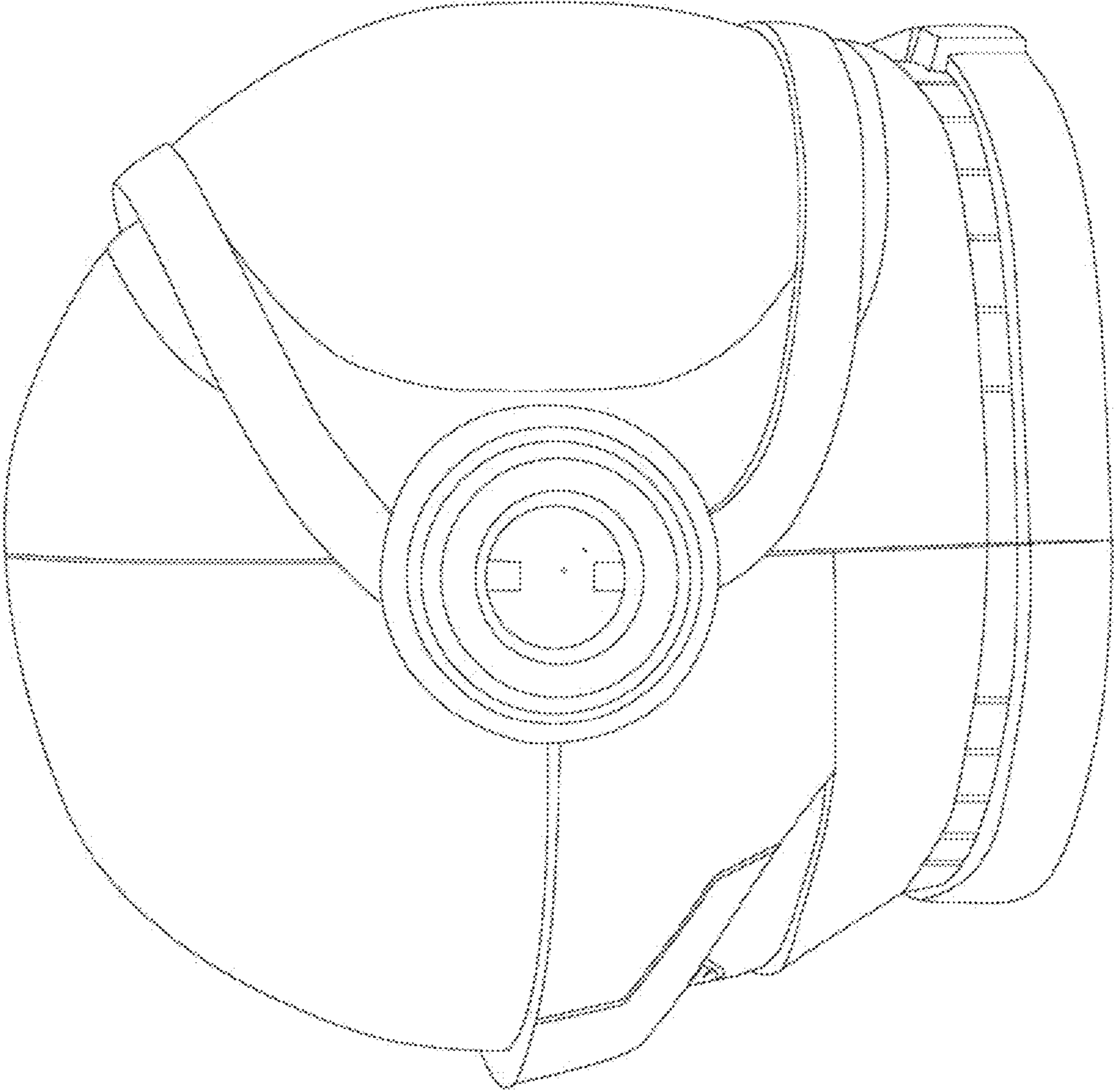




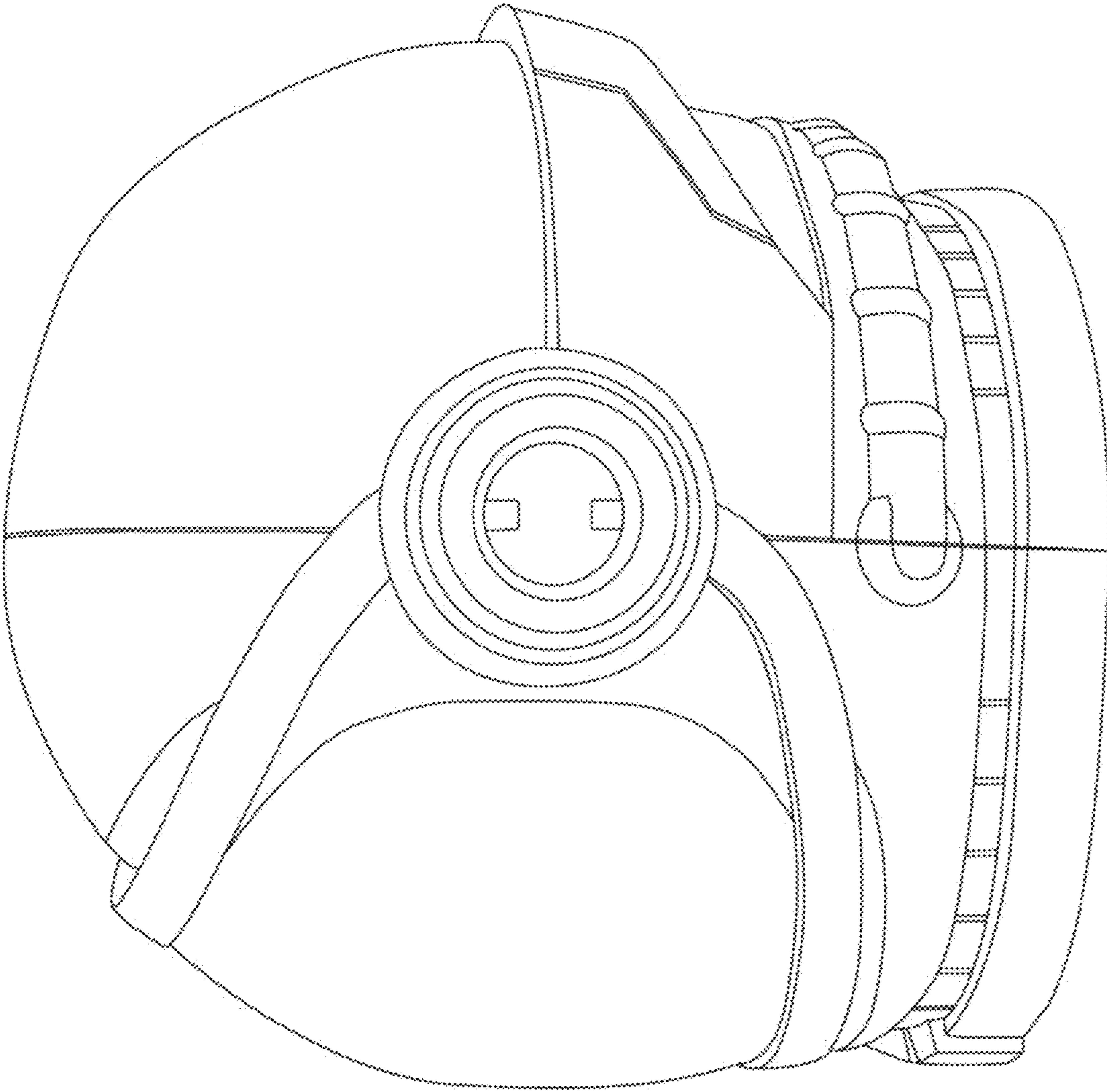
**FIG. 1**



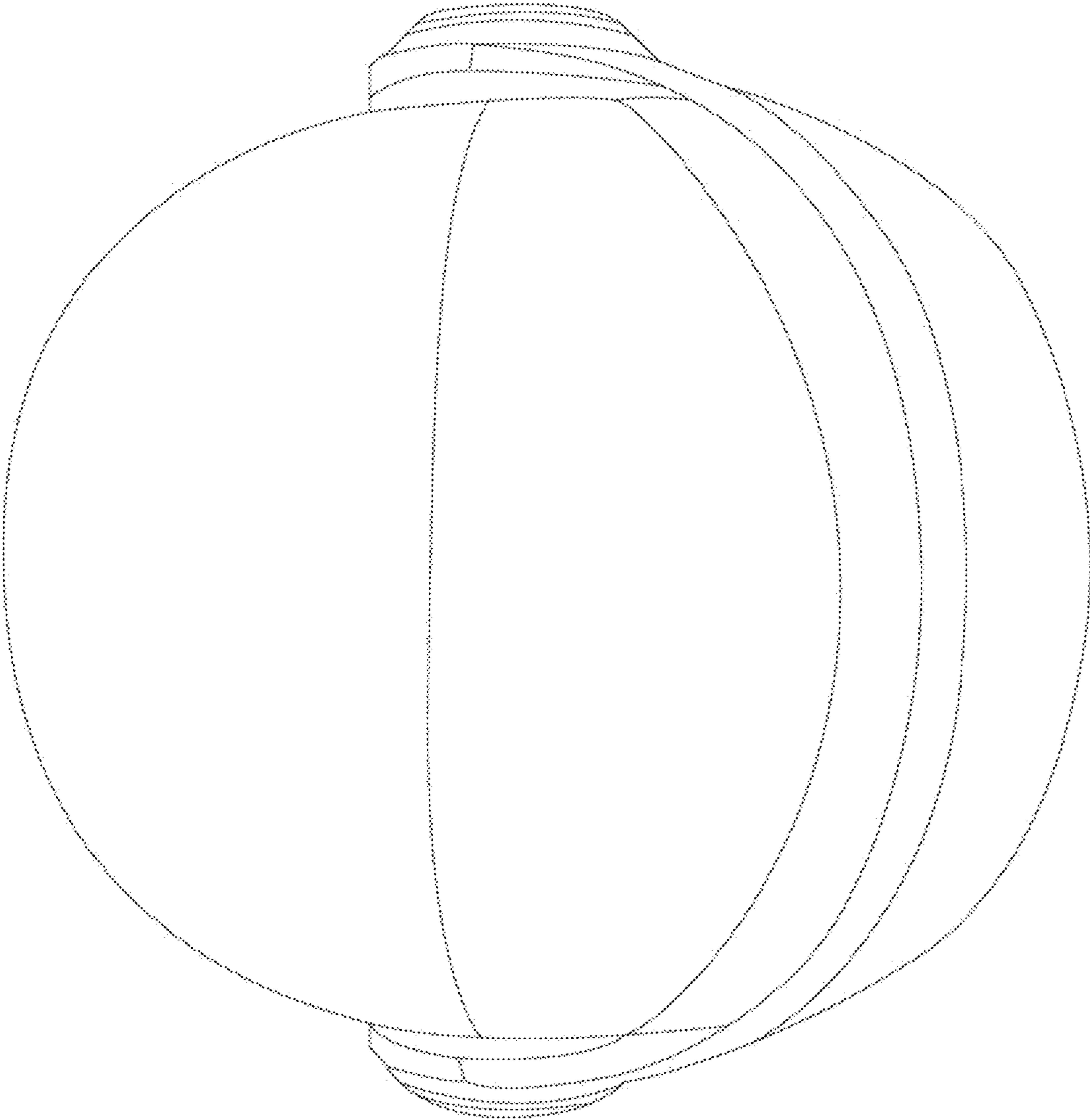
**FIG. 2**



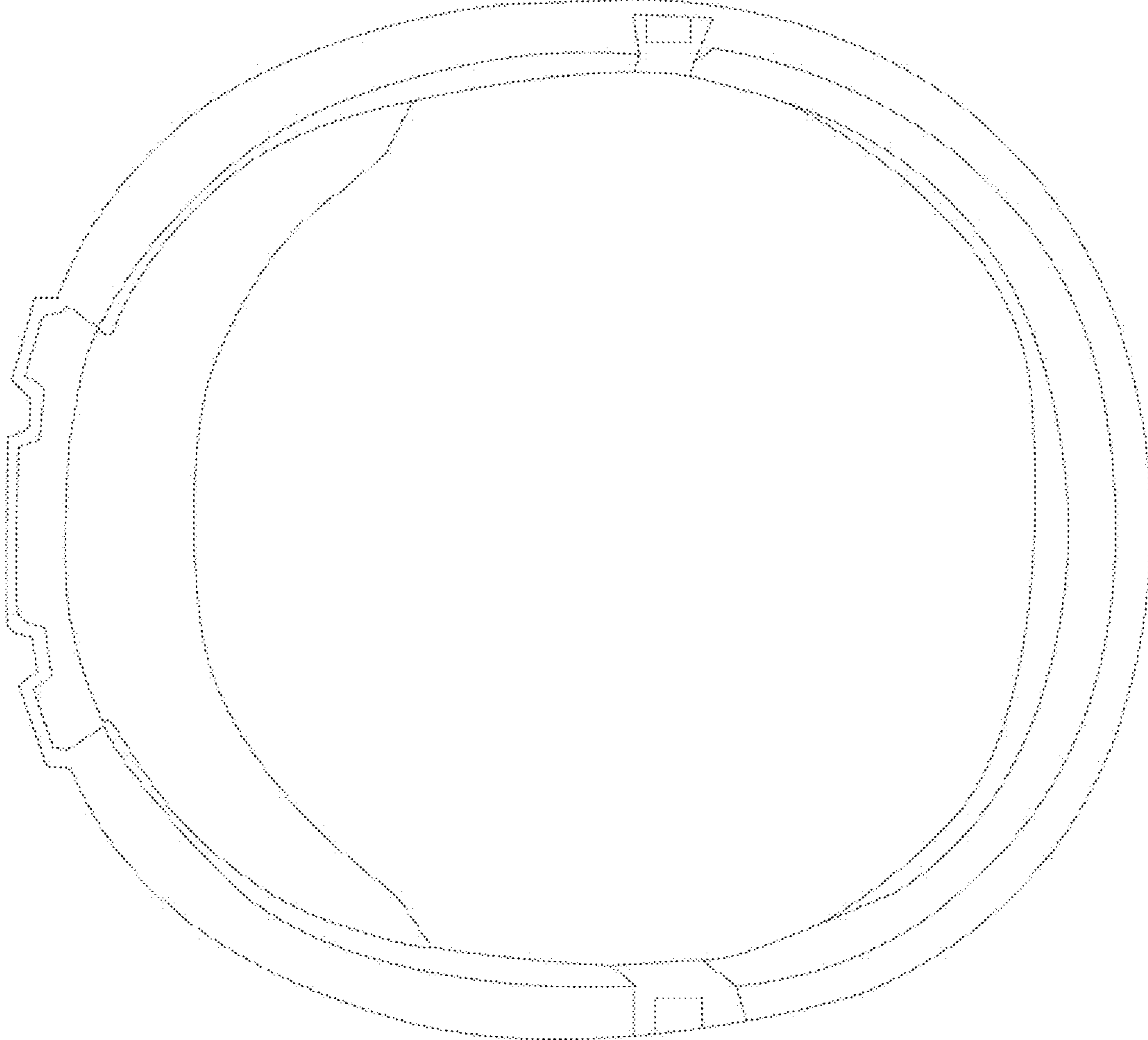
**FIG. 3**



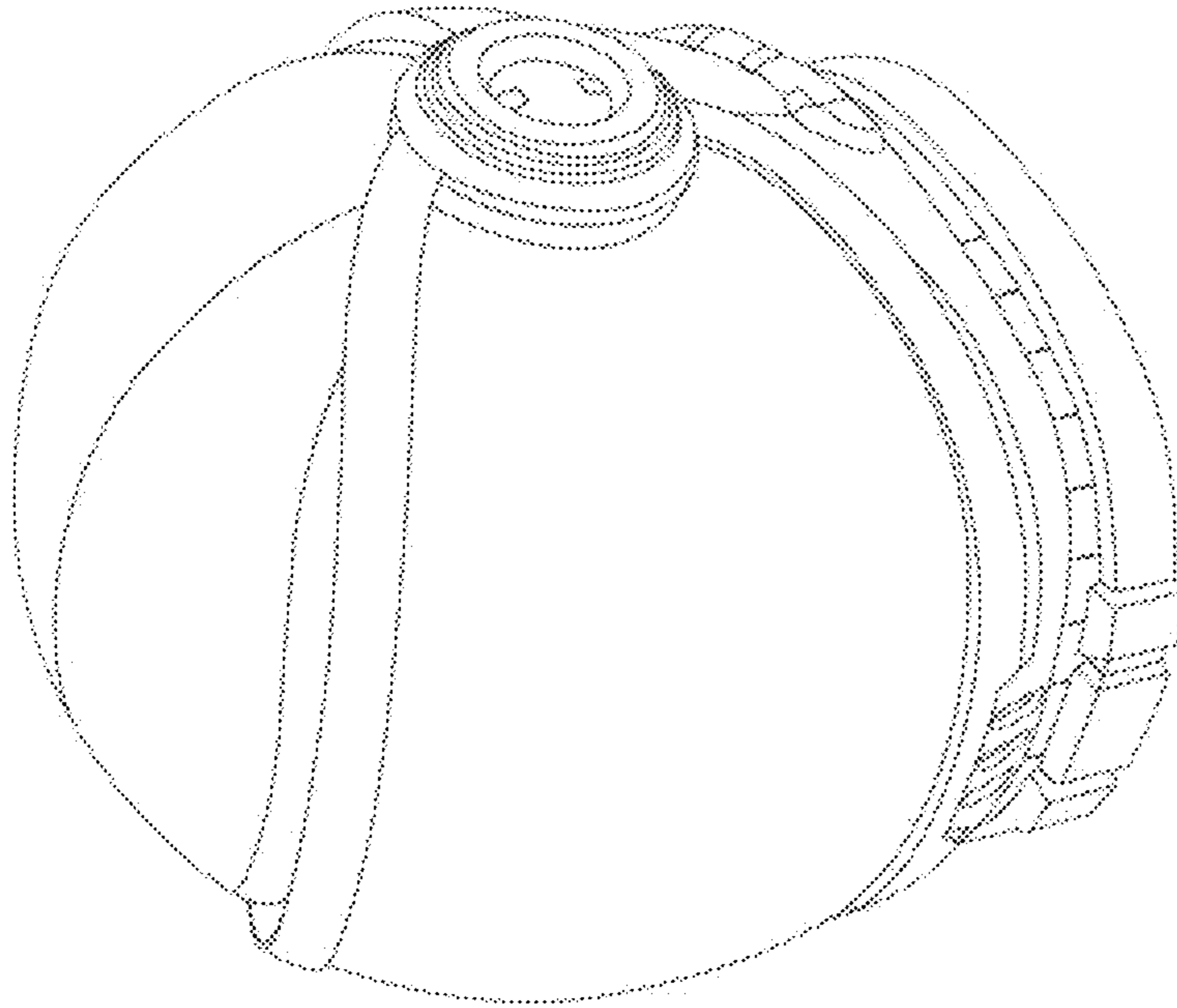
**FIG. 4**



**FIG. 5**



**FIG. 6**



**FIG. 7**