



US00D926892S

(12) **United States Design Patent**  
**Solomon et al.**

(10) **Patent No.:** **US D926,892 S**  
(45) **Date of Patent:** **\*\* Aug. 3, 2021**

(54) **VEHICLE TRACK**

(71) Applicant: **Tangible Play, Inc.**, Palo Alto, CA (US)

(72) Inventors: **Mark Solomon**, Palo Alto, CA (US);  
**Andrew Berwald**, Palo Alto, CA (US);  
**Jerome Scholler**, San Francisco, CA (US)

(73) Assignee: **Tangible Play, Inc.**, Palo Alto, CA (US)

(\*\*) Term: **15 Years**

(21) Appl. No.: **29/619,228**

(22) Filed: **Sep. 27, 2017**

(51) **LOC (13) Cl.** ..... **21-01**

(52) **U.S. Cl.**  
USPC ..... **D21/565**

(58) **Field of Classification Search**  
USPC ..... D21/484, 493, 495, 509, 564, 565  
(Continued)

(56) **References Cited**

U.S. PATENT DOCUMENTS

D305,676 S \* 1/1990 Ngai ..... D21/565  
D640,330 S \* 6/2011 Beauregard ..... D21/565  
(Continued)

OTHER PUBLICATIONS

Hot Wheels Fast & Furious Spy Racers Drag Race Toy Track with Launching Ramp Jul. 31, 2020, Amazon.com, Mar. 26, 2021: URL <https://www.amazon.com/Hot-Wheels-SPY-Racers-Track/dp/B07Y95476G/> (Year: 2020).\*

*Primary Examiner* — Jack Reickel

*Assistant Examiner* — Keith J Wilson

(74) *Attorney, Agent, or Firm* — VLP Law Group LLP;  
Michel Bohn

(57) **CLAIM**

The ornamental design for a vehicle track, as shown and described.

**DESCRIPTION**

FIG. 1 is a top perspective view of a vehicle track showing the new design.

FIG. 2 is a bottom perspective view of the vehicle track showing the new design.

FIG. 3 is a top perspective view of the vehicle track showing the new design.

FIG. 4 is a top view of the vehicle track showing the new design.

FIG. 5 is a bottom view of the vehicle track showing the new design.

FIG. 6 is a left side view of the vehicle track showing the new design (a right side view being a mirror image of the left side view).

FIG. 7 is a right side view of the vehicle track showing the new design (a left side view being a mirror image of the right side view).

FIG. 8 is a front view of the vehicle track showing the new design.

FIG. 9 is a rear view of the vehicle track showing the new design.

FIG. 10 is a front view of the vehicle track showing the new design.

FIG. 11 is a top perspective view of the vehicle track showing the new design.

FIG. 12 is a top perspective view of a vehicle track showing the new design.

FIG. 13 is a bottom perspective view of a vehicle track showing the new design.

FIG. 14 is a top perspective view of a vehicle track showing the new design.

FIG. 15 is a top view of the vehicle track showing the new design.

(Continued)

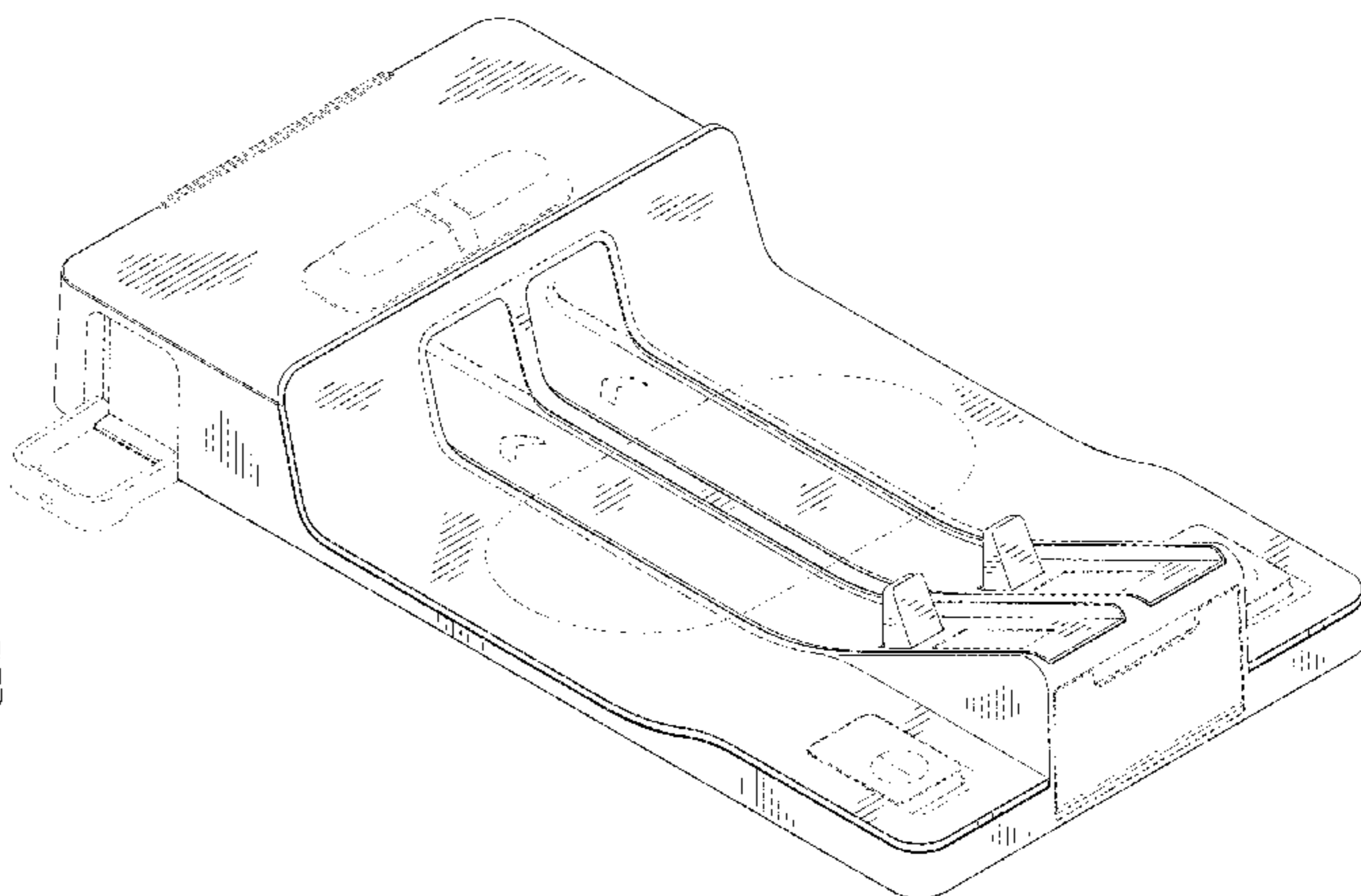
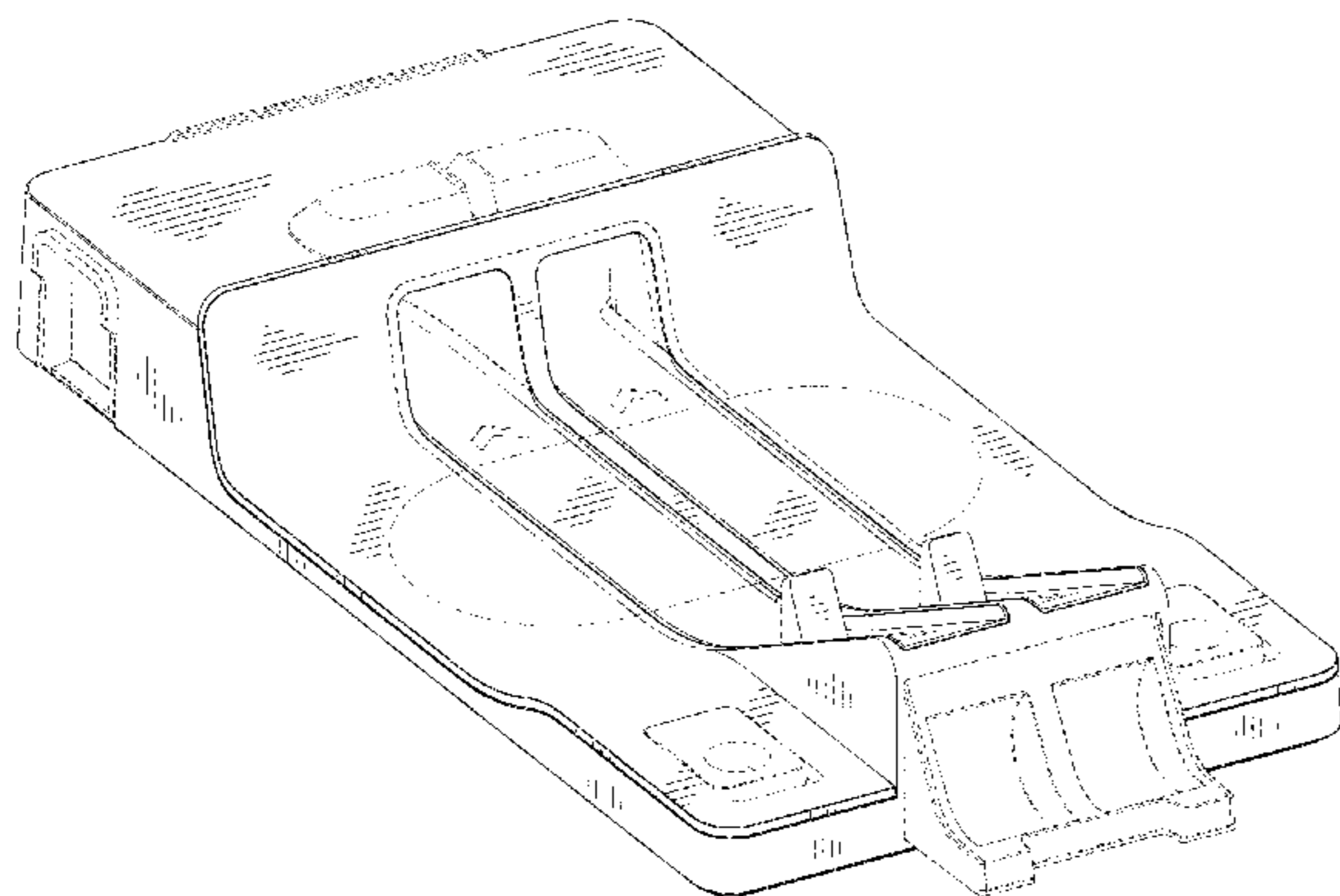


FIG. 16 is a bottom view of the vehicle track showing the new design.

FIG. 17 is a left side view of the vehicle track showing the new design (a right side view being a mirror image of the left side view).

FIG. 18 is a right side view of the vehicle track showing the new design (a right side view being a mirror image of the left side view).

FIG. 19 is a front view of the vehicle track showing the new design.

FIG. 20 is a rear view of the vehicle track showing the new design.

FIG. 21 is a front view of the vehicle track showing the new design; and,

FIG. 22 is a top perspective view of the vehicle track showing the new design.

Within the drawings, the broken lines in FIGS. 1-10 and 12-21 represent portions of a vehicle track and form no part of the claimed design. The broken lines in FIGS. 11 and 22

include broken line environment in addition to the portion of a vehicle track and form no part of the claimed design.

**1 Claim, 18 Drawing Sheets**

(58) **Field of Classification Search**

CPC ..... A63H 18/00; A63H 18/026; A63H 18/028  
See application file for complete search history.

(56)

**References Cited**

U.S. PATENT DOCUMENTS

D642,634	S	*	8/2011	Schlegel .....	D21/565
D669,543	S	*	10/2012	Wiseman .....	D21/565
D682,363	S	*	5/2013	Lowe .....	D21/565
D689,144	S	*	9/2013	Mimlitch, III .....	D21/565
D878,485	S	*	3/2020	Balanchi .....	D21/565
D886,212	S	*	6/2020	Marko .....	D21/565
D906,441	S	*	12/2020	Balanchi .....	D21/565
2020/0330886	A1	*	10/2020	Kelliher .....	A63H 19/30
2020/0360828	A1	*	11/2020	Han .....	A63H 17/008

\* cited by examiner

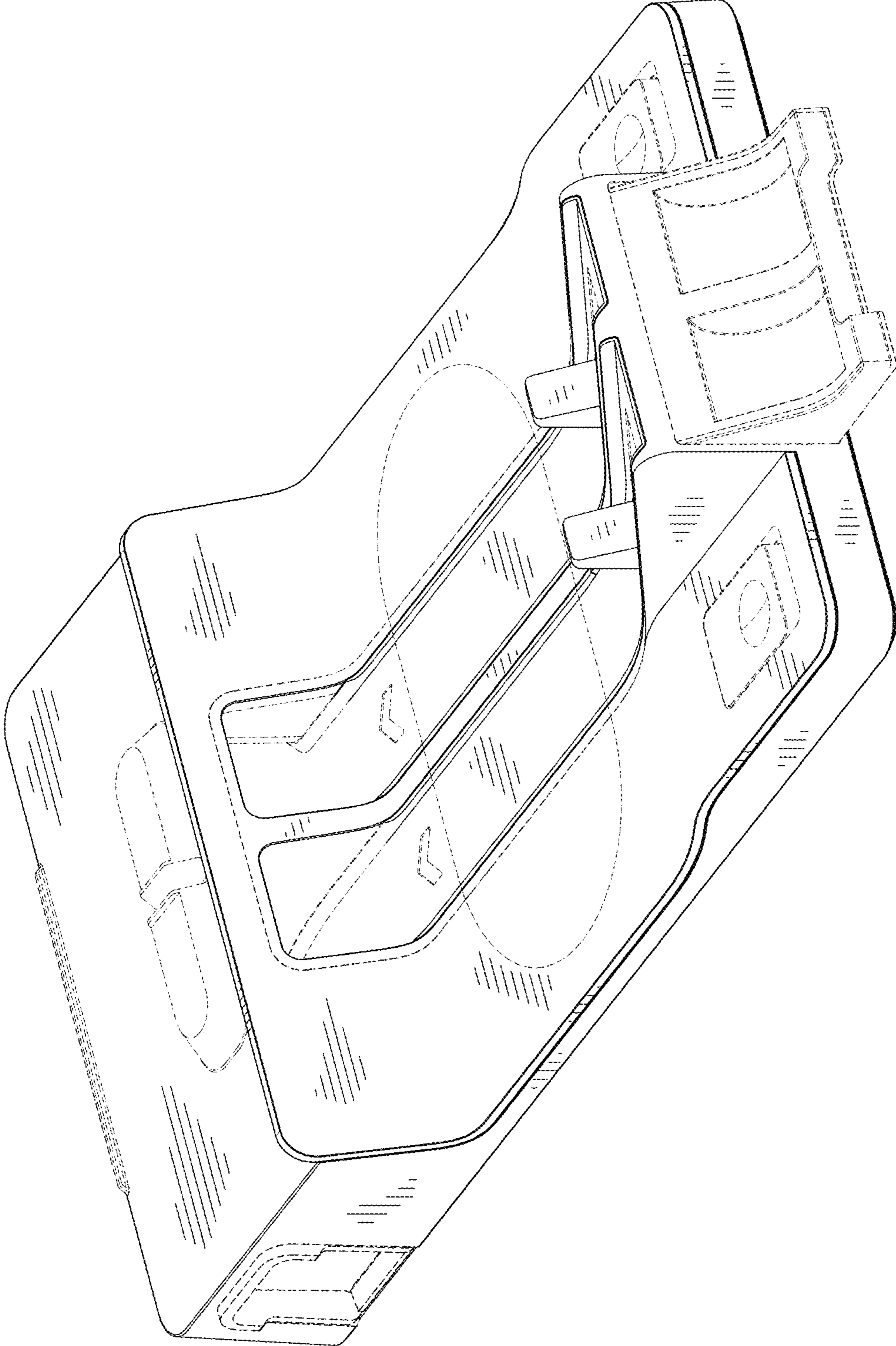


FIG. 1



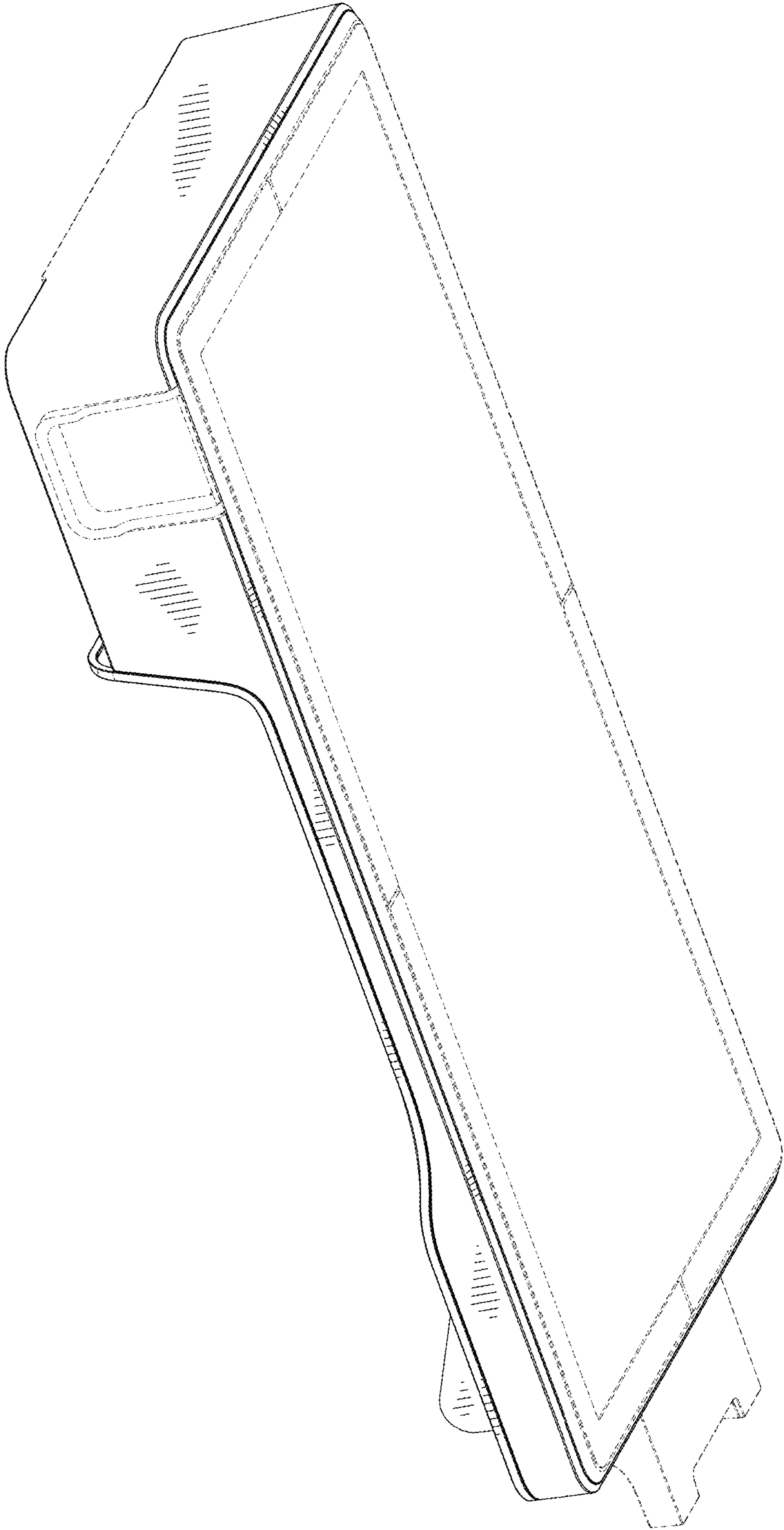


FIG. 2

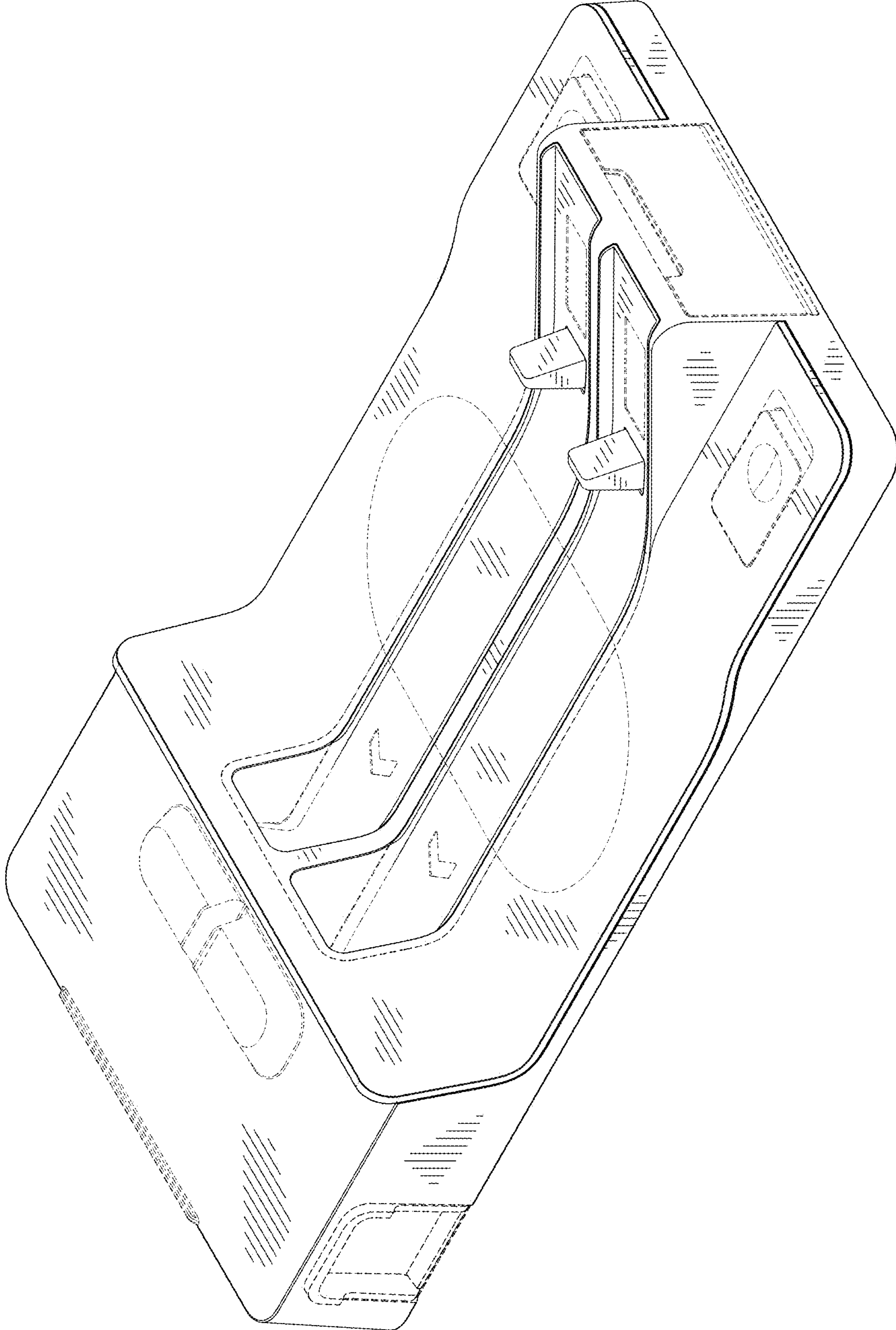


FIG. 3

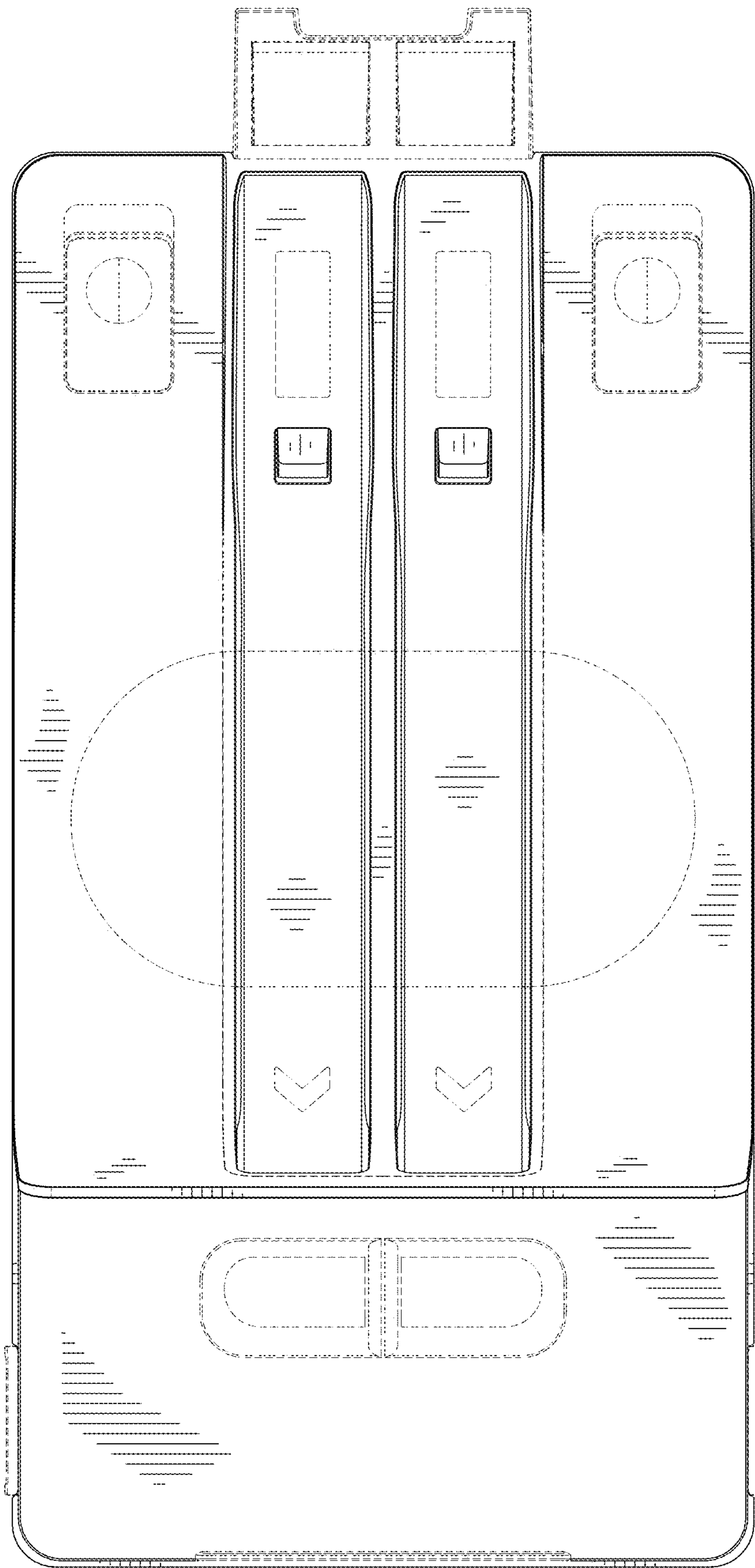


FIG. 4

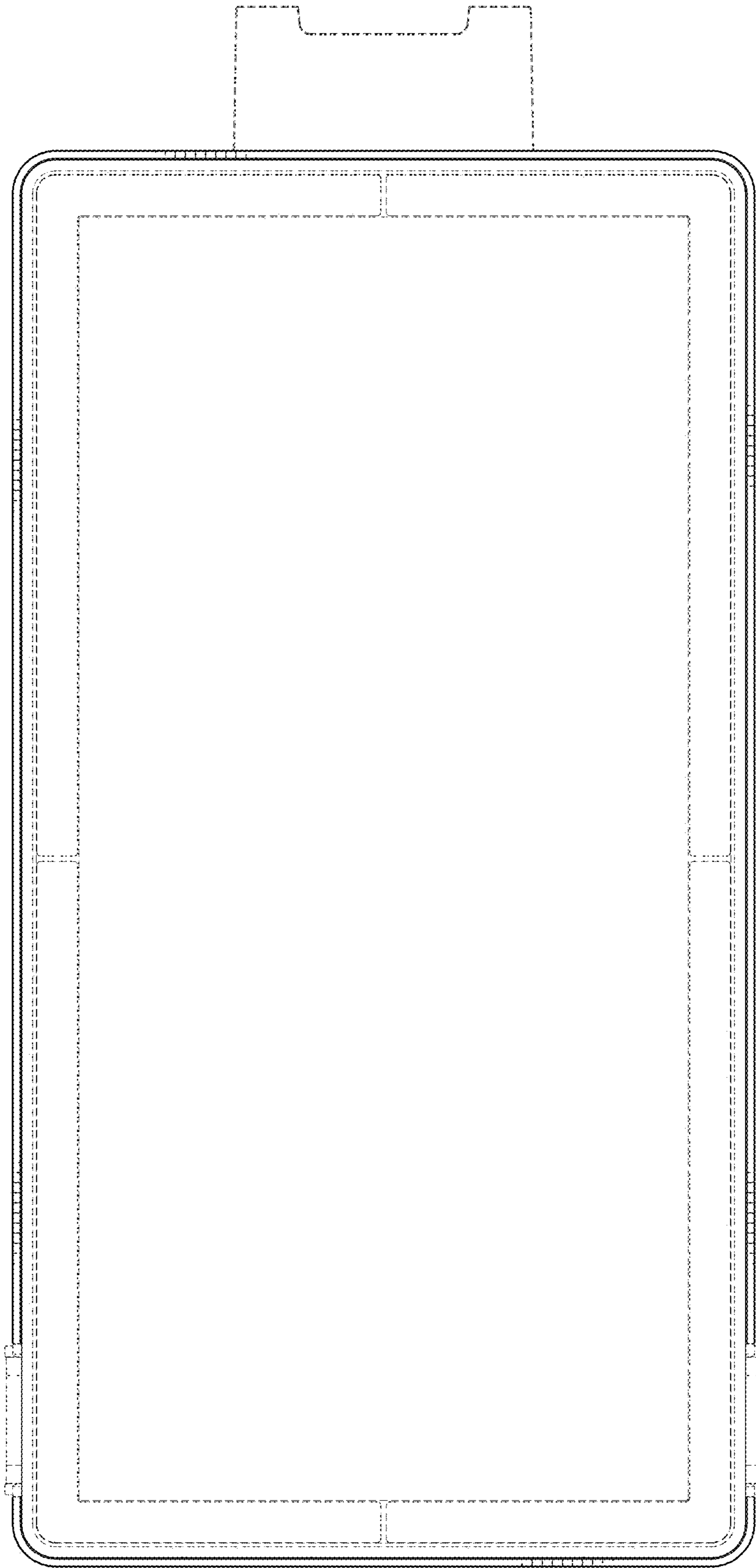


FIG. 5



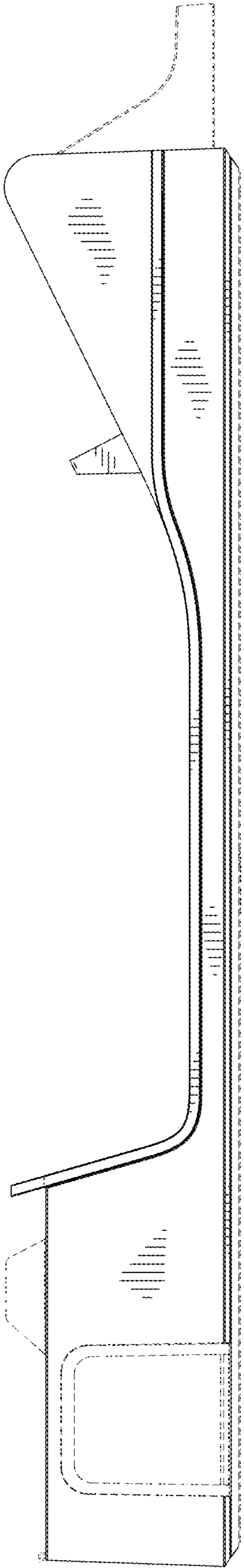


FIG. 6

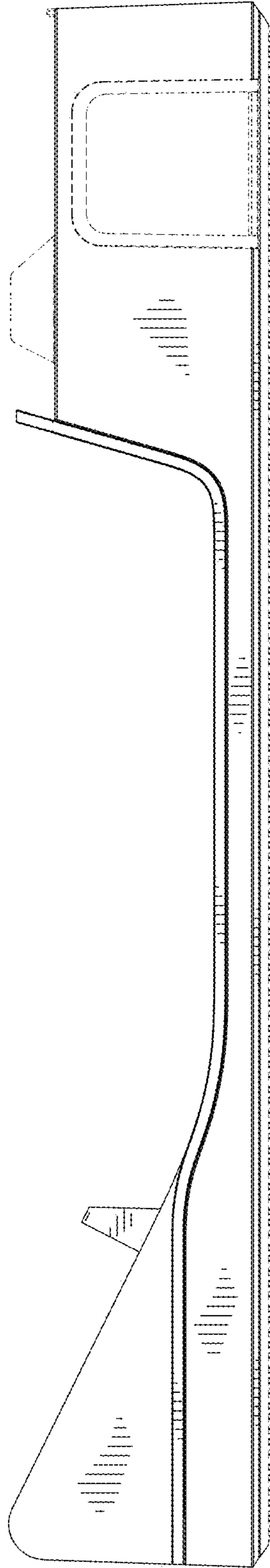


FIG. 7



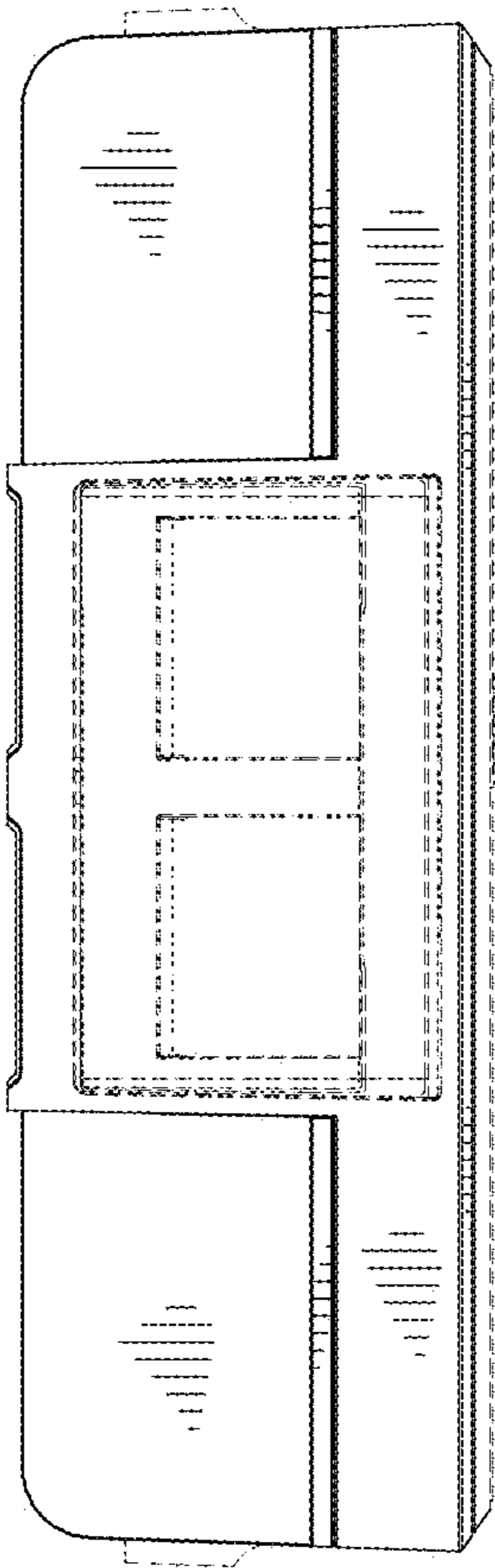


FIG. 8

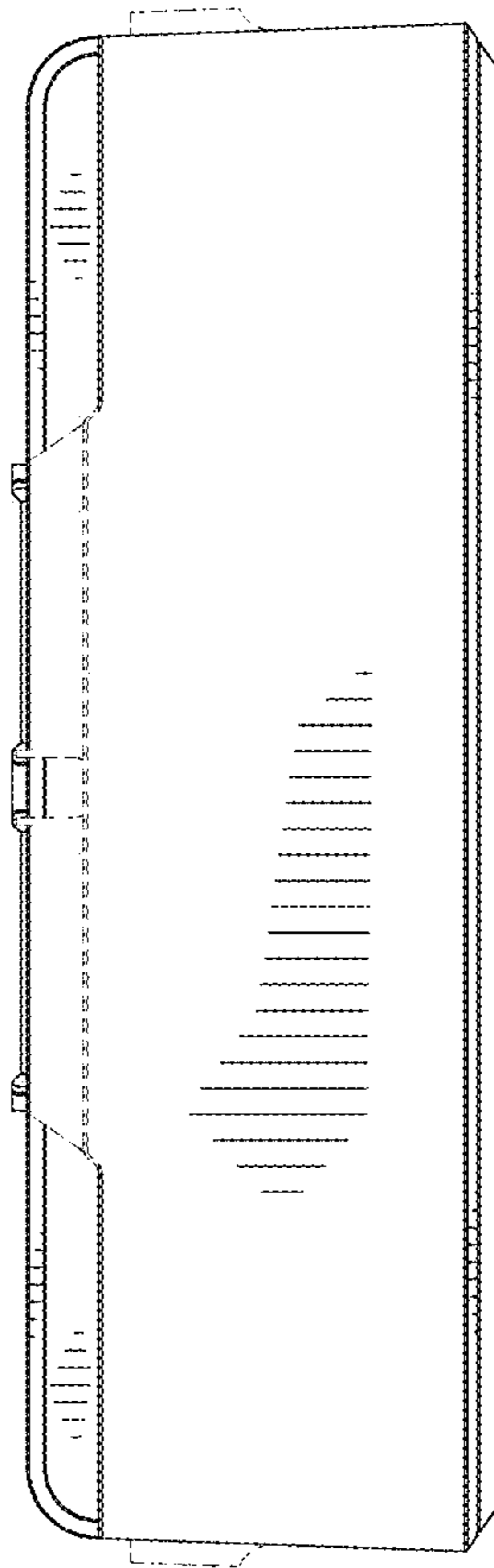


FIG. 9

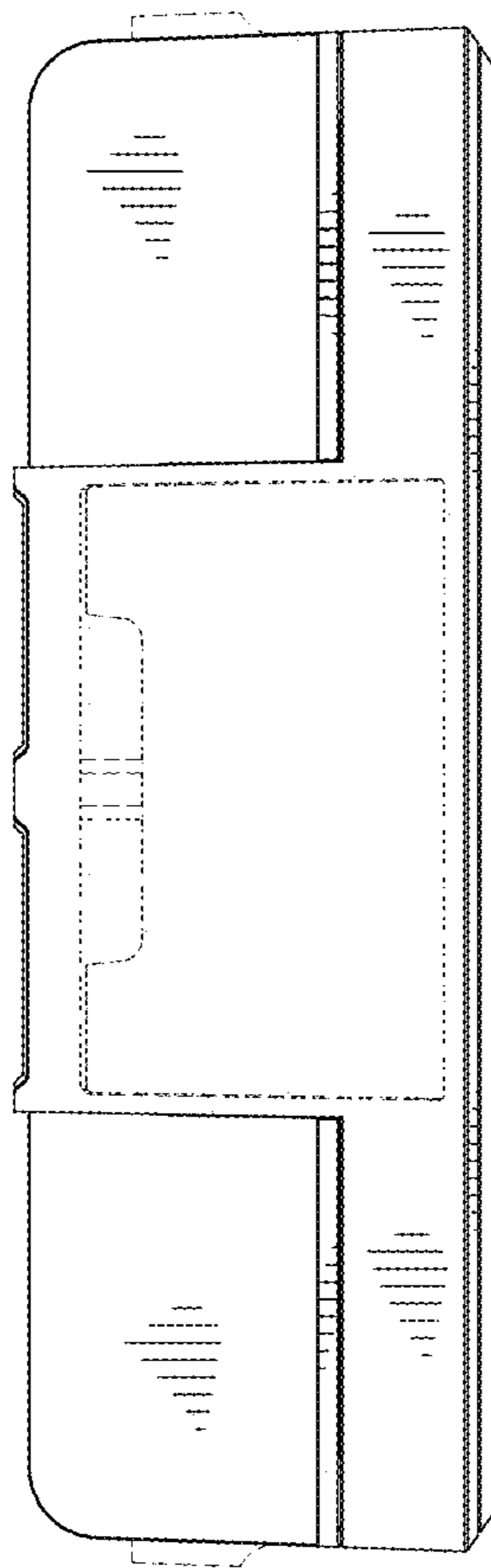


FIG. 10

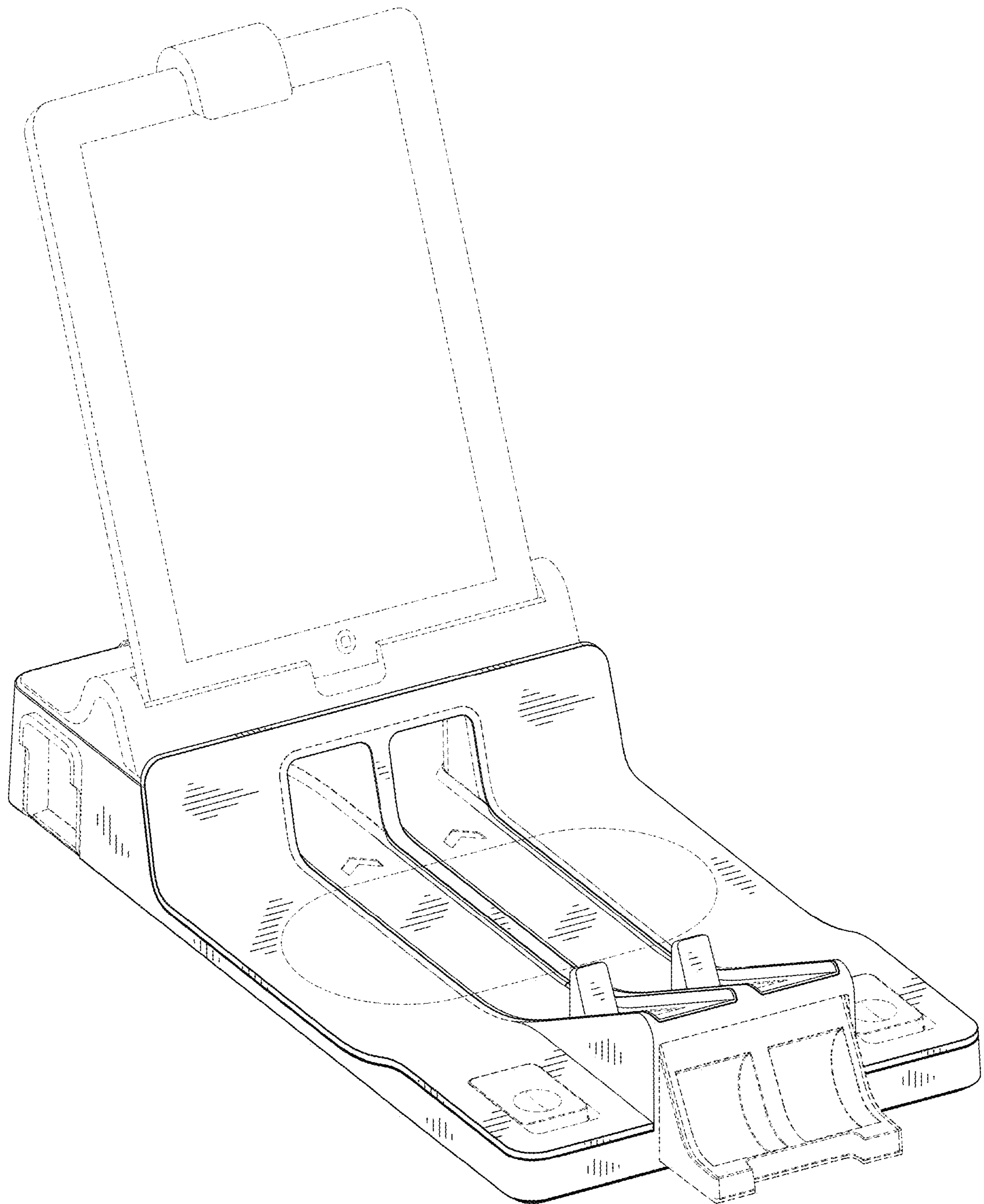


FIG. 11

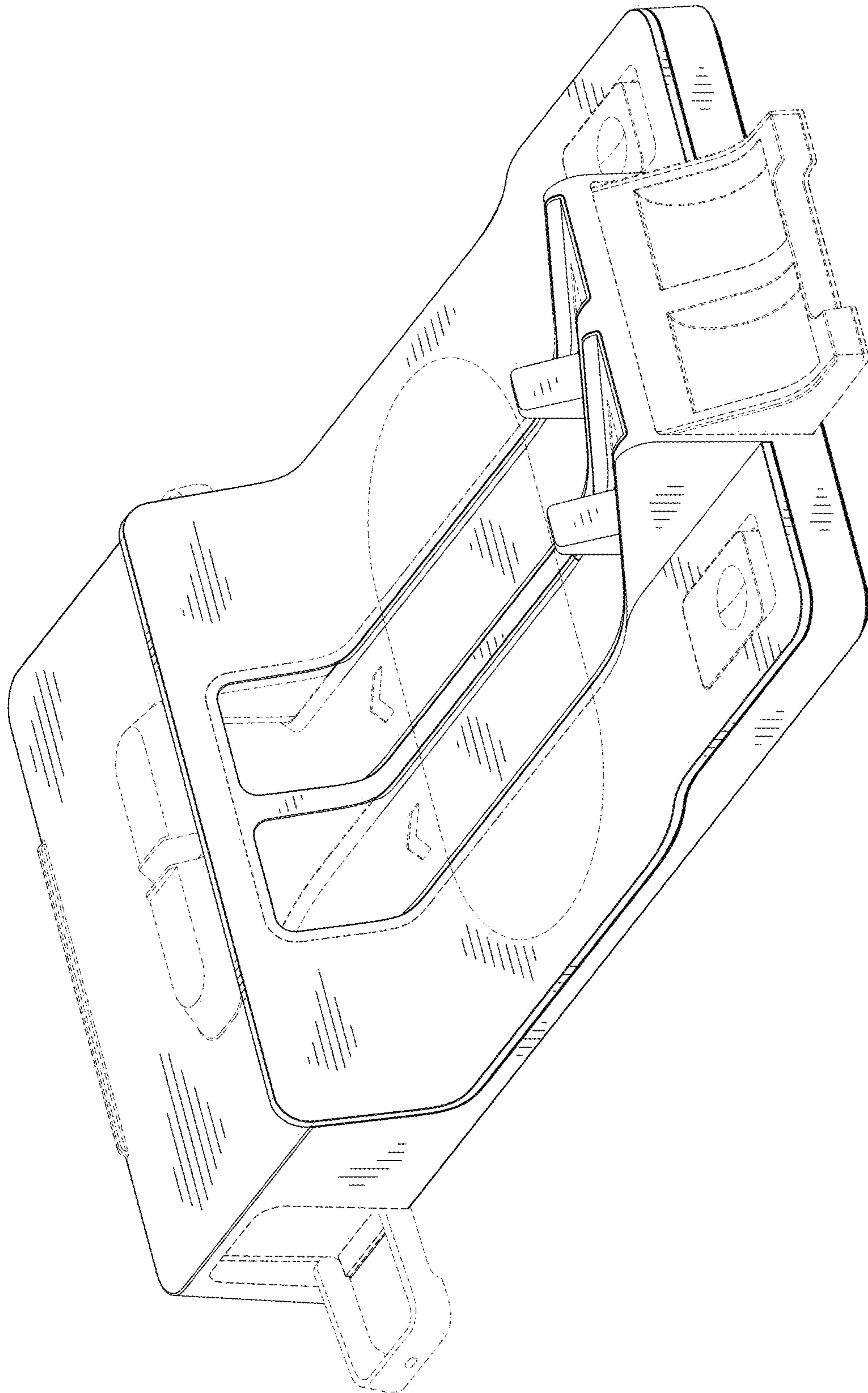


FIG. 12



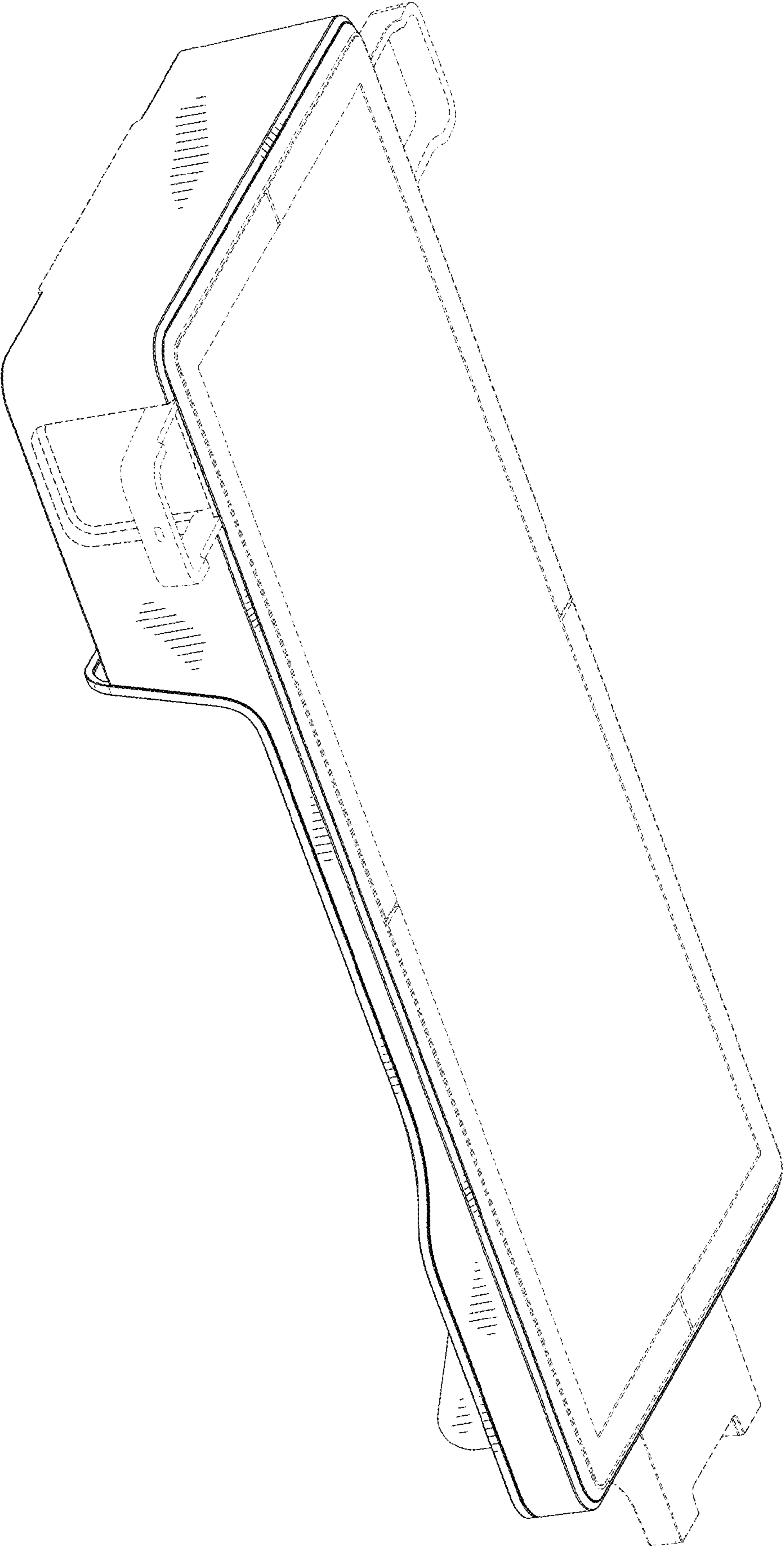


FIG. 13

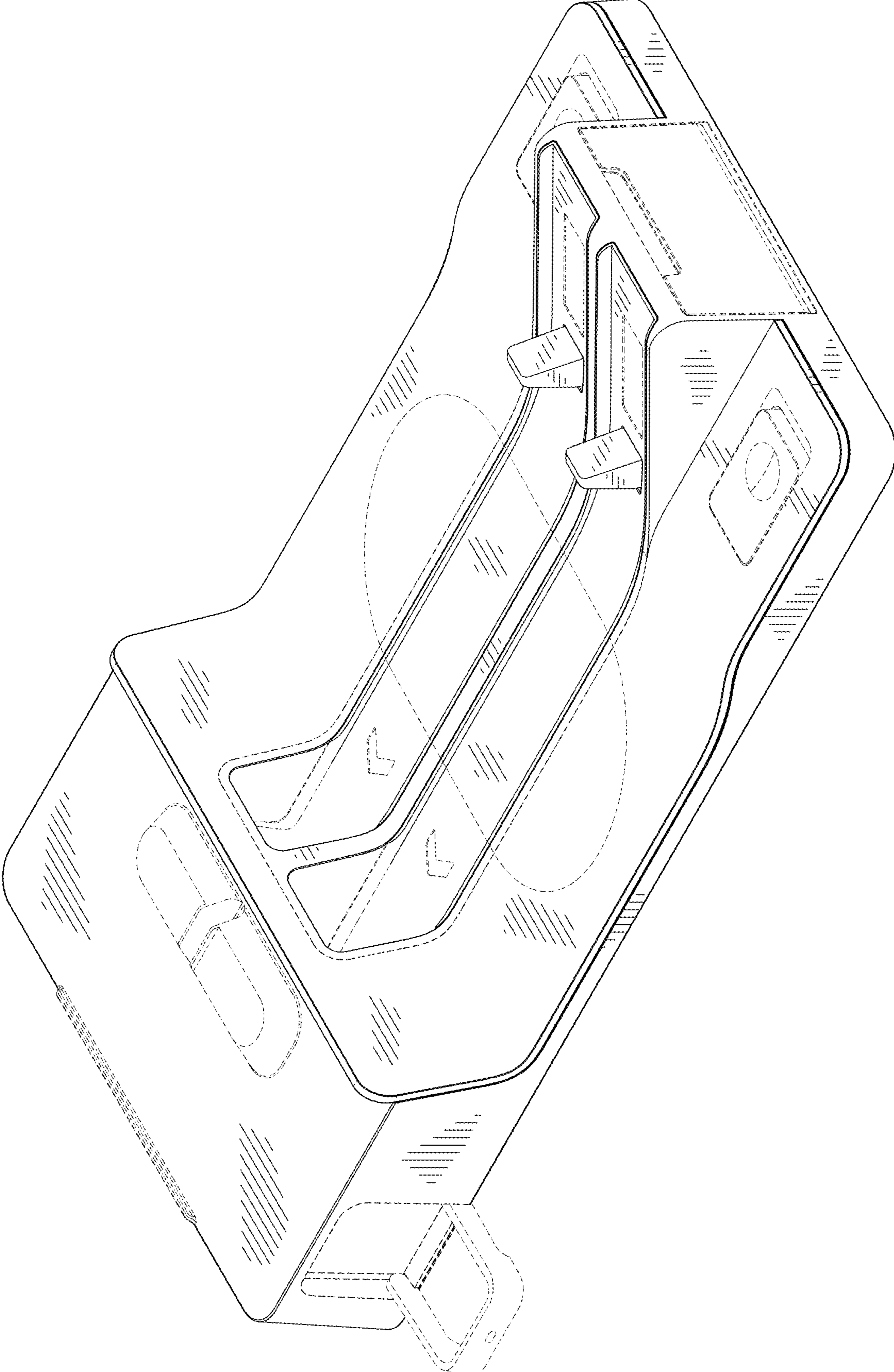


FIG. 14

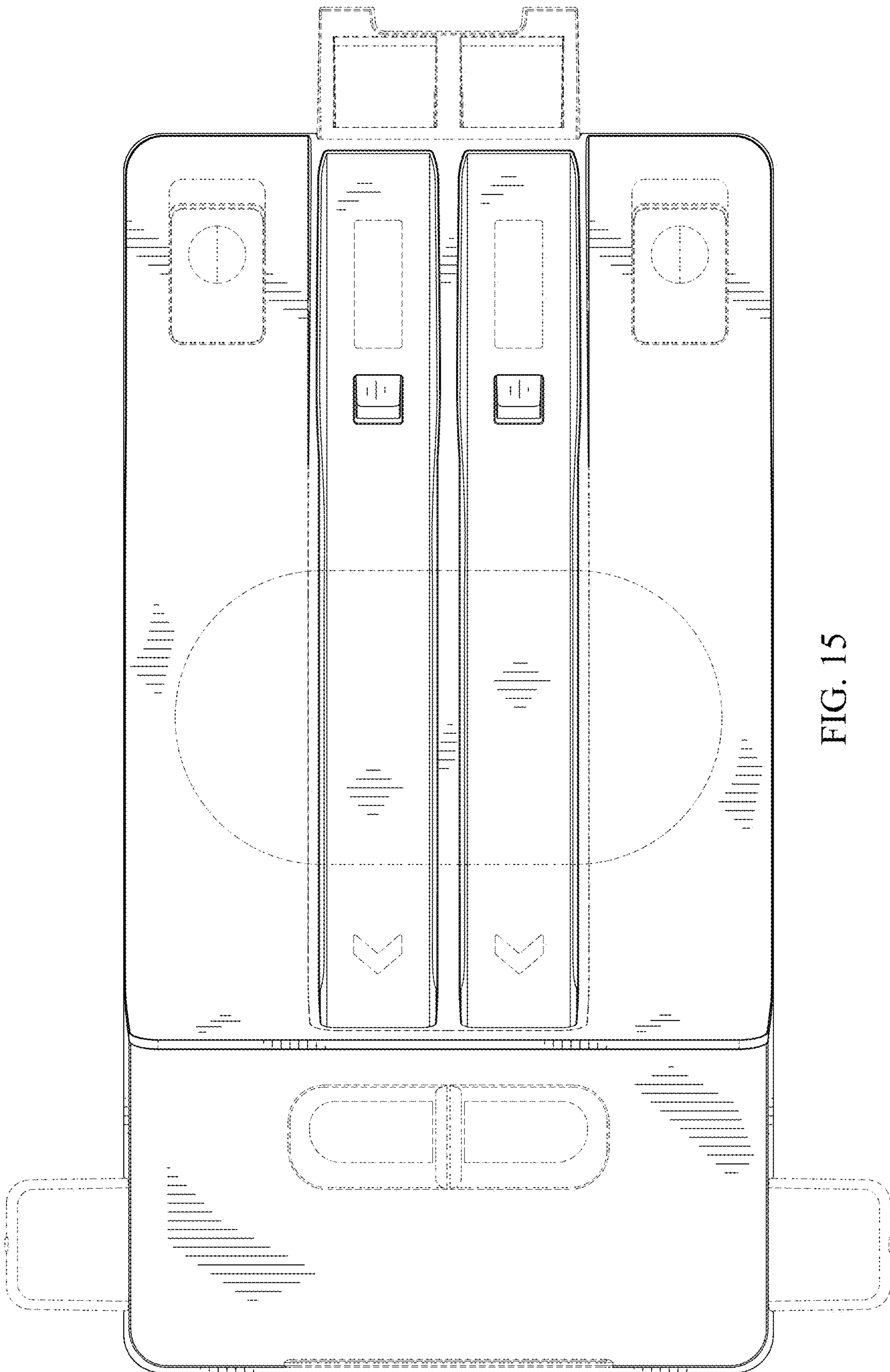


FIG. 15

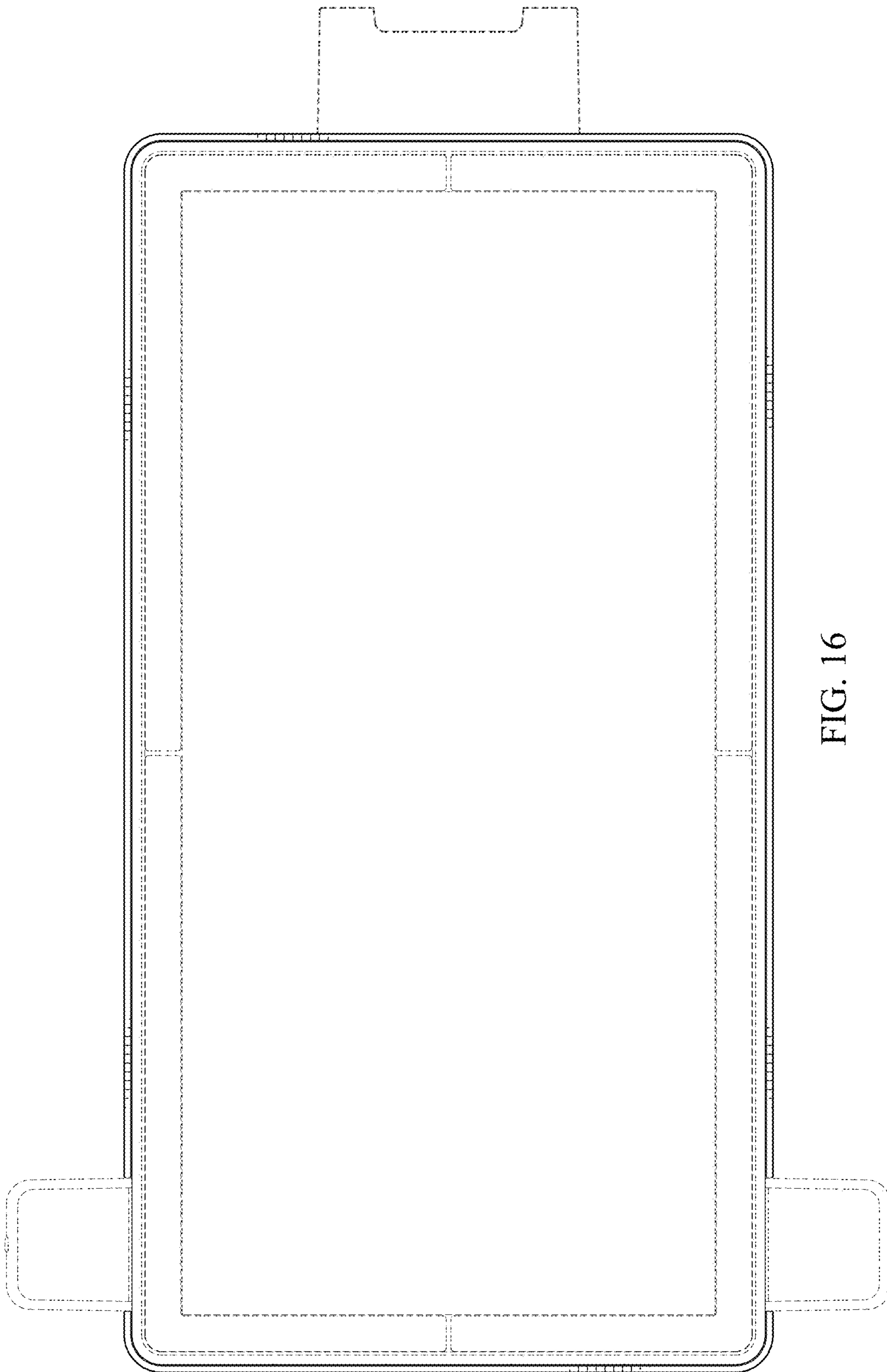


FIG. 16



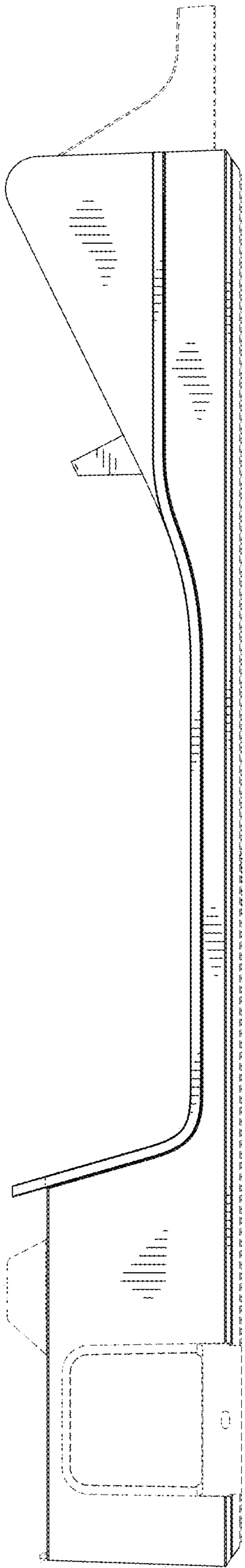


FIG. 17

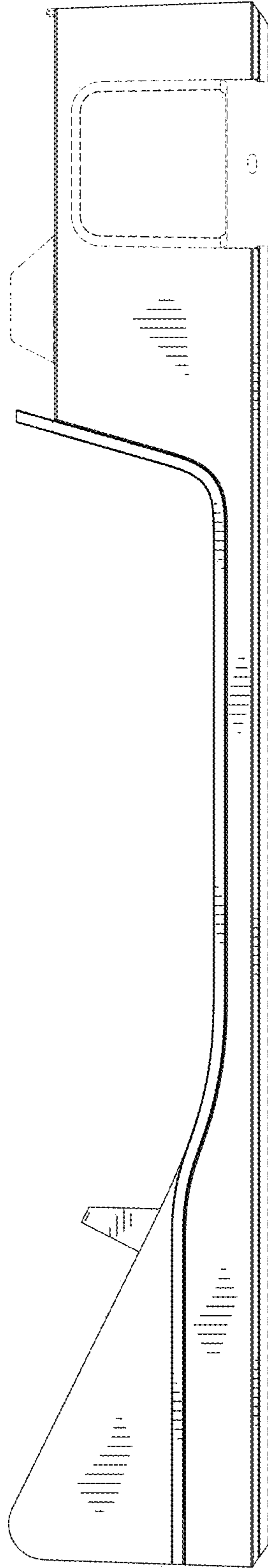


FIG. 18

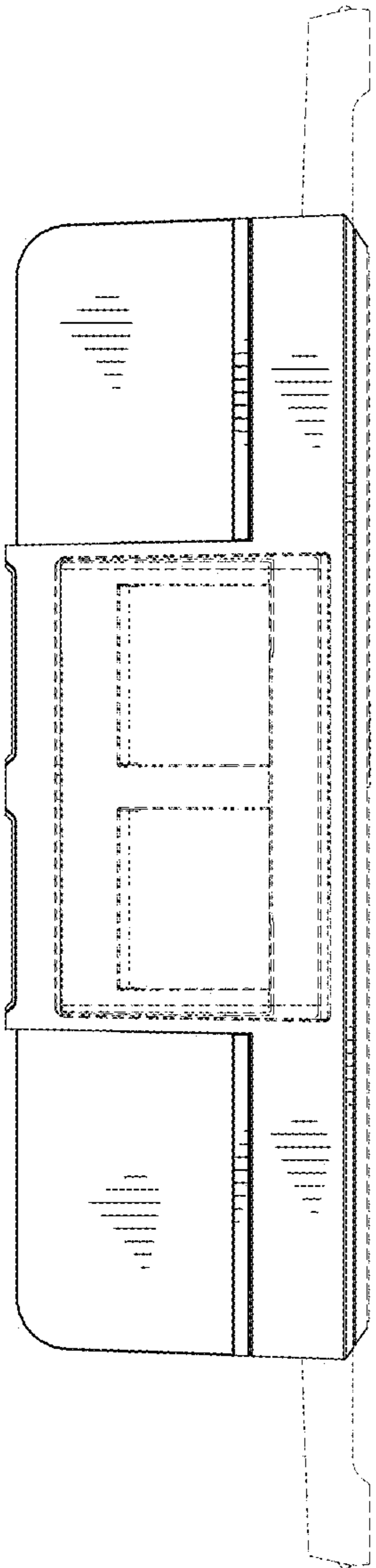


FIG. 19

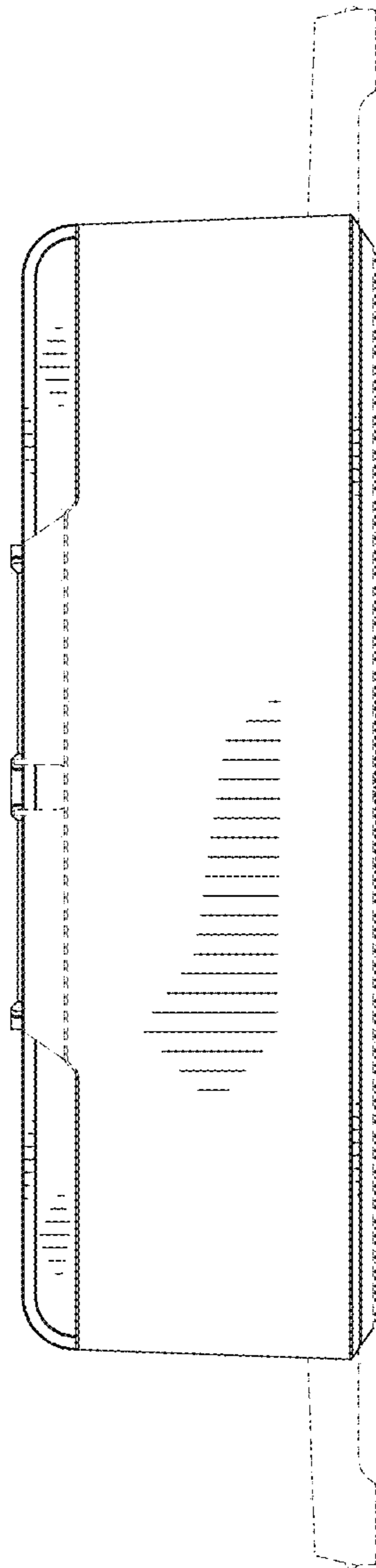


FIG. 20

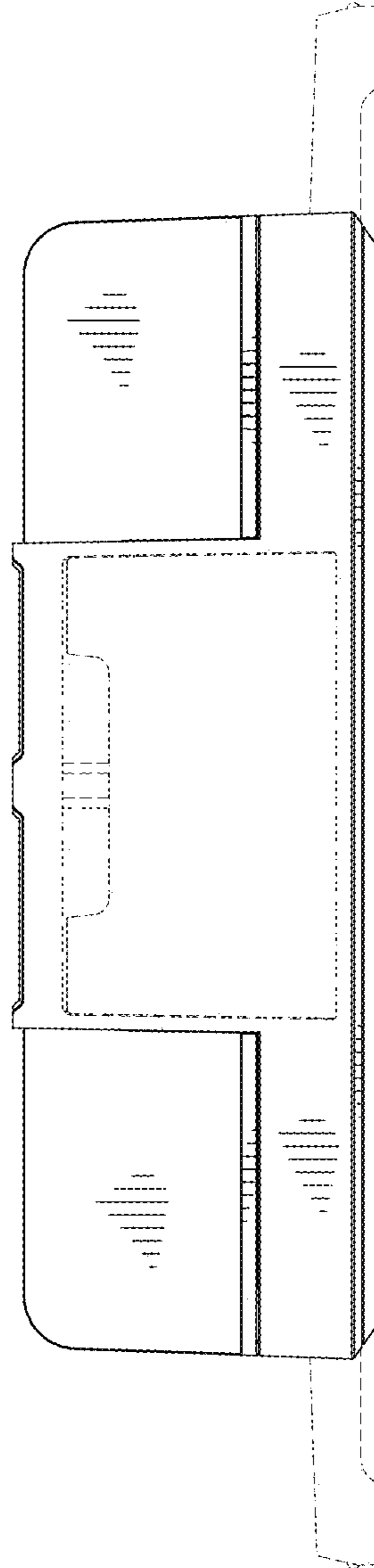


FIG. 21

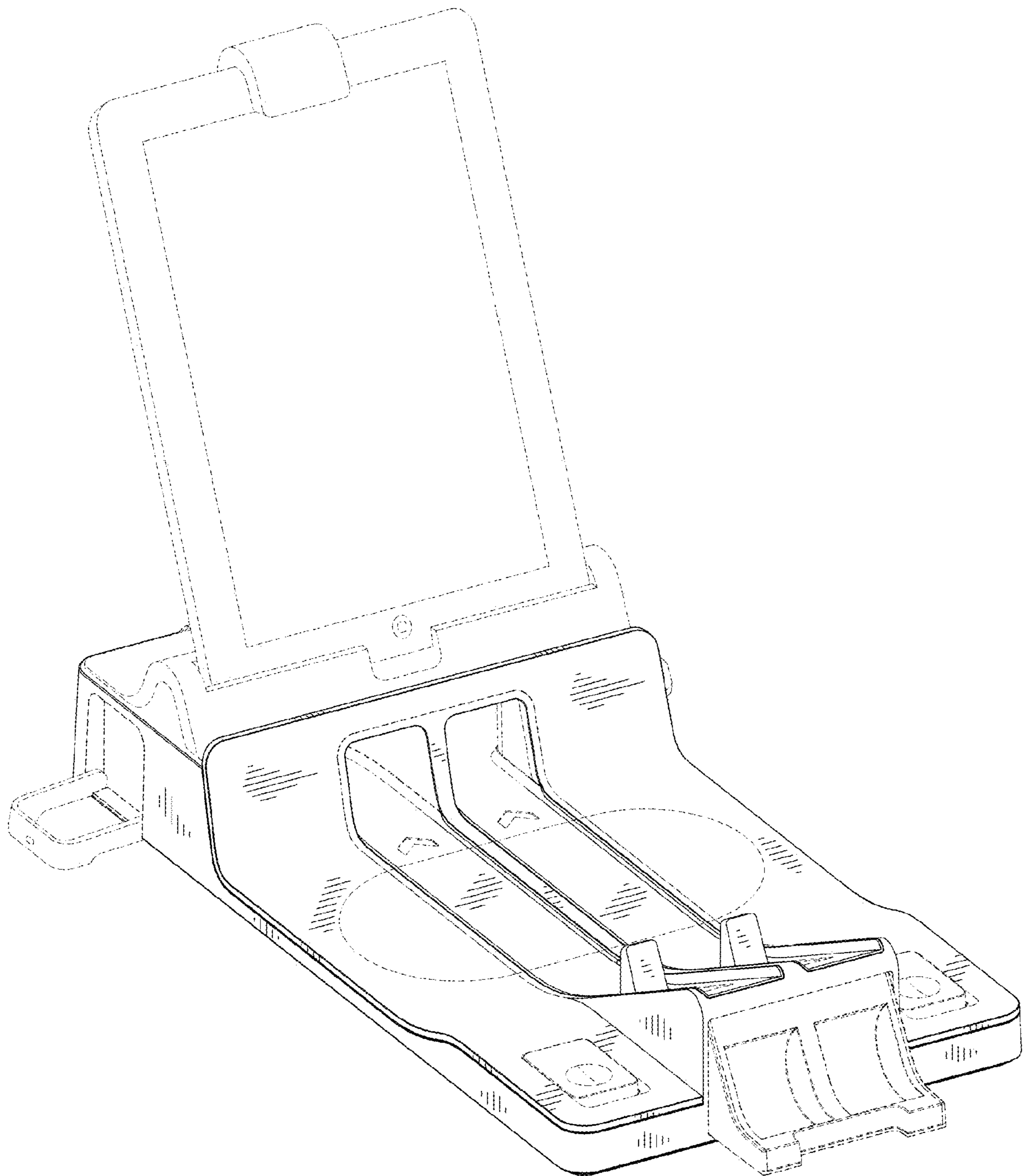


FIG. 22