



US00D926889S

(12) **United States Design Patent** (10) **Patent No.:** **US D926,889 S**
Bruzzese et al. (45) **Date of Patent:** **** Aug. 3, 2021**

(54) **GAMING MACHINE SCREEN**
(71) Applicant: **Ainsworth Game Technology Limited**,
Newington (AU)
(72) Inventors: **Vincent Carmelo Bruzzese**, Oatlands
(AU); **Scott Paul Shelley**, Heathcote
(AU); **Daniel John Shaw**, Gynea Bay
(AU); **Ivan Antonio Valdes**, Pemulwuy
(AU); **Stephen Endre Hadanich**,
Chittaway Point (AU); **Matthew**
Whitbread, The Oaks (AU)

D685,033 S 6/2013 Wudtke
D706,741 S 6/2014 Myers
D712,975 S 9/2014 Lesley et al.
D714,875 S 10/2014 Wudtke et al.
D715,364 S 10/2014 Wudtke et al.
D719,615 S 12/2014 Inoue et al.
D719,616 S 12/2014 Inoue et al.
D740,888 S 10/2015 DePalma et al.
D742,974 S 11/2015 Lesley et al.
D742,975 S 11/2015 Myers et al.
RE46,169 E * 10/2016 Kelly G07F 17/3211
D21/370
D796,724 S * 9/2017 Sonneman D26/85

(Continued)

(73) Assignee: **Ainsworth Game Technology Limited**,
Newington (AU)

Primary Examiner — Khawaja Anwar
Assistant Examiner — Julice Seung Eun Oum
(74) *Attorney, Agent, or Firm* — Cook Alex Ltd.

(**) Term: **15 Years**

(57) **CLAIM**

(21) Appl. No.: **29/718,774**

The ornamental design for a gaming machine screen, as shown and described.

(22) Filed: **Dec. 27, 2019**

DESCRIPTION

(51) **LOC (13) Cl.** **21-03**

(52) **U.S. Cl.**
USPC **D21/369**

(58) **Field of Classification Search**
USPC D21/349, 350, 397, 329, 332, 333, 365,
D21/385, 694, 371, 325, 324, 336, 369,
D21/370

FIG. 1 is a perspective view of a gaming machine screen showing my new design;
FIG. 2 is a frontal view of the gaming machine screen of FIG. 1;
FIG. 3 is a rear view of the gaming machine screen of FIG. 1;
FIG. 4 is a side view of the gaming machine screen of FIG. 1;
FIG. 5 is an opposite side view of the gaming machine screen of FIG. 1;
FIG. 6 is a top view of the gaming machine screen of FIG. 1; and,
FIG. 7 is a bottom view of the gaming machine screen of FIG. 1.
The broken lines shown in the drawings illustrate portions of the gaming machine screen that form no part of the claimed design.

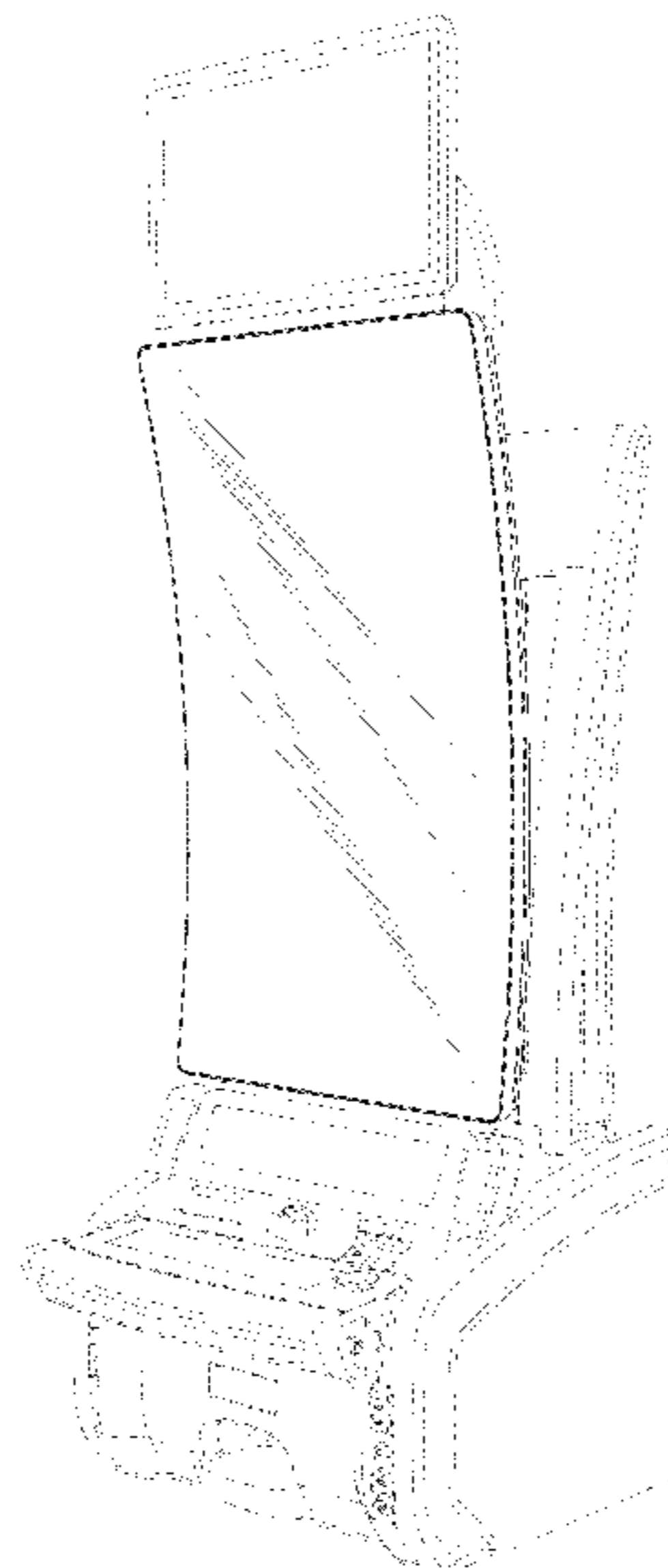
CPC A63F 7/027; A63F 9/00; A63F 5/04; A63F 7/02; G07F 17/321; G07F 17/3213
See application file for complete search history.

(56) **References Cited**

U.S. PATENT DOCUMENTS

D405,963 S * 2/1999 Arbak D6/310
D487,582 S 3/2004 McGahn et al.
D506,331 S * 6/2005 Quintal D6/332
D560,724 S 1/2008 Johnson
D560,725 S 1/2008 Johnson
D646,336 S 10/2011 Kelly et al.
D646,337 S 10/2011 Kelly et al.

1 Claim, 6 Drawing Sheets



(56)

References Cited

U.S. PATENT DOCUMENTS

D812,146 S 3/2018 Castro et al.
 D812,147 S 3/2018 Castro et al.
 D812,148 S * 3/2018 Castro D21/369
 D812,149 S 3/2018 Castro et al.
 D819,747 S * 6/2018 Castro D21/369
 D820,915 S * 6/2018 Lee D21/369
 D832,355 S 10/2018 Castro et al.
 D832,356 S 10/2018 Castro et al.
 D832,357 S 10/2018 Castro et al.
 D832,358 S 10/2018 Castro et al.
 D836,164 S 12/2018 Castro et al.
 D842,930 S 3/2019 Johnson et al.
 D842,932 S 3/2019 Stair et al.
 D843,458 S 3/2019 Castro et al.
 D843,459 S 3/2019 Castro et al.
 D843,460 S 3/2019 Castro et al.
 D843,461 S 3/2019 Castro et al.
 D843,462 S 3/2019 Castro et al.
 D843,463 S 3/2019 Castro et al.
 D843,464 S 3/2019 Castro et al.
 D843,465 S 3/2019 Castro et al.
 D843,466 S 3/2019 Castro et al.
 D843,467 S 3/2019 Johnson et al.
 D843,468 S 3/2019 Johnson et al.

D843,473 S * 3/2019 Zedell, Jr. D21/369
 D843,474 S 3/2019 Lesley et al.
 D843,475 S 3/2019 Lesley et al.
 D843,476 S 3/2019 Lesley et al.
 D843,477 S 3/2019 Lesley et al.
 D843,478 S 3/2019 Lesley et al.
 D843,479 S 3/2019 Castro et al.
 D843,480 S 3/2019 Castro et al.
 D843,482 S 3/2019 Holland et al.
 D844,062 S 3/2019 Lesley et al.
 D846,650 S 4/2019 Stair et al.
 D850,536 S 6/2019 Stair et al.
 D850,537 S 6/2019 Urban et al.
 D880,606 S * 4/2020 Glenn, II D21/369
 D888,834 S * 6/2020 Lee D21/369
 D890,850 S * 7/2020 Johnson D21/369
 D894,285 S * 8/2020 Glenn D21/369
 D896,314 S * 9/2020 Castro D21/369
 D898,128 S * 10/2020 Urban D21/369
 D904,522 S * 12/2020 Kim D21/369
 D905,172 S * 12/2020 Zedell, Jr. D21/369
 D906,433 S * 12/2020 DeMarco D21/369
 D907,123 S * 1/2021 DeMarco D21/369
 D907,125 S * 1/2021 DeMarco D21/369
 D907,714 S * 1/2021 DeMarco D21/369
 D910,119 S * 2/2021 DeMarco D21/369
 D911,451 S * 2/2021 Ortiz De Viveiros D21/369

* cited by examiner

FIG. 1

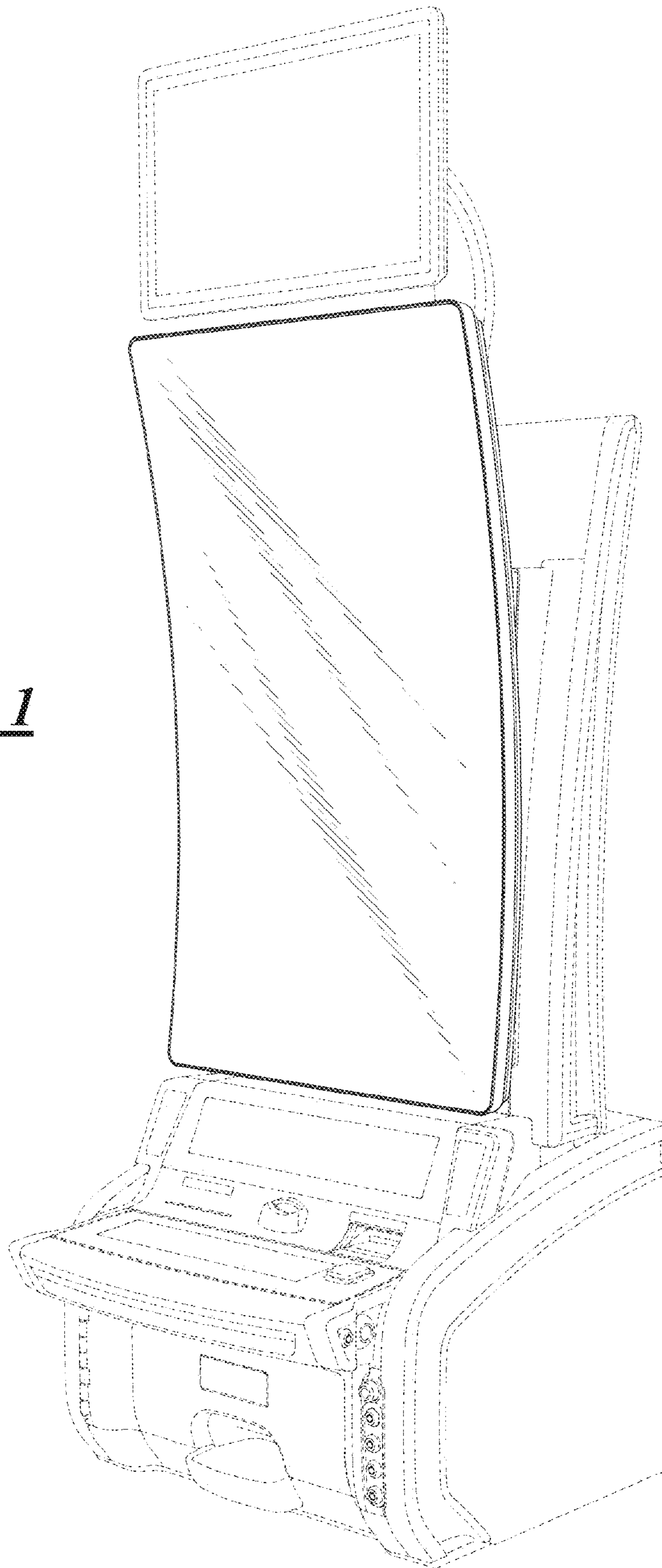


FIG. 2

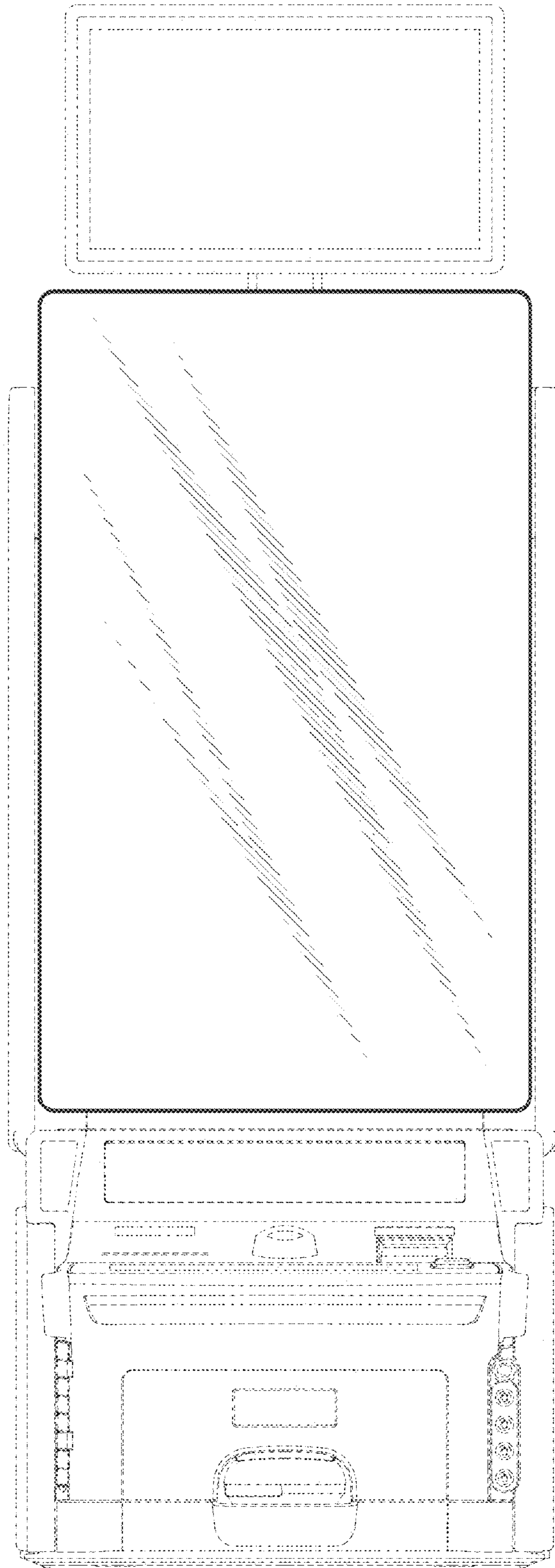


FIG. 3

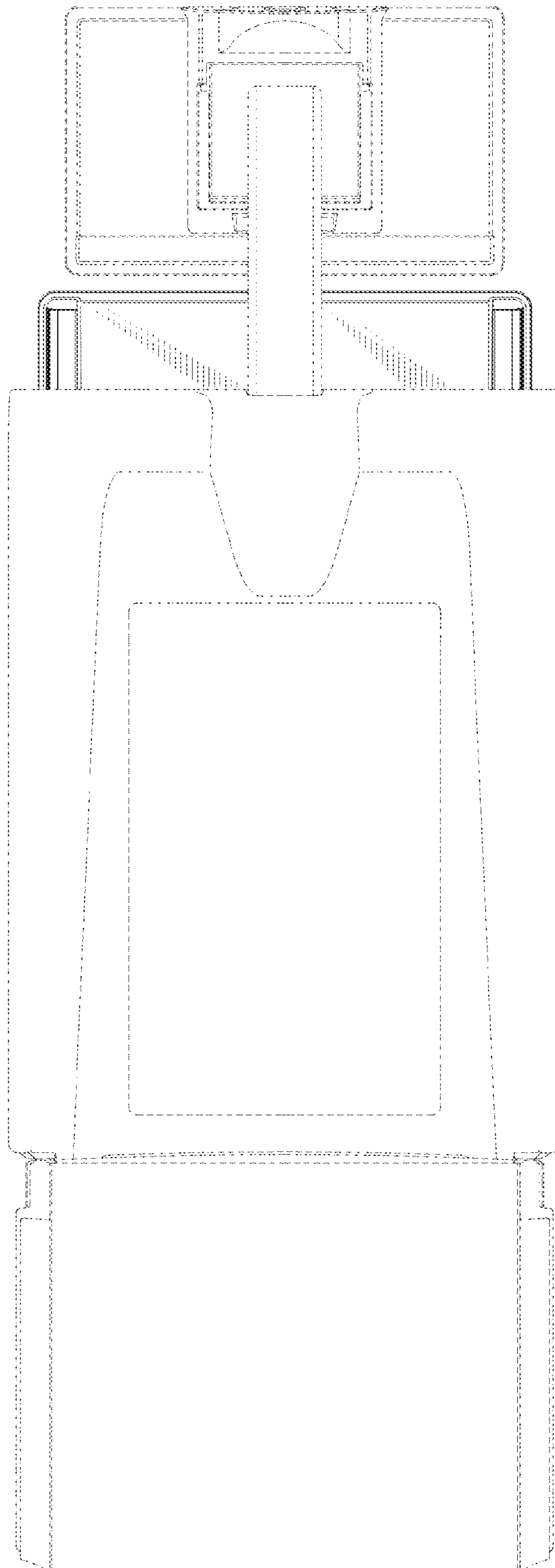


FIG. 4

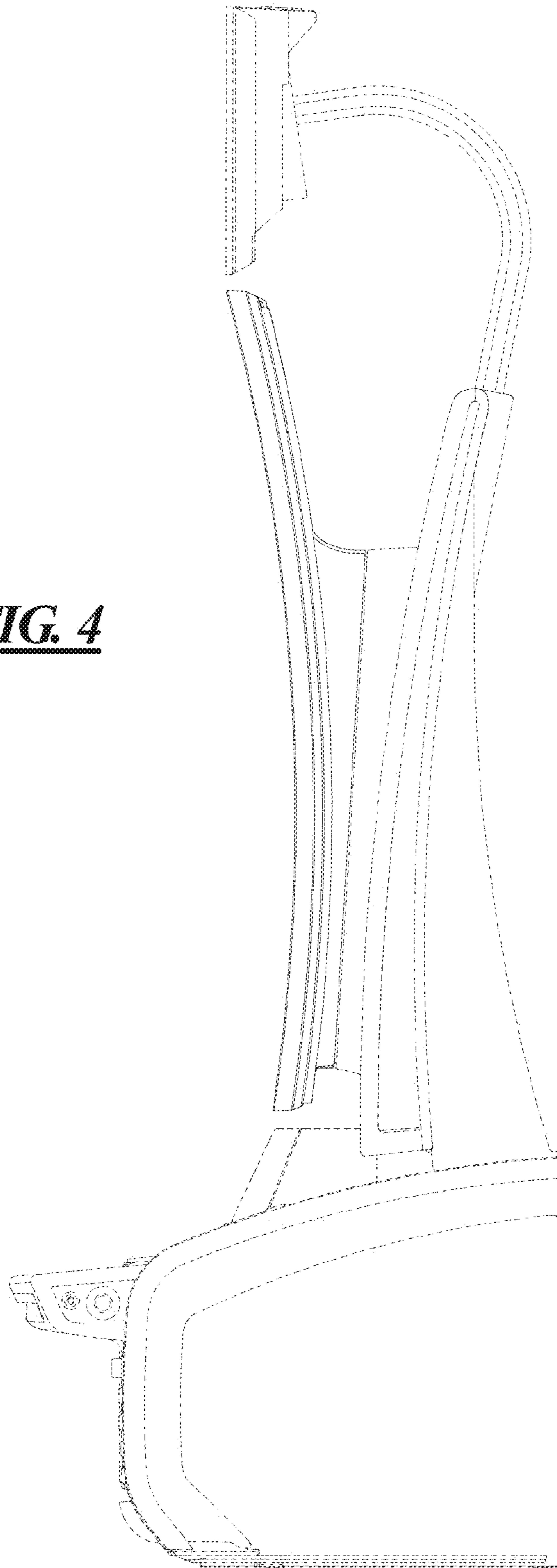


FIG. 5

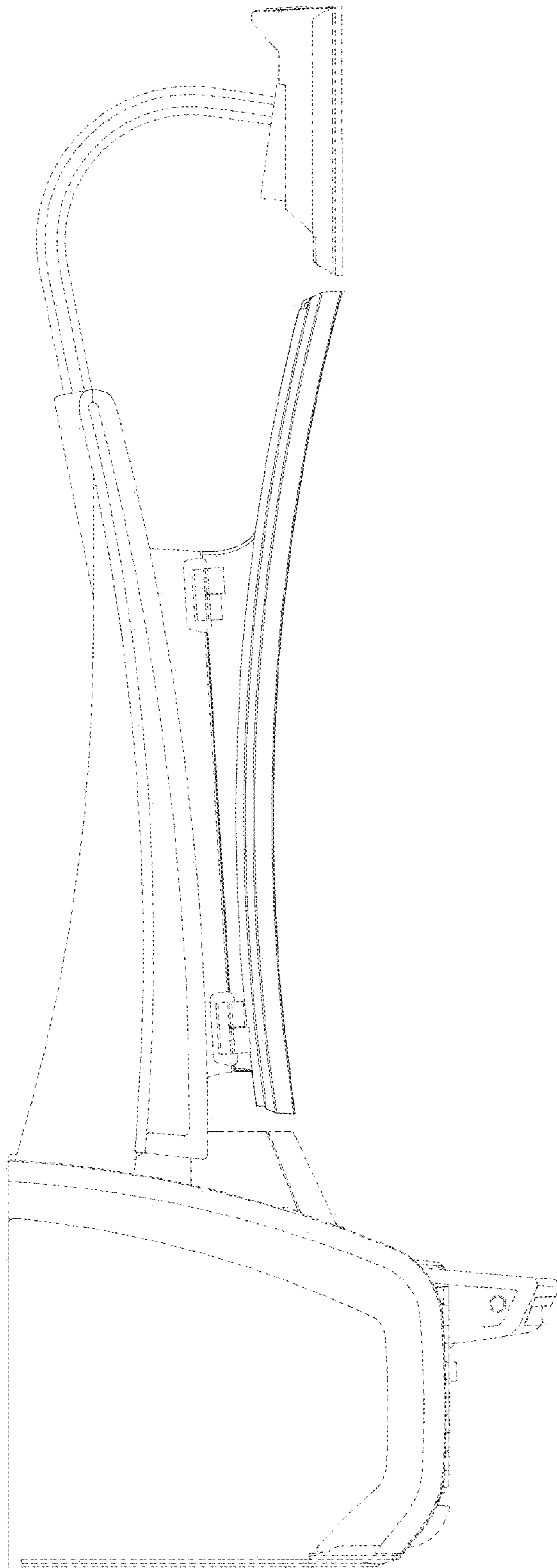


FIG. 6

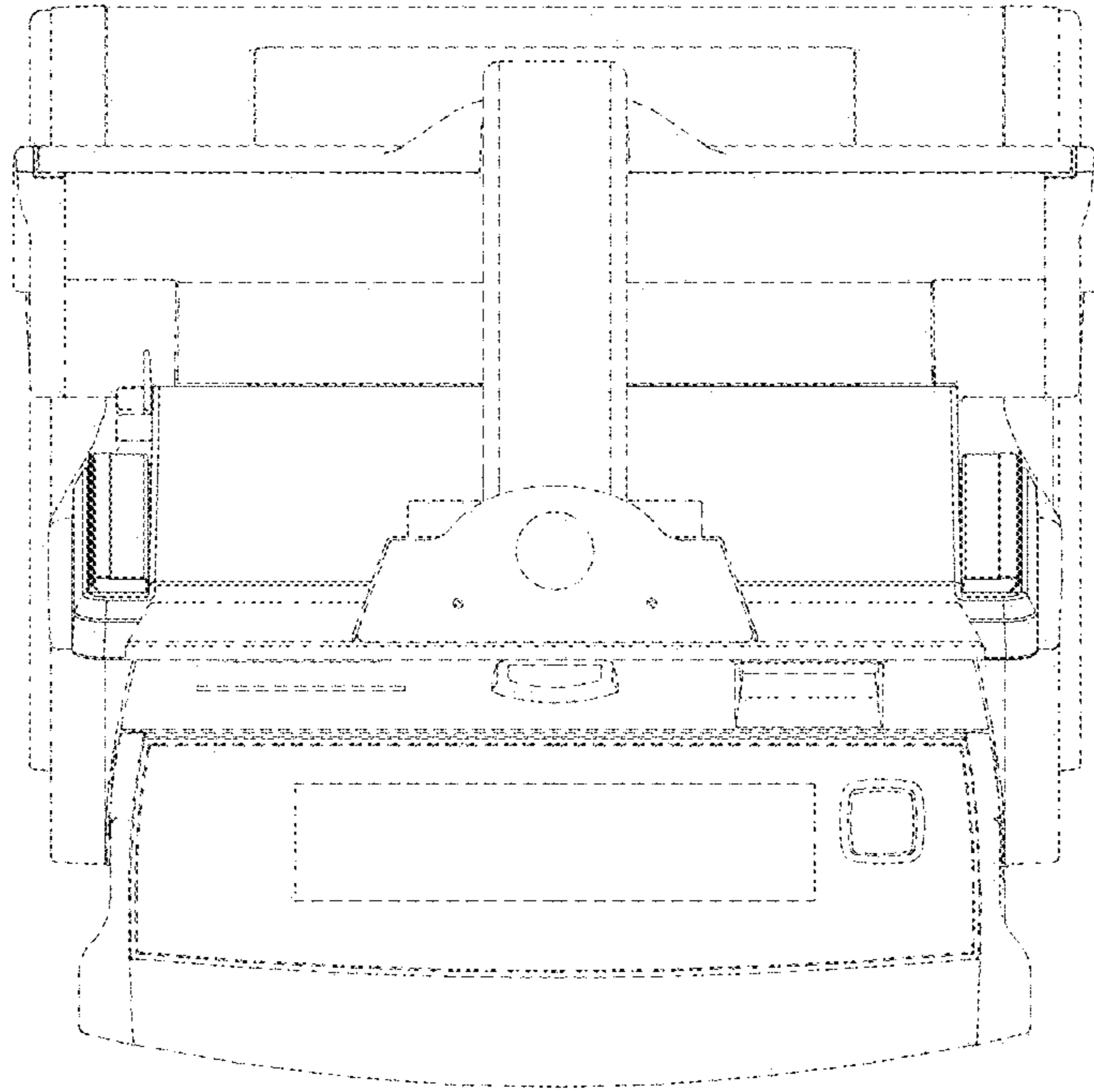


FIG. 7

