



US00D926888S

(12) **United States Design Patent** (10) **Patent No.:** **US D926,888 S**  
**Glenn, II et al.** (45) **Date of Patent:** **\*\* Aug. 3, 2021**

(54) **GAMING MACHINE**  
(71) Applicant: **BALLY GAMING, INC.**, Las Vegas, NV (US)  
(72) Inventors: **Robert J. Glenn, II**, Chicago, IL (US);  
**Paul M. Lesley**, Chicago, IL (US);  
**Timothy C. Loose**, Chicago, IL (US)  
(73) Assignee: **SG Gaming, Inc.**, Las Vegas, NV (US)  
(\*\*) Term: **15 Years**

D682,948 S 5/2013 Cesaroni et al.  
D685,033 S 6/2013 Wudtke  
D691,666 S 10/2013 Lesley et al.  
D706,741 S 6/2014 Myers  
D740,888 S 10/2015 DePalma et al.  
D742,975 S 11/2015 Myers et al.  
D759,068 S 6/2016 Arabian et al.  
RE46,169 E 10/2016 Kelly et al.  
D771,193 S 11/2016 Aoki et al.  
D783,096 S 4/2017 Aoki et al.  
D820,915 S 6/2018 Lee et al.  
10,037,651 B2 7/2018 You et al.  
D842,930 S \* 3/2019 Johnson ..... D21/369  
D843,460 S 3/2019 Castro et al.

(21) Appl. No.: **29/665,487**  
(22) Filed: **Oct. 3, 2018**  
(51) **LOC (13) Cl.** ..... **21-03**  
(52) **U.S. Cl.**  
USPC ..... **D21/369**  
(58) **Field of Classification Search**  
USPC ..... D21/369, 397, 385, 370, 329, 325, 326;  
D14/374, 341, 307, 173, 140.8, 138 R,  
D14/127, 486, 172, 107; D13/107;  
463/31, 25, 23, 20  
CPC .. G07F 17/3211; G07F 17/32; G07F 17/3213;  
G07F 17/34; G07F 17/3267; G07F  
17/3202; G07F 17/3262; G07F 17/3286;  
G07F 17/3272; G07F 17/3216; G07F  
17/322; G07F 17/3209; G07F 17/3244;  
G07F 17/3227; A63F 9/0406; A63F  
5/045; A63F 3/00157; A63F 5/02; A63F  
13/25; A63F 13/20  
See application file for complete search history.

*Primary Examiner* — Ryan Harvey  
(74) *Attorney, Agent, or Firm* — Banner & Witcoff, Ltd.

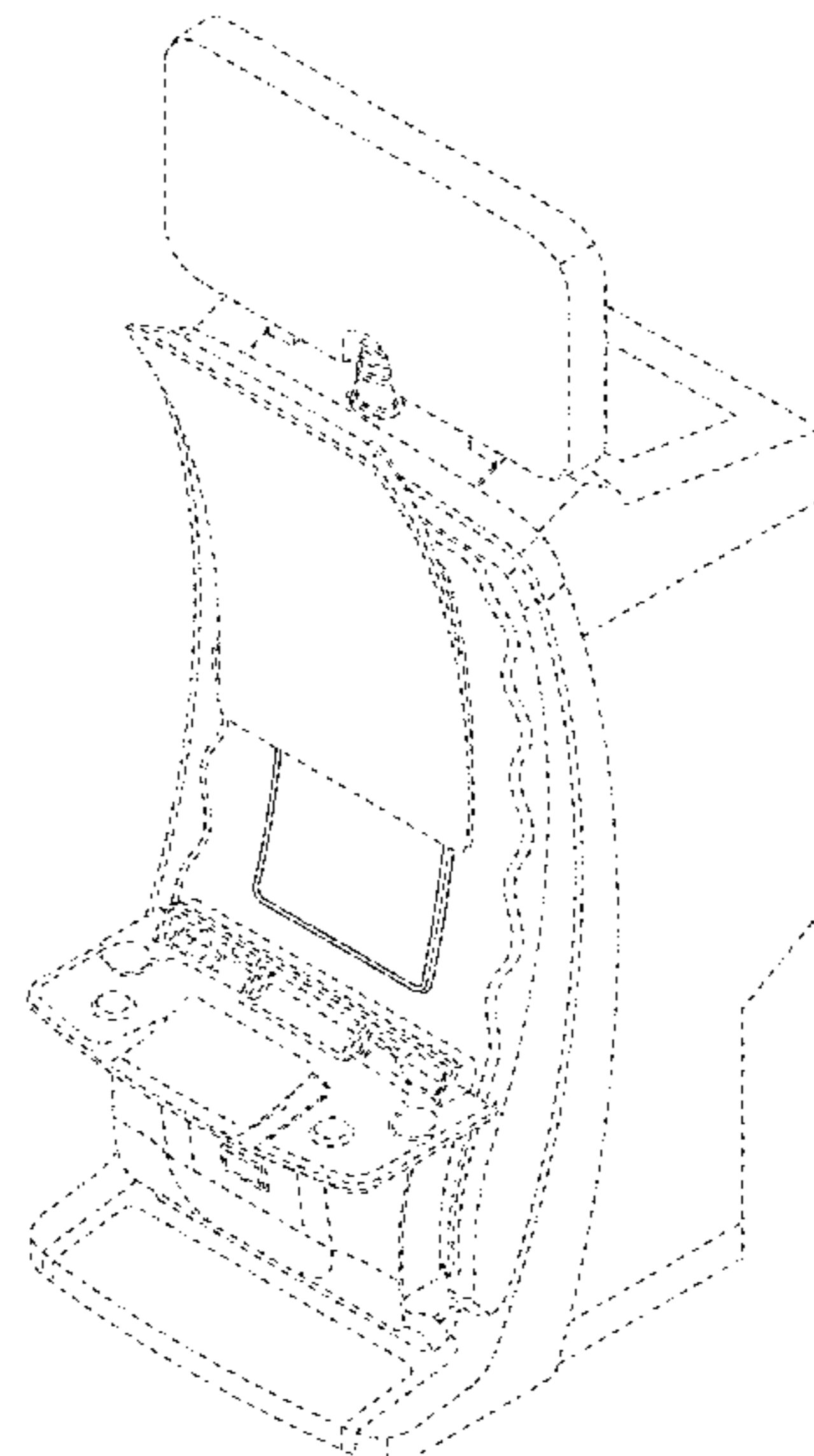
(57) **CLAIM**  
The ornamental design for a gaming machine, as shown and described.

**DESCRIPTION**

FIG. 1 is a front perspective view of a gaming machine showing our new design;  
FIG. 2 is a front view thereof;  
FIG. 3 is a left side view thereof;  
FIG. 4 is a right side view thereof;  
FIG. 5 is a cross-sectional view thereof taken through line 5-5 of FIG. 2;  
FIG. 6 is a front perspective view of a gaming machine showing an alternate embodiment of our new design;  
FIG. 7 is a front view thereof;  
FIG. 8 is a left side view thereof;  
FIG. 9 is a right side view thereof; and,  
FIG. 10 is a cross-sectional view thereof taken through line 10-10 of FIG. 7.  
The broken lines depicting the remainder of the gaming machine show features that form no part of the claimed design.

(56) **References Cited**  
U.S. PATENT DOCUMENTS  
5,249,800 A 10/1993 Hilgendorf et al.  
D435,270 S \* 12/2000 Healy ..... D20/10  
6,729,618 B1 \* 5/2004 Koenig ..... G07F 17/32  
273/138.2  
D646,337 S 10/2011 Kelly et al.

**1 Claim, 10 Drawing Sheets**



(56)

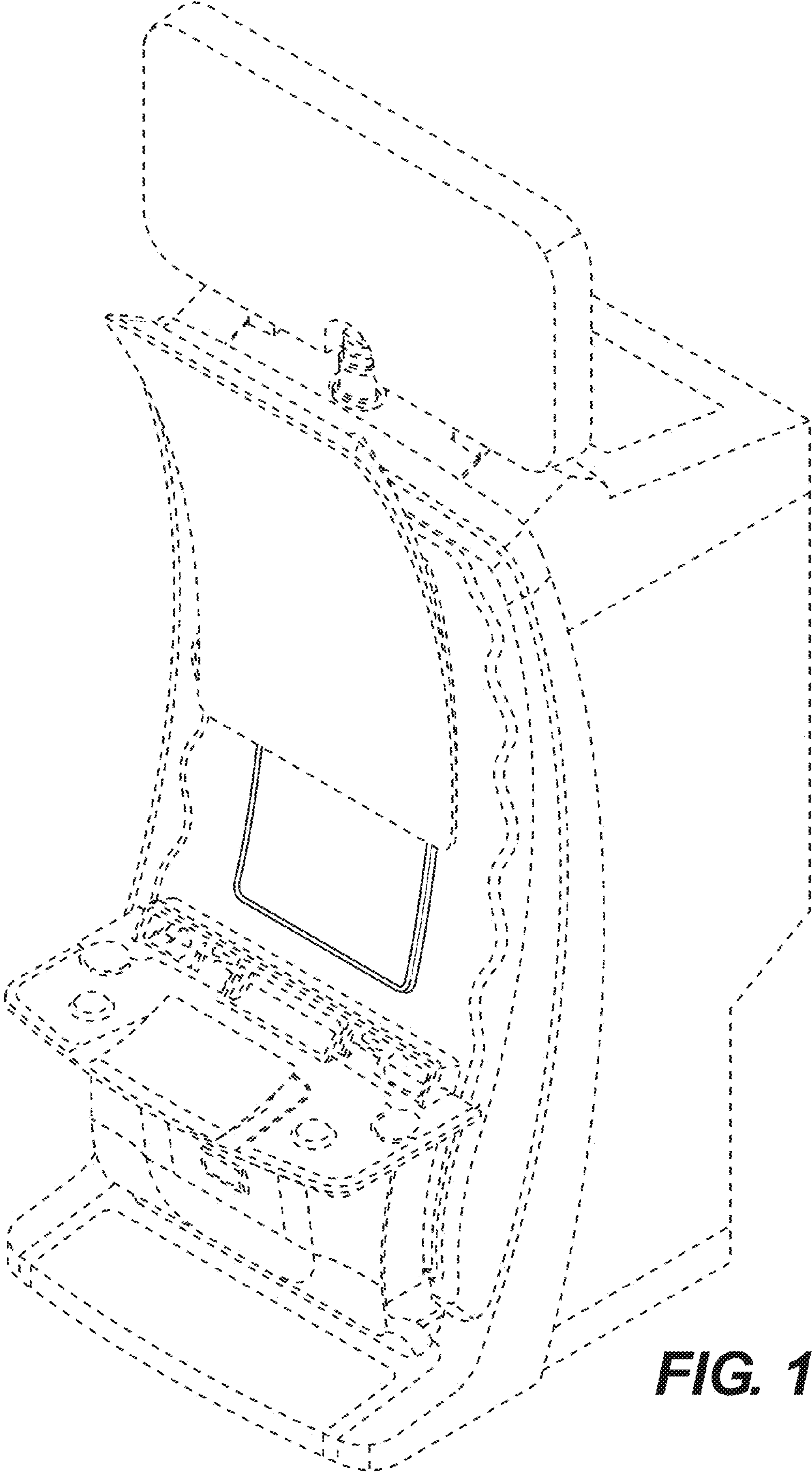
References Cited

U.S. PATENT DOCUMENTS

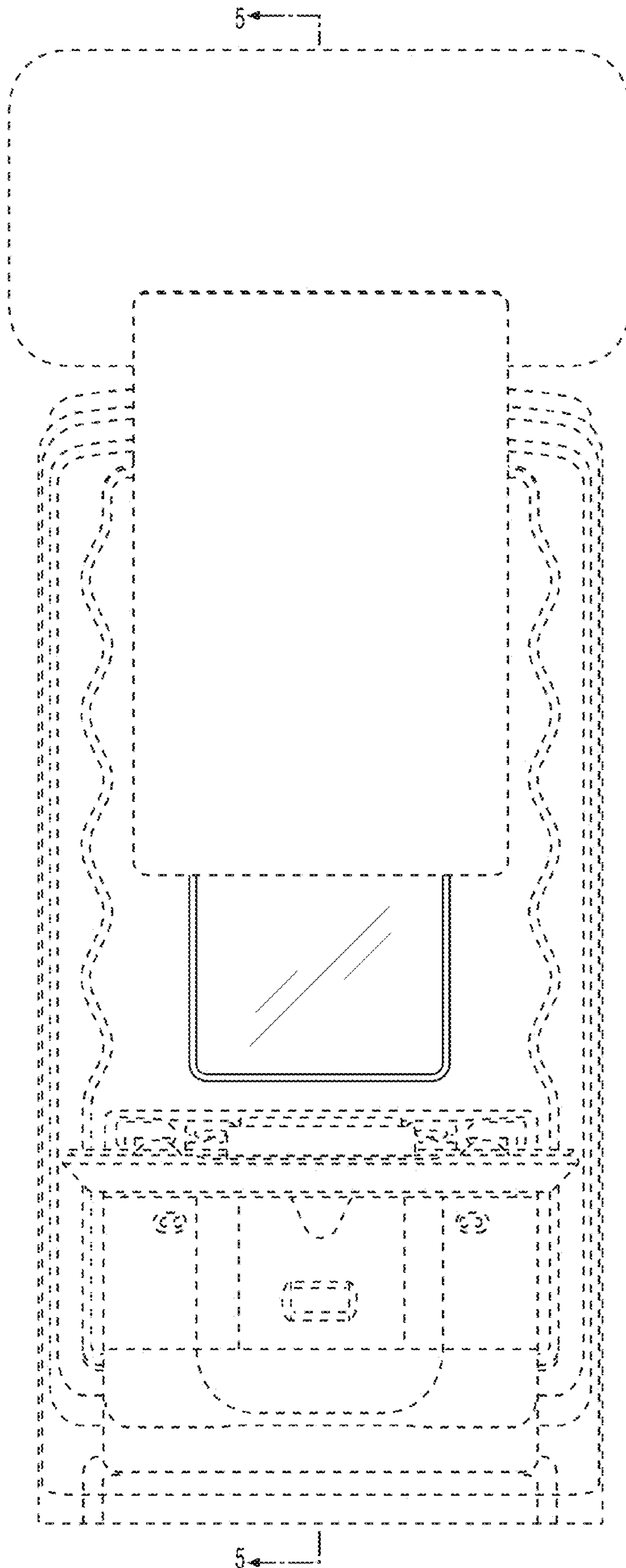
D843,461 S 3/2019 Castro et al.  
 D843,467 S 3/2019 Johnson et al.  
 D843,468 S 3/2019 Johnson et al.  
 D843,473 S 3/2019 Zedell, Jr. et al.  
 D843,474 S 3/2019 Lesley et al.  
 D843,475 S 3/2019 Lesley et al.  
 D843,476 S 3/2019 Lesley et al.  
 D850,536 S \* 6/2019 Stair ..... D21/370  
 D866,667 S \* 11/2019 Stair ..... D21/369  
 D872,188 S 1/2020 Bernard et al.  
 D872,189 S 1/2020 Bernard et al.  
 D872,190 S 1/2020 Zedell, Jr. et al.  
 D873,921 S 1/2020 Bernard et al.  
 D876,344 S \* 2/2020 Mercer ..... D13/107  
 10,559,165 B1 2/2020 Kelley et al.  
 D880,606 S 4/2020 Glenn, II et al.  
 D880,609 S 4/2020 Bernard et al.  
 D880,610 S 4/2020 Glenn, II et al.  
 D880,612 S 4/2020 Bernard et al.  
 D880,613 S 4/2020 Bernard et al.  
 D880,614 S 4/2020 Bernard et al.  
 D880,615 S 4/2020 Bernard et al.  
 D881,285 S 4/2020 Glenn et al.  
 D881,995 S 4/2020 Bernard et al.  
 D882,696 S 4/2020 Lesley et al.  
 D882,697 S 4/2020 Lesley et al.  
 D882,698 S 4/2020 Lesley et al.  
 D884,079 S 5/2020 Glenn, II et al.

D886,207 S 6/2020 Yee et al.  
 D886,208 S 6/2020 Yee et al.  
 D886,905 S 6/2020 Bernard et al.  
 D887,495 S 6/2020 Bernard et al.  
 D889,546 S \* 7/2020 Jones ..... D21/326  
 D890,264 S \* 7/2020 Johnson ..... D21/369  
 D890,265 S \* 7/2020 Johnson ..... D21/369  
 D890,850 S \* 7/2020 Johnson ..... D21/369  
 10,726,609 B2 \* 7/2020 O'Brien ..... G09G 3/00  
 D893,631 S \* 8/2020 Glinka ..... D21/369  
 D894,285 S \* 8/2020 Glenn ..... D21/369  
 D895,019 S 9/2020 Lesley et al.  
 D896,235 S \* 9/2020 Tedesco ..... D14/485  
 2009/0036208 A1 \* 2/2009 Pennington ..... G07F 17/3202  
 463/33  
 2013/0217486 A1 \* 8/2013 Schlottmann ..... H04N 13/395  
 463/31  
 2016/0093143 A1 \* 3/2016 Lamb ..... G07F 17/323  
 463/20  
 2018/0053373 A1 \* 2/2018 Goldstein ..... G07F 17/3216  
 2018/0078854 A1 \* 3/2018 Achmueller ..... H04N 13/366  
 2019/0012874 A1 1/2019 Goldstein et al.  
 2019/0066445 A1 \* 2/2019 Satterlie ..... G07F 17/3216  
 2019/0096161 A1 3/2019 Barbour et al.  
 2019/0244488 A1 \* 8/2019 Marsh ..... G07F 17/3213  
 2020/0111285 A1 \* 4/2020 Phillips, Jr. .... G07F 17/3216  
 2020/0111295 A1 4/2020 Glenn et al.  
 2020/0111299 A1 4/2020 Baker et al.  
 2020/0160654 A1 \* 5/2020 Idris ..... G07F 17/3223

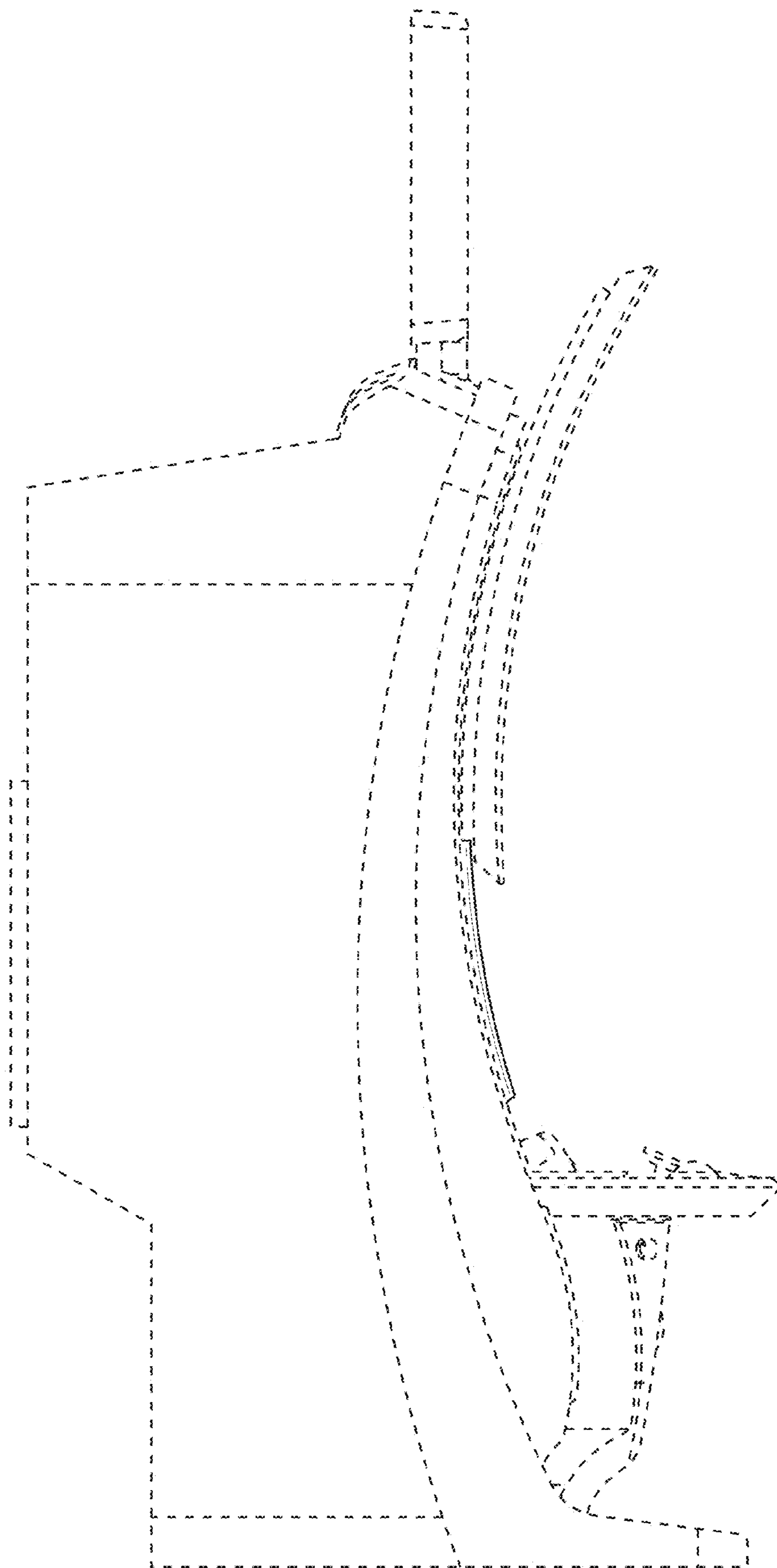
\* cited by examiner



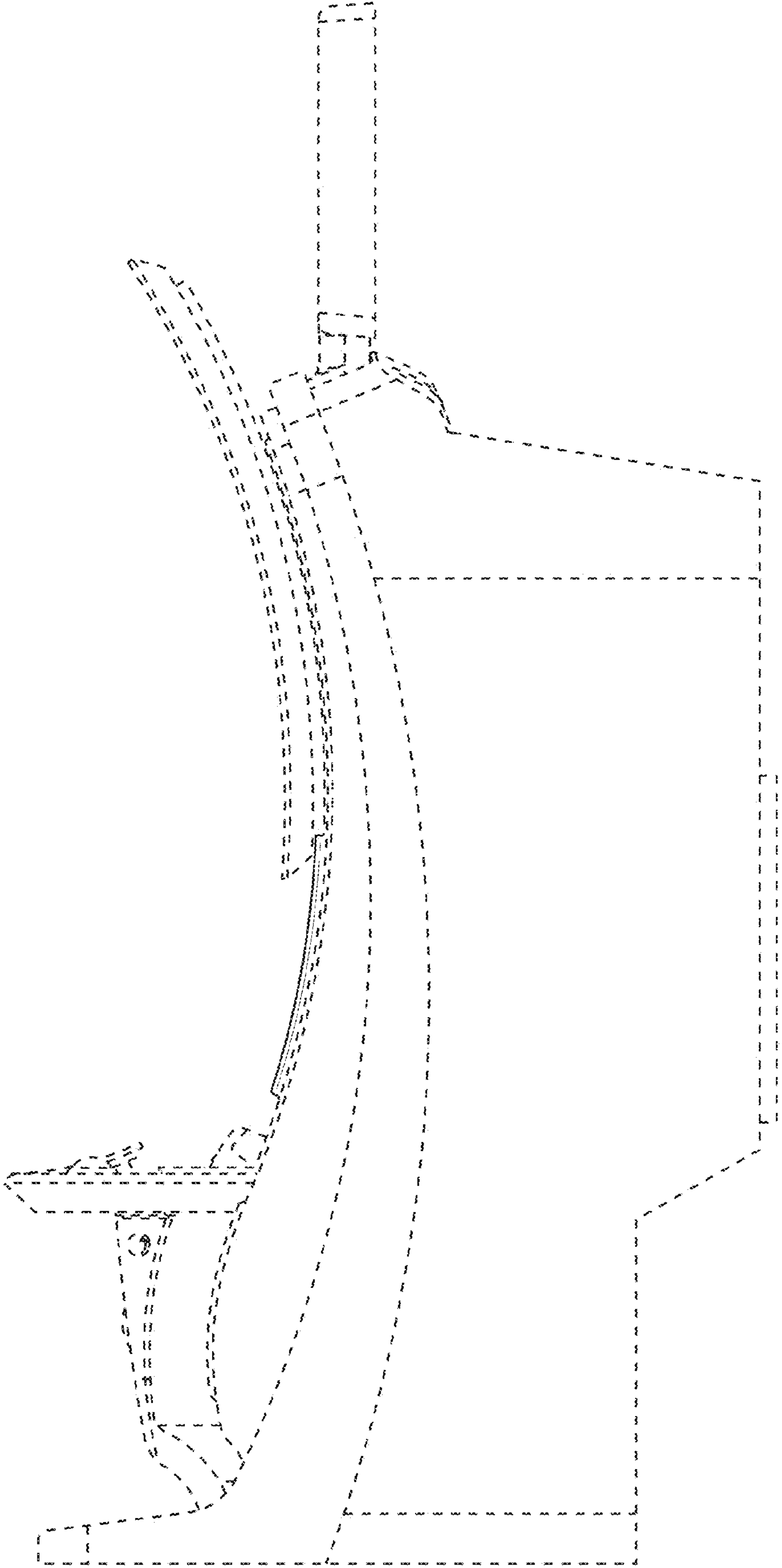
**FIG. 1**



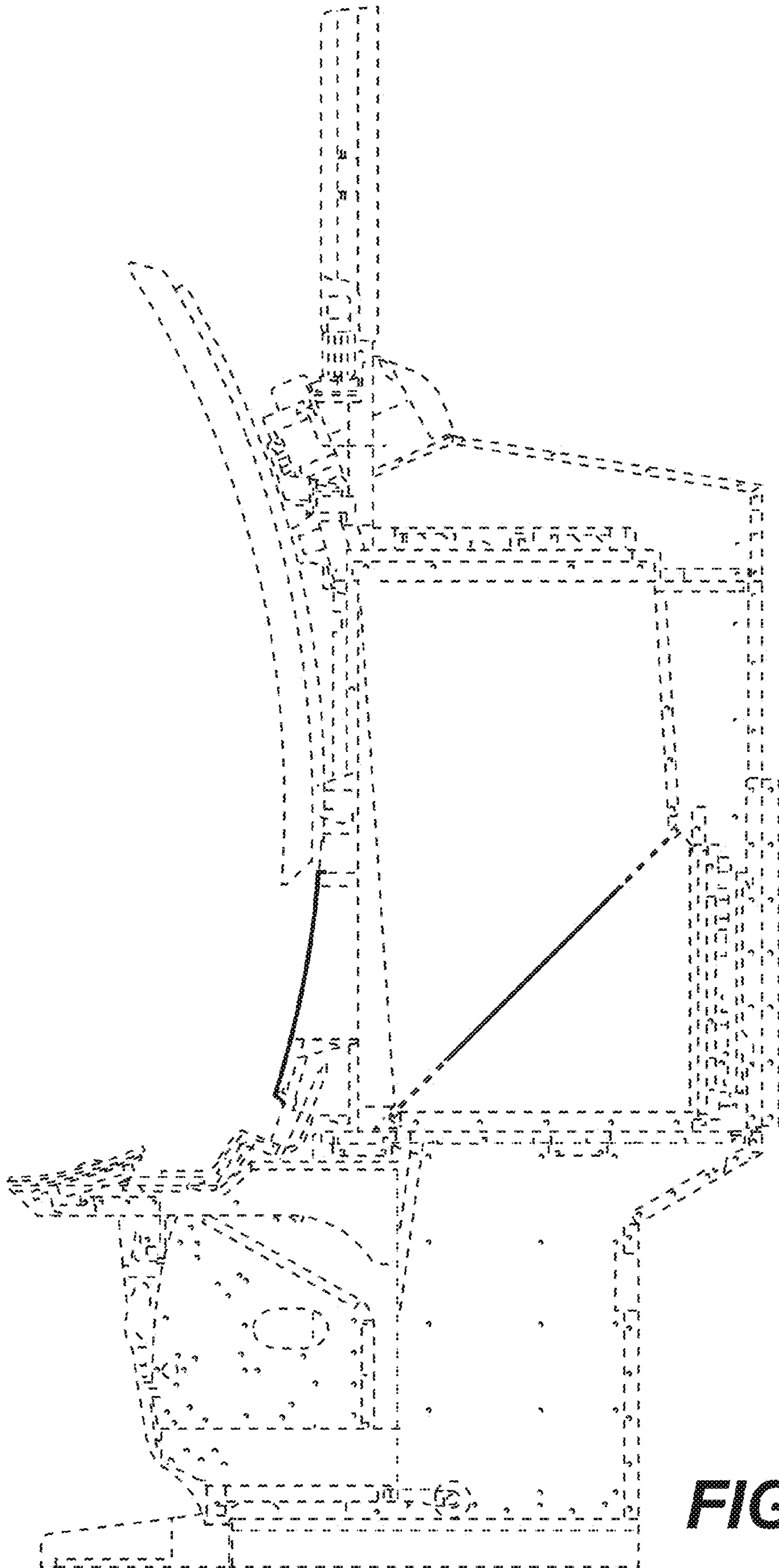
**FIG. 2**



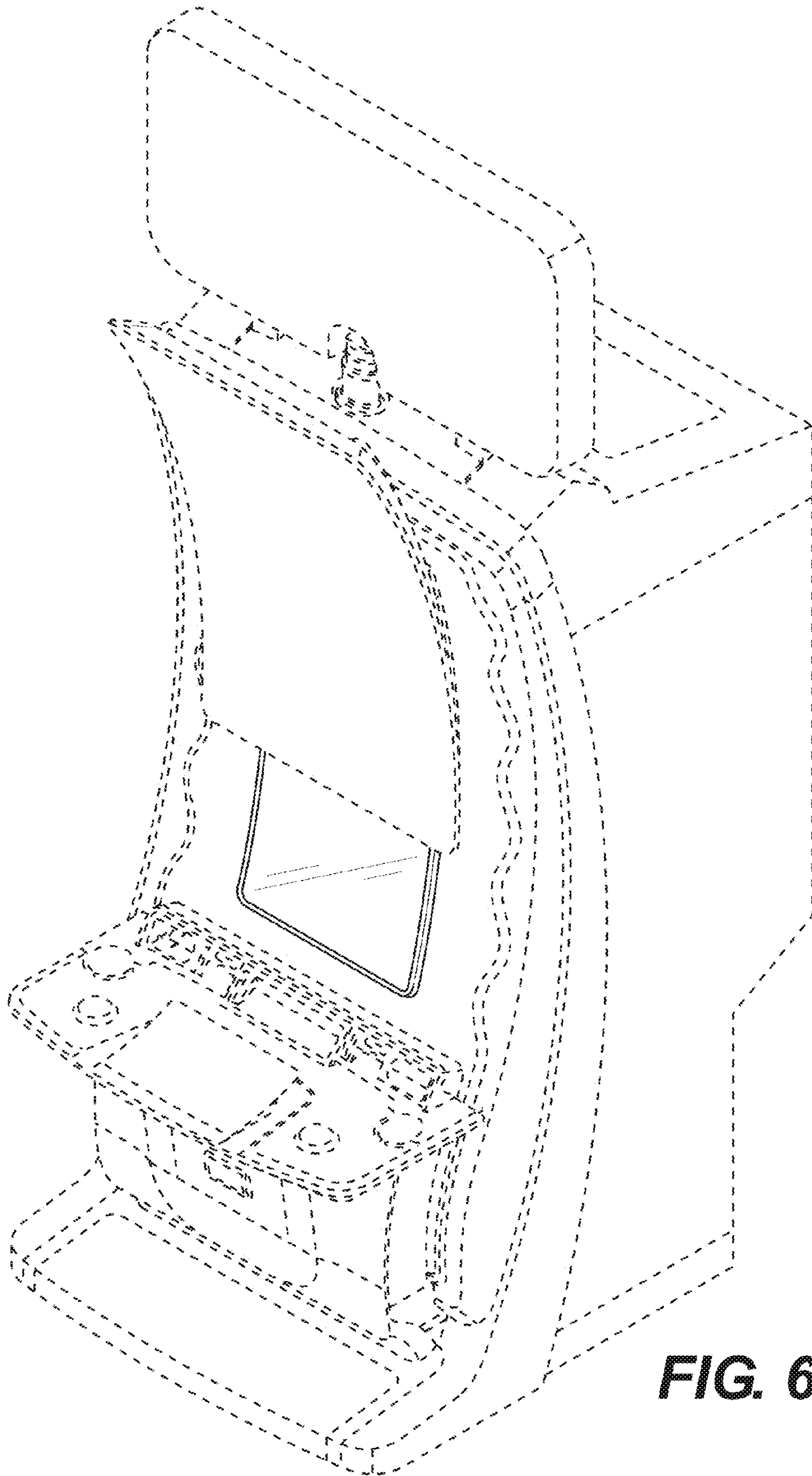
**FIG. 3**



**FIG. 4**

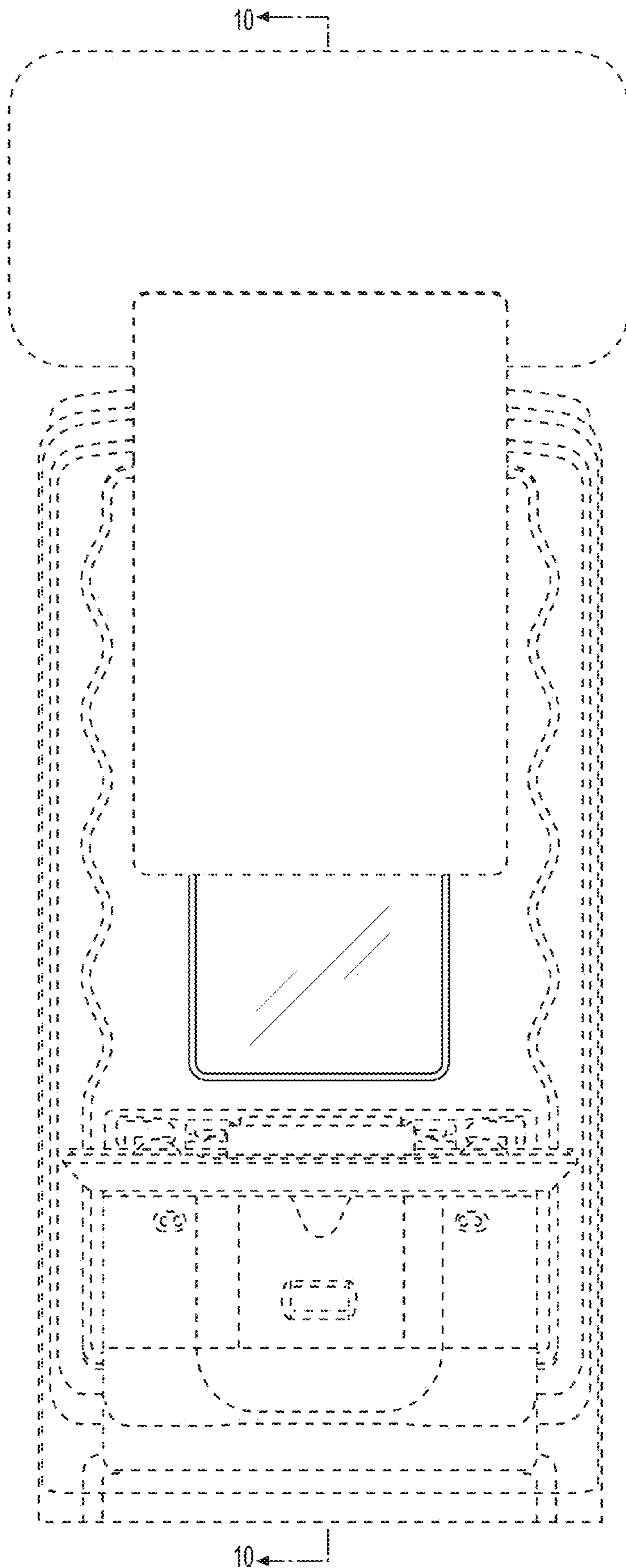


**FIG. 5**

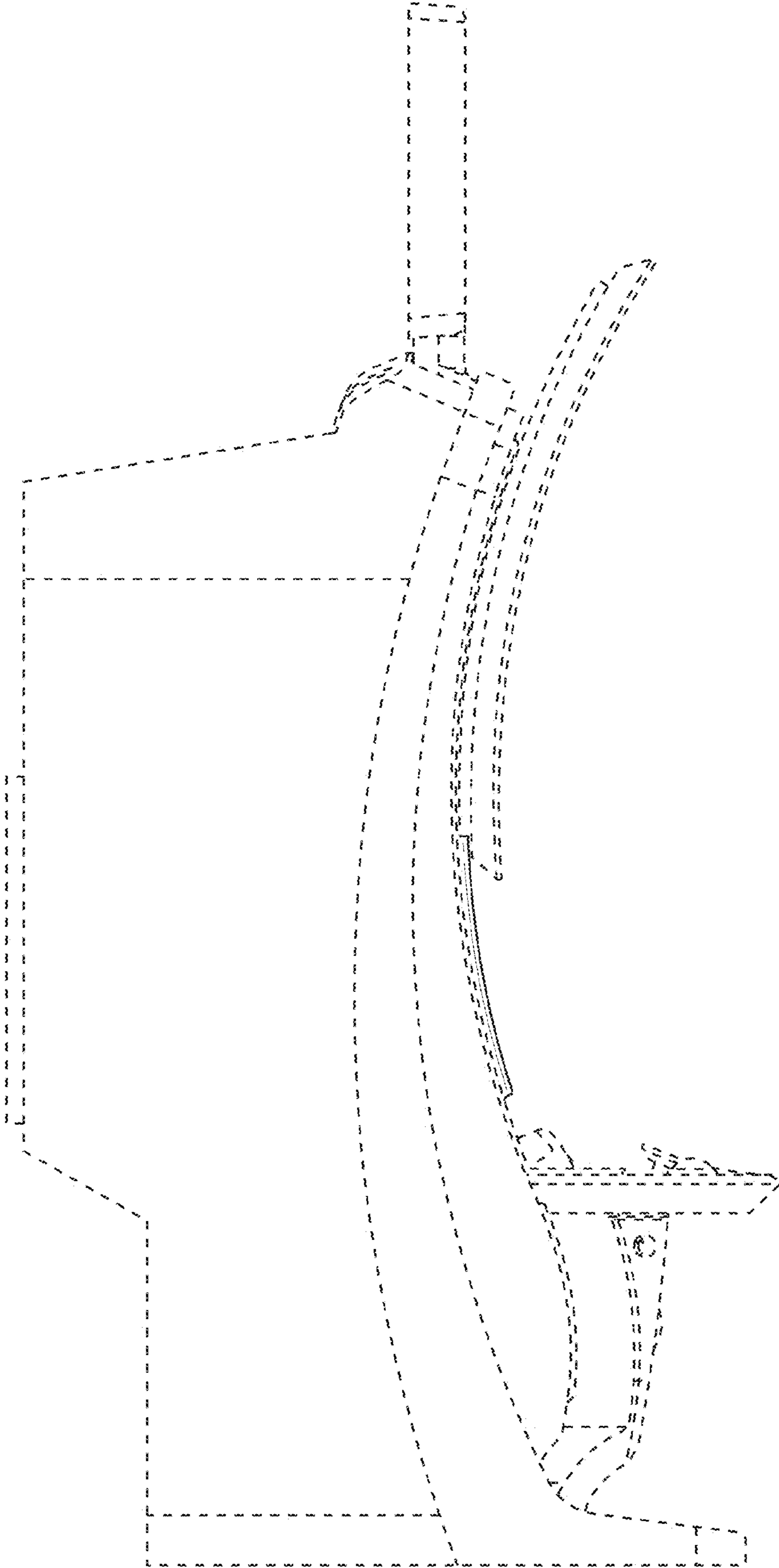


**FIG. 6**

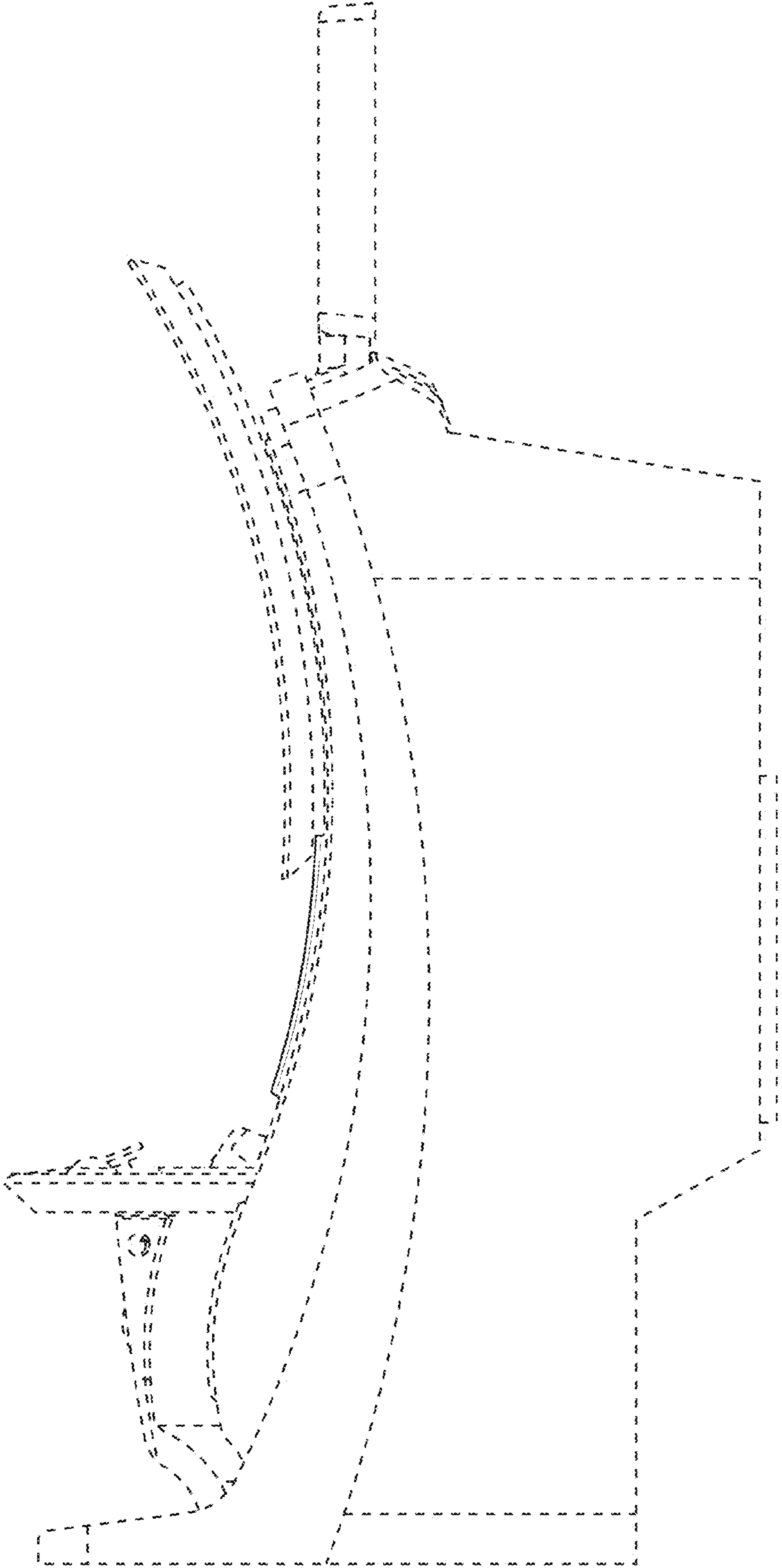




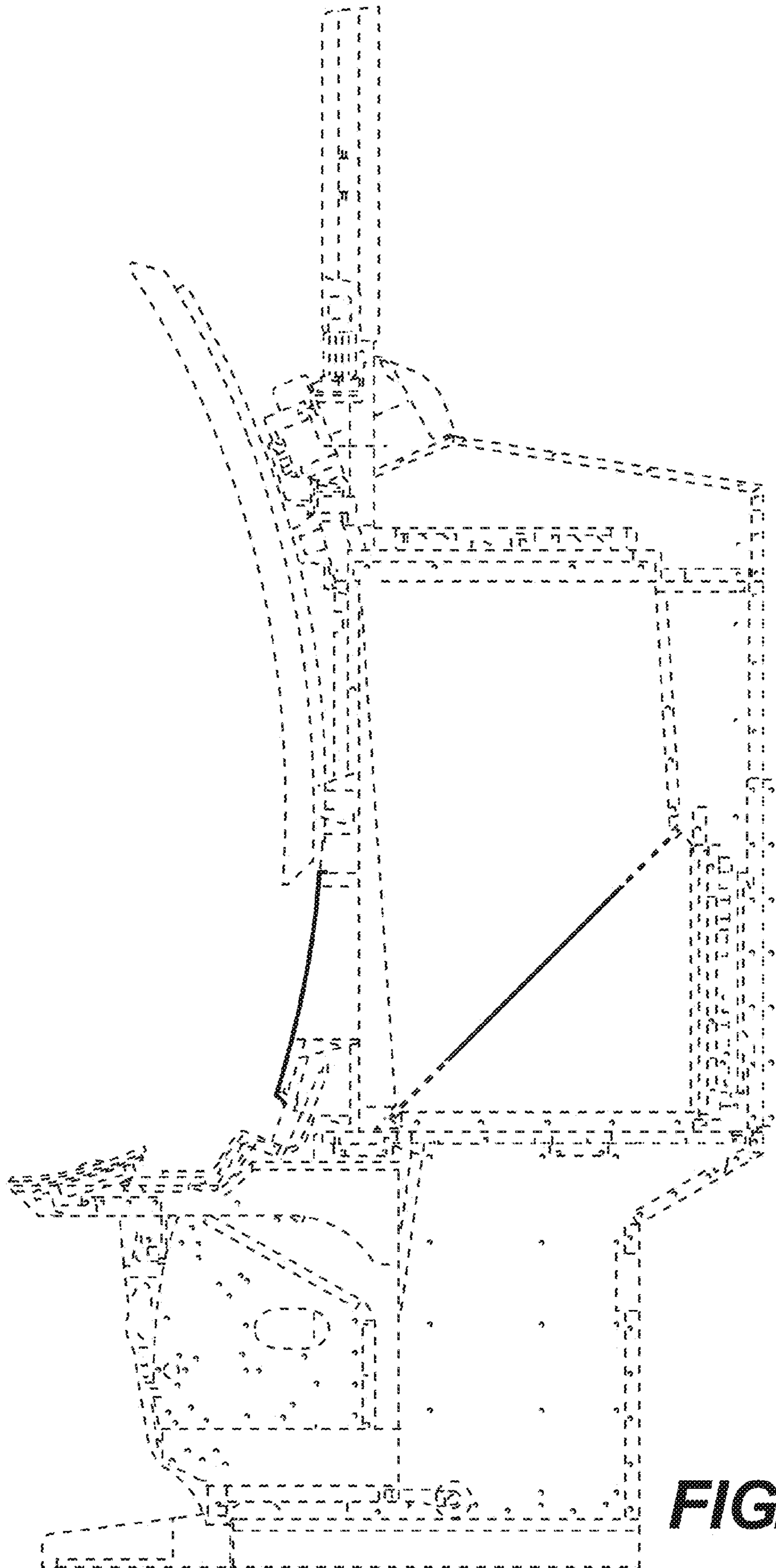
**FIG. 7**



**FIG. 8**



**FIG. 9**



**FIG. 10**