



US00D926887S

(12) **United States Design Patent** (10) **Patent No.:** **US D926,887 S**
Yang (45) **Date of Patent:** **** Aug. 3, 2021**

(54) **GAME CONTROLLER**
(71) Applicant: **SHENZHEN JIERUIHONG ELECTRONICS CO., LTD.**, Shenzhen (CN)
(72) Inventor: **Yumei Yang**, Shenzhen (CN)
(73) Assignee: **SHENZHEN JIERUIHONG ELECTRONICS CO., LTD.**, Shenzhen (CN)

D855,703 S * 8/2019 Chatterjee D21/333
D870,817 S * 12/2019 Yeung D21/333
D872,184 S * 1/2020 Chatterjee D21/333
D881,281 S * 4/2020 Tong D21/333
D882,690 S * 4/2020 Tsuchiya D21/333
D882,691 S * 4/2020 Tsuchiya D21/333
D885,387 S * 5/2020 Hu D14/401
D887,411 S * 6/2020 Li
D894,281 S * 8/2020 Wang D21/333

(Continued)

FOREIGN PATENT DOCUMENTS

WO WO-2018213501 A1 * 11/2018 A63F 13/24
WO WO-2018222420 A1 * 12/2018 G06F 3/044

(**) Term: **15 Years**

(21) Appl. No.: **29/749,111**

(22) Filed: **Sep. 2, 2020**

(51) **LOC (13) Cl.** **21-01**

(52) **U.S. Cl.**
USPC **D21/333**

(58) **Field of Classification Search**
USPC D21/324, 333, 385, 386; D14/218, 356, D14/387, 388, 389, 390, 399-406, D14/412-416, 426, 429, 443, 448, 449, D14/450, 454, 471, 496, 511; D12/174, D12/177; D13/164-168
CPC A63F 13/00; A63F 13/10; A63F 13/02; A63F 13/04; A63F 13/06; A63F 13/22; A63F 13/24; A63F 13/40; A63F 13/98
See application file for complete search history.

OTHER PUBLICATIONS

“Multifunction Wireless Bluetooth joystick”, posted 2021 [Online], [retrieved Mar. 29, 2021]. Retrieved from Internet, <https://www.globalsources.com/Joypad/joypad-1175189013p.htm#1175189013>.*

Primary Examiner — Kevin K Rudzinski
Assistant Examiner — Mehri Bajoul

(57) **CLAIM**

The ornamental design for a game controller, as shown and described.

DESCRIPTION

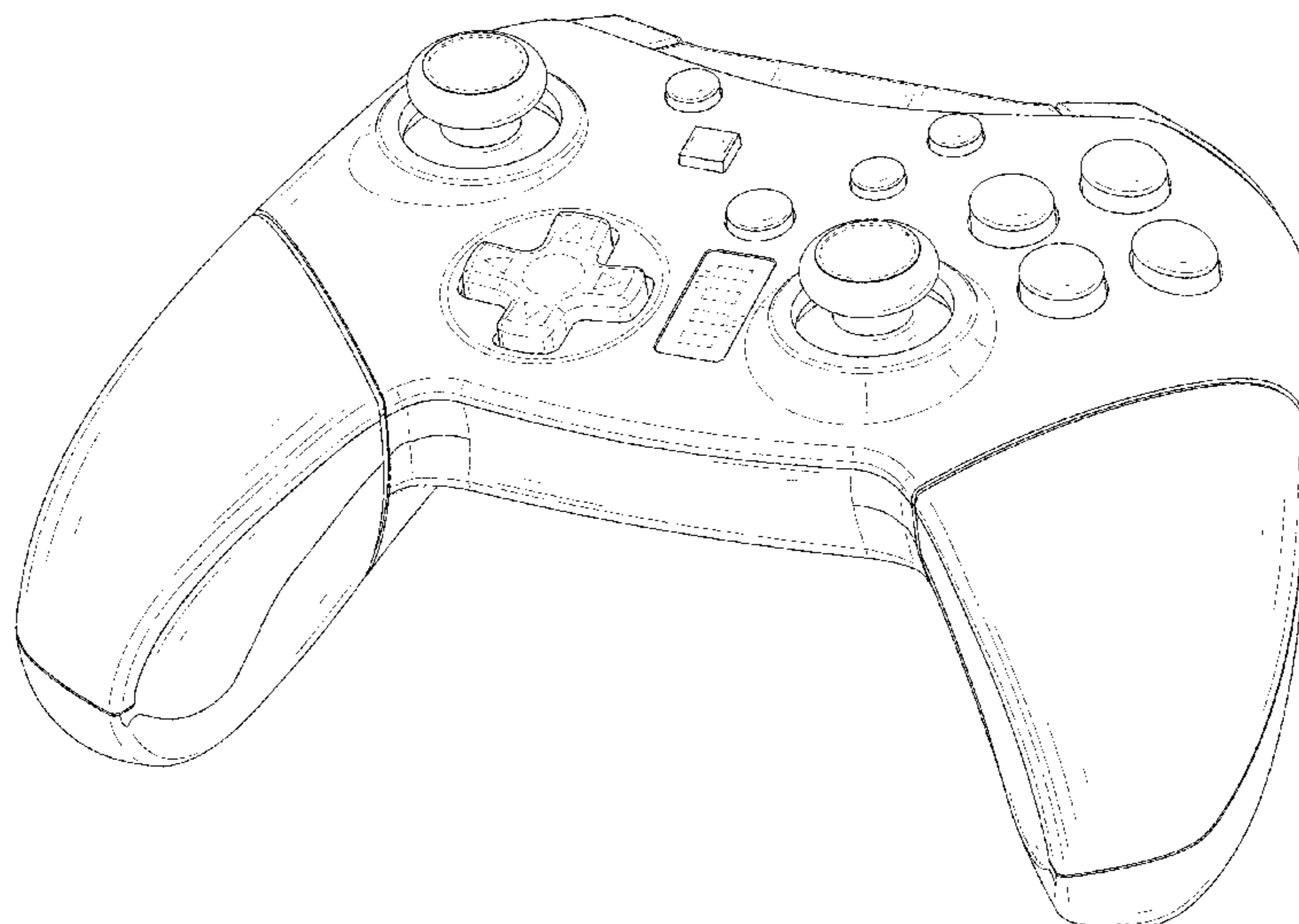
FIG. 1 is a perspective view of a game controller showing my new design;
FIG. 2 is another perspective view thereof;
FIG. 3 is a front elevational view thereof;
FIG. 4 is a rear elevational view thereof;
FIG. 5 is a left side elevational view thereof;
FIG. 6 is a right side elevational view thereof;
FIG. 7 is a top plan view thereof; and,
FIG. 8 is a bottom plan view thereof.
The broken lines in the drawings depict portions of the game controller that form no part of the claimed design.

(56) **References Cited**

U.S. PATENT DOCUMENTS

D766,376 S * 9/2016 Kujawski D21/333
D768,785 S 10/2016 Kim et al.
D794,129 S * 8/2017 Kujawski D21/333
D794,717 S * 8/2017 Kujawski D21/333
D799,599 S * 10/2017 Kujawski D21/333
D819,641 S * 6/2018 Tsuchiya D14/401
D823,945 S * 7/2018 Falc D21/333
D831,648 S * 10/2018 Tong D14/401
D847,265 S * 4/2019 Chatterjee D21/333
D847,904 S * 5/2019 Chatterjee D21/333

1 Claim, 8 Drawing Sheets



(56)

References Cited

U.S. PATENT DOCUMENTS

D897,441 S * 9/2020 Yang D21/333
D906,430 S * 12/2020 Feng D21/333
D907,119 S * 1/2021 Zhou D21/333
2018/0207523 A1* 7/2018 Lyden A63F 13/214

* cited by examiner

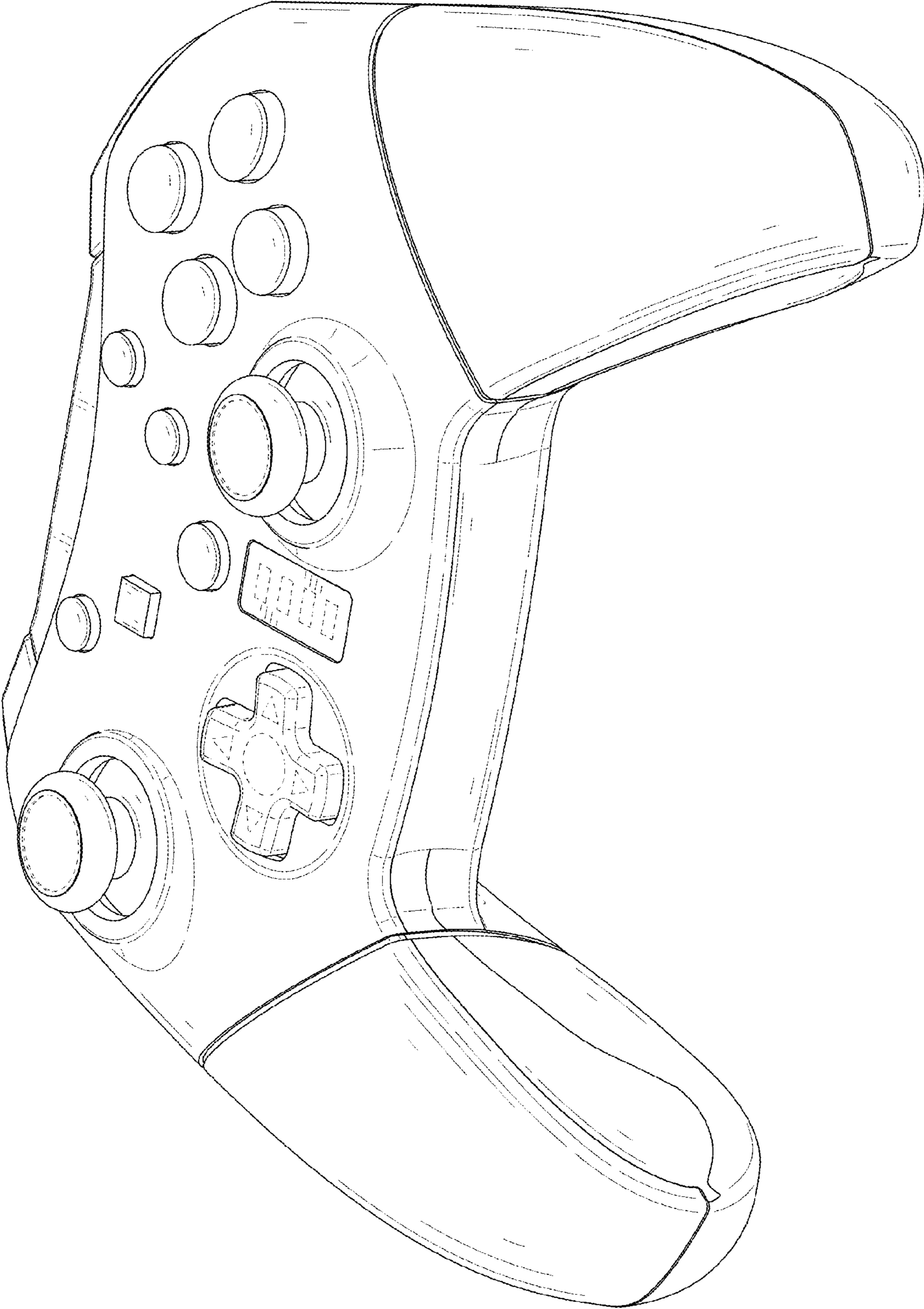


FIG. 1

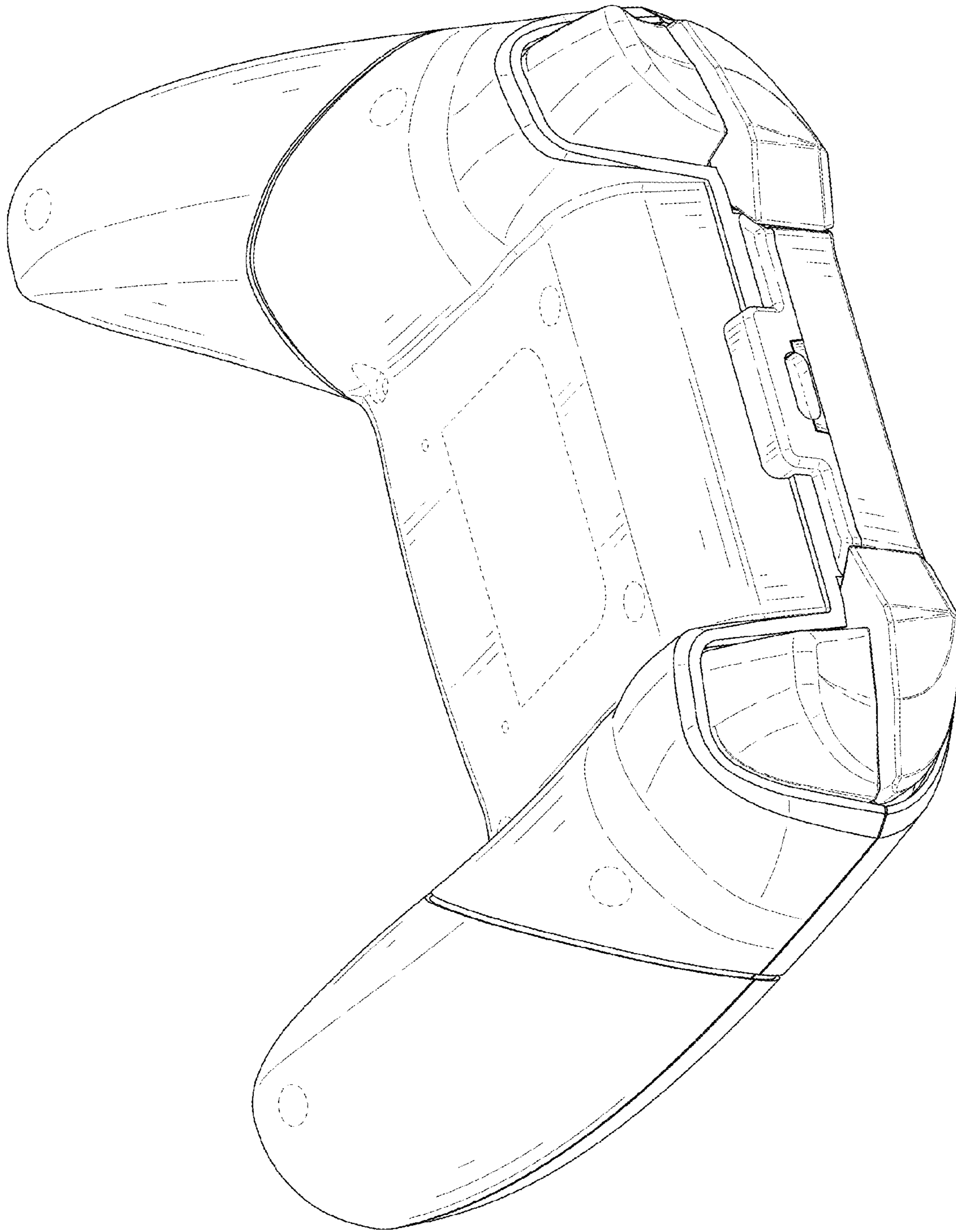


FIG. 2

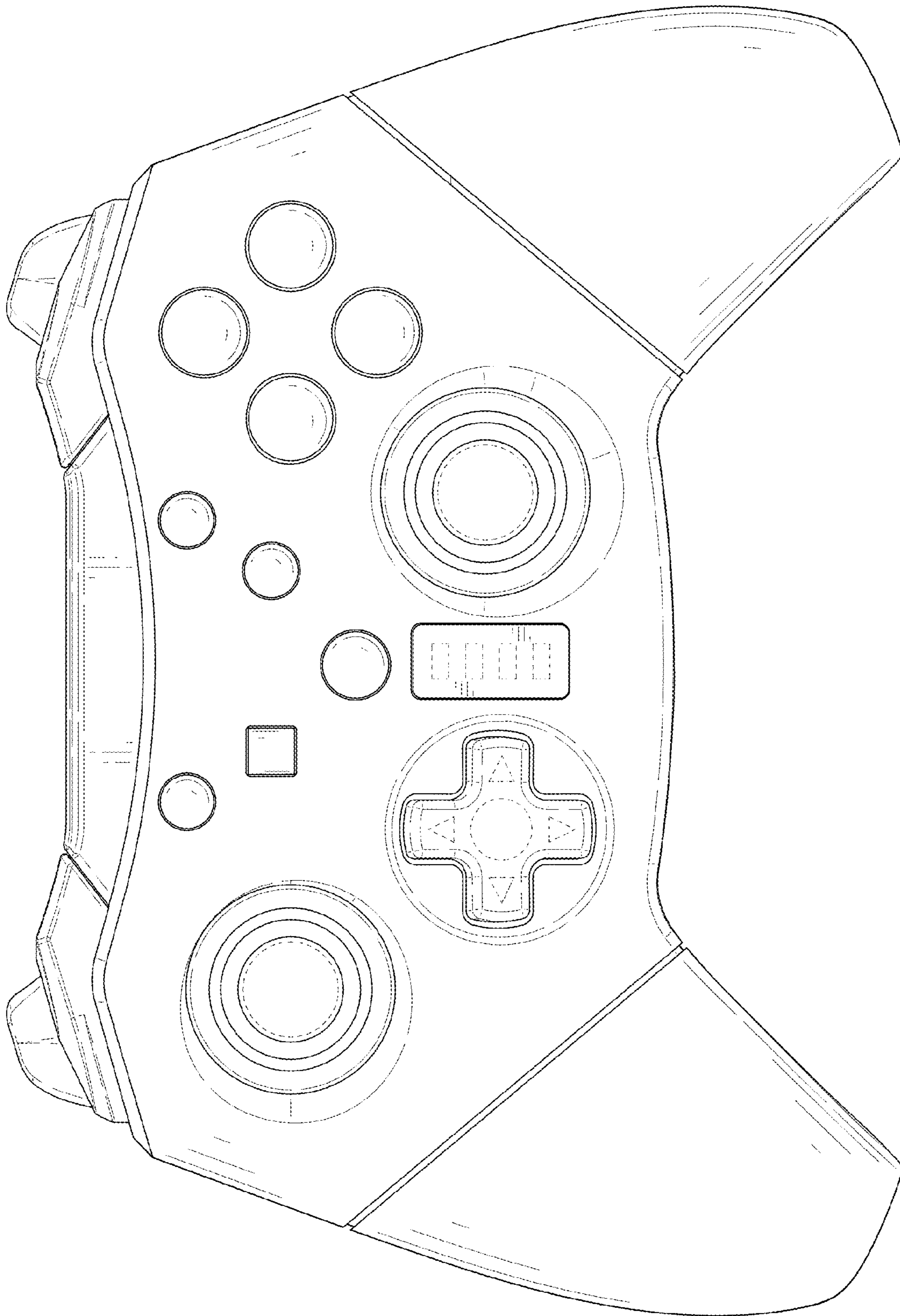


FIG. 3

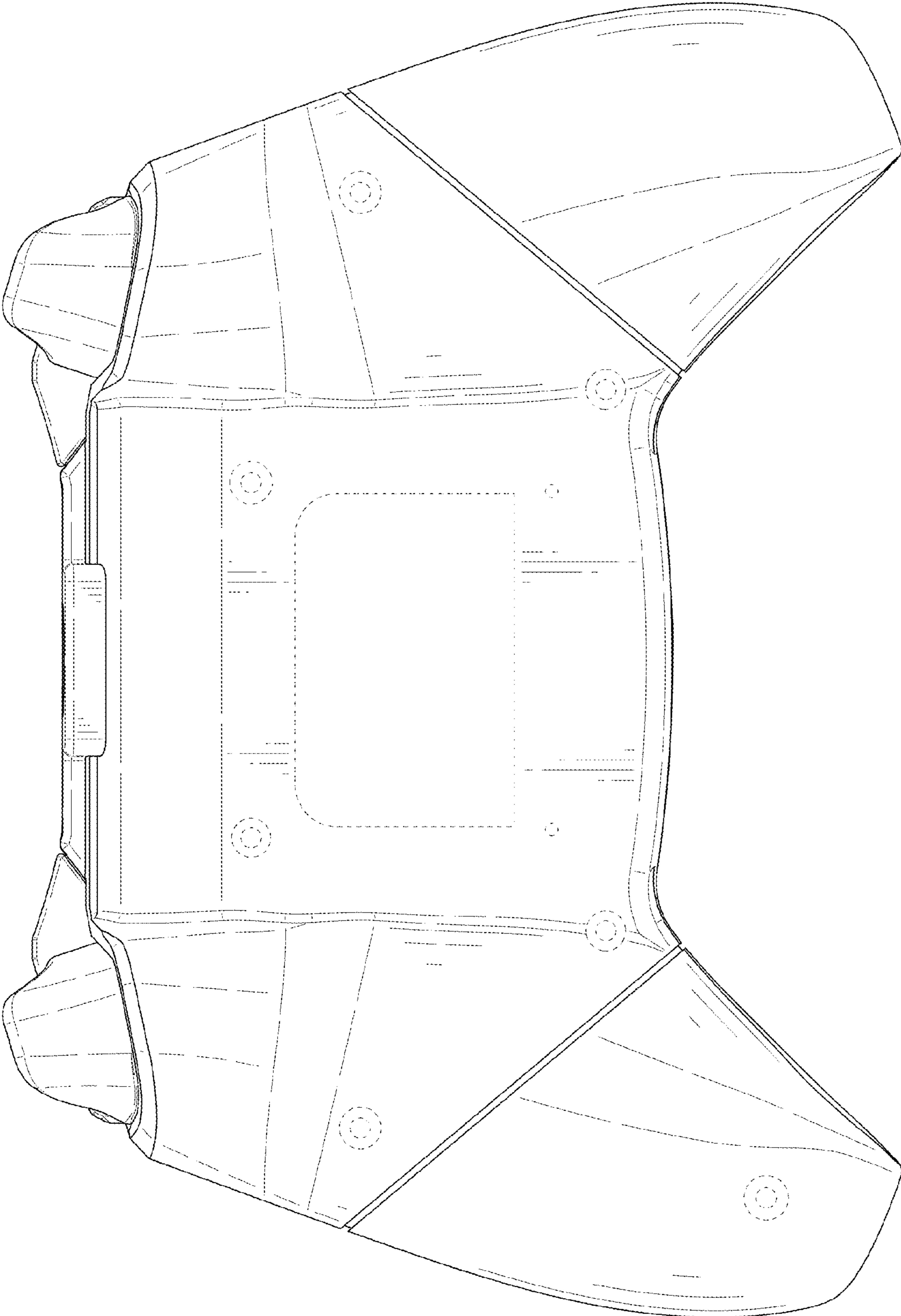


FIG. 4

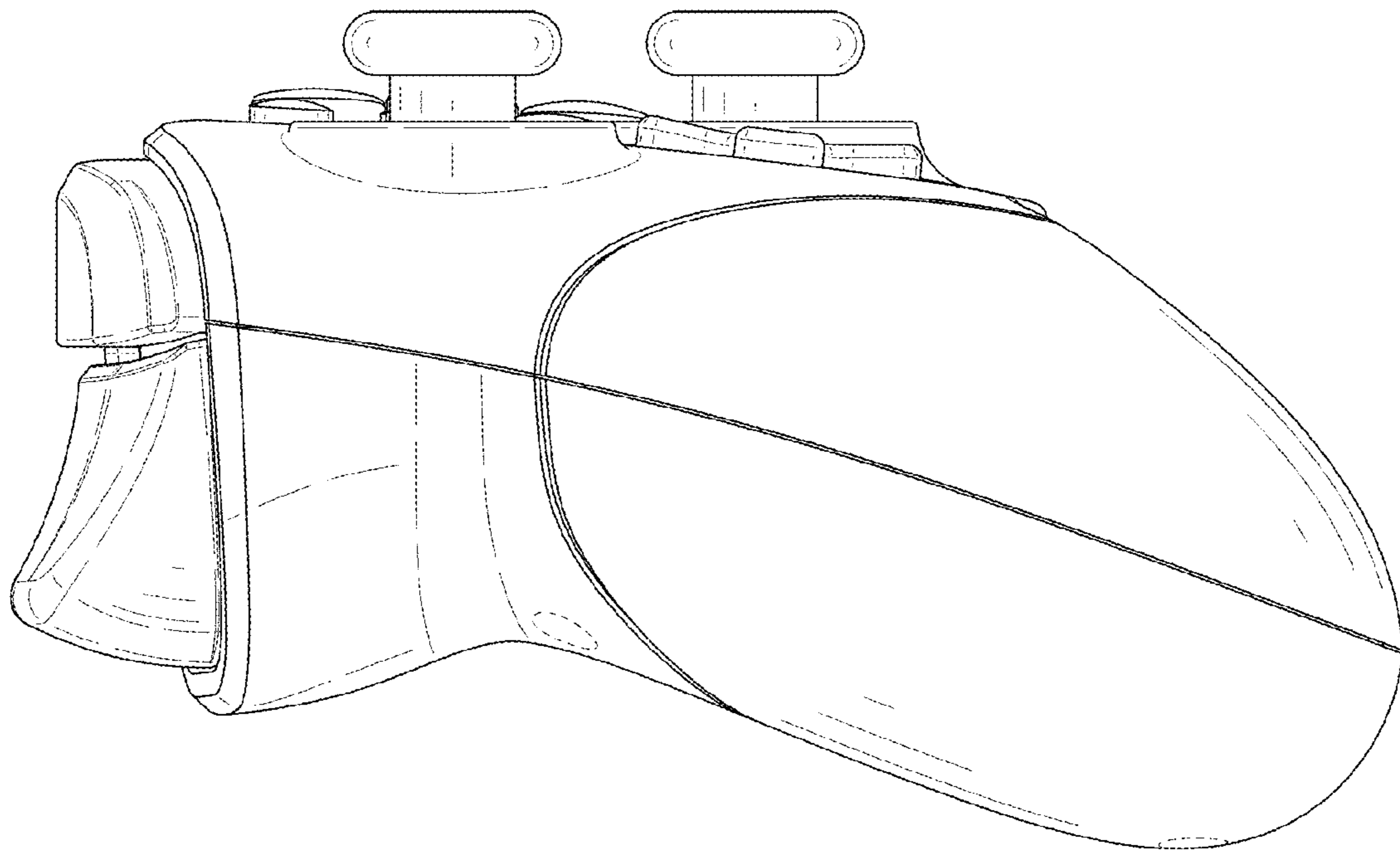


FIG. 5

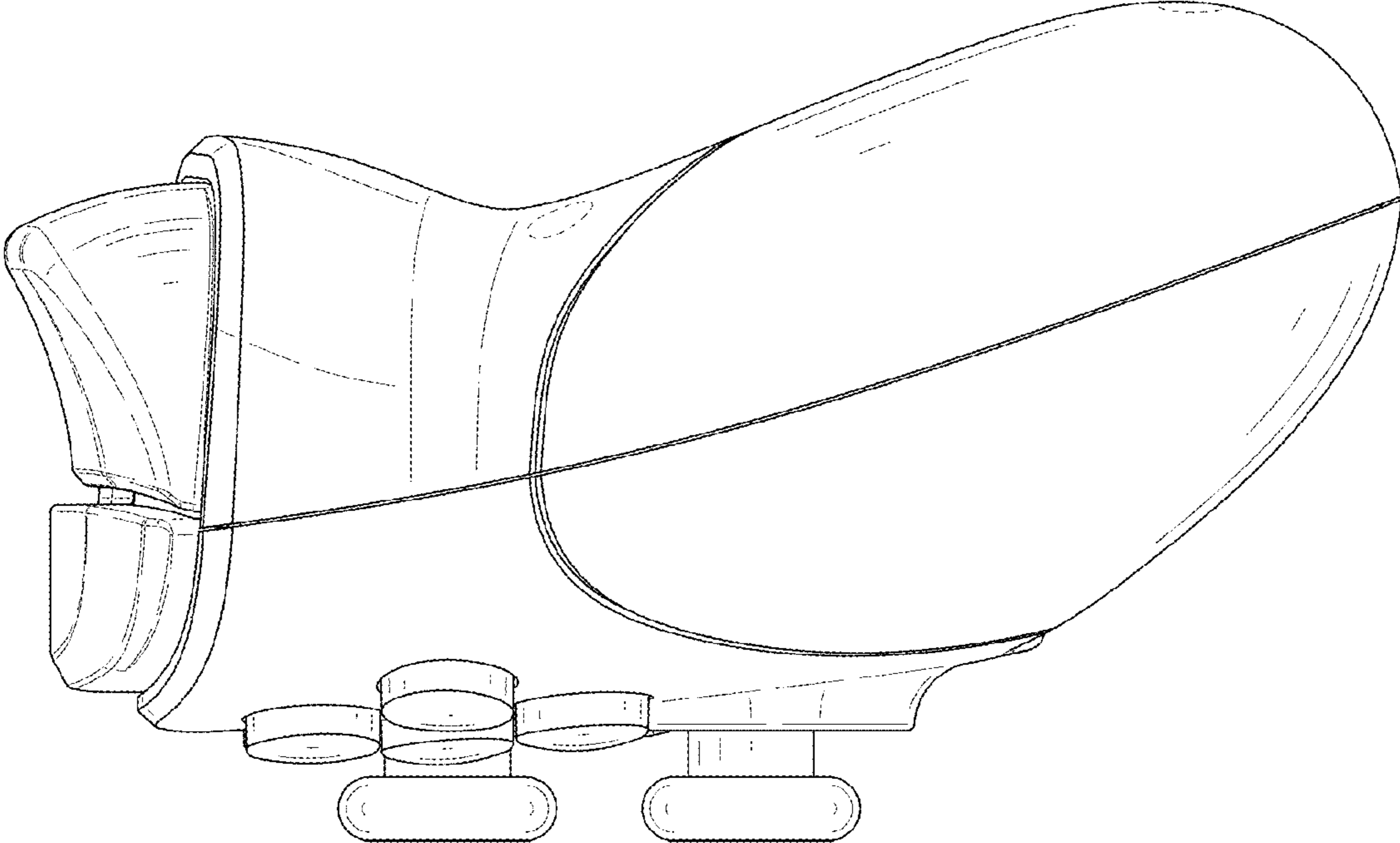


FIG. 6

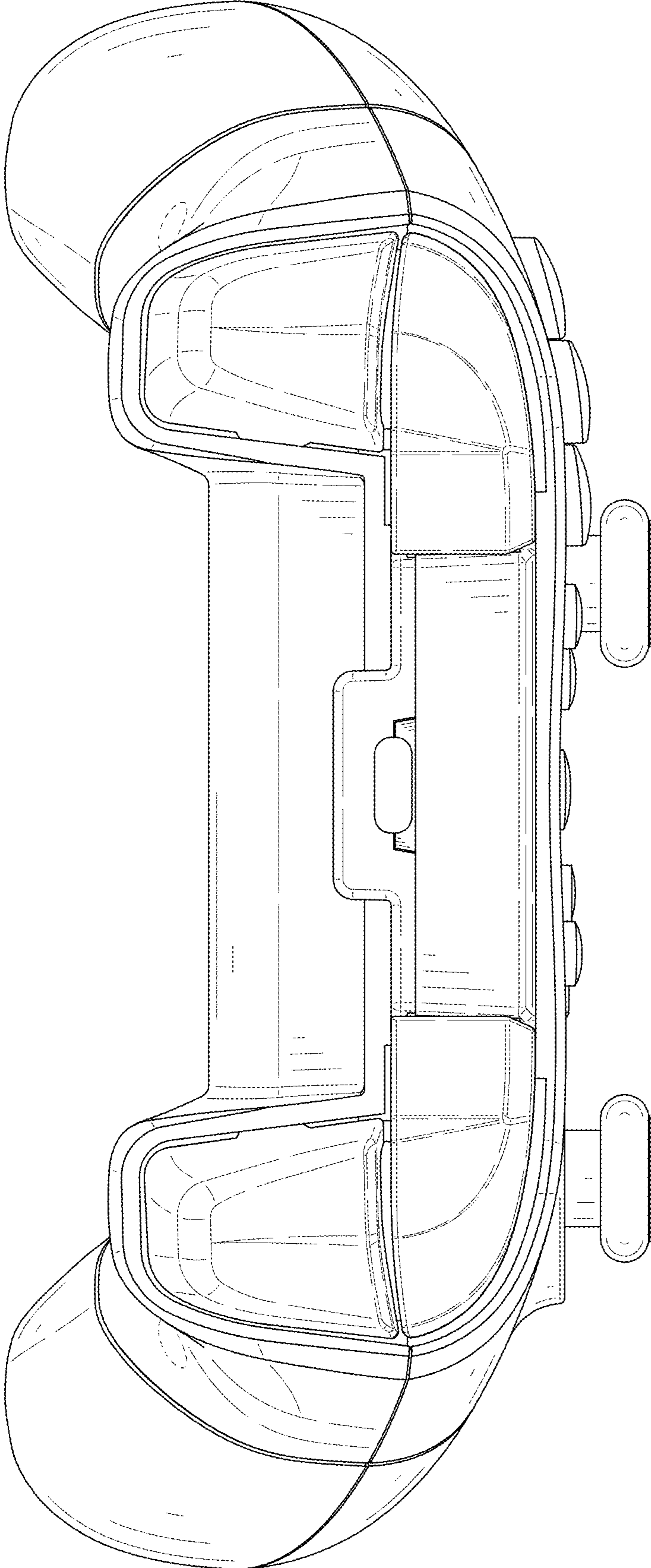


FIG. 7

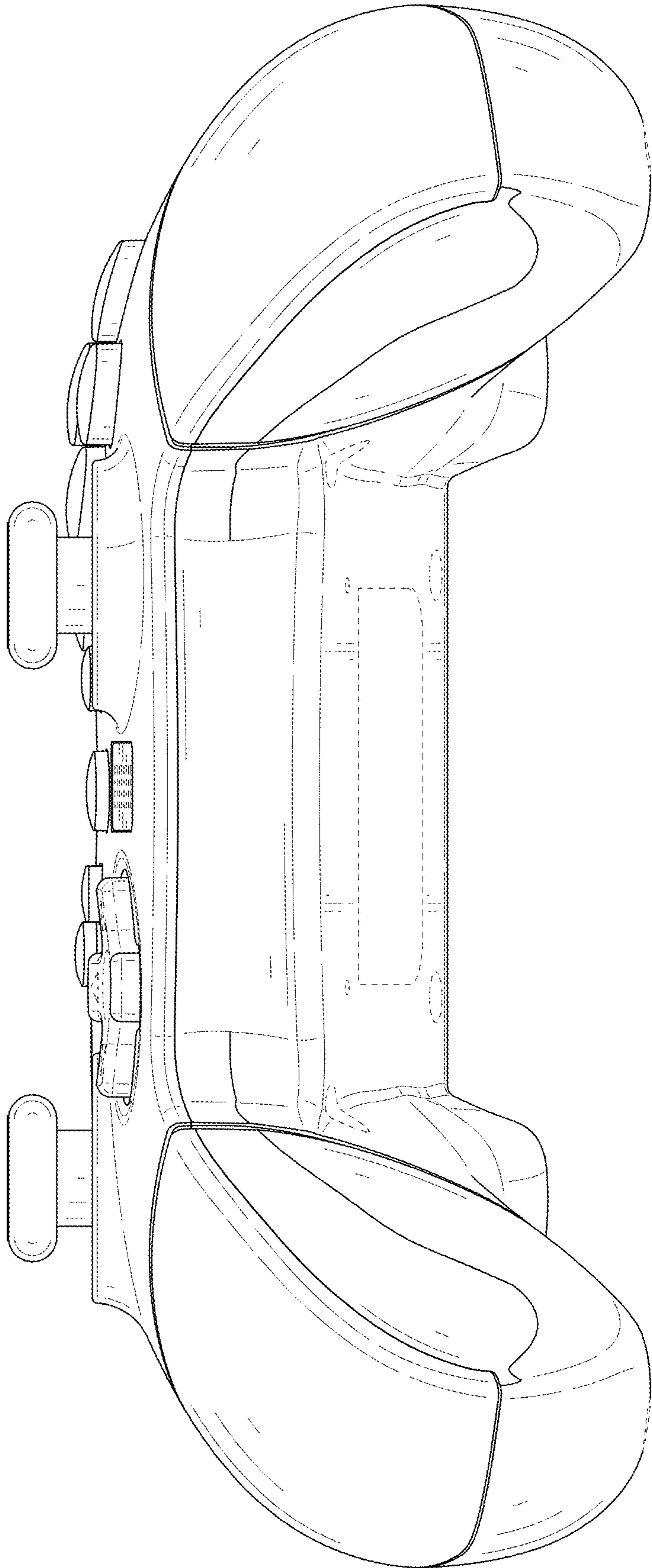


FIG. 8