



US00D926886S

(12) **United States Design Patent** (10) **Patent No.:** **US D926,886 S**
White et al. (45) **Date of Patent:** **** Aug. 3, 2021**

(54) **ELECTRONIC LABEL HOLDER**

(71) Applicant: **K-International, Inc.**, Waukegan, IL (US)

(72) Inventors: **Michael J. White**, Green Lake, WI (US); **Michael L. Sisko**, Kenosha, WI (US)

(73) Assignee: **K-International, Inc.**, Waukegan, IL (US)

(**) Term: **15 Years**

(21) Appl. No.: **29/726,883**

(22) Filed: **Mar. 6, 2020**

Related U.S. Application Data

(63) Continuation-in-part of application No. 16/536,596, filed on Aug. 9, 2019, now Pat. No. 10,706,749.

(51) **LOC (13) Cl.** **20-03**

(52) **U.S. Cl.**
USPC **D20/44; D20/43**

(58) **Field of Classification Search**
USPC D6/325, 328; D8/321, 349, 354, 355, D8/366, 371, 373, 380, 381, 400; D20/10, 42-44, 99; D25/119
(Continued)

(56) **References Cited**

U.S. PATENT DOCUMENTS

D141,048 S * 5/1945 Ketchum, Jr. D25/119
6,035,569 A 3/2000 Nagel et al.
(Continued)

OTHER PUBLICATIONS

K International Catalog No. 17, p. 92—Part Nos. 108857 and 108733W, Published Dec. 2019.

Primary Examiner — Mary Ann Calabrese

Assistant Examiner — Catherine Ho

(74) *Attorney, Agent, or Firm* — Schiff Hardin LLP

(57) **CLAIM**

We claim the ornamental design for an electronic label holder, as shown and described.

DESCRIPTION

FIG. 1 is a front perspective view of the first embodiment of an electronic label holder shown in an environment of use; FIG. 2 is a front, top, left perspective view of the first embodiment of an electronic label holder, showing our new design;

FIG. 3 is a perspective view taken from the back, bottom, right side thereof;

FIG. 4 is a front elevational view thereof;

FIG. 5 is a back elevational view thereof;

FIG. 6 is a side elevation view from the right-hand side thereof;

FIG. 7 is a side elevation view from the left-hand side thereof;

FIG. 8 is a top plan view thereof;

FIG. 9 is a bottom plan view thereof;

FIG. 10 is a side perspective view of the first embodiment of an electronic label holder shown in a tilted position in an environment of use;

FIG. 11 is a top, front, left perspective view of the second embodiment of an electronic label holder;

FIG. 12 is a perspective view from the bottom, back, right side thereof;

FIG. 13 is a front elevational view thereof;

FIG. 14 is a back elevational view thereof;

FIG. 15 is a side elevational view from the right side thereof;

FIG. 16 is a side elevational view from the left side thereof

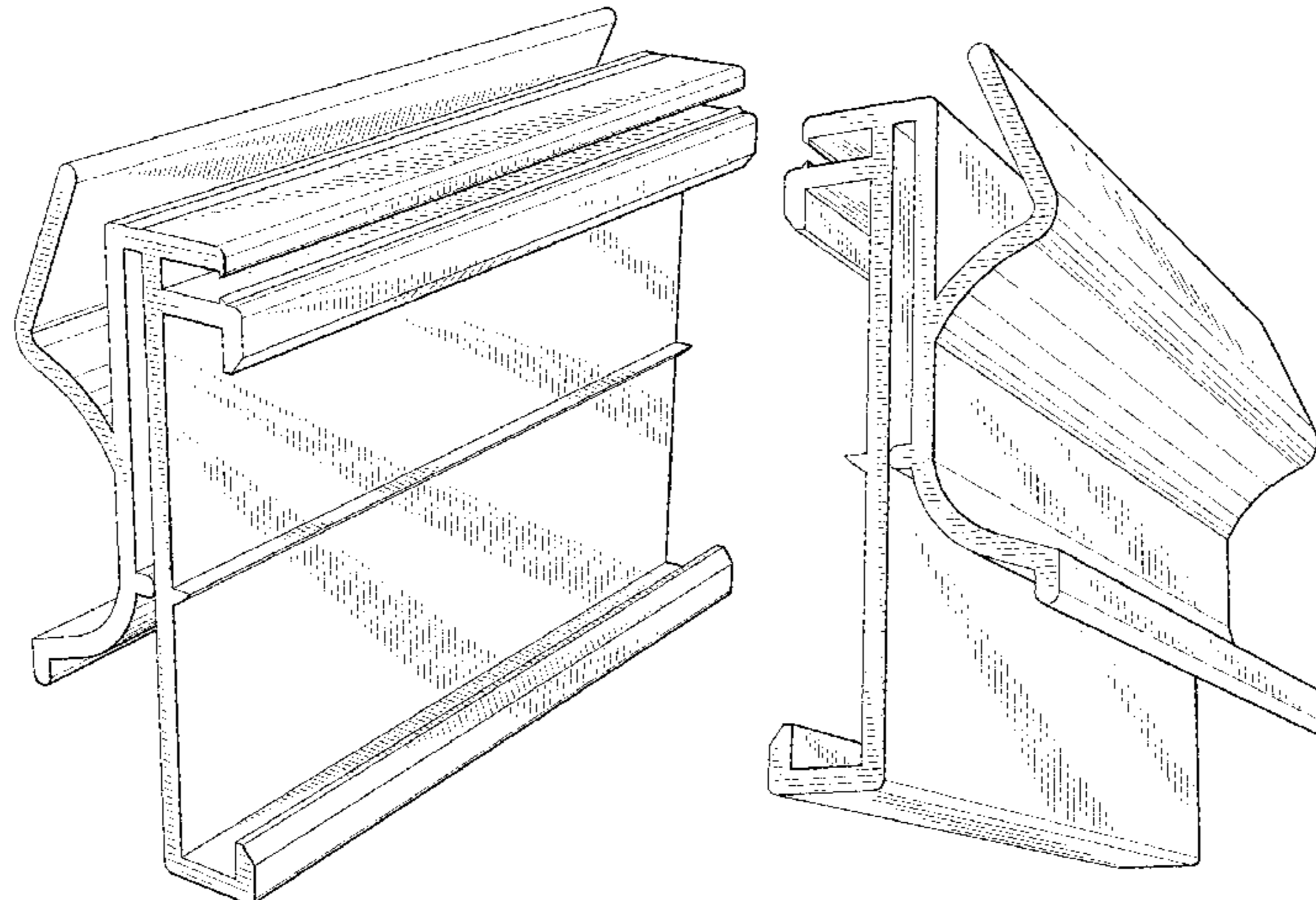
FIG. 17 is a top plan view thereof; and,

FIG. 18 is a bottom plan view thereof.

The broken lines in FIGS. 1 and 10 illustrate the environment, which forms no part of the claimed design.

In FIGS. 11-14, 17, and 18, the electronic label holder is shown with a symbolic break in its length. The appearance

(Continued)



of any portion of the electronic label holder between the break lines forms no part of the claimed design.

1 Claim, 8 Drawing Sheets

(58) Field of Classification Search

CPC G09F 7/16; G09F 2007/122; G09F 13/00; G09F 13/04; G09F 13/06; G09F 13/18; G09F 13/22; G09F 13/24; G09F 13/26; G09F 2013/1895; G09F 15/00; B29C 65/52; B29C 65/56; B23P 19/00; B32B 37/02; B32B 38/00

See application file for complete search history.

(56) References Cited

U.S. PATENT DOCUMENTS

6,119,990 A 9/2000 Kump et al.
 D453,798 S * 2/2002 Gray D20/43
 D473,662 S * 4/2003 Shaw D25/119
 6,553,702 B1 4/2003 Bacnik
 D476,375 S * 6/2003 Zadak D20/43

D485,582 S * 1/2004 Valiulis D20/44
 D487,115 S * 2/2004 Kosir D20/43
 6,935,062 B2 8/2005 Lowry et al.
 7,455,081 B2 11/2008 Bacnik
 D645,095 S * 9/2011 Garfinkle D20/44
 D693,483 S * 11/2013 Krieger E04F 13/0826
 D732,702 S * 6/2015 Gallien D25/119
 D791,360 S * 7/2017 Singh D25/119
 D791,361 S * 7/2017 Singh D25/119
 D829,823 S * 10/2018 White D20/43
 D830,813 S * 10/2018 Garfinkle D8/354
 D853,589 S * 7/2019 Jackson D25/119
 D858,721 S * 9/2019 Gori D23/267
 D859,140 S * 9/2019 Kovacs D8/499
 D859,610 S * 9/2019 Gori D23/267
 D872,884 S * 1/2020 Carter D25/119
 D874,025 S * 1/2020 Kittur D25/119
 D875,898 S * 2/2020 Gori D23/267
 D891,904 S * 8/2020 Naugler D8/349
 D892,602 S * 8/2020 White D8/380
 D899,523 S * 10/2020 Rollins D20/43
 D899,632 S * 10/2020 Roberts D25/119
 D902,693 S * 11/2020 Freeman D8/349
 2005/0133676 A1 * 6/2005 Brinkman A47F 5/0869
 248/223.41

* cited by examiner

FIG. 1

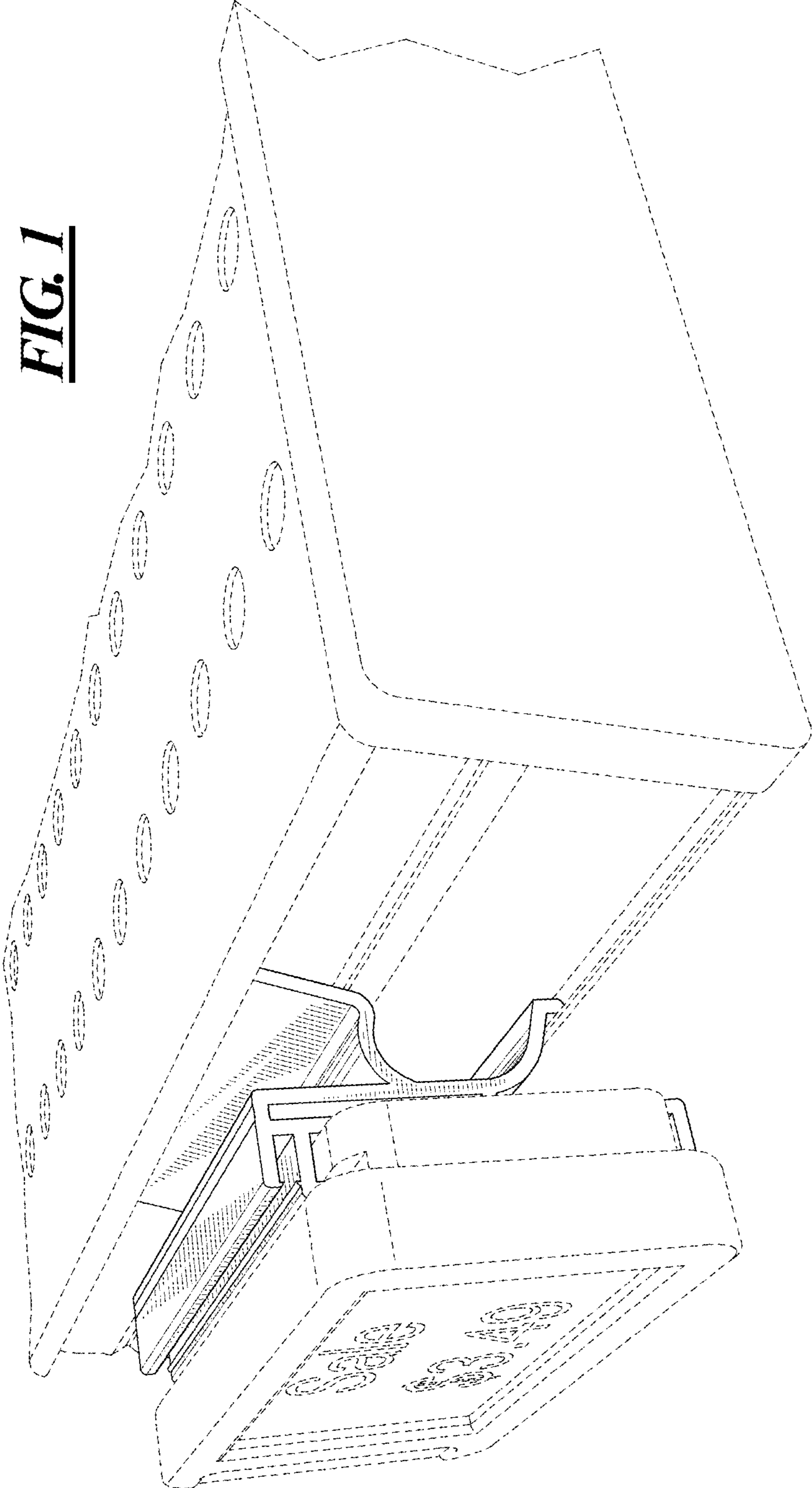


FIG. 3

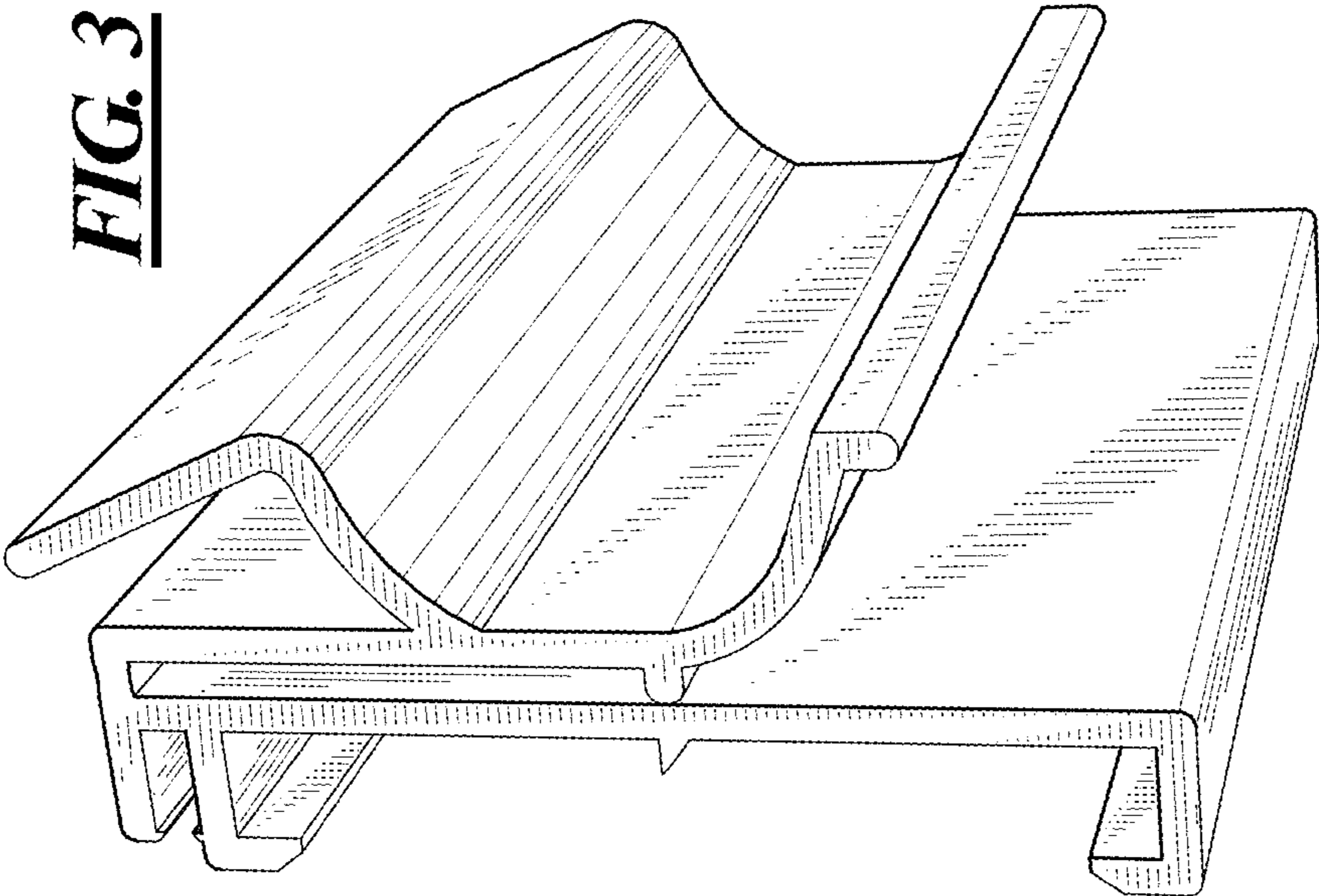


FIG. 2

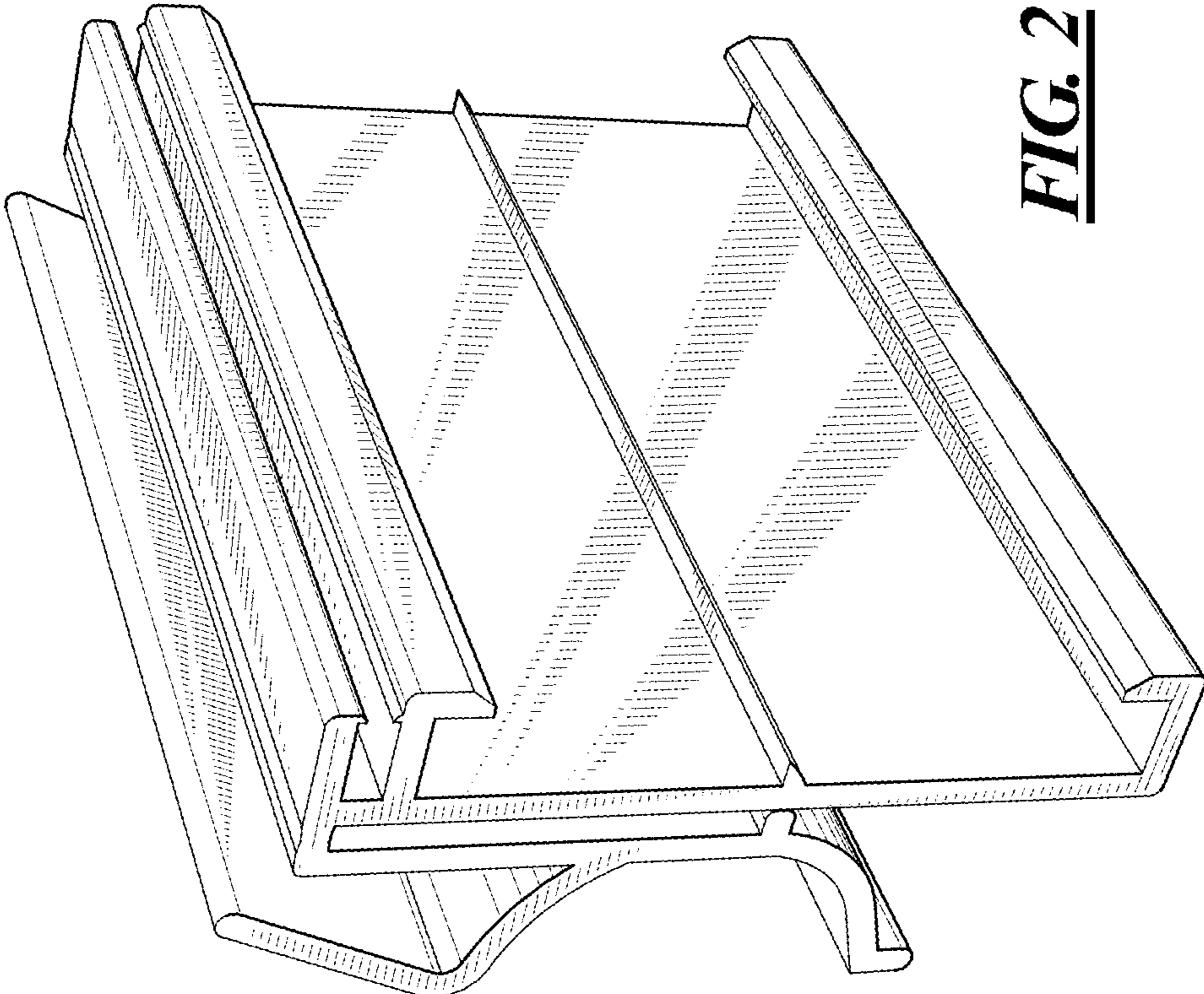


FIG. 5

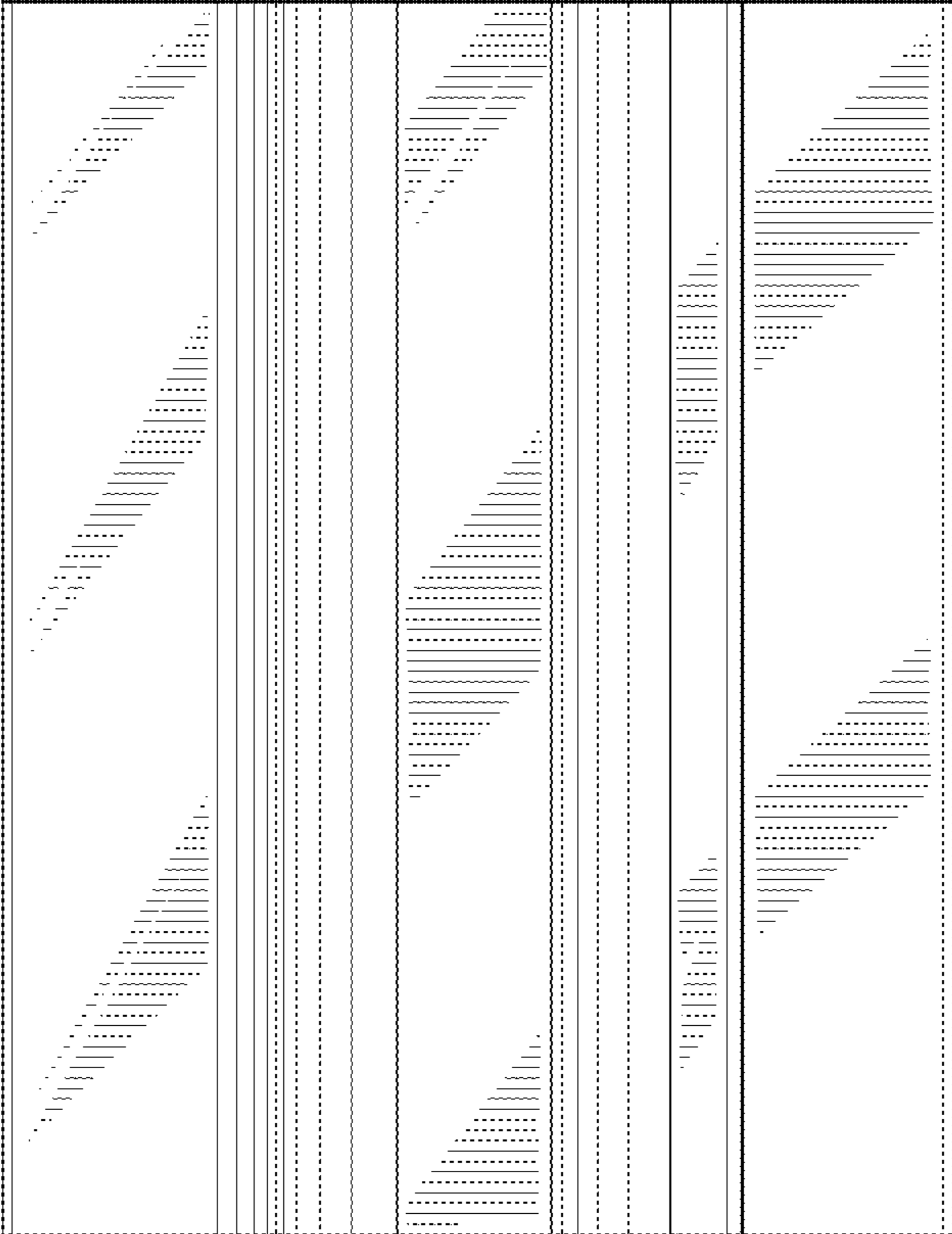


FIG. 4

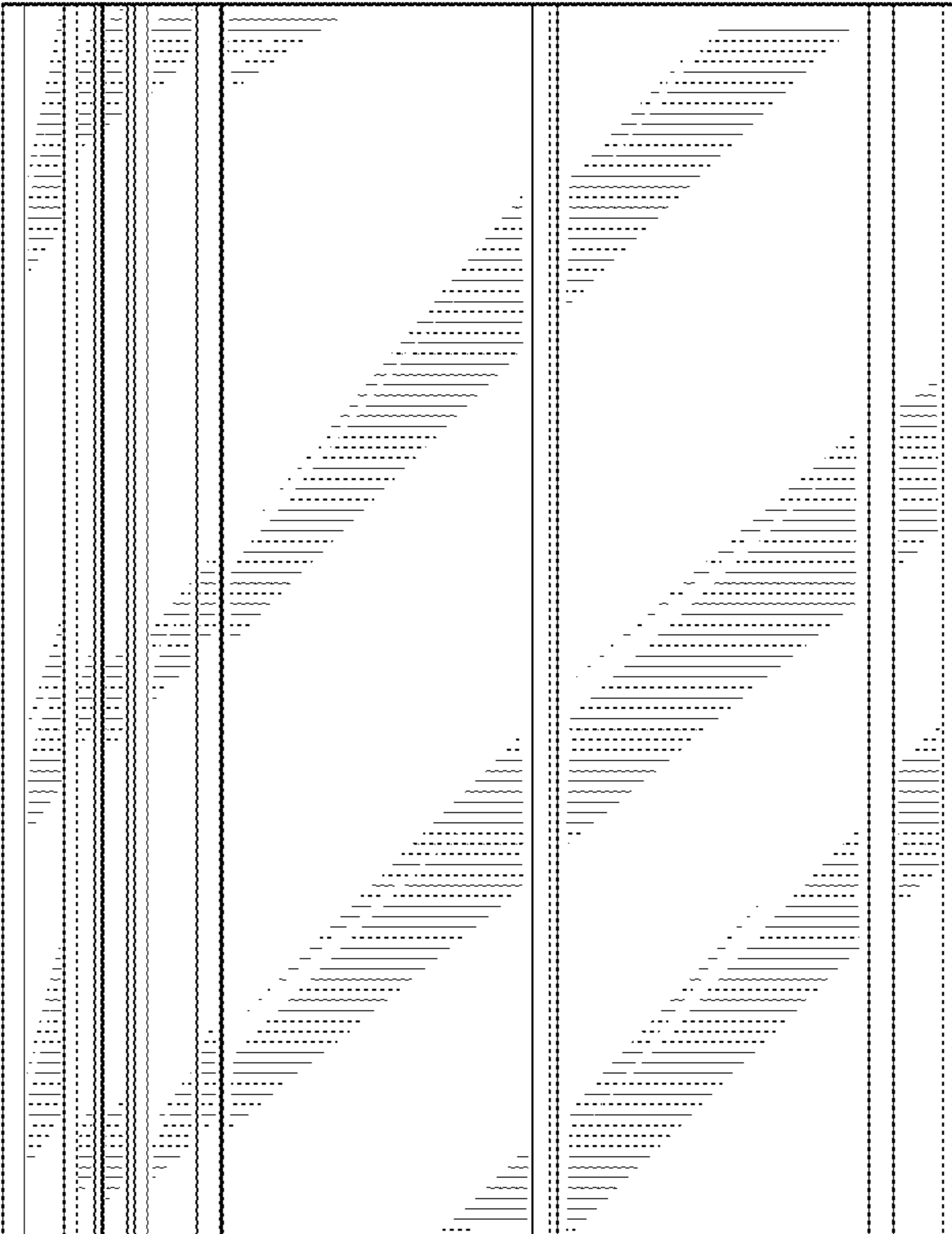


FIG. 8

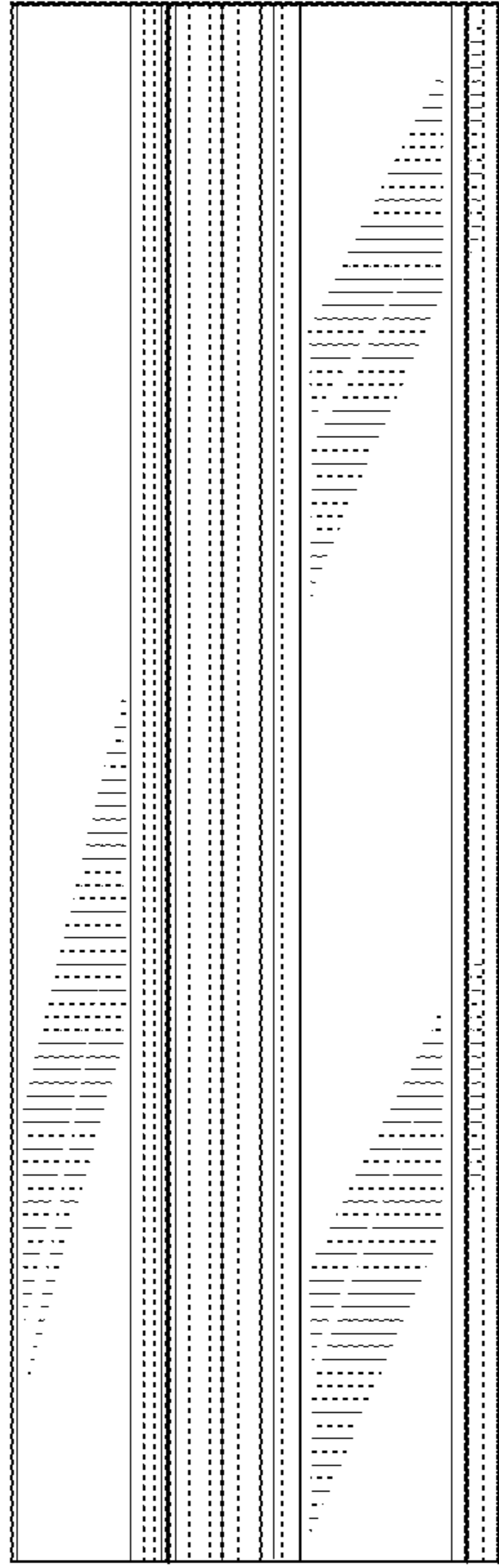


FIG. 9

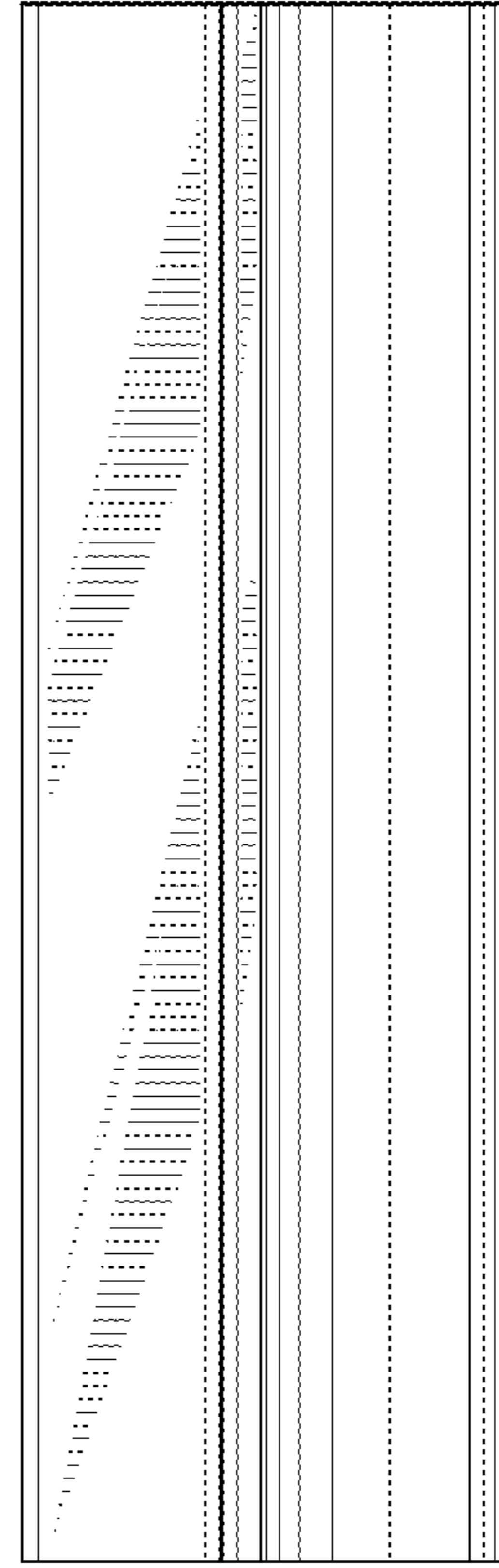


FIG. 7

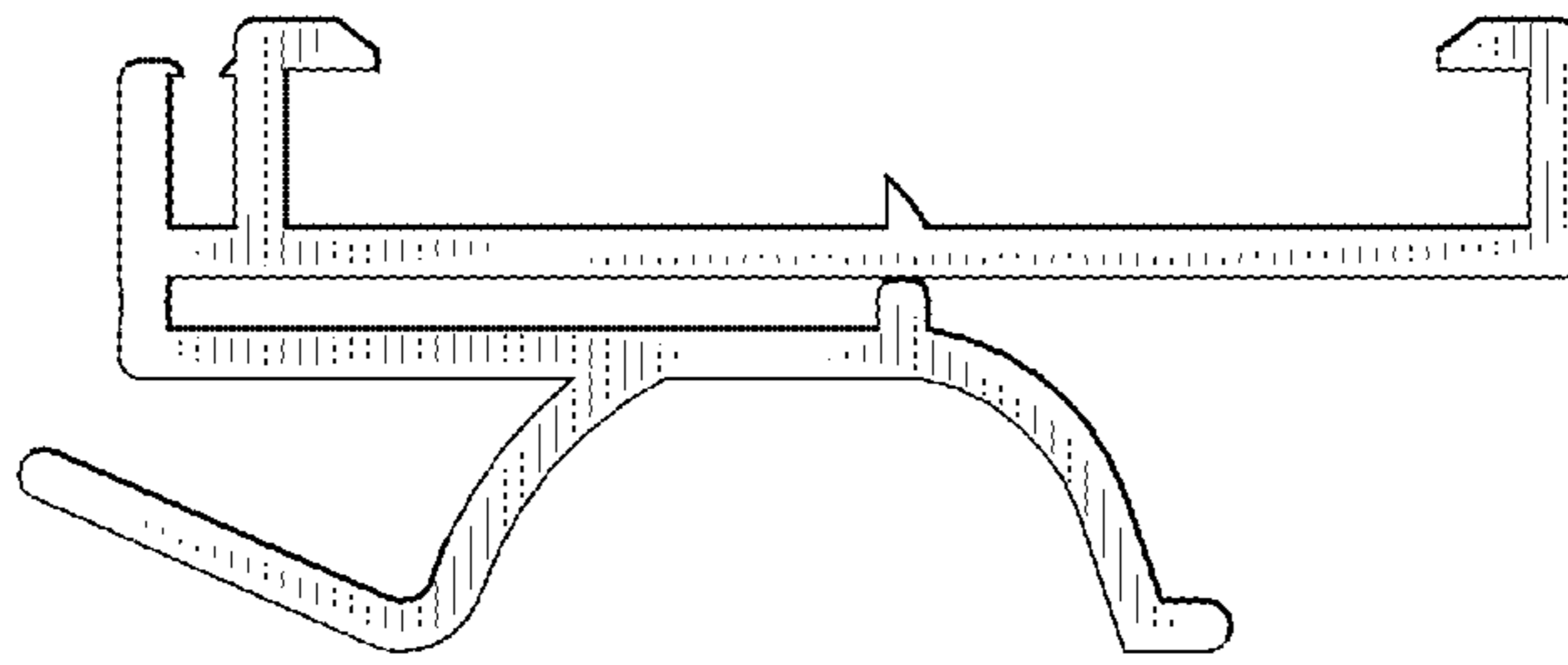


FIG. 6

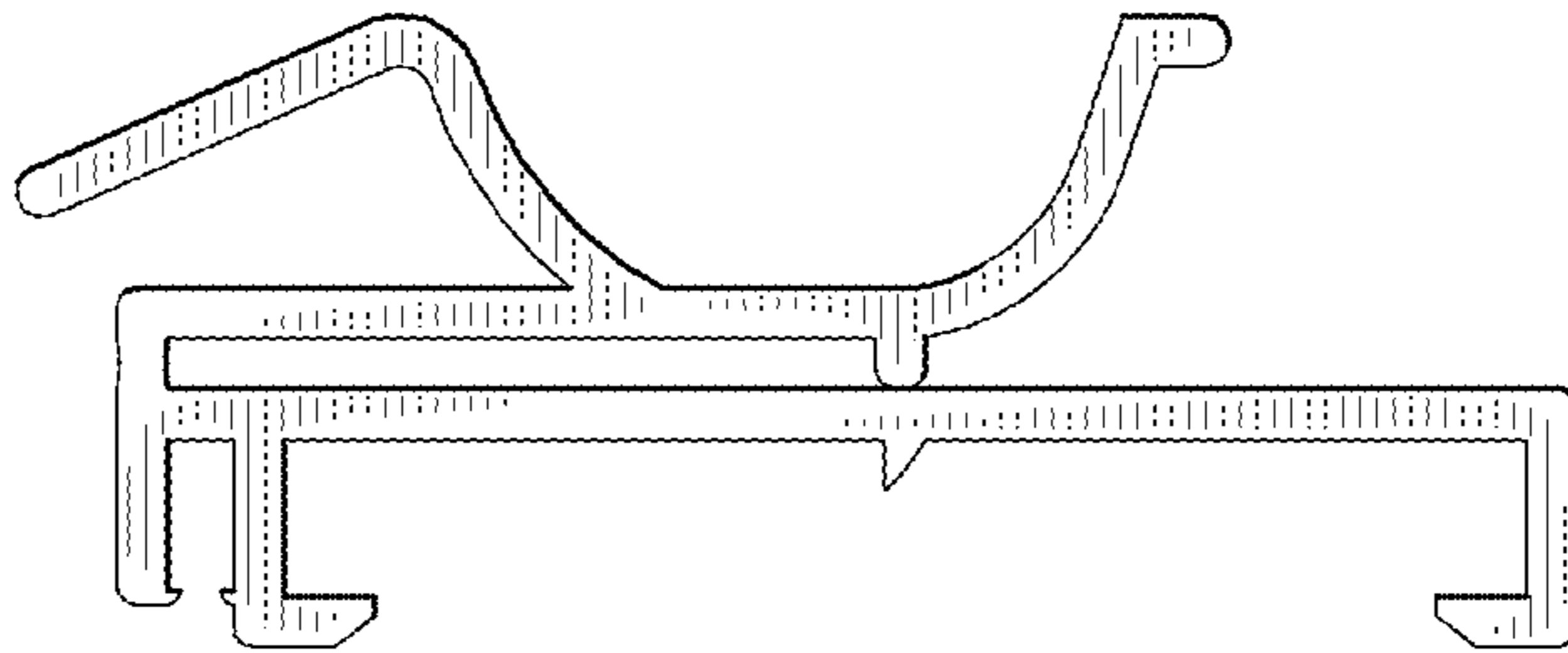
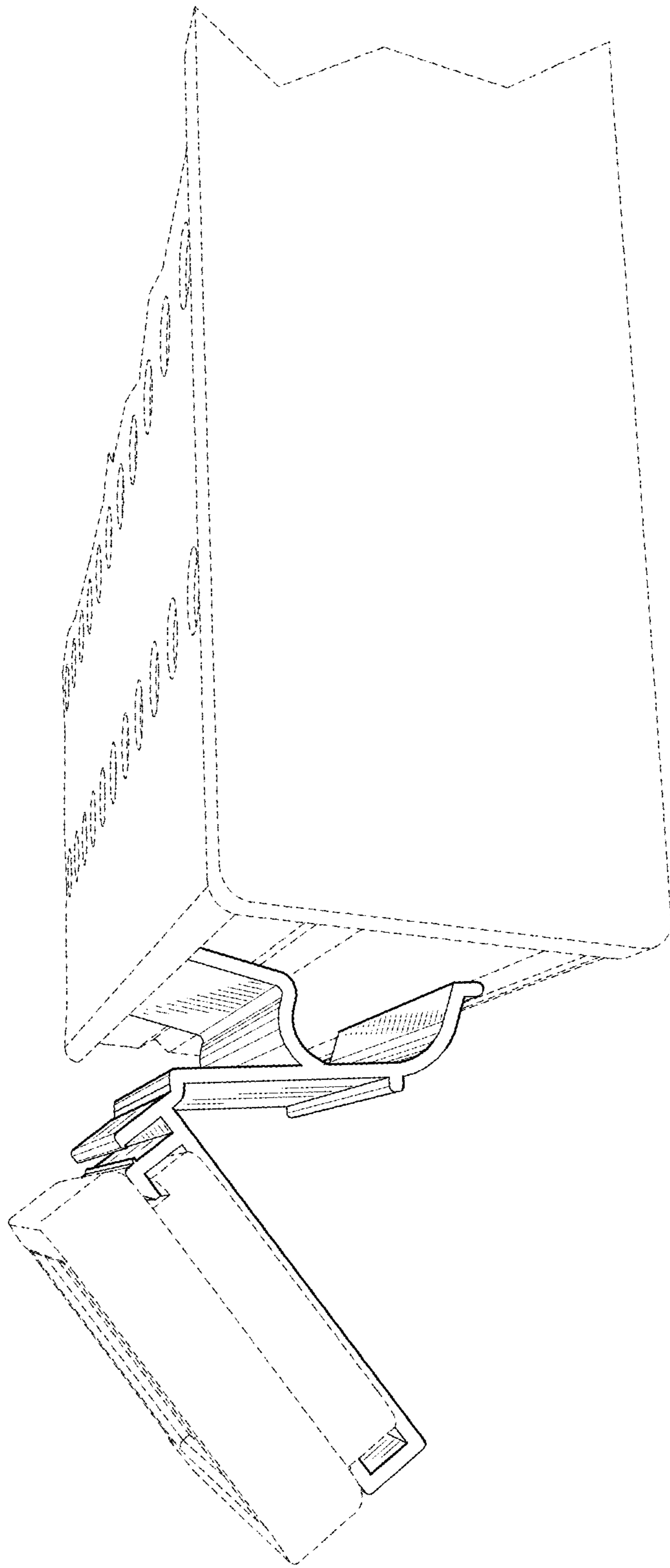


FIG. 10



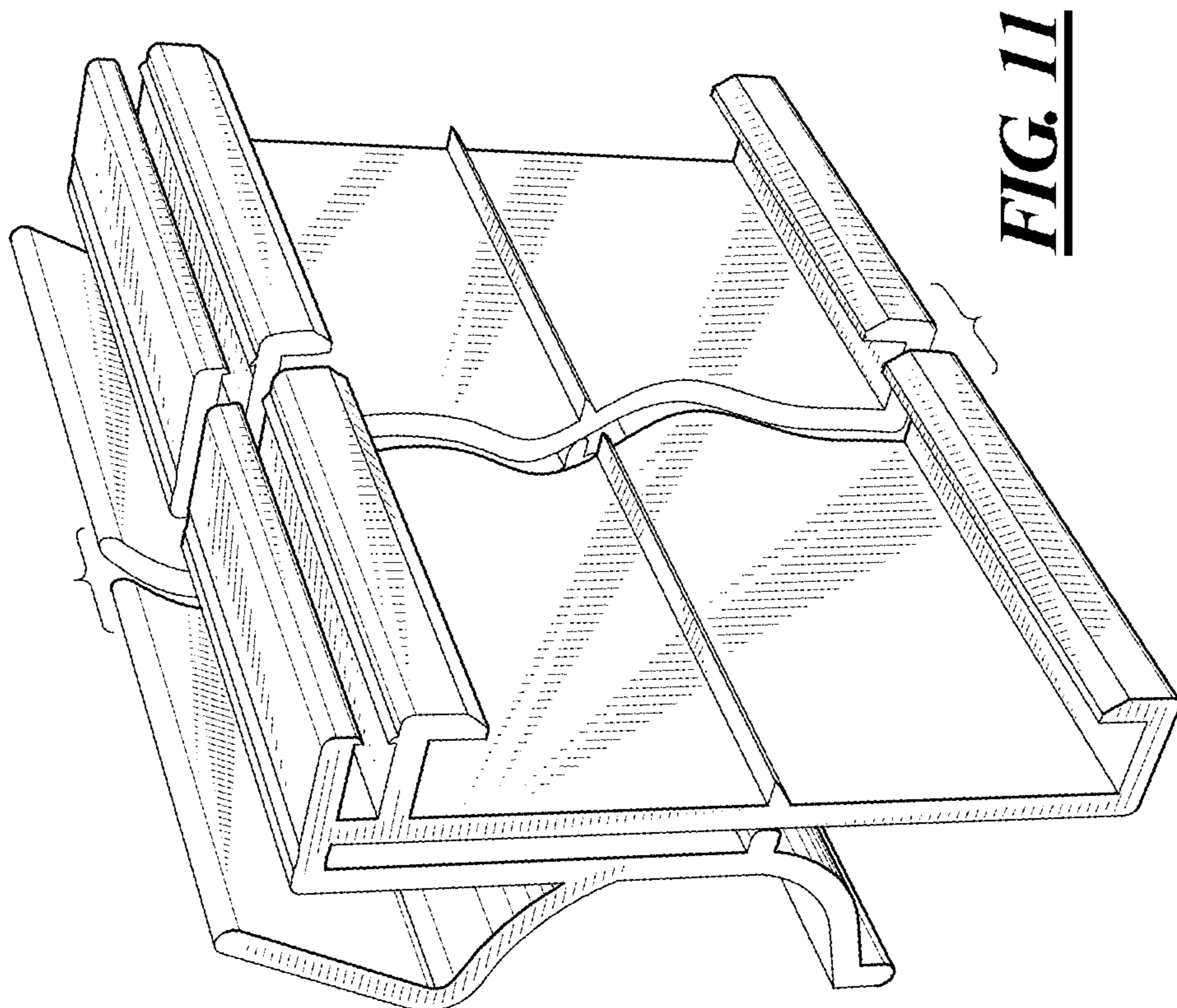
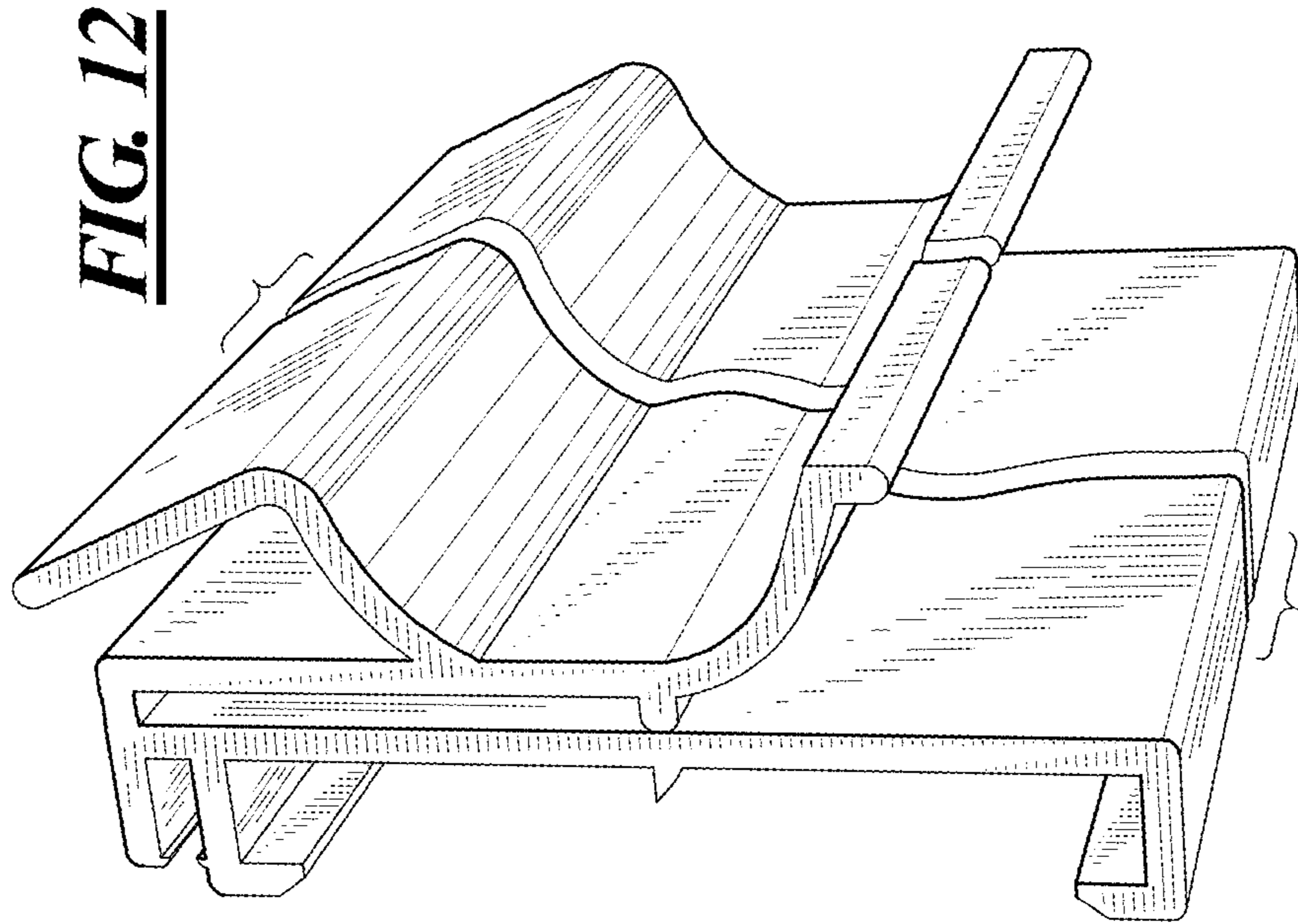


FIG. 14

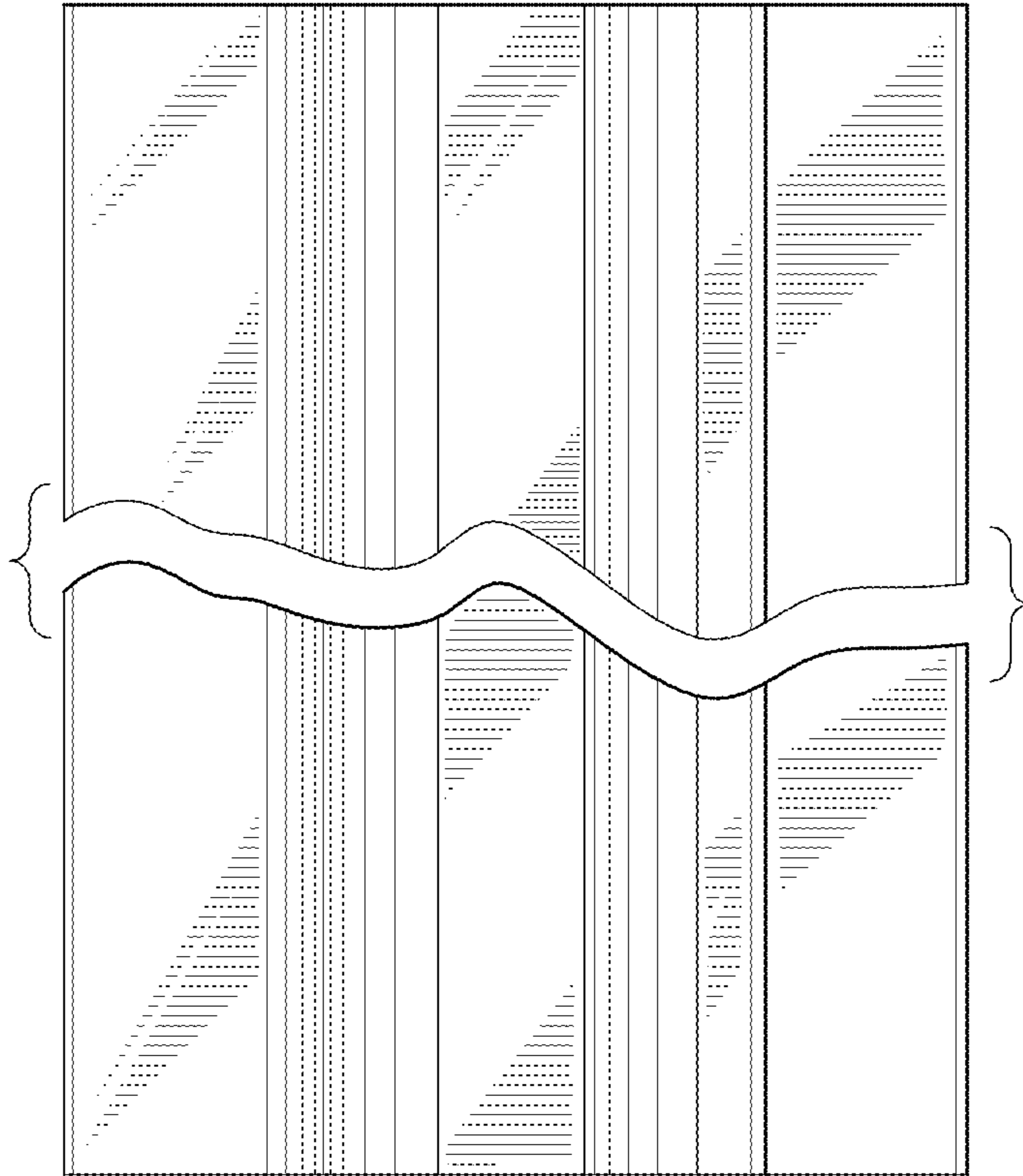


FIG. 13

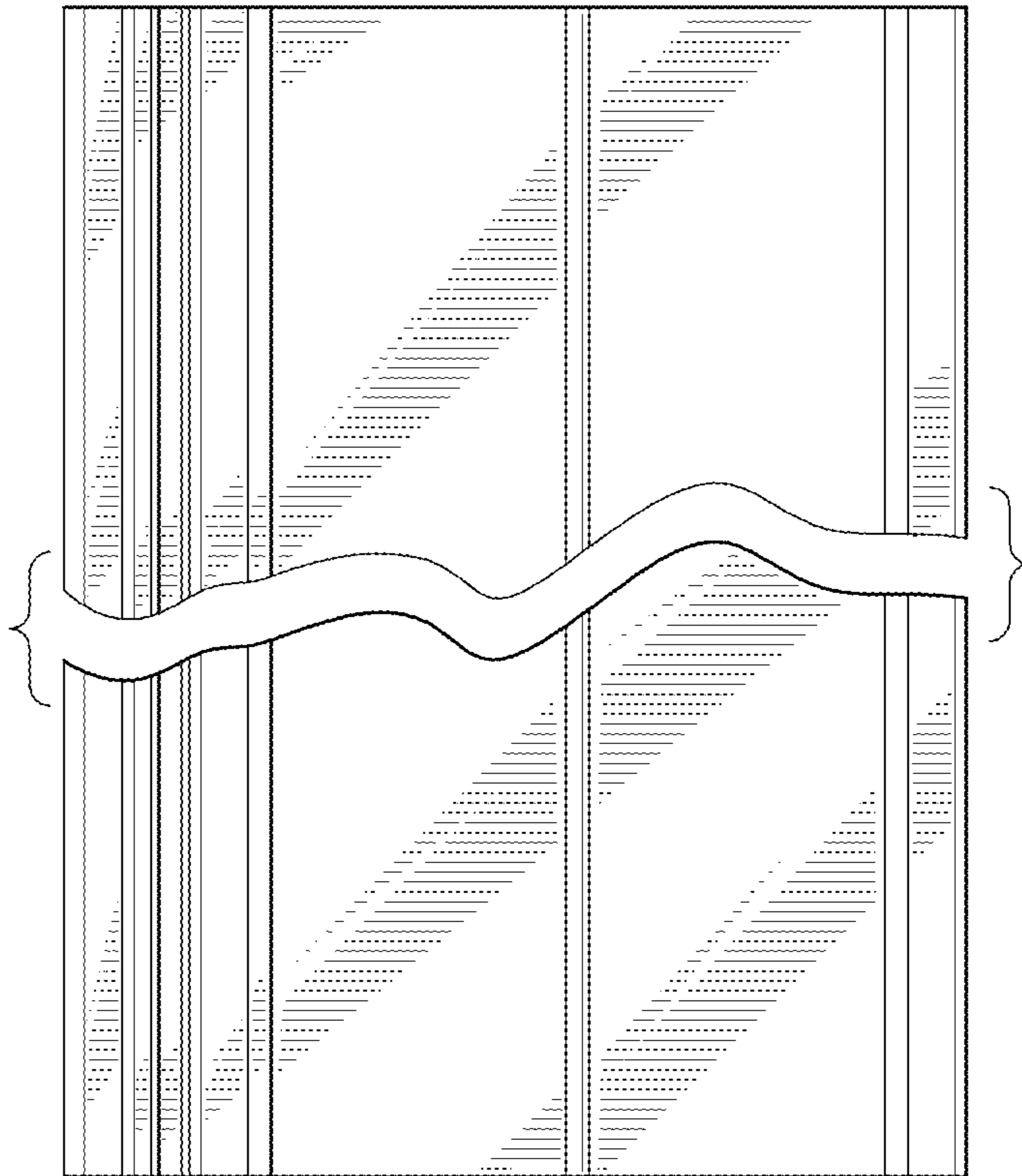


FIG. 17

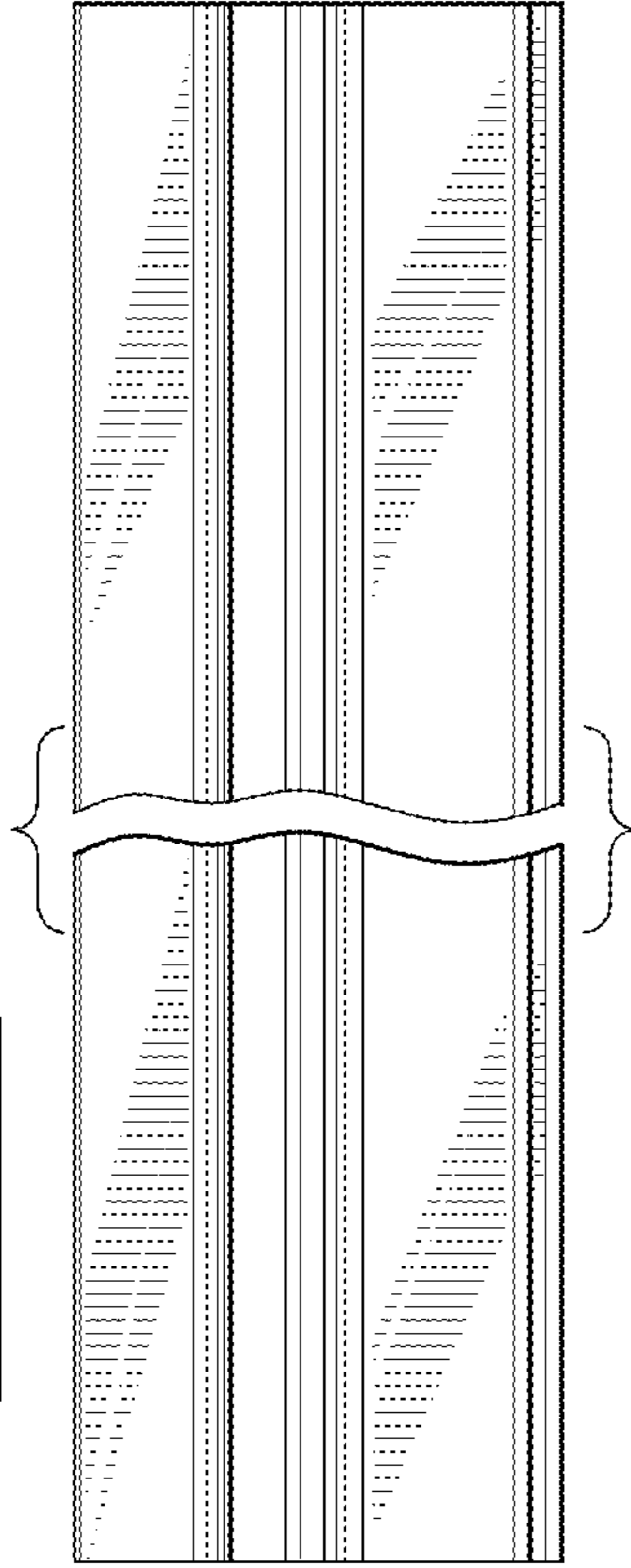


FIG. 18

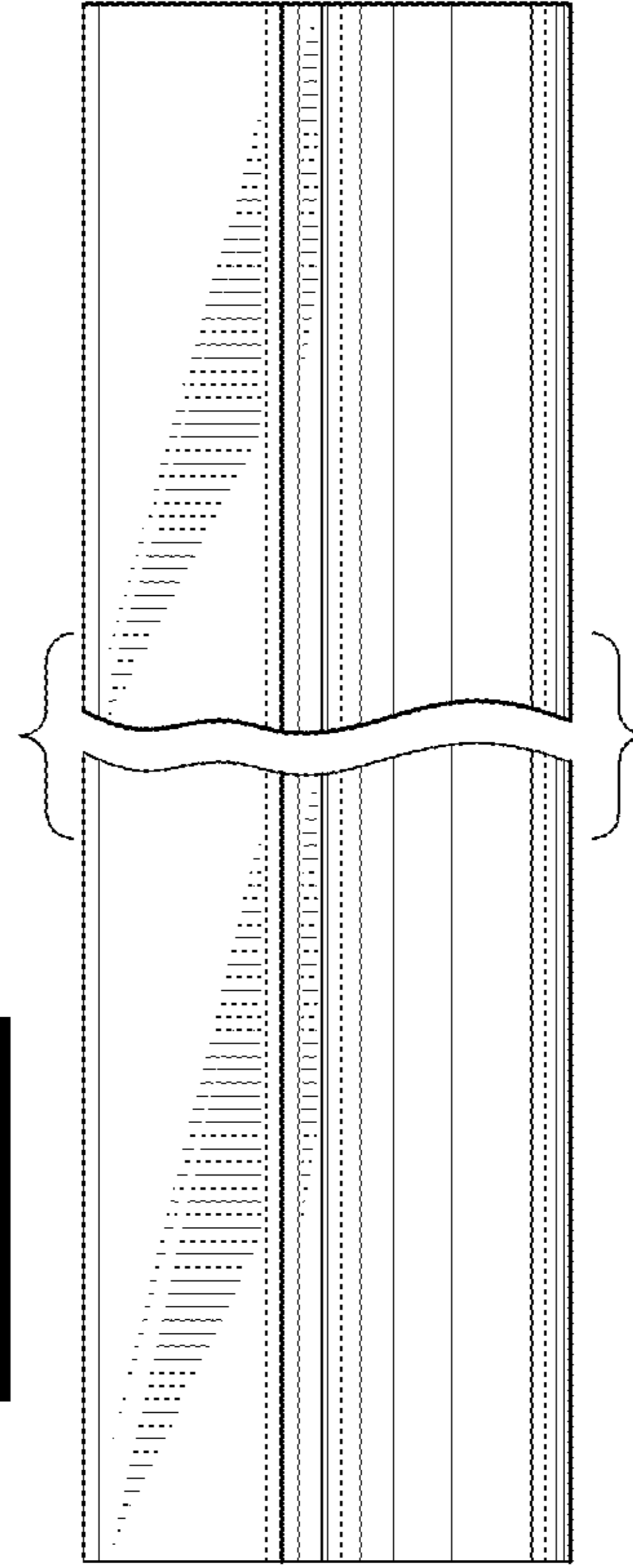


FIG. 16

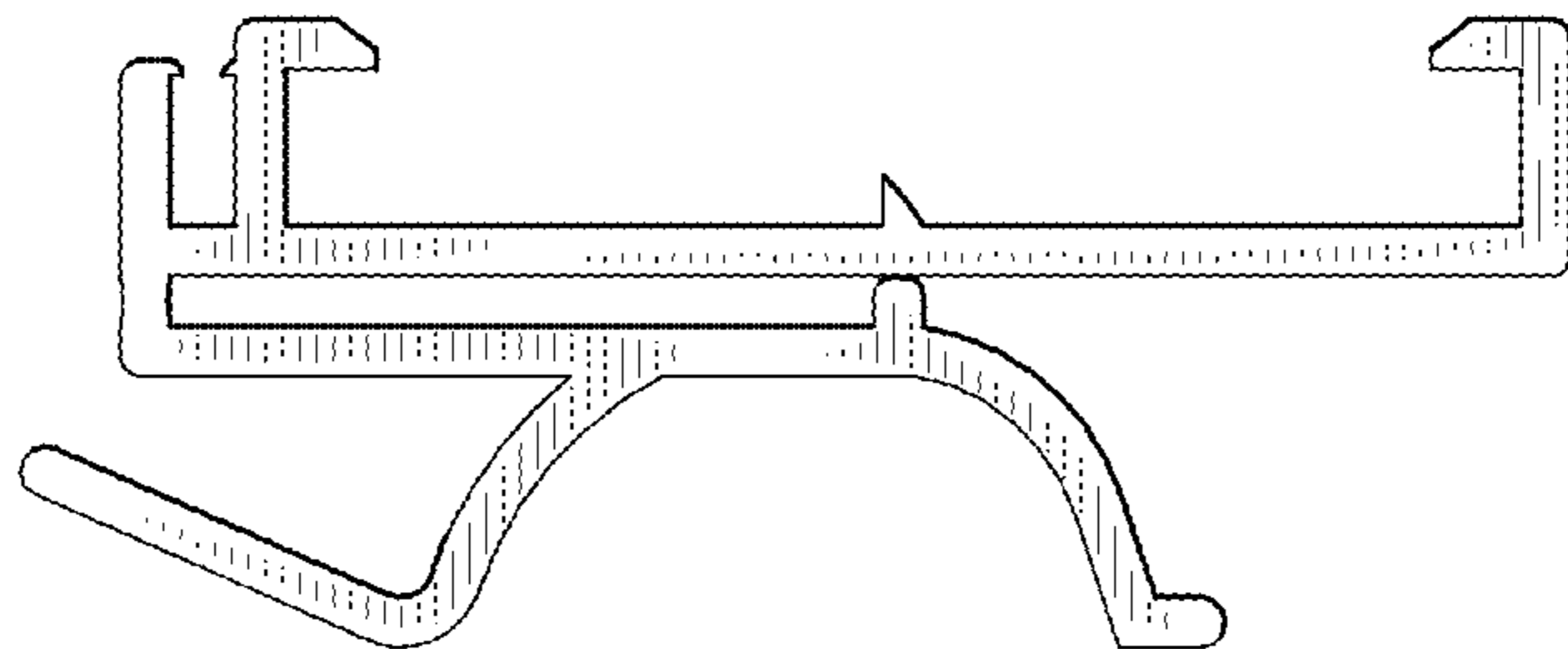


FIG. 15

