



US00D926882S

(12) **United States Design Patent**
Webb et al.

(10) **Patent No.:** **US D926,882 S**
(45) **Date of Patent:** **** Aug. 3, 2021**

(54) **VENDING DEVICE**

(71) Applicant: **DENSO International America, Inc.**,
Southfield, MI (US)
(72) Inventors: **Gareth Webb**, New Hudson, MI (US);
Martin Nespolo, Grosse Pointe Woods,
MI (US); **Sibu Varughese**, Sterling
Heights, MI (US); **Justin McBride**,
South Lyon, MI (US)
(73) Assignee: **DENSO International America, Inc.**,
Southfield, MI (US)

(**) Term: **15 Years**

(21) Appl. No.: **29/716,508**

(22) Filed: **Dec. 10, 2019**

(51) **LOC (13) Cl.** **20-01**

(52) **U.S. Cl.**
USPC **D20/8**

(58) **Field of Classification Search**
USPC D6/661–661.2; D14/125, 126, 129,
D14/302–307, 900–902; D20/1–10, 11,
D20/12, 15, 17, 19, 20, 22, 40, 41, 42,
D20/99; D21/325, 332, 369, 370;
D99/28
CPC G06Q 20/18; G07F 7/00; G07F 7/025;
G07F 7/08; G07F 7/12; G07F 11/00;
G07F 11/02; G07F 11/62; G07F 11/165;
G07F 7/069; G07F 17/00; G07F 17/40
See application file for complete search history.

(56) **References Cited**

U.S. PATENT DOCUMENTS

D316,873 S * 5/1991 Merl D20/6
D329,877 S * 9/1992 Schafer D20/2

D388,228 S * 12/1997 Dallman D99/28
D652,037 S * 1/2012 Adema D14/371
D734,735 S * 7/2015 Tooker D14/172
D743,927 S * 11/2015 Endo D14/157
D771,967 S * 11/2016 Watson D6/515
9,505,545 B2 * 11/2016 Watson G07C 15/005
D777,722 S * 1/2017 Murphy D14/307
D811,687 S * 2/2018 Kang D99/28
D888,705 S * 6/2020 Saito D14/307
2020/0105085 A1 * 4/2020 Jafa G06Q 20/3224

* cited by examiner

Primary Examiner — Mary Ann Calabrese

Assistant Examiner — Catherine Ho

(74) *Attorney, Agent, or Firm* — Harness, Dickey &
Pierce, P.L.C.

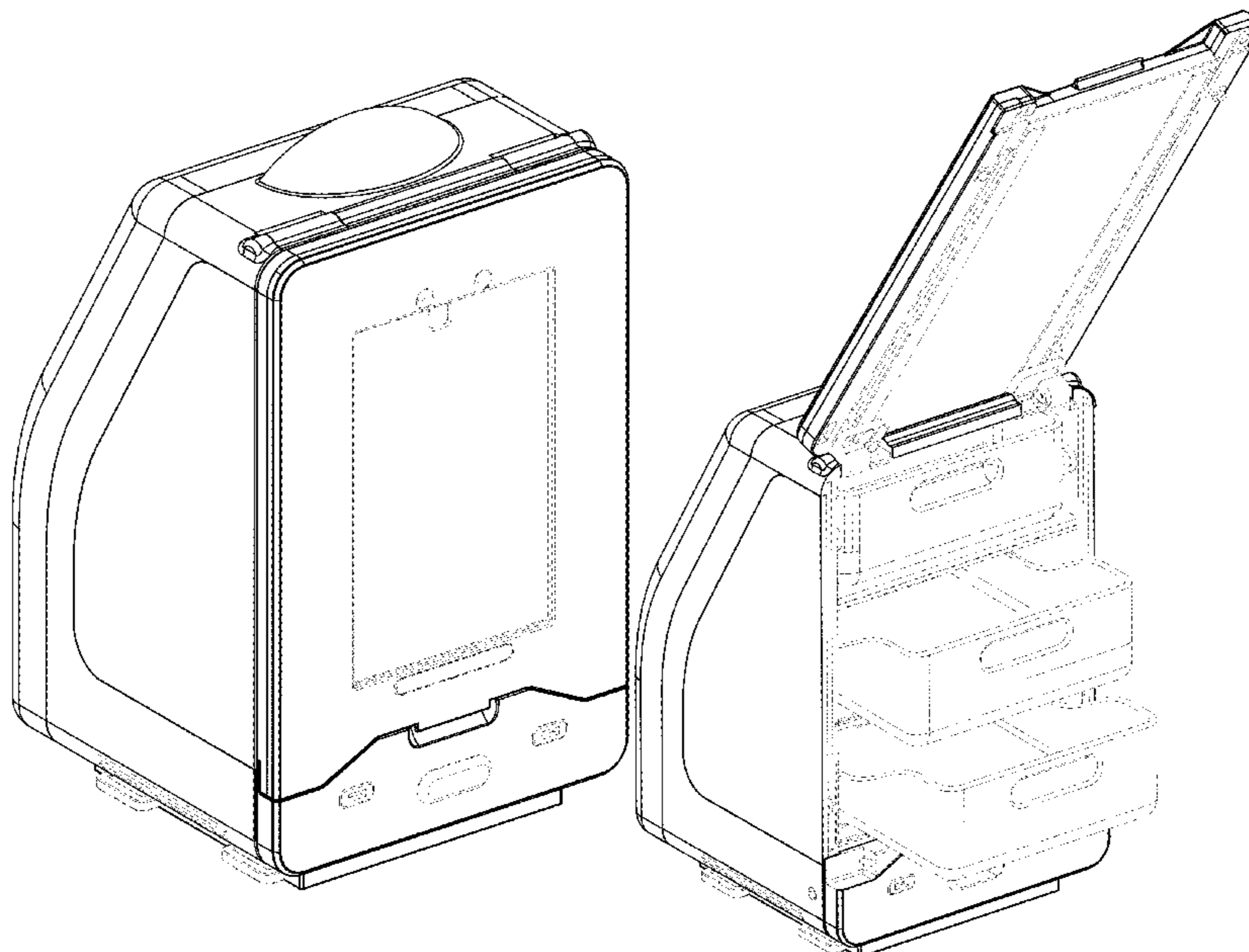
(57) **CLAIM**

We claim the ornamental design for a vending device, as
shown and described.

DESCRIPTION

FIG. 1 is a front perspective view of a vending device
showing the claimed design;
FIG. 2 is a front view thereof;
FIG. 3 is a left side view thereof, with the right side view
being a mirror image of the left side view;
FIG. 4 is a rear view thereof;
FIG. 5 is a top view thereof; and
FIG. 6 is a bottom view thereof.
FIG. 7 is a front perspective view of the vending device with
a front panel opened, showing the claimed design;
FIG. 8 is a front view thereof;
FIG. 9 is a left side view thereof, with the right side view
being a mirror image of the left side view; and,
FIG. 10 is a top view thereof.
The broken lines in the figures show portions of the article
that form no part of the claimed design.

1 Claim, 10 Drawing Sheets



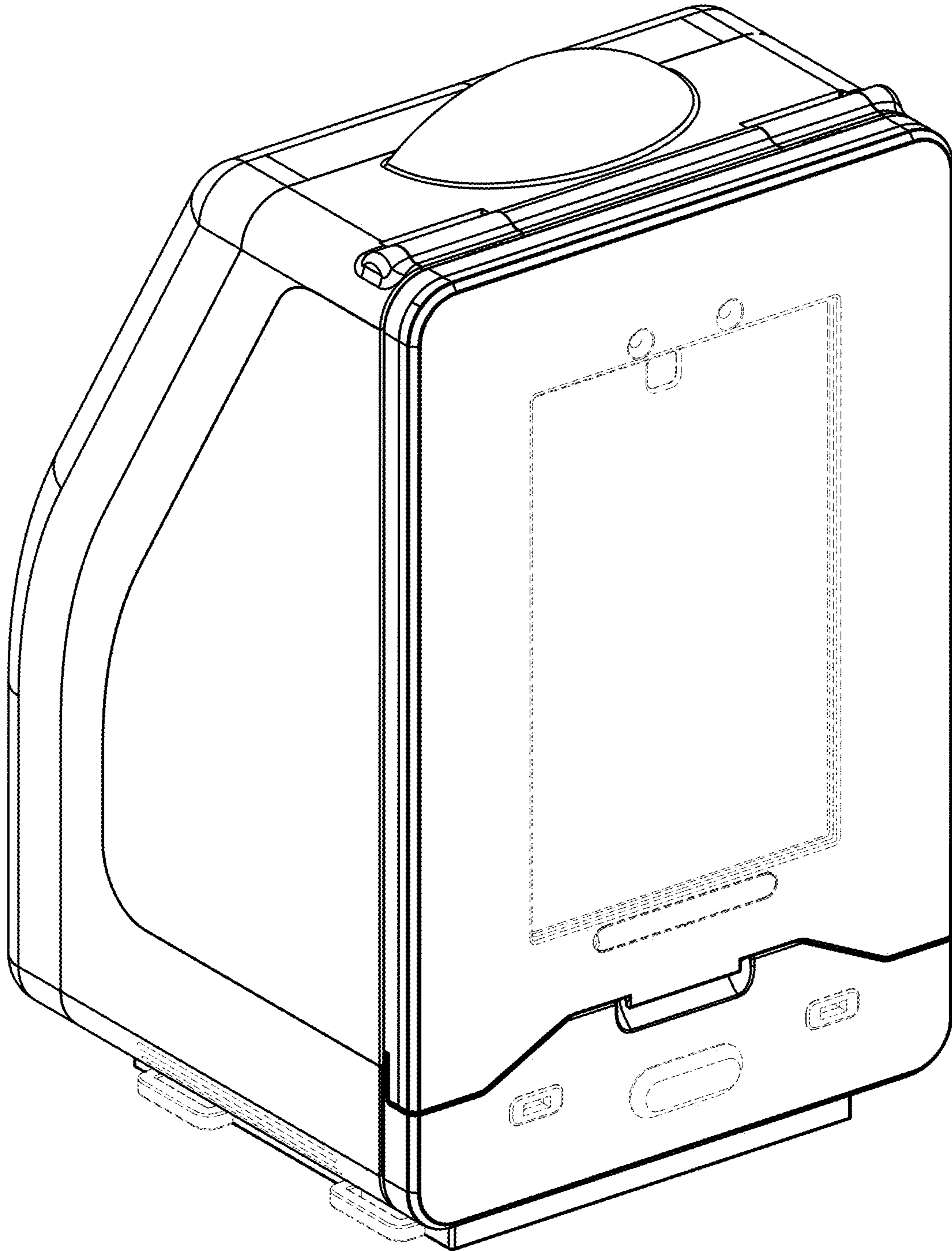


FIG 1

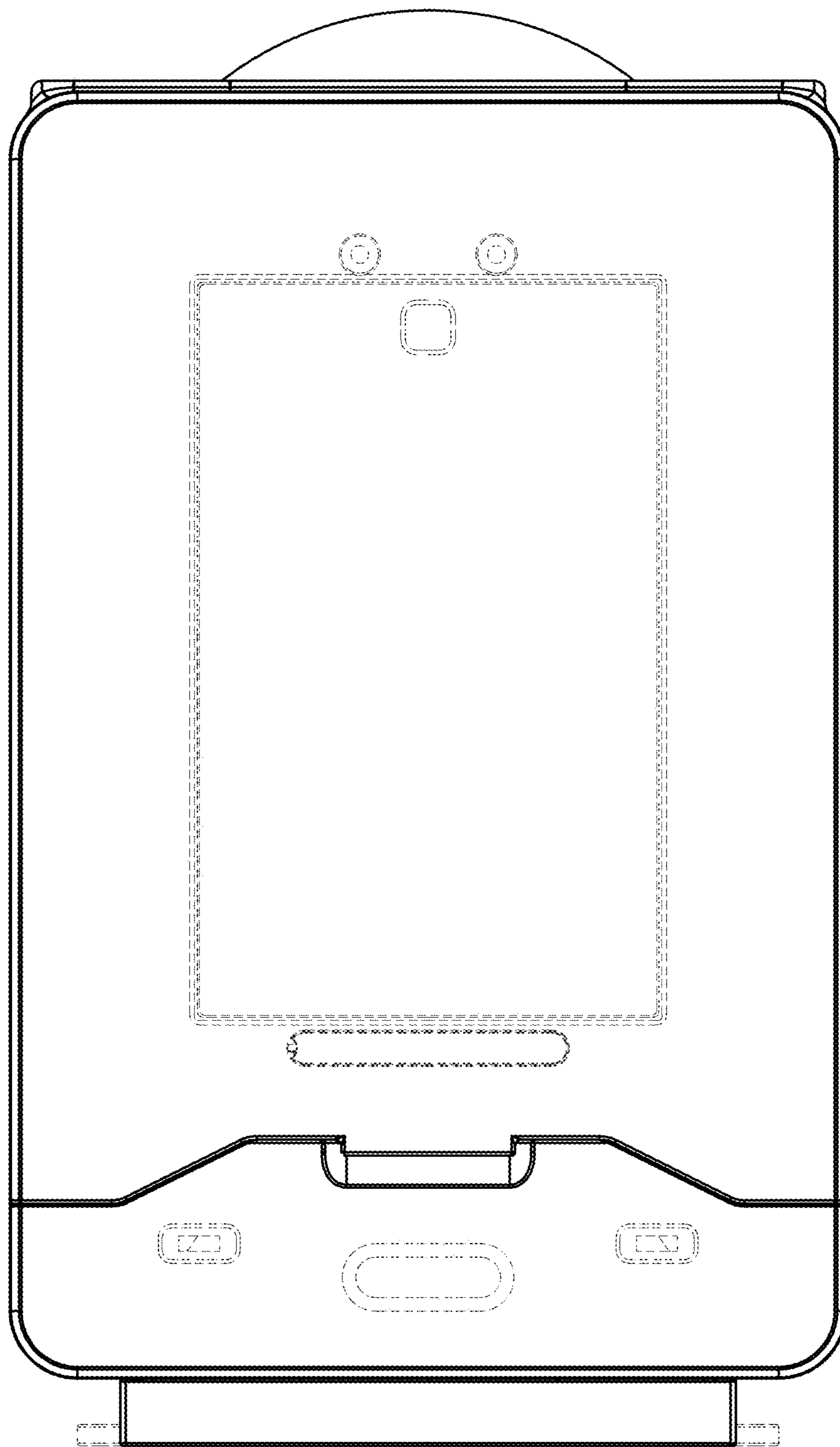


FIG 2

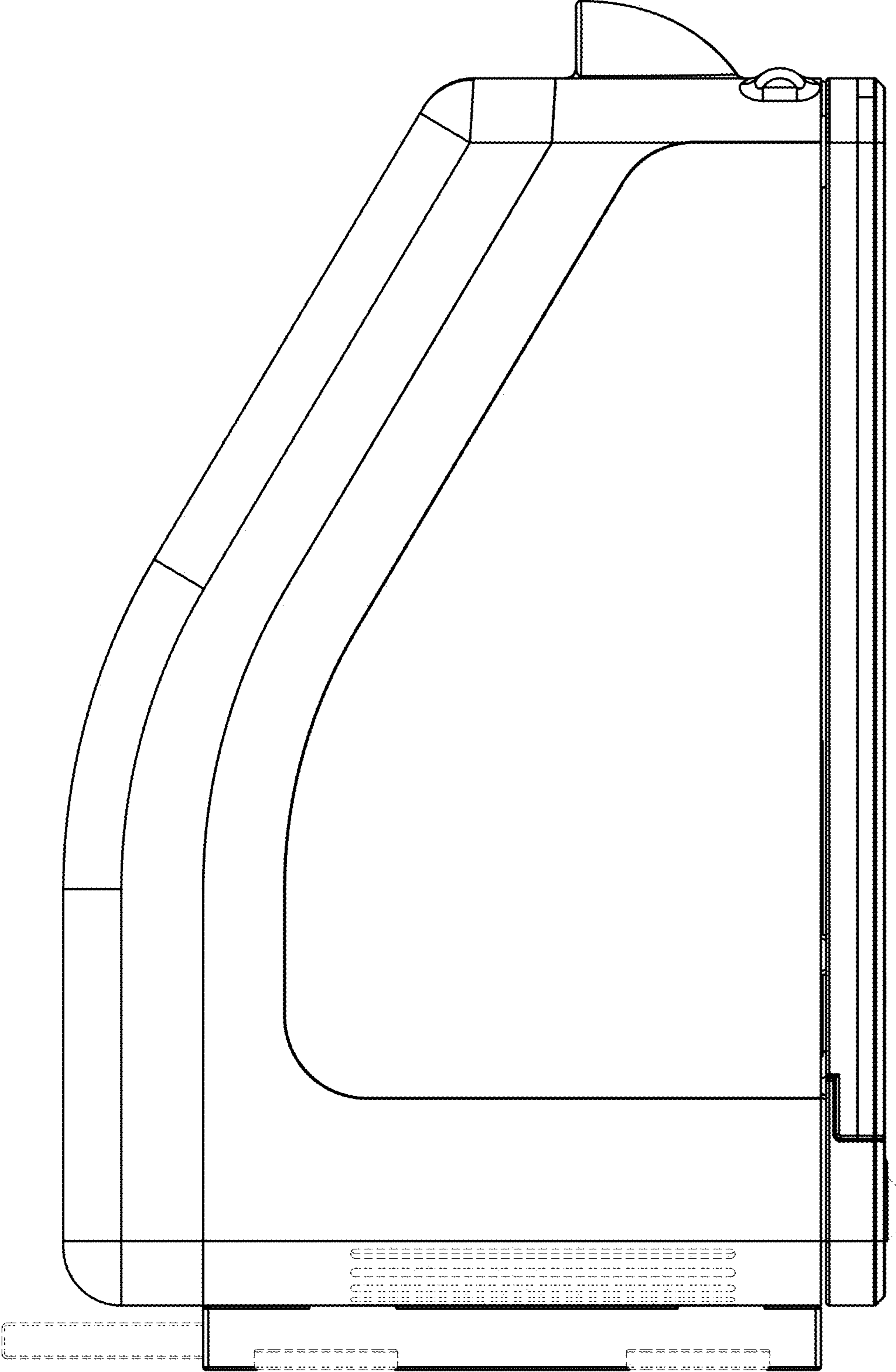


FIG 3

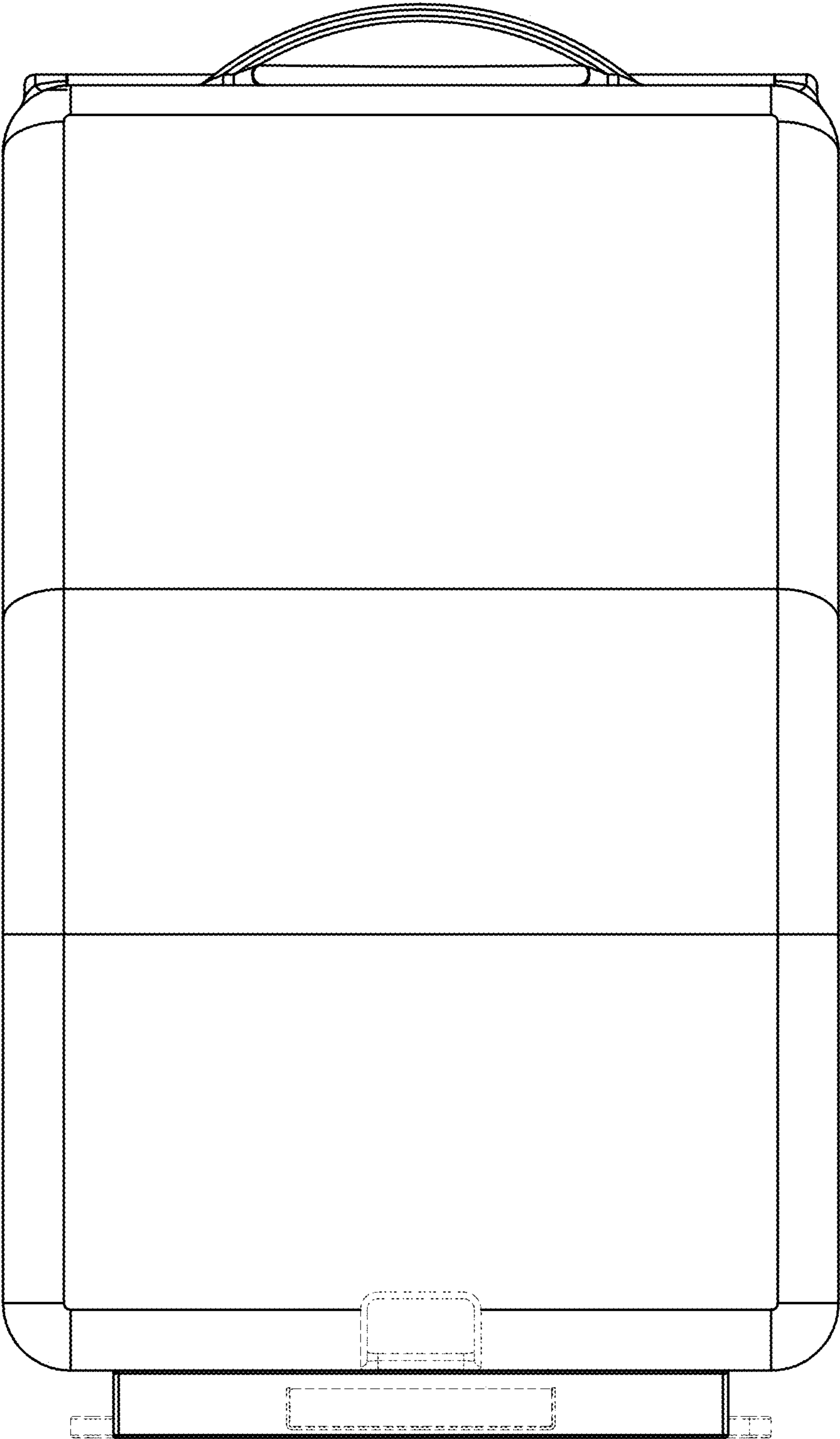


FIG 4

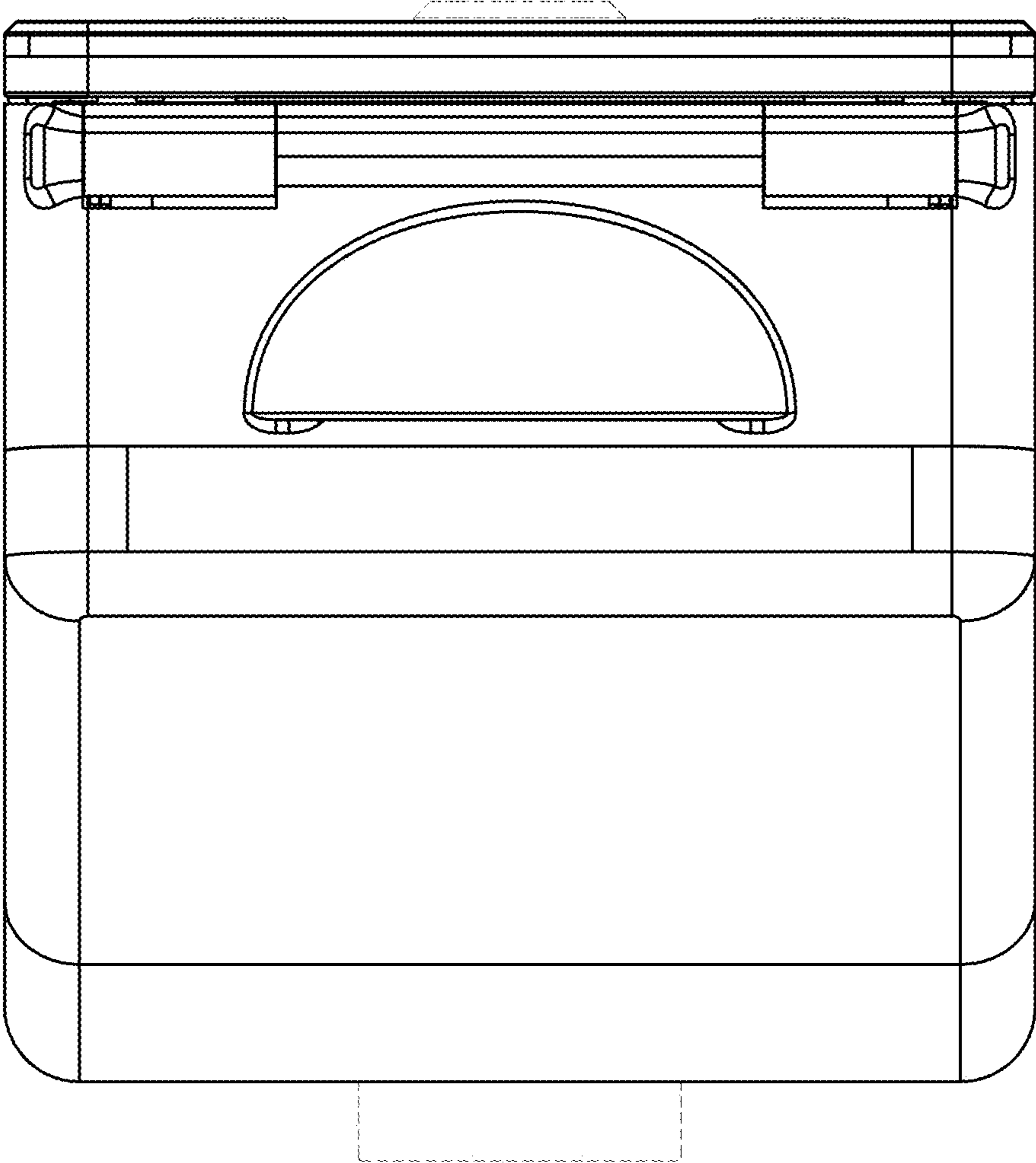


FIG - 5

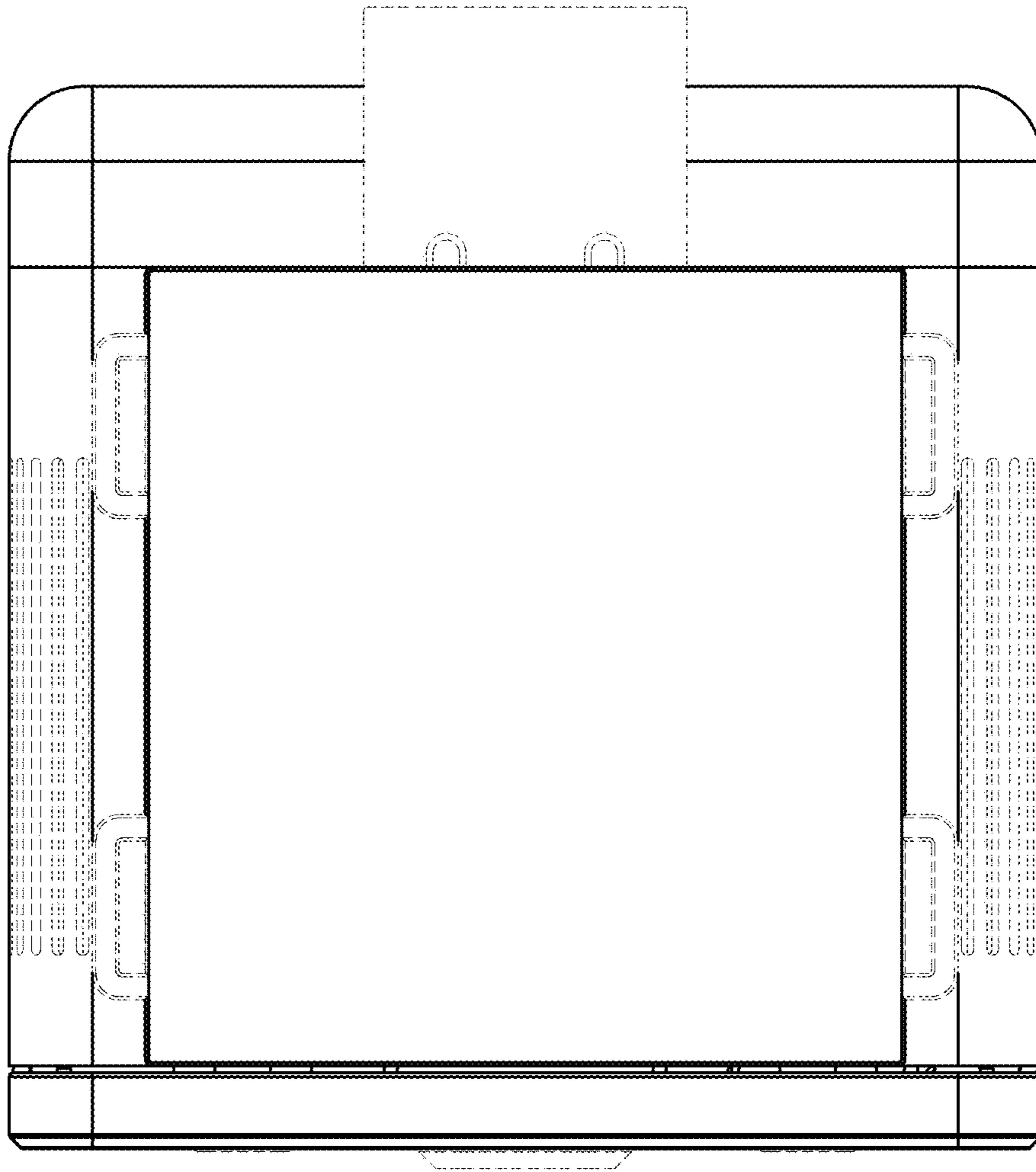


FIG 6

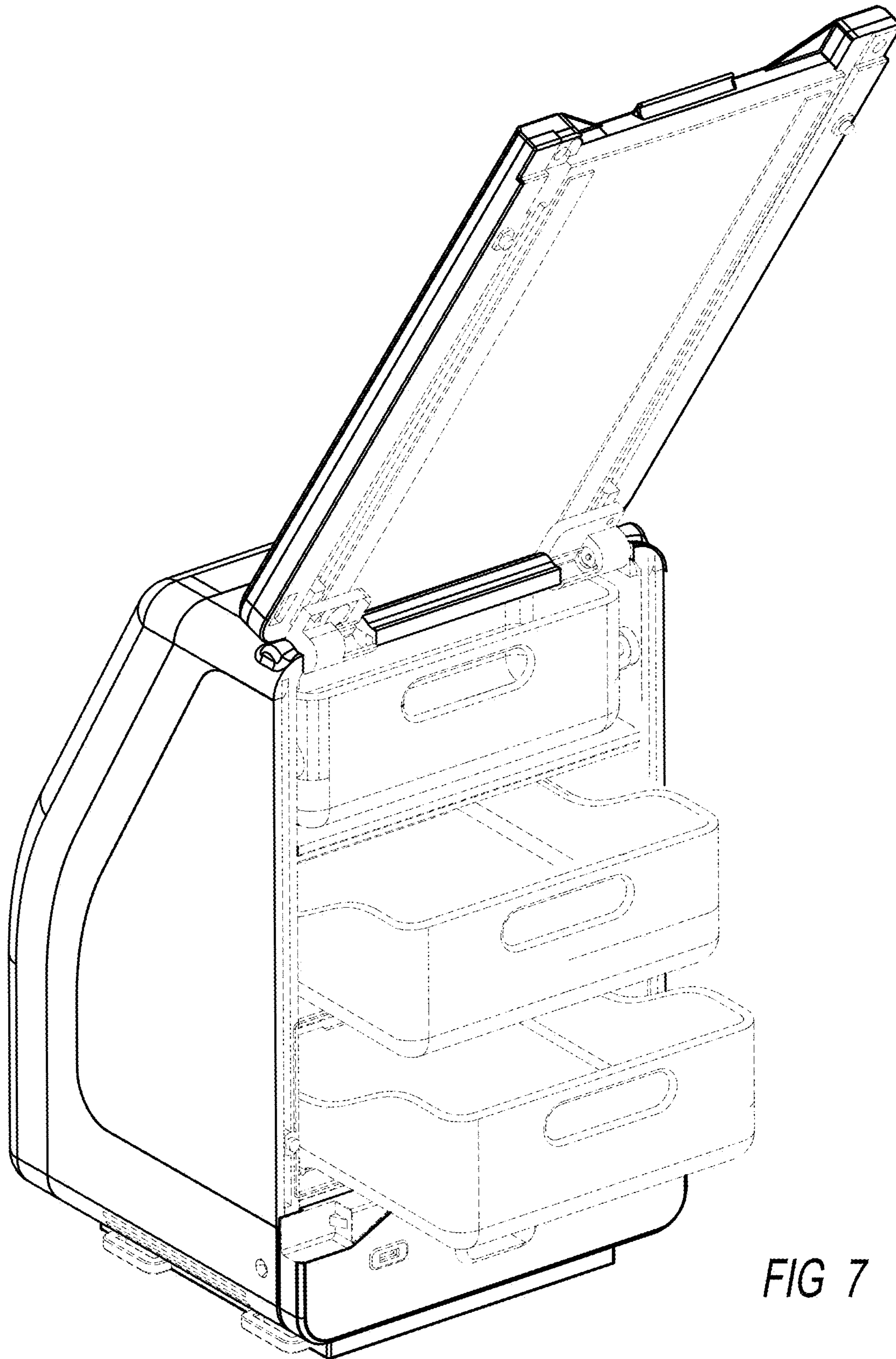


FIG 7

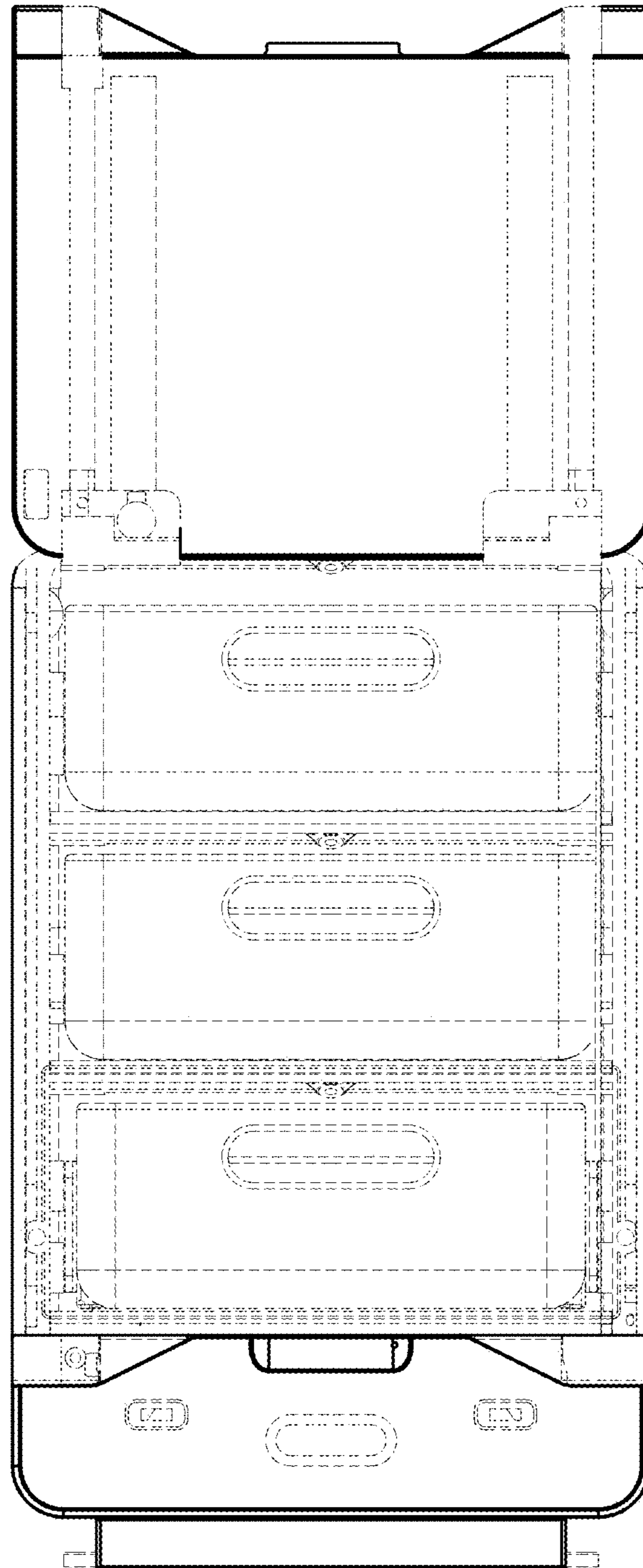


FIG 8

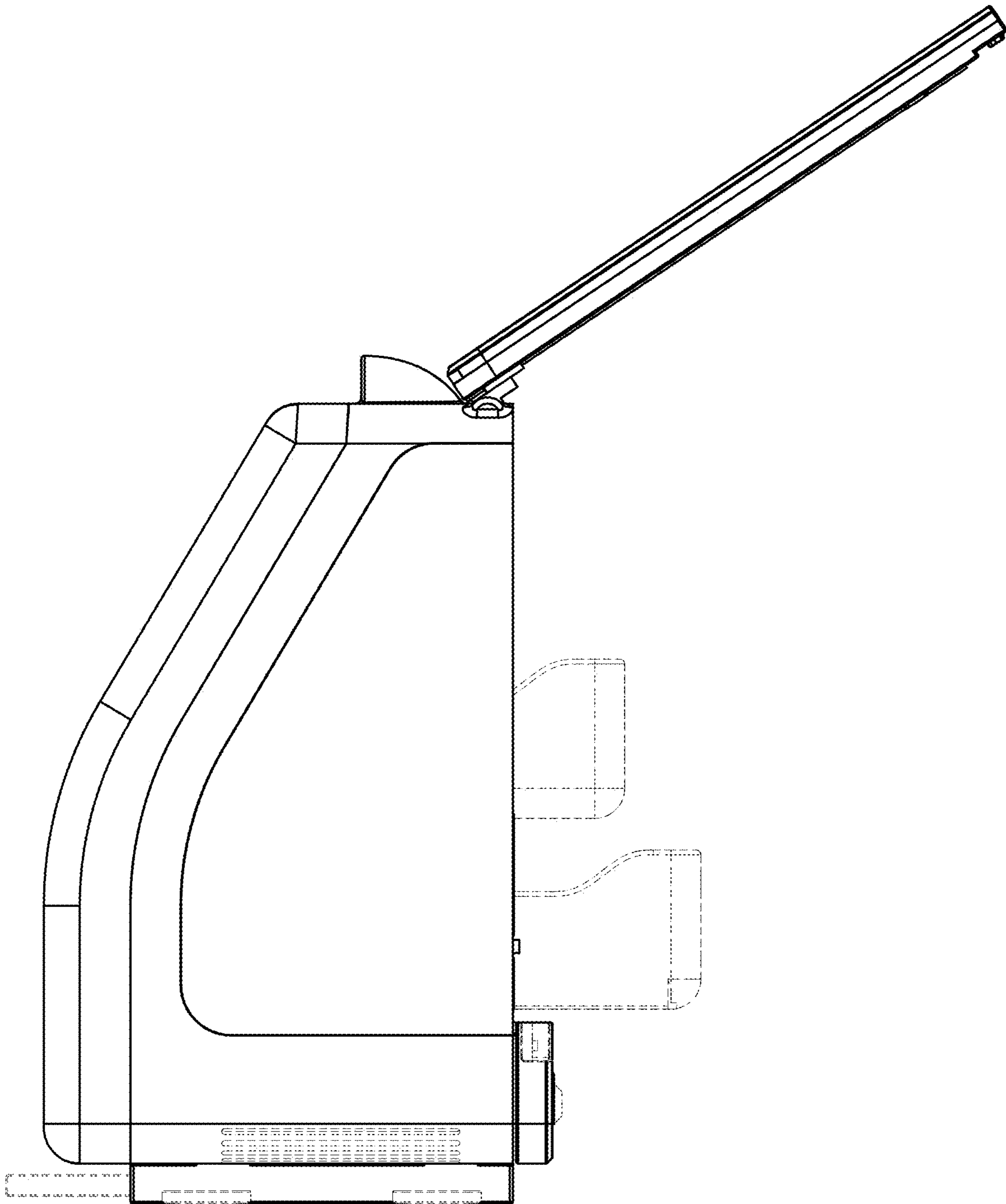


FIG 9

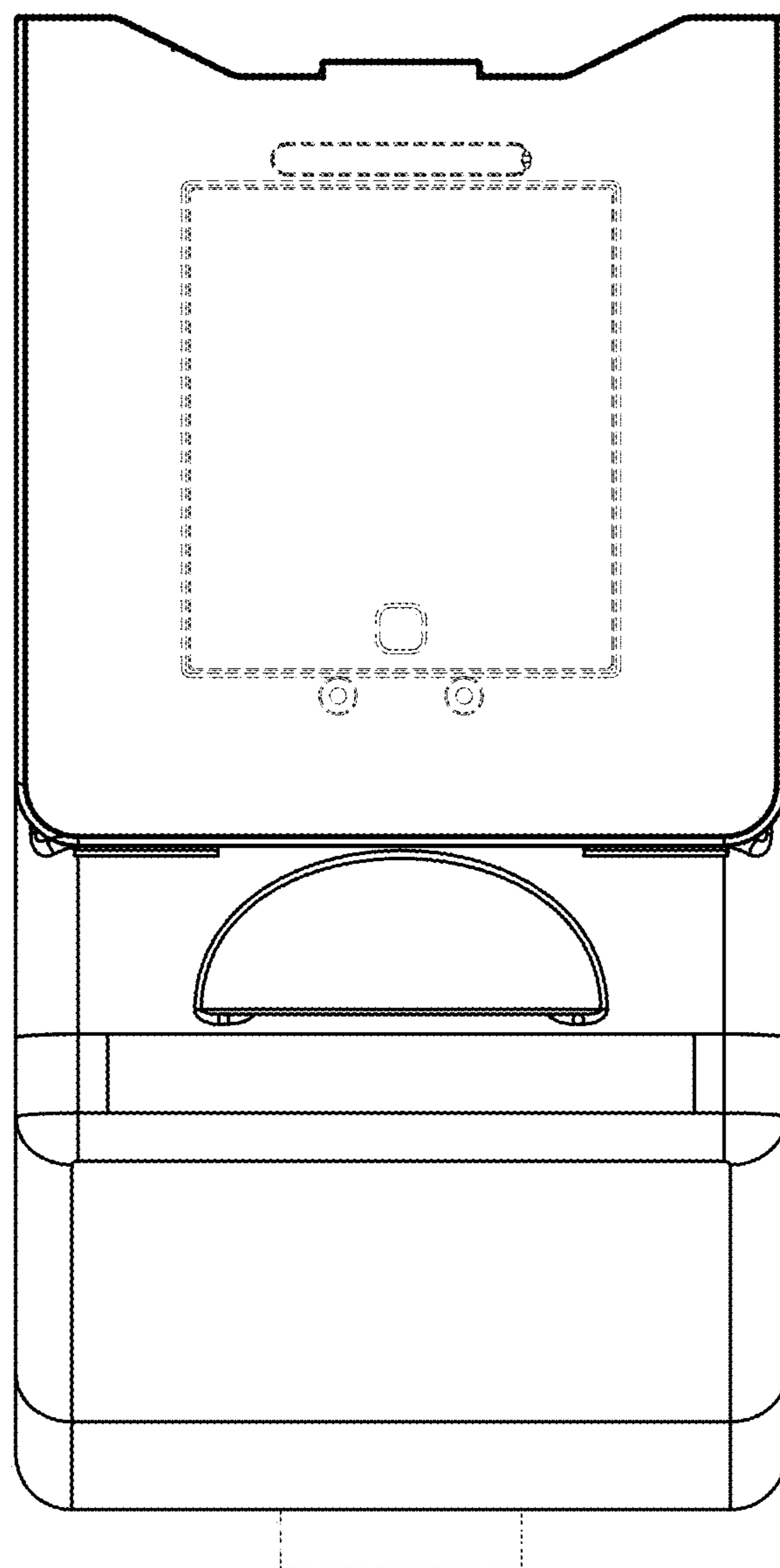


FIG 10