



US00D926881S

(12) **United States Design Patent**  
**Pereira**

(10) **Patent No.:** **US D926,881 S**

(45) **Date of Patent:** **\*\* Aug. 3, 2021**

(54) **WRITING BOARD**

(71) Applicant: **BI-SILQUE, S.A.**, Esmoriz (PT)

(72) Inventor: **Adriano Alexandre Oliveira Pereira**,  
Esmoriz (PT)

(\*\*) Term: **15 Years**

(21) Appl. No.: **35/508,291**

(22) Filed: **Jul. 1, 2019**

(80) **Hague Agreement Data**

Int. Filing Date: **Jul. 1, 2019**

Int. Reg. No.: **DM/204088**

Int. Reg. Date: **Jul. 1, 2019**

Int. Reg. Pub. Date: **Jan. 3, 2020**

(51) **LOC (13) Cl.** ..... **19-06**

(52) **U.S. Cl.**  
USPC ..... **D19/113**

(58) **Field of Classification Search**  
USPC ..... D6/310-314; D19/113  
CPC ..... A47B 97/08; A47B 97/04; A47B 23/044;  
A47B 23/043; A47B 2220/0083; B43L  
1/00; B43L 1/06  
See application file for complete search history.

(56) **References Cited**

**U.S. PATENT DOCUMENTS**

D286,894 S \* 11/1986 Haas ..... D19/113  
D344,637 S \* 3/1994 Brown ..... D19/113

D347,360 S \* 5/1994 Wheeler ..... D19/113  
D787,593 S \* 5/2017 Robins ..... D19/113  
D791,232 S \* 7/2017 Terada ..... D19/114  
D852,272 S \* 6/2019 Lim ..... D19/113  
D853,134 S \* 7/2019 Zhang ..... D6/310  
D855,106 S \* 7/2019 Morita ..... D19/113  
D859,009 S \* 9/2019 Gough ..... D6/300  
D864,296 S \* 10/2019 Park ..... D19/113  
D865,065 S \* 10/2019 Georgiadis ..... D21/306  
D872,800 S \* 1/2020 Kan ..... D19/113  
D878,216 S \* 3/2020 Janus ..... D10/2

\* cited by examiner

*Primary Examiner* — Michael A. Pratt

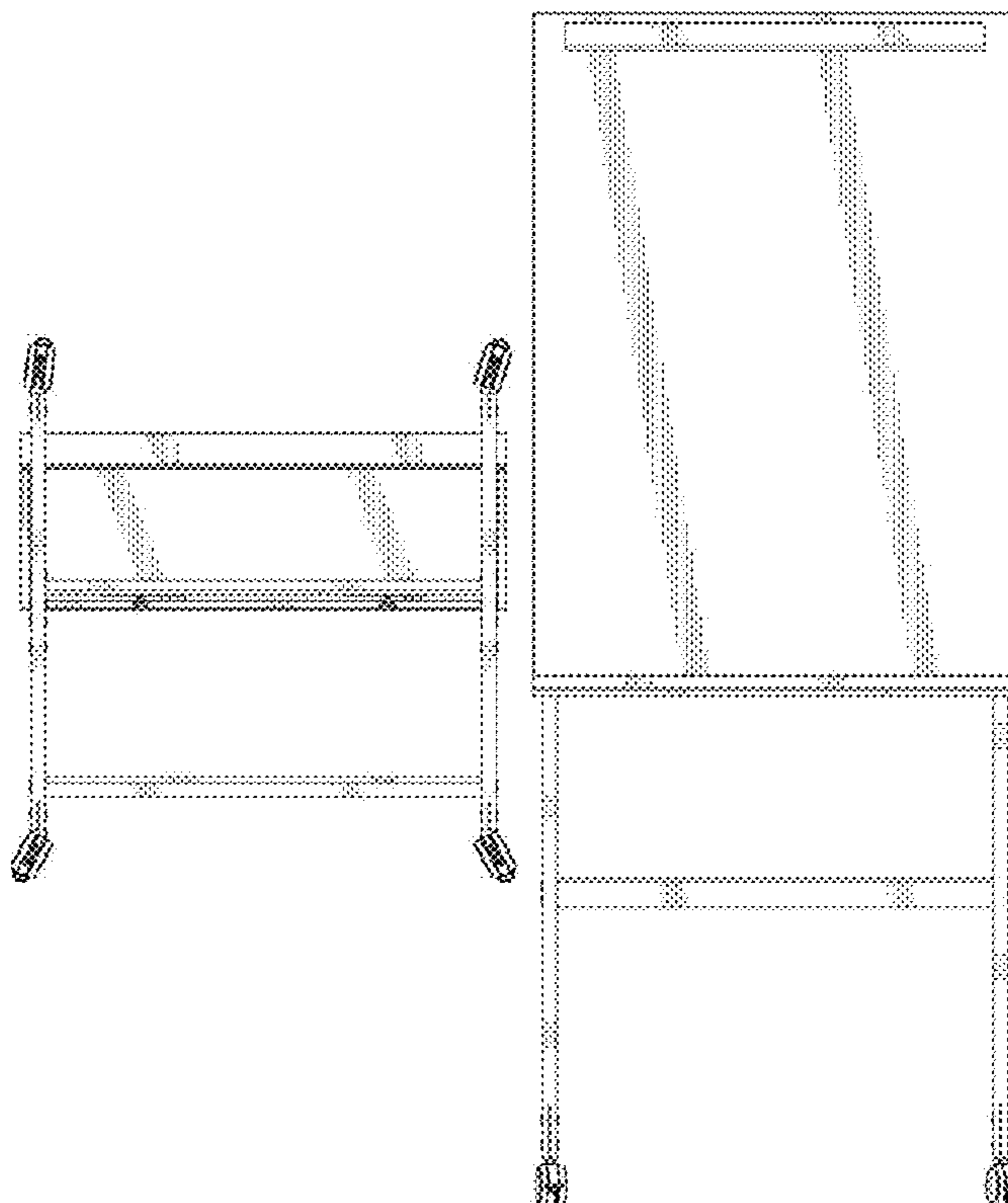
(57) **CLAIM**

The ornamental design for a writing board, as shown and described.

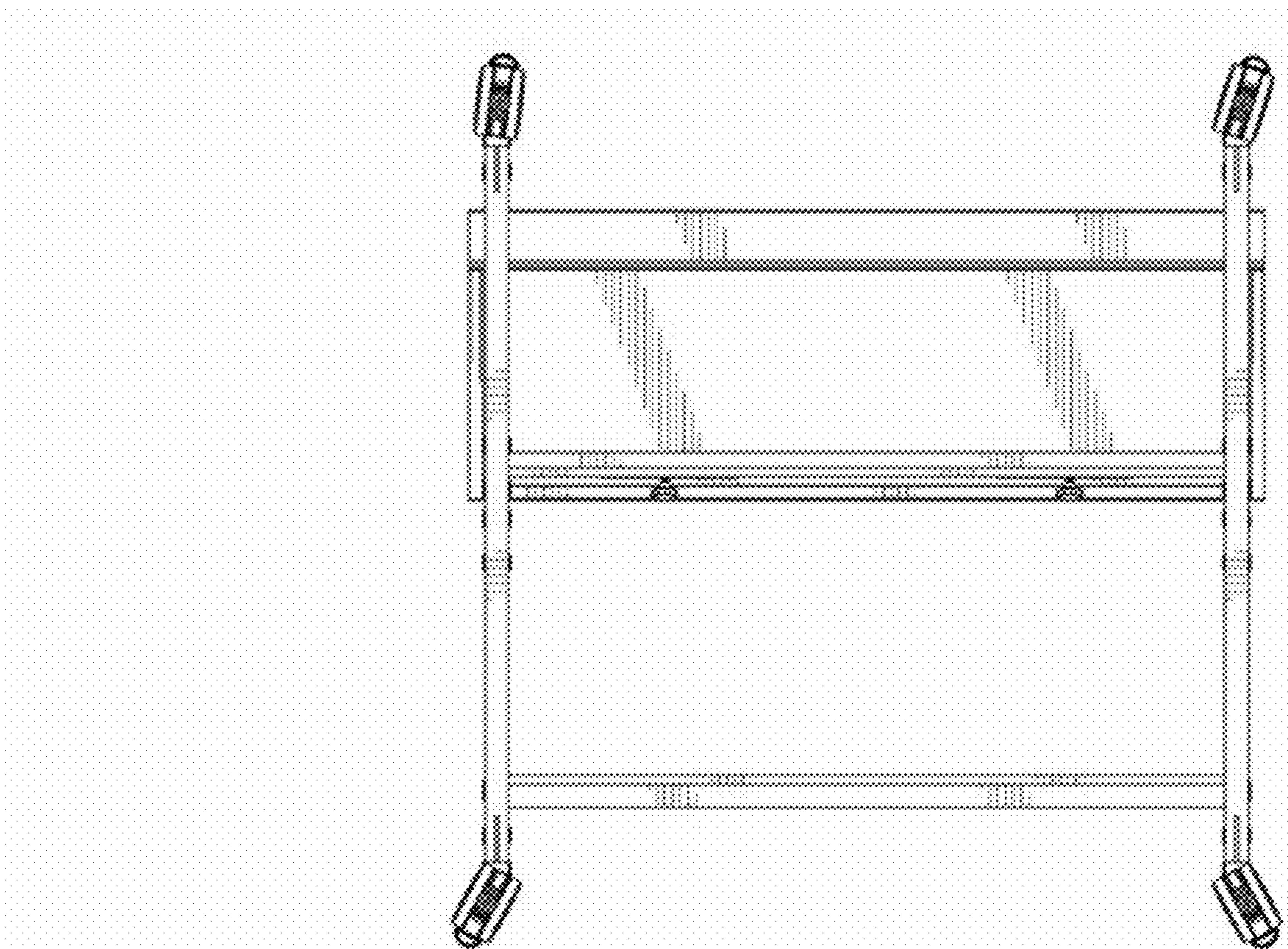
**DESCRIPTION**

- 1. Writing board
- 1.1:Bottom
- 1.2:Left
- 1.3:Front
- 1.4:Right
- 1.5:Top
- 1.6:Perspective
- 1.7:Back

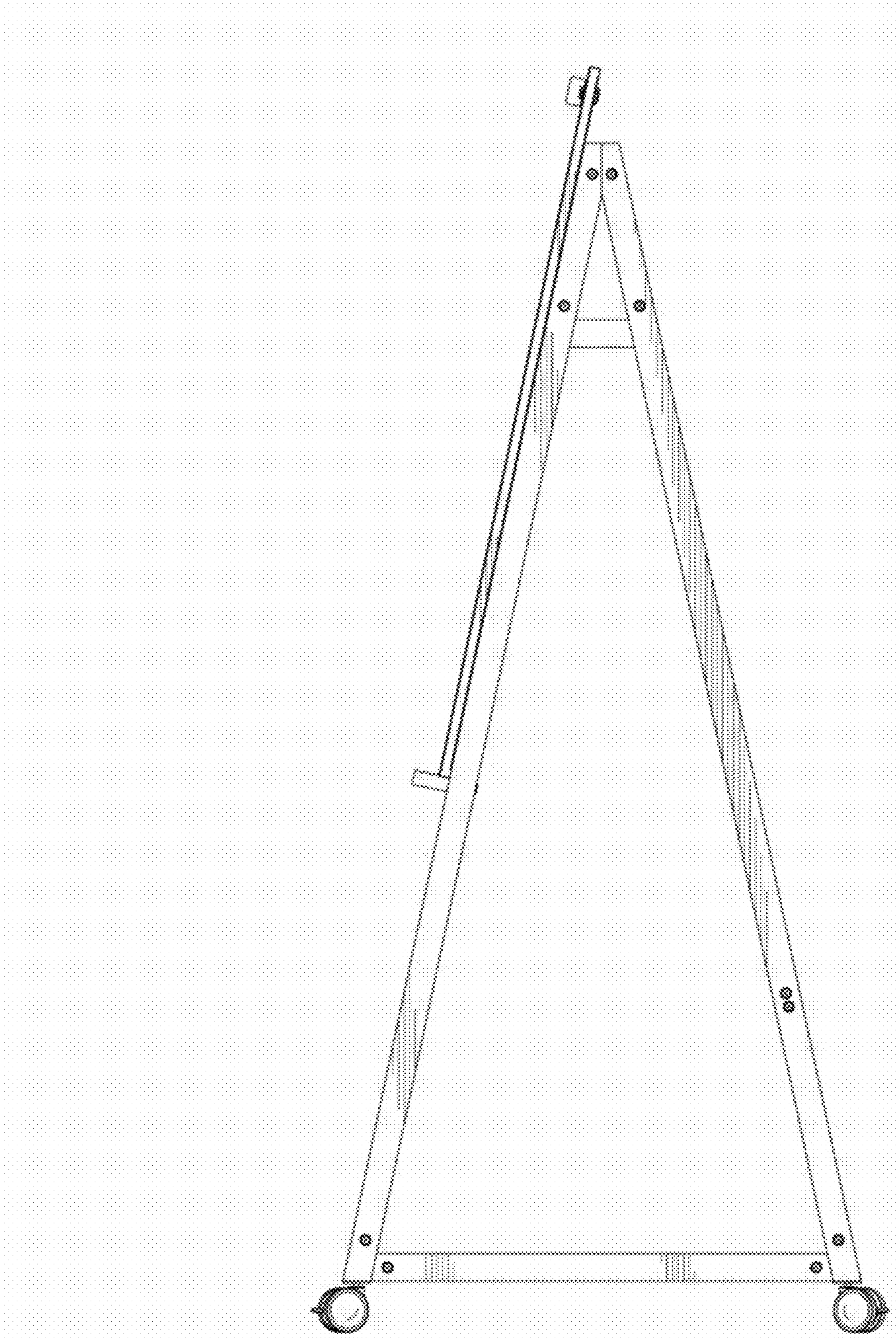
**1 Claim, 7 Drawing Sheets**



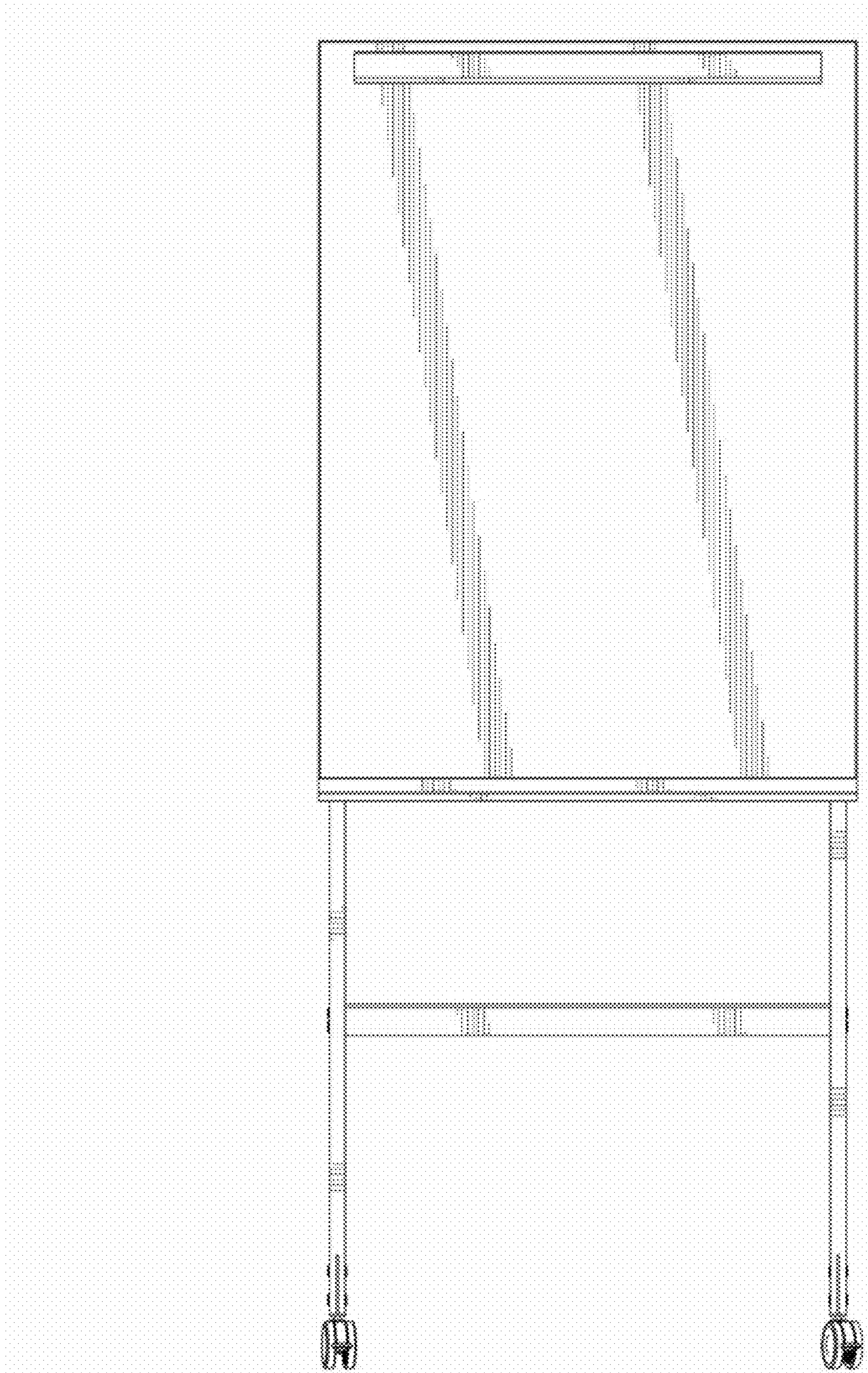
**1.1**



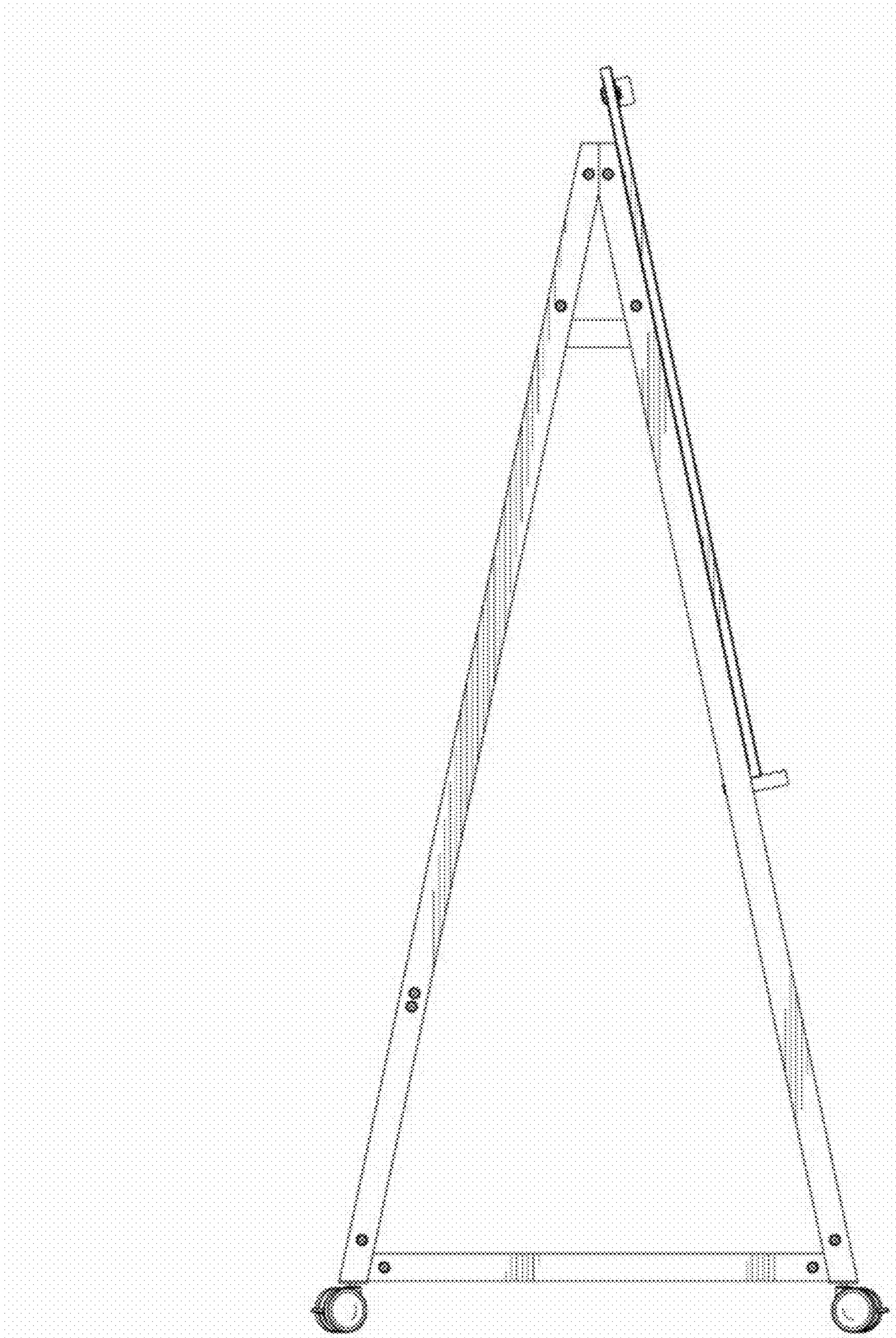
# 1.2



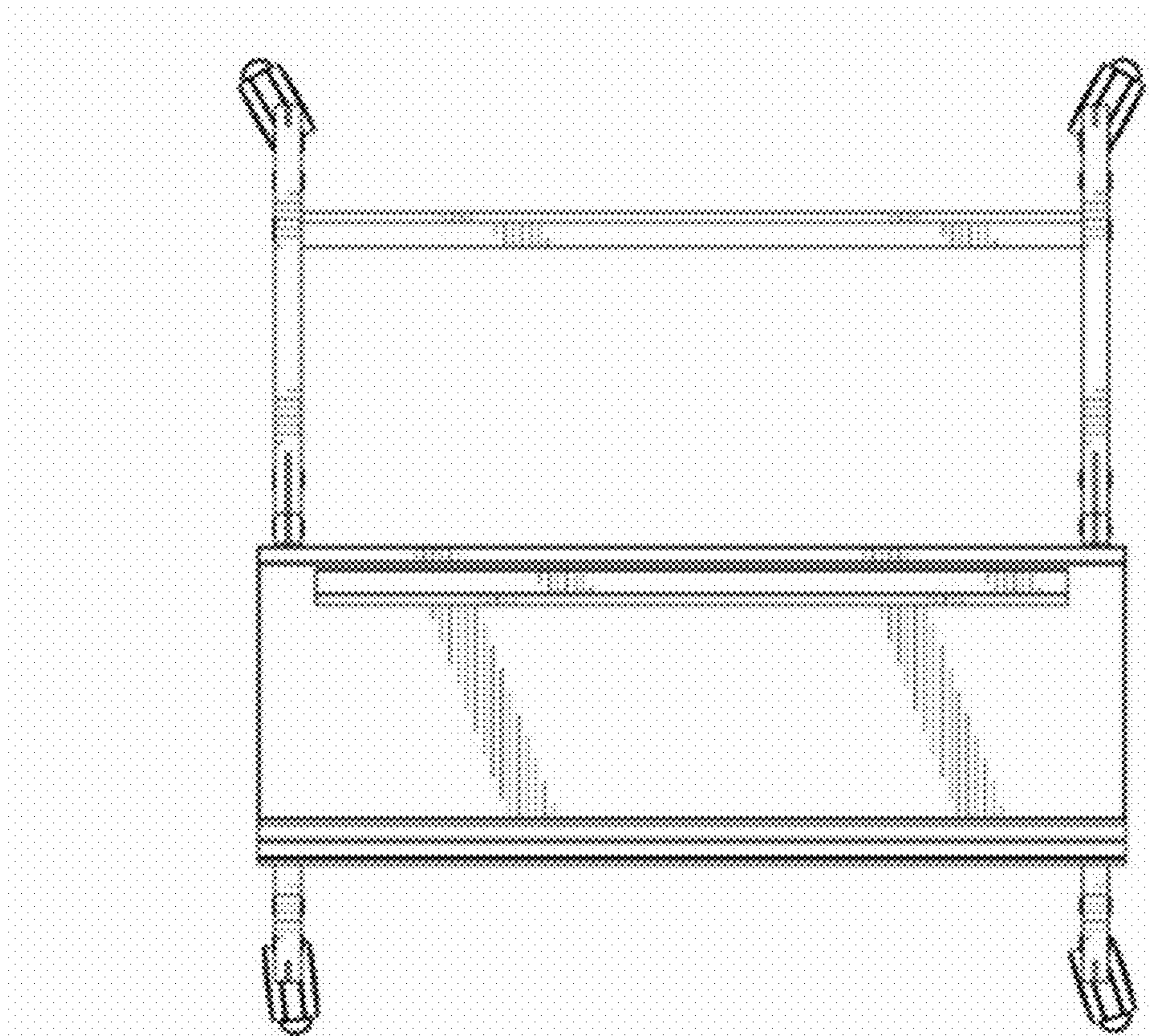
# 1.3



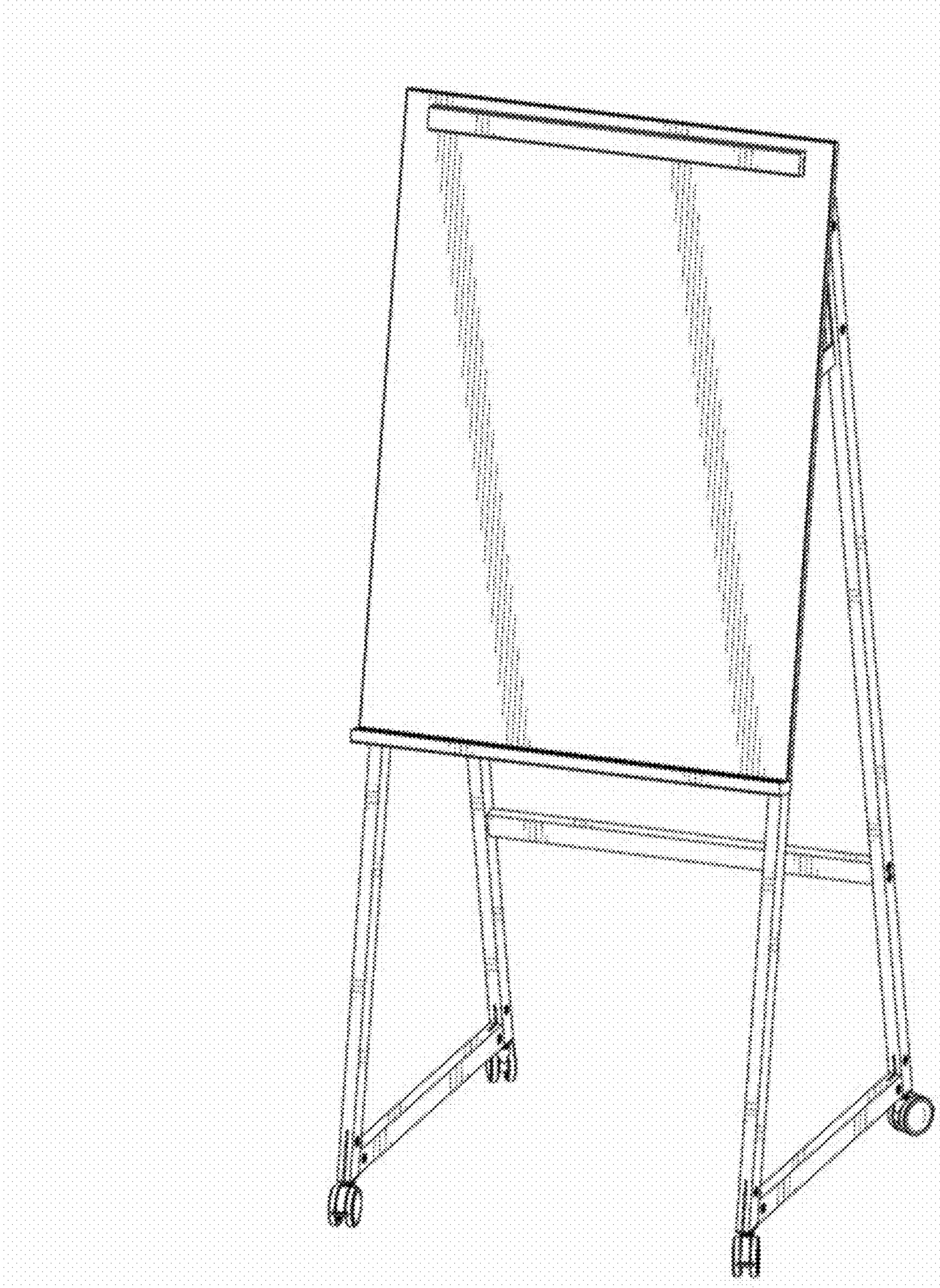
# 1.4



1.5



# 1.6



1.7

