

US00D926879S

(12) **United States Design Patent**
Pereira

(10) **Patent No.:** **US D926,879 S**

(45) **Date of Patent:** **** Aug. 3, 2021**

(54) **WRITING BOARD**

(71) Applicant: **BI-SILQUE, S.A.**, Esmoriz (PT)

(72) Inventor: **Adriano Alexandre Oliveira Pereira**,
Esmoriz (PT)

(**) Term: **15 Years**

(21) Appl. No.: **35/508,283**

(22) Filed: **Jul. 1, 2019**

(80) **Hague Agreement Data**

Int. Filing Date: **Jul. 1, 2019**

Int. Reg. No.: **DM/204658**

Int. Reg. Date: **Jul. 1, 2019**

Int. Reg. Pub. Date: **Jan. 3, 2020**

(51) **LOC (13) Cl.** **19-06**

(52) **U.S. Cl.**
USPC **D19/113**

(58) **Field of Classification Search**
USPC D6/310-314; D19/113
CPC A47B 97/08; A47B 97/04; A47B 23/044;
A47B 23/043; A47B 2220/0083; B43L
1/00; B43L 1/06
See application file for complete search history.

(56) **References Cited**

U.S. PATENT DOCUMENTS

D286,894 S * 11/1986 Haas D19/113
D344,637 S * 3/1994 Brown D19/113

D347,360 S * 5/1994 Wheeler D19/113
D787,593 S * 5/2017 Robins D19/113
D791,232 S * 7/2017 Terada D19/114
D852,272 S * 6/2019 Lim D19/113
D853,134 S * 7/2019 Zhang D6/310
D855,106 S * 7/2019 Morita D19/113
D859,009 S * 9/2019 Gough D6/300
D864,296 S * 10/2019 Park D19/113
D865,065 S * 10/2019 Georgiadis D21/306
D872,800 S * 1/2020 Kan D19/113
D878,216 S * 3/2020 Janus D10/2

* cited by examiner

Primary Examiner — Michael A. Pratt

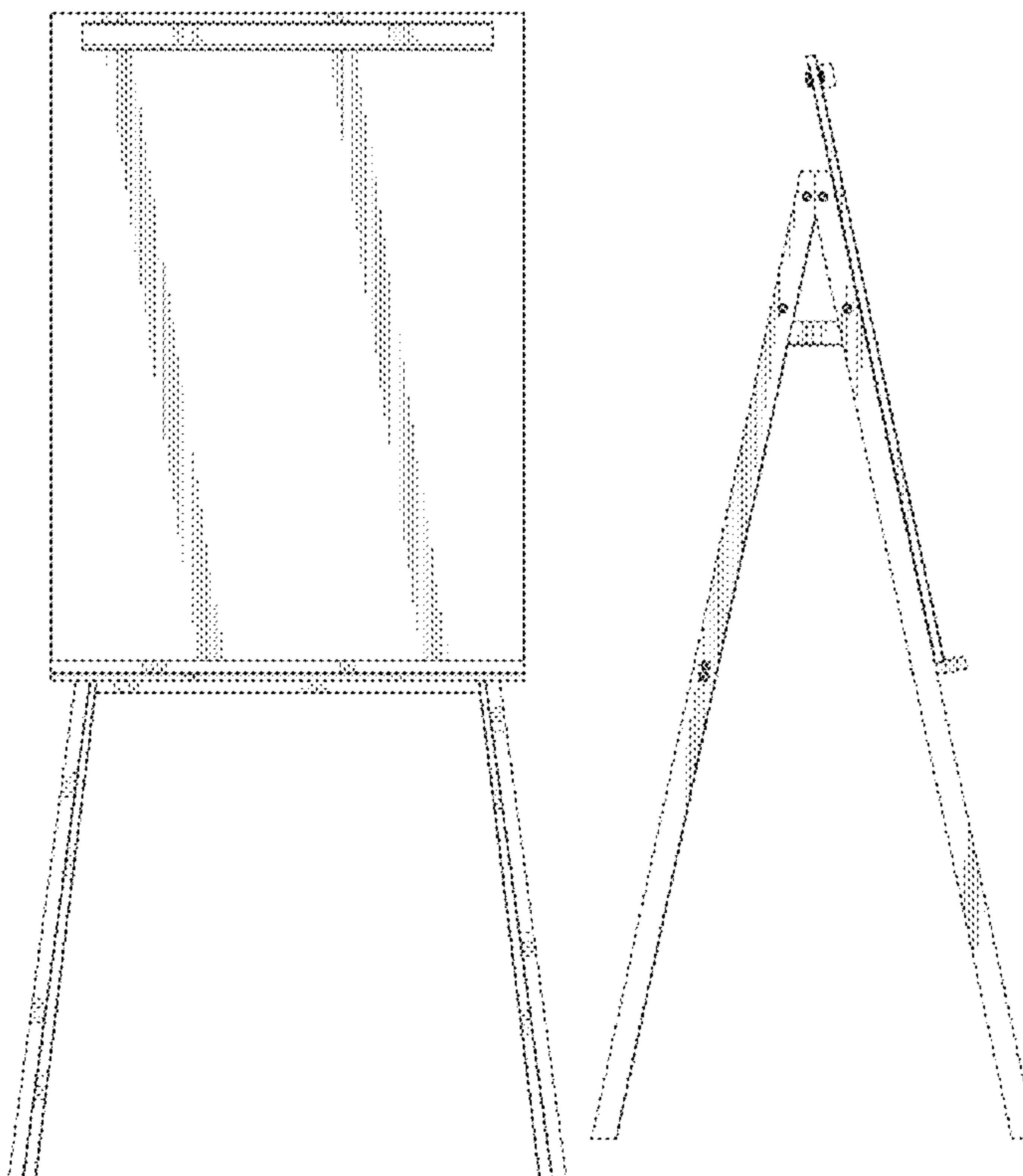
(57) **CLAIM**

The ornamental design for a writing board, as shown and described.

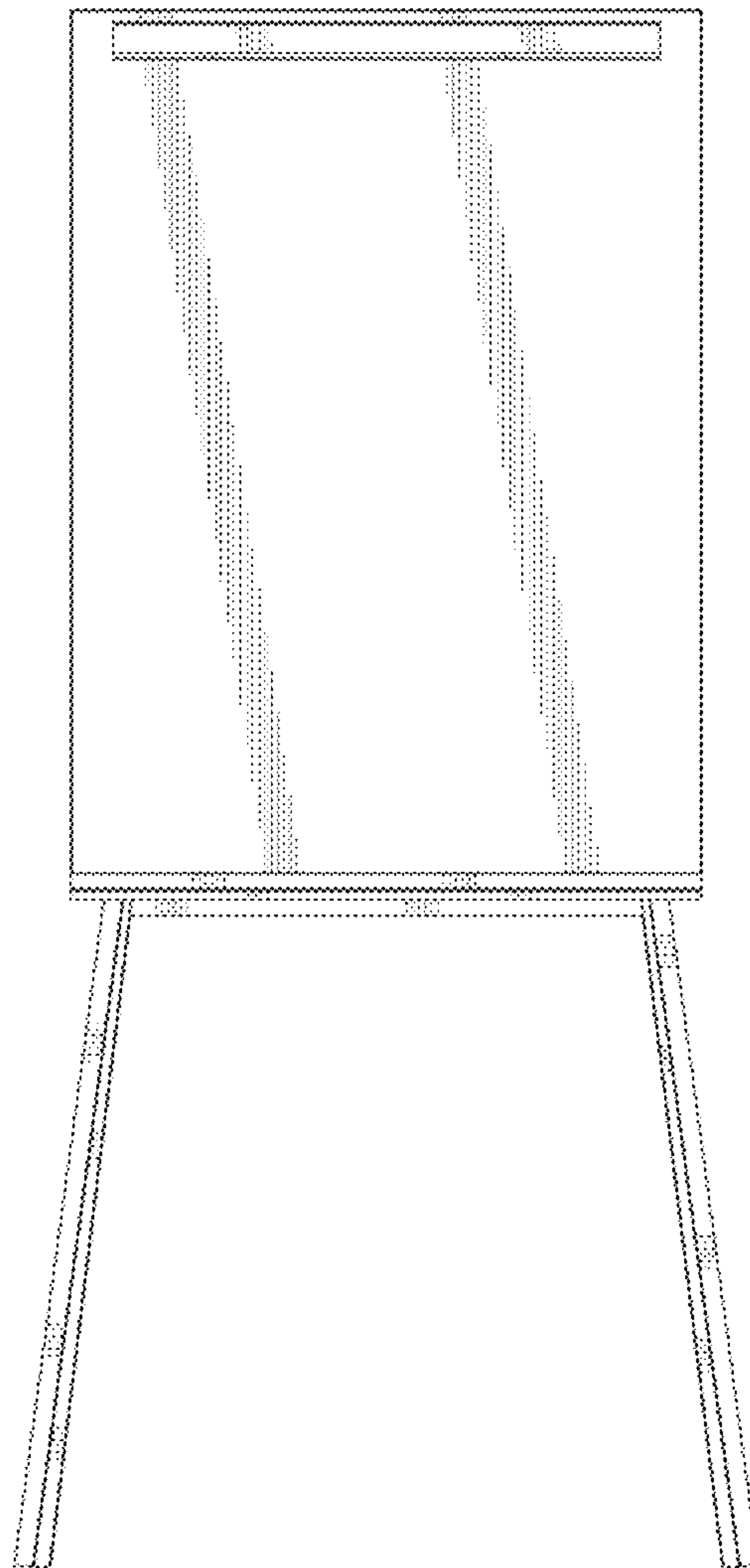
DESCRIPTION

- 1. Writing board
- 1.1 : Front
- 1.2 : Bottom
- 1.3 : Right
- 1.4 : Left
- 1.5 : Perspective
- 1.6 : Top
- 1.7 : Back

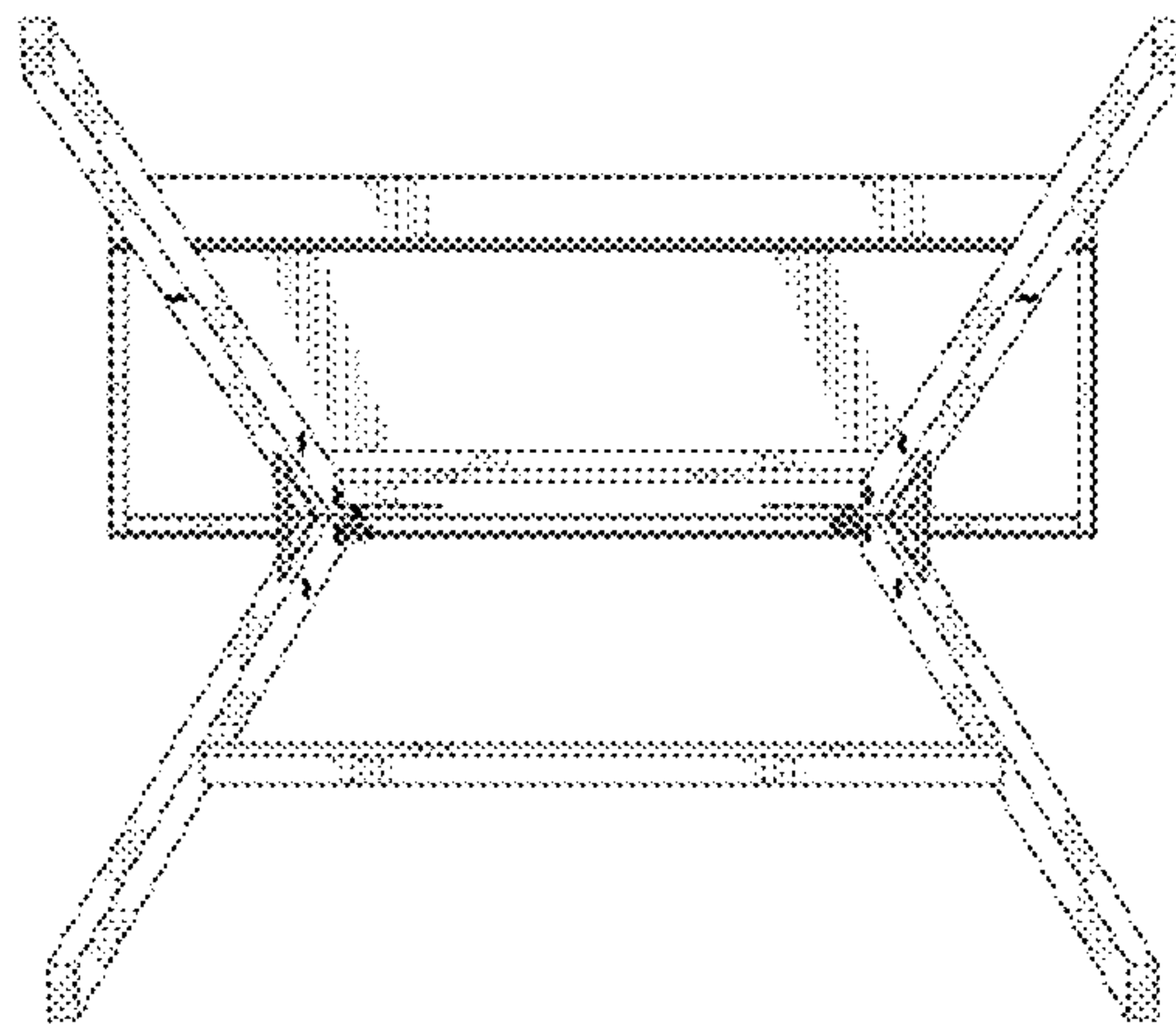
1 Claim, 7 Drawing Sheets



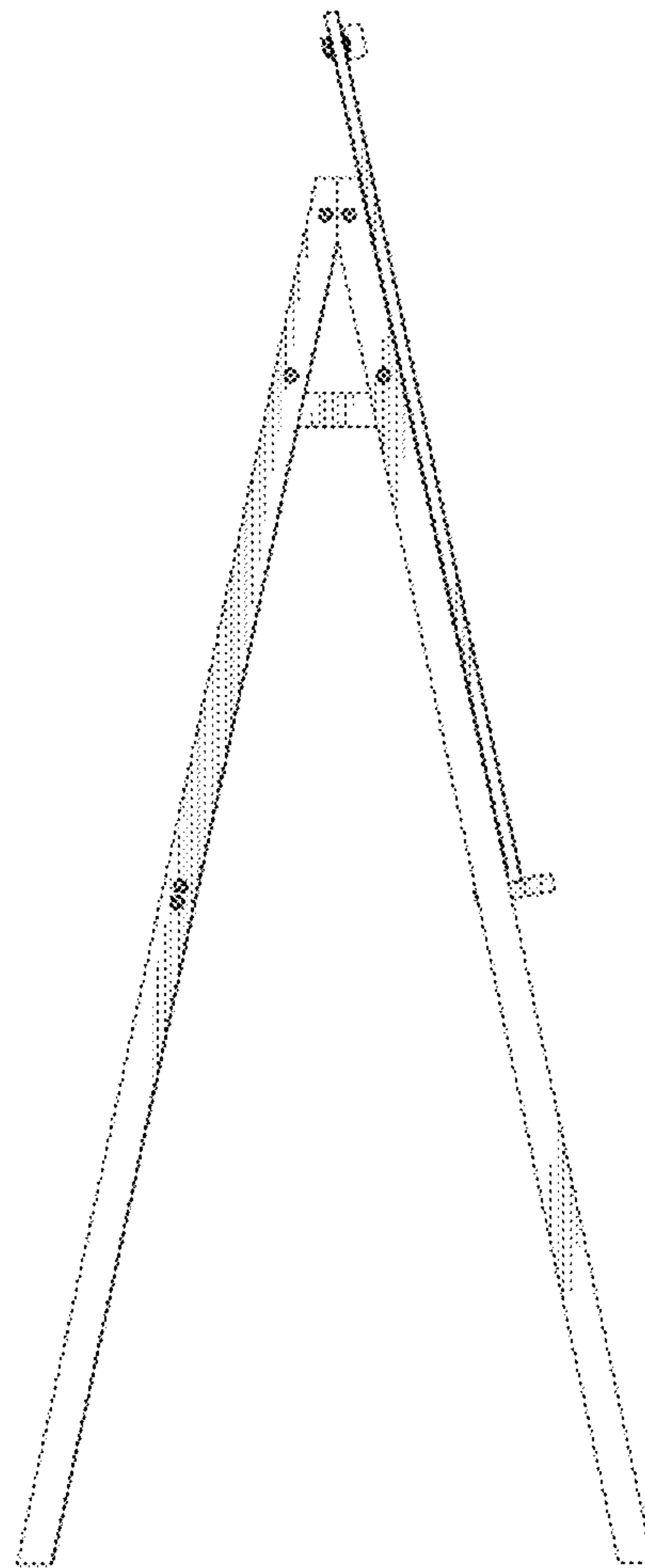
1.1



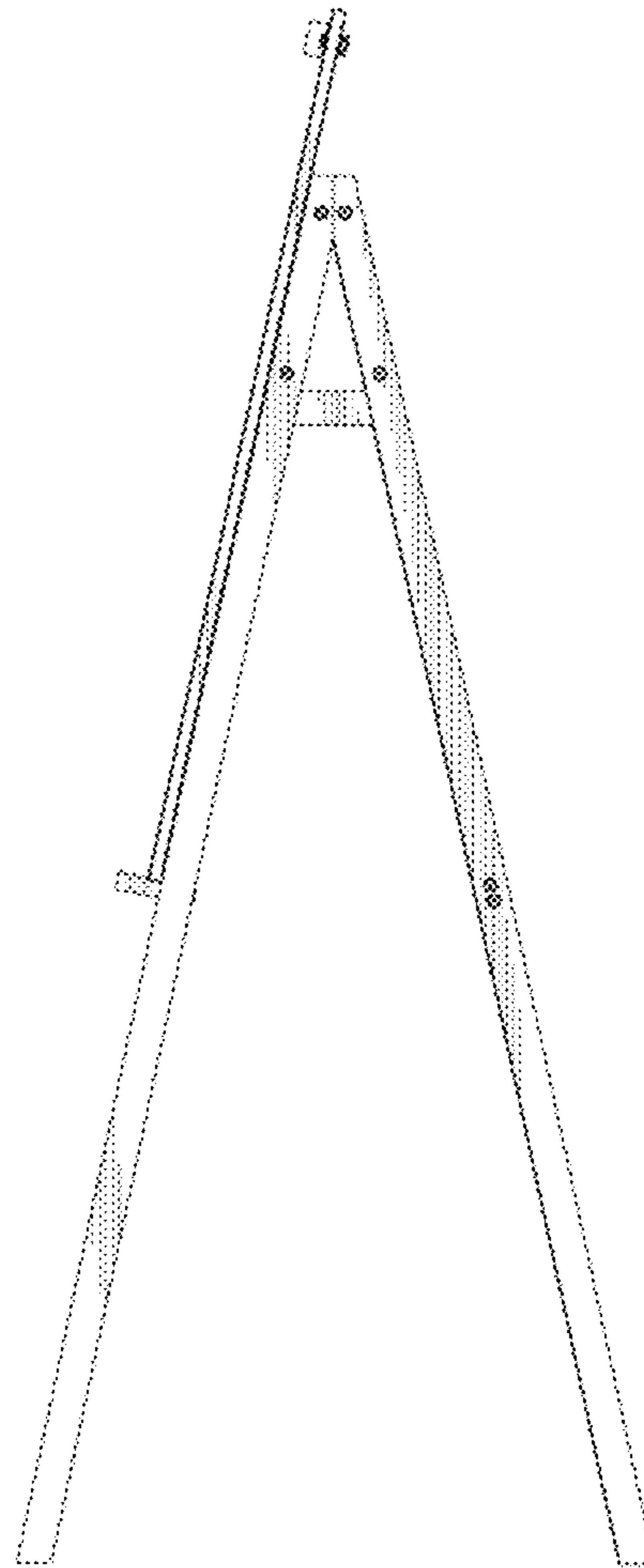
1.2



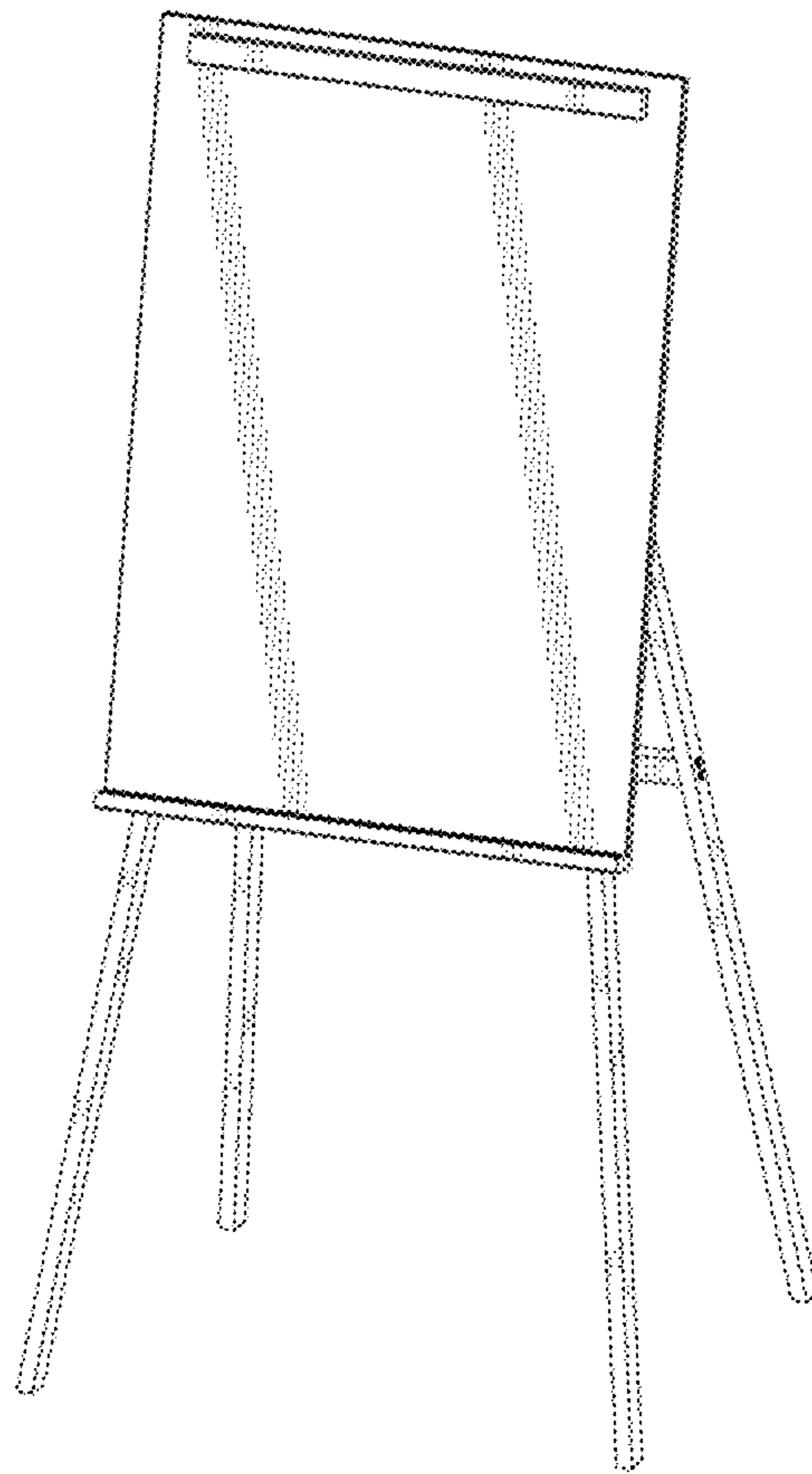
1.3



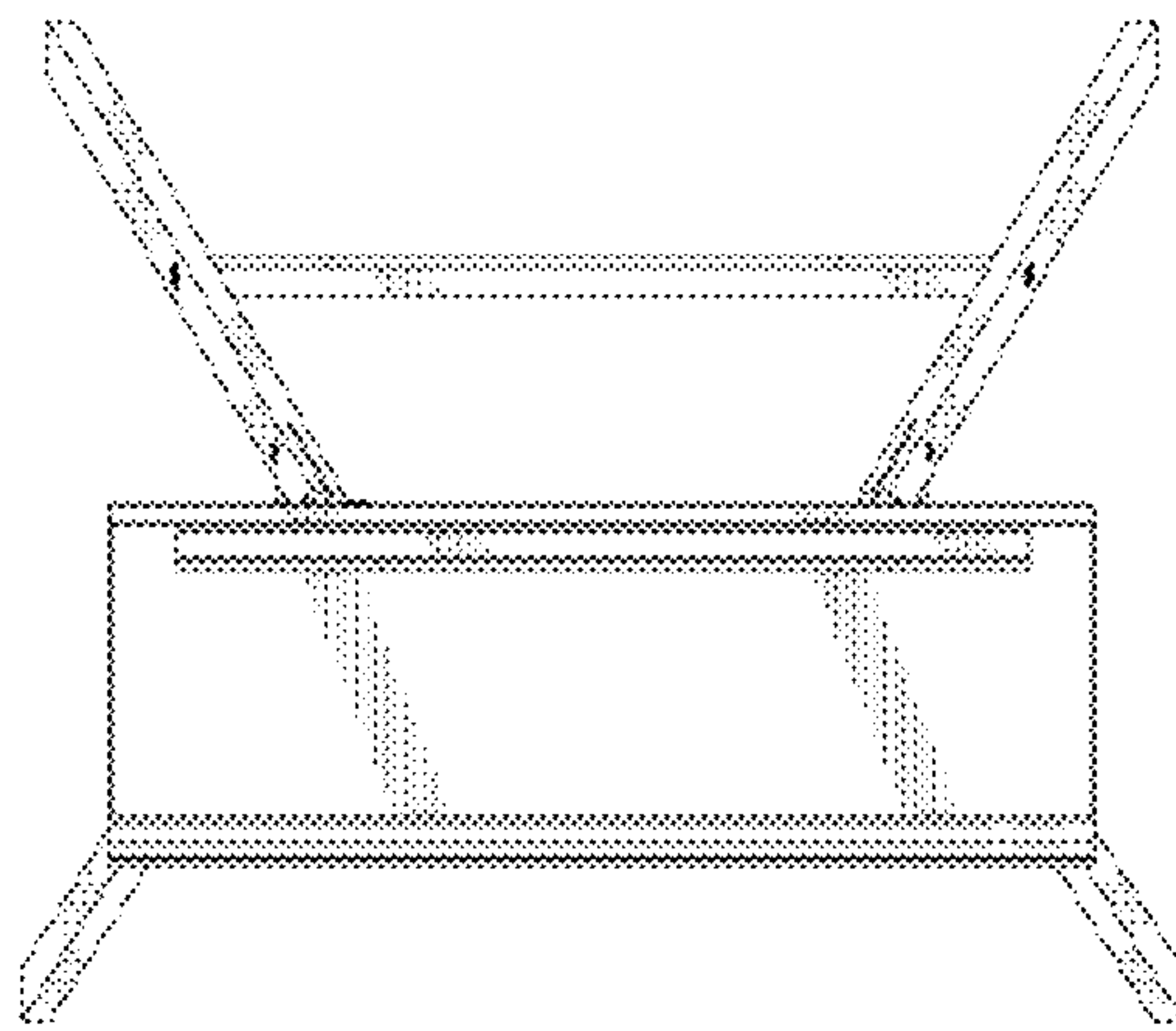
1.4



1.5



1.6



1.7

