

US00D926878S

(12) **United States Design Patent**
Pereira

(10) **Patent No.:** **US D926,878 S**

(45) **Date of Patent:** **** Aug. 3, 2021**

(54) **WRITING BOARD**
(71) Applicant: **BI-SILQUE, S.A.**, Esmoriz (PT)
(72) Inventor: **Adriano Alexandre Oliveira Pereira**,
Esmoriz (PT)

(**) Term: **15 Years**

(21) Appl. No.: **35/508,280**

(22) Filed: **Jul. 1, 2019**

(80) **Hague Agreement Data**

Int. Filing Date: **Jul. 1, 2019**
Int. Reg. No.: **DM/204087**
Int. Reg. Date: **Jul. 1, 2019**
Int. Reg. Pub. Date: **Jan. 3, 2020**

(51) **LOC (13) Cl.** **19-06**

(52) **U.S. Cl.**
USPC **D19/113**

(58) **Field of Classification Search**
USPC D6/310-314; D19/113
CPC A47B 7/08; A47B 7/04; A47B 23/044;
A47B 23/043; A47B 2220/0083; B43L
1/00; B43L 1/06
See application file for complete search history.

(56) **References Cited**

U.S. PATENT DOCUMENTS

1,674,716 A * 6/1928 Craft G09F 15/0056
40/611.02
3,336,682 A * 8/1967 Genin B43L 1/008
434/416

4,254,569 A * 3/1981 Janik G09F 15/0087
40/606.15
D300,149 S * 3/1989 Yamada D19/114
D300,150 S * 3/1989 Ishii D18/36
6,917,442 B1 * 7/2005 Eguchi G03G 15/6564
358/1.6
D627,394 S * 11/2010 Nakayama D19/114
D671,170 S * 11/2012 Udagawa D19/114
D791,232 S * 7/2017 Terada D19/114
D853,134 S * 7/2019 Zhang D6/310
D864,296 S * 10/2019 Park D19/113
D865,065 S * 10/2019 Georgiadis D21/306
D896,192 S * 9/2020 Ren D13/184
D897,432 S * 9/2020 Florin D19/114

* cited by examiner

Primary Examiner — Michael A. Pratt

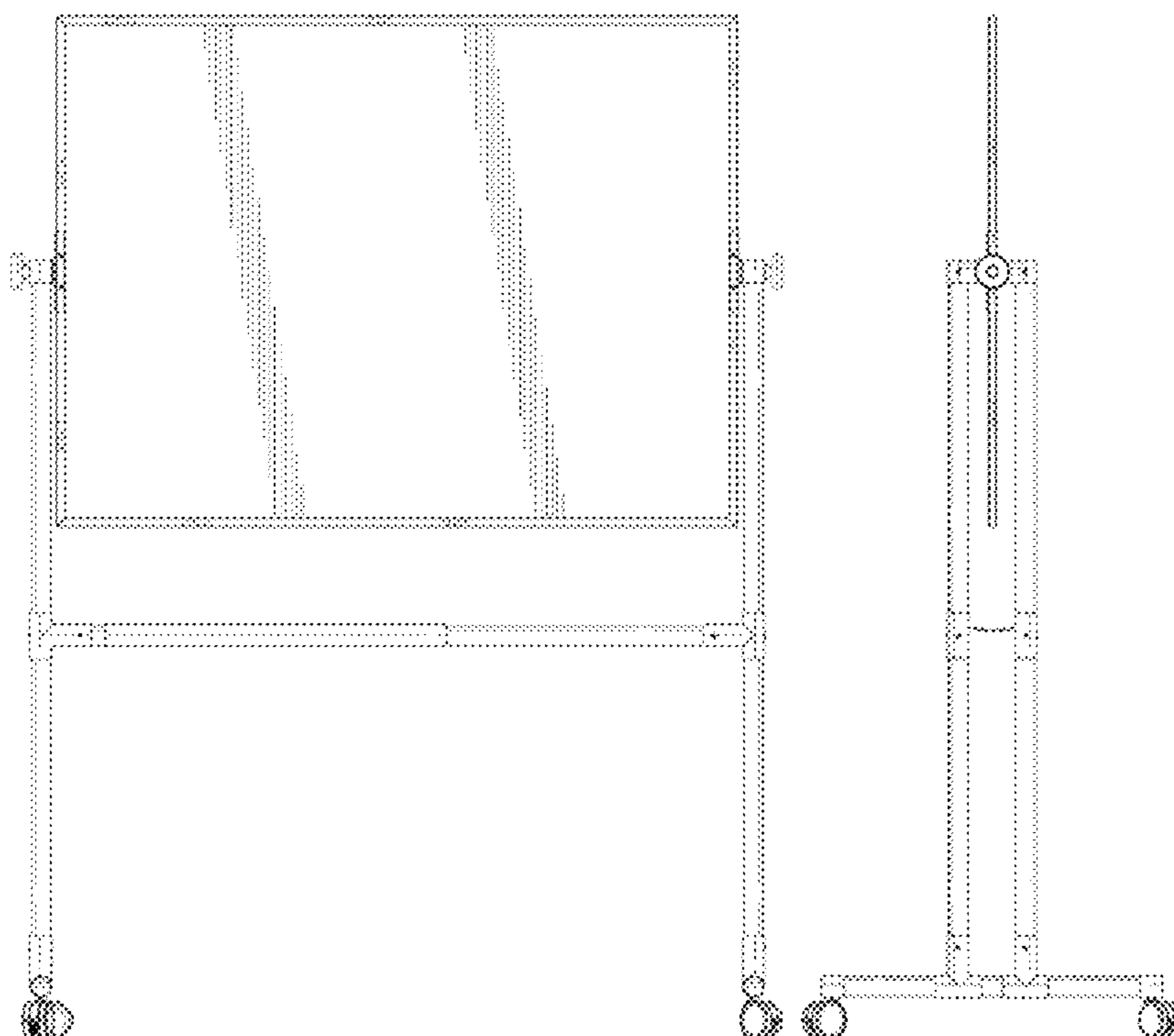
(57) **CLAIM**

The ornamental design for a writing board, as shown and described.

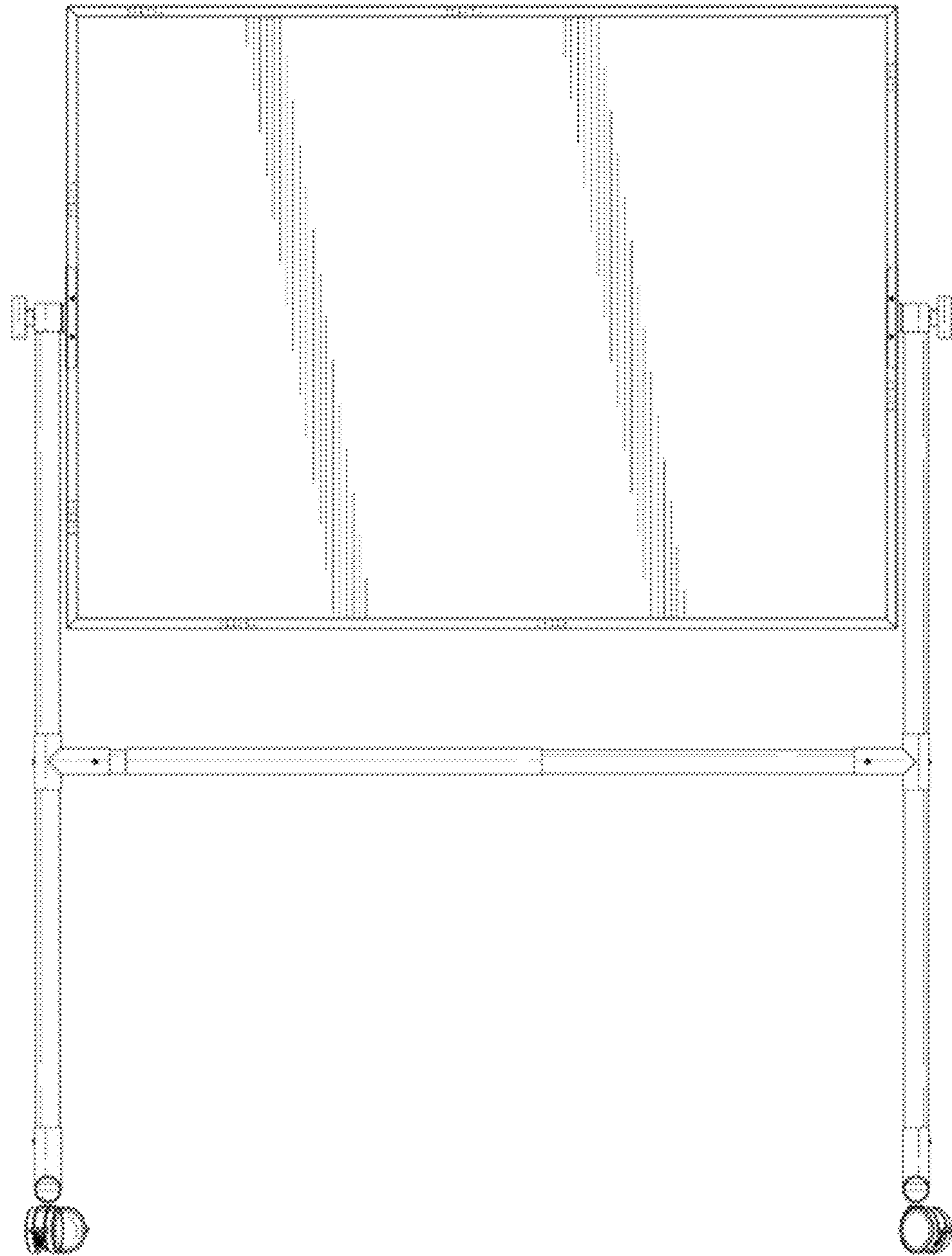
DESCRIPTION

- 1. Writing board
- 1.1:Front
- 1.2:Bottom
- 1.3:Right
- 1.4:Perspective
- 1.5:Left
- 1.6:Top
- 1.7:Back

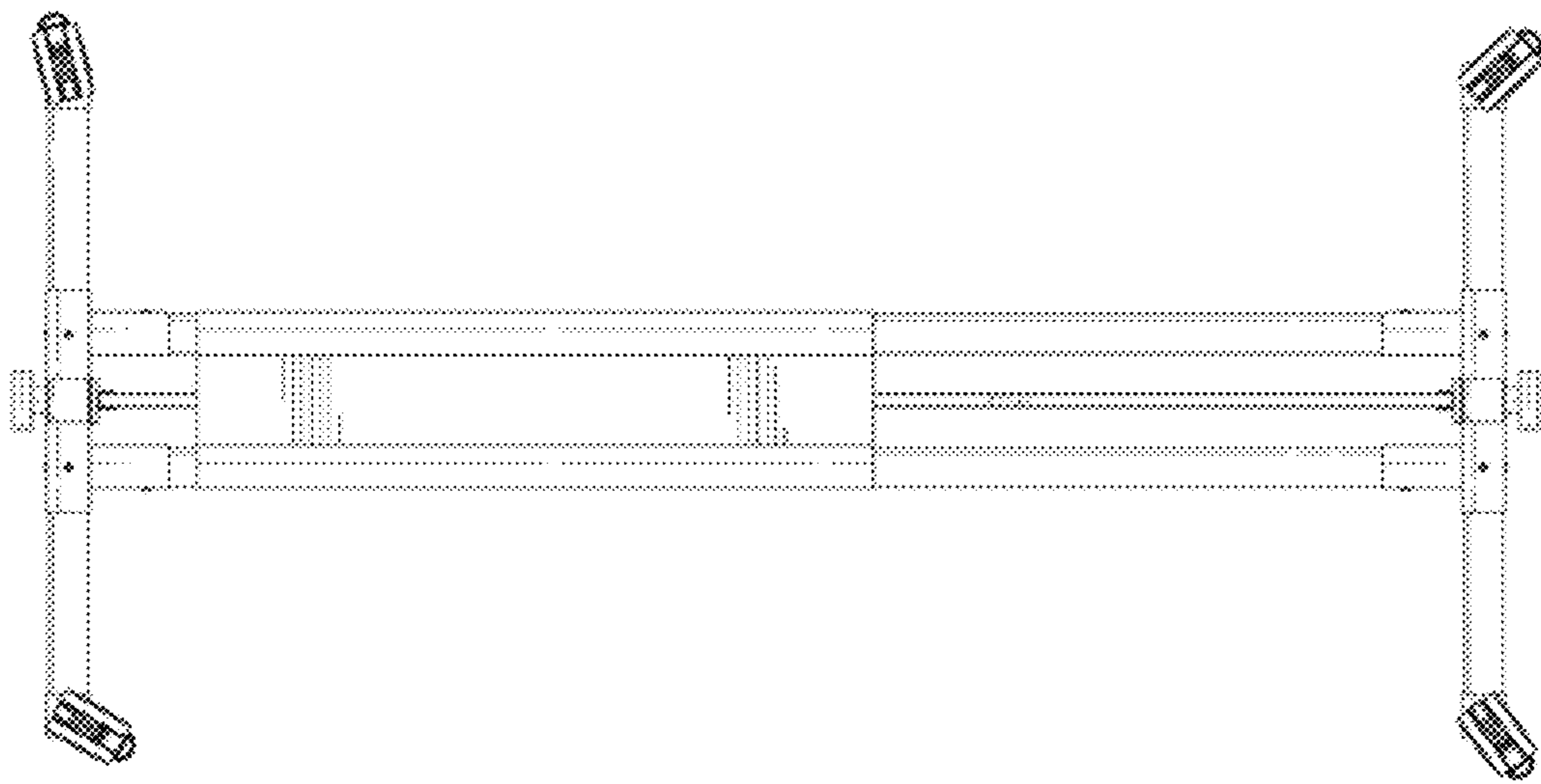
1 Claim, 7 Drawing Sheets



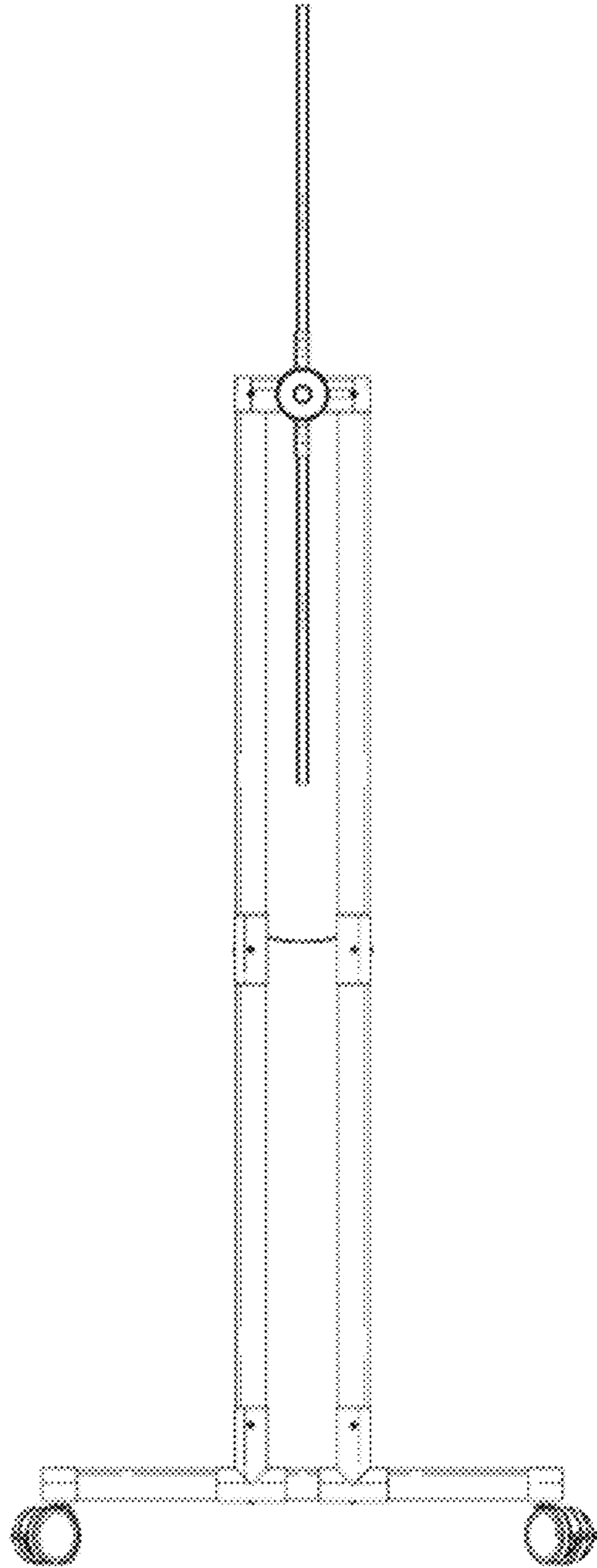
1.1



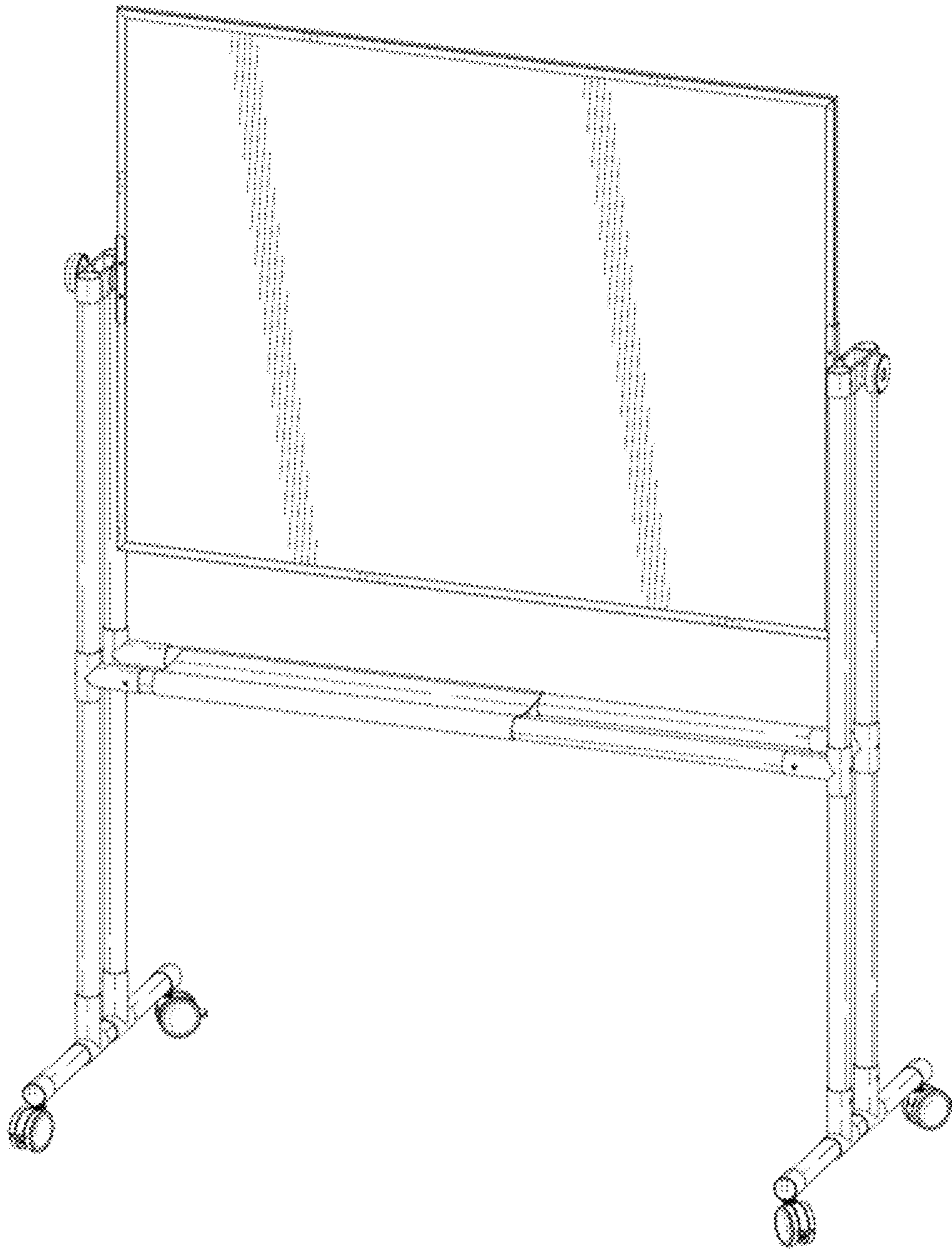
1.2



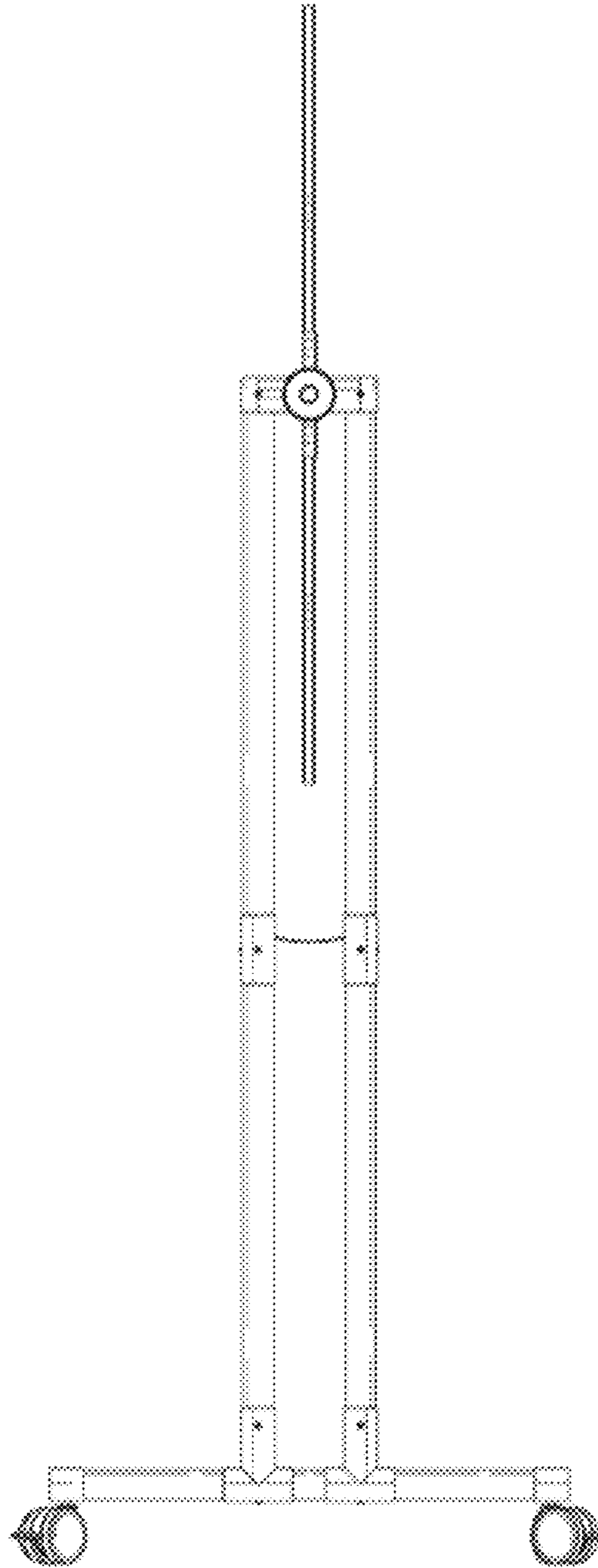
1.3



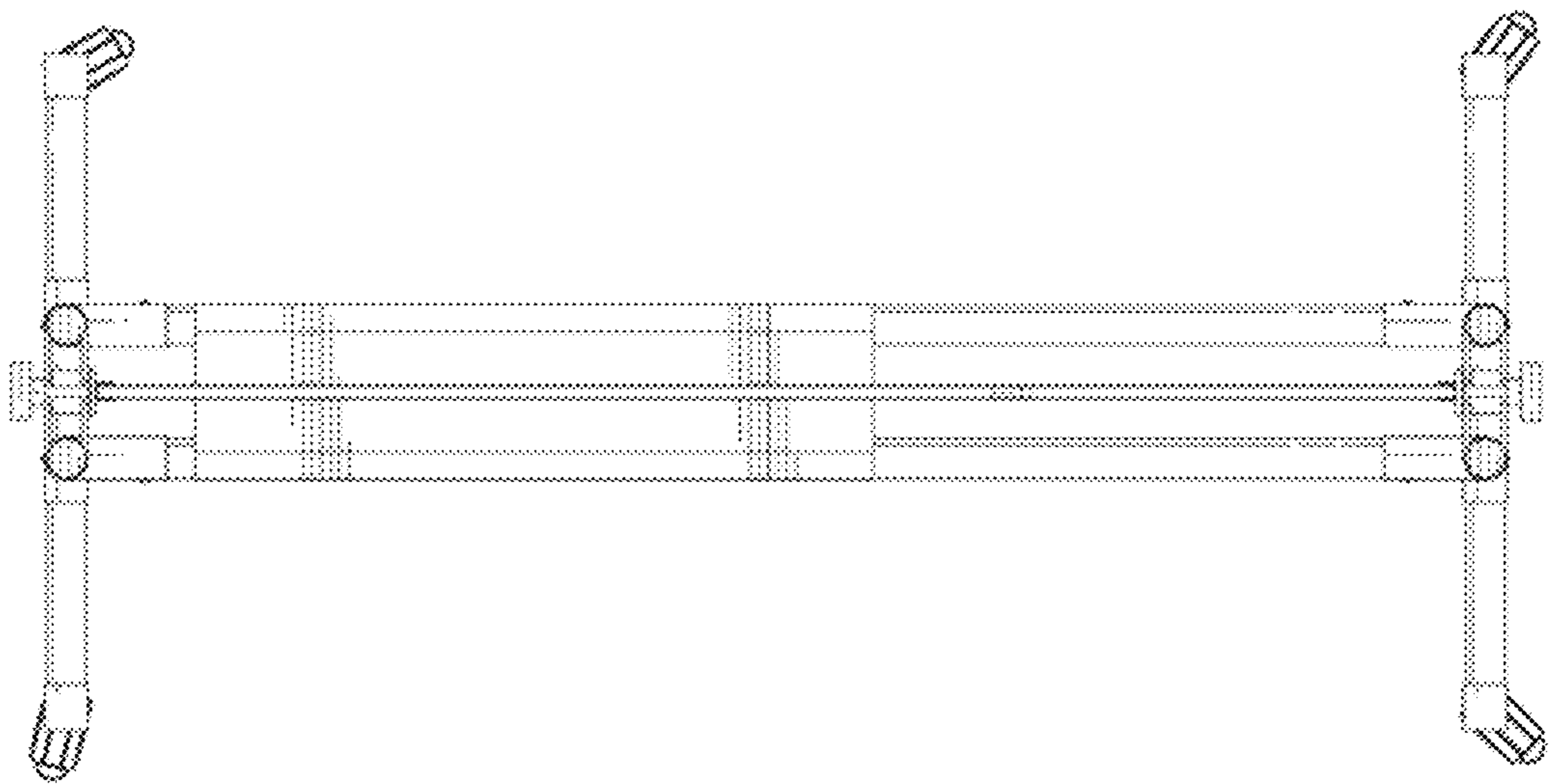
1.4



1.5



1.6



1.7

