

US00D926876S

(12) **United States Design Patent** (10) **Patent No.:** **US D926,876 S**
Odachi (45) **Date of Patent:** **** Aug. 3, 2021**

(54) **PRINTER**

(71) Applicant: **CANON KABUSHIKI KAISHA**,
Tokyo (JP)

(72) Inventor: **Ayaka Odachi**, Tokyo (JP)

(73) Assignee: **Canon Kabushiki Kaisha**, Tokyo (JP)

(**) Term: **15 Years**

(21) Appl. No.: **29/667,686**

(22) Filed: **Oct. 24, 2018**

(30) **Foreign Application Priority Data**

Apr. 25, 2018 (JP) 2018-009138

(51) **LOC (13) Cl.** **14-02**

(52) **U.S. Cl.**
USPC **D18/50**

(58) **Field of Classification Search**
USPC D18/50, 36-37, 54.1, 56, 19, 18, 41;
D14/218
CPC B41J 3/36; B41J 15/12; B41J 15/42; G06F
3/02

See application file for complete search history.

(56) **References Cited**

U.S. PATENT DOCUMENTS

D466,551 S *	12/2002	Nagai	D18/50
D744,028 S	11/2015	Odachi	
D822,759 S *	7/2018	Yamamoto	D18/50
D844,052 S *	3/2019	Oishi	D18/50
D851,698 S *	6/2019	Oishi	D18/50

* cited by examiner

Primary Examiner — Kevin K Rudzinski

Assistant Examiner — J. Thorn, Sr.

(74) *Attorney, Agent, or Firm* — Venable LLP

(57) **CLAIM**

The ornamental design for a printer, as shown and described.

DESCRIPTION

FIG. 1 is a perspective view of a printer showing my new design;

FIG. 2 is a front view thereof; and,

FIG. 3 is an enlarged front view of a window portion thereof.

The broken lines in the drawings illustrate portions of the printer which form no part of the claimed design.

1 Claim, 2 Drawing Sheets

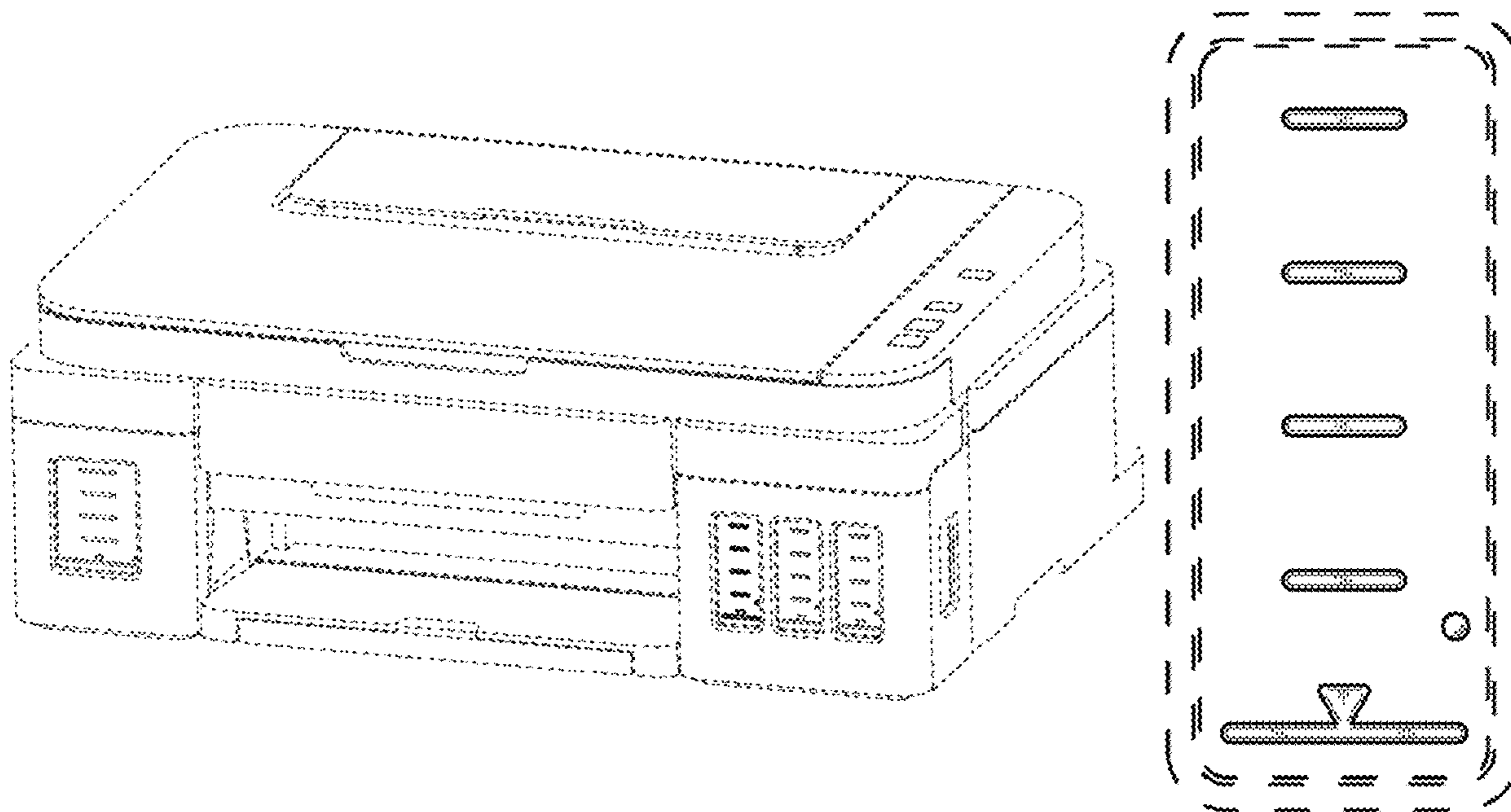


FIG 1

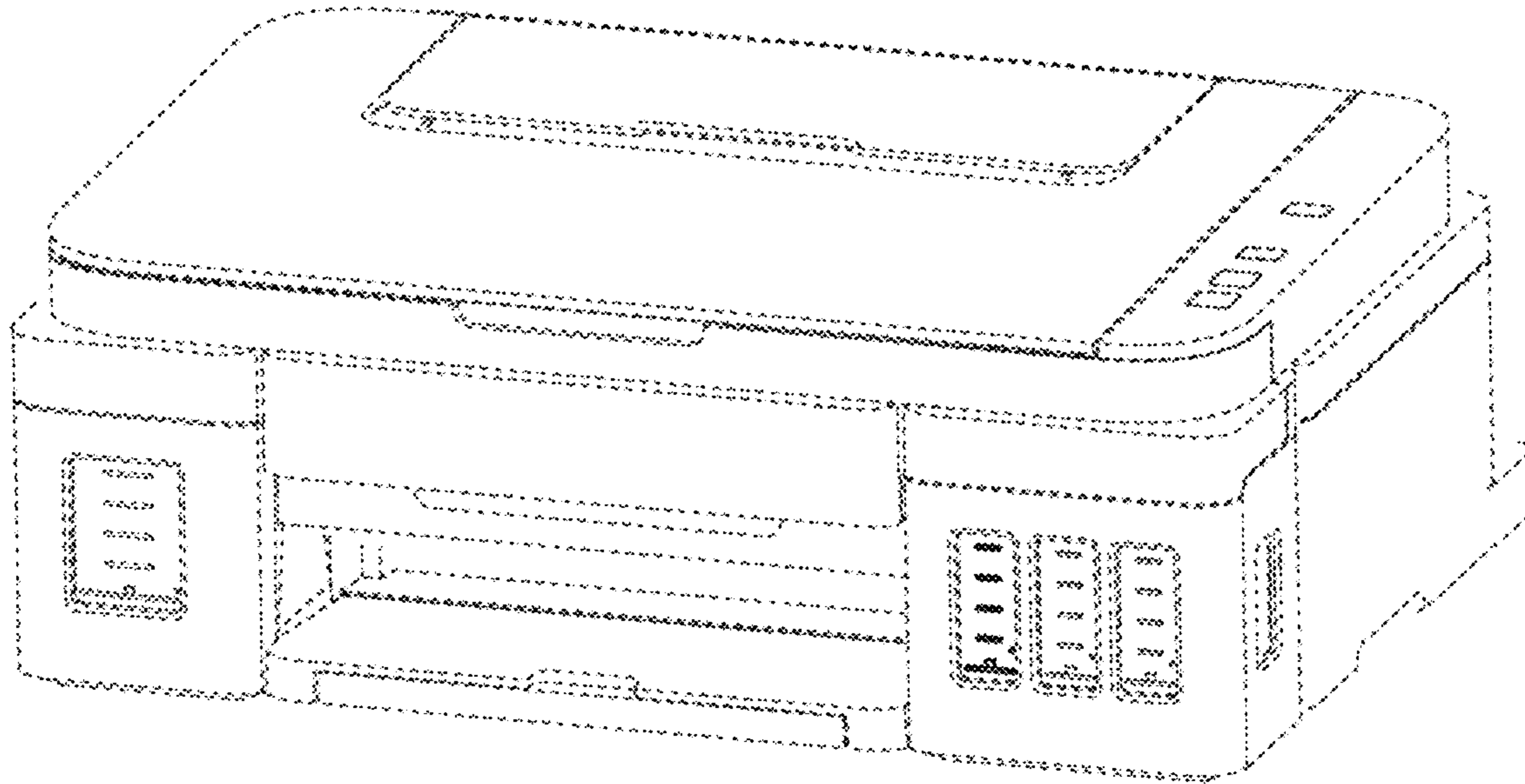


FIG 2

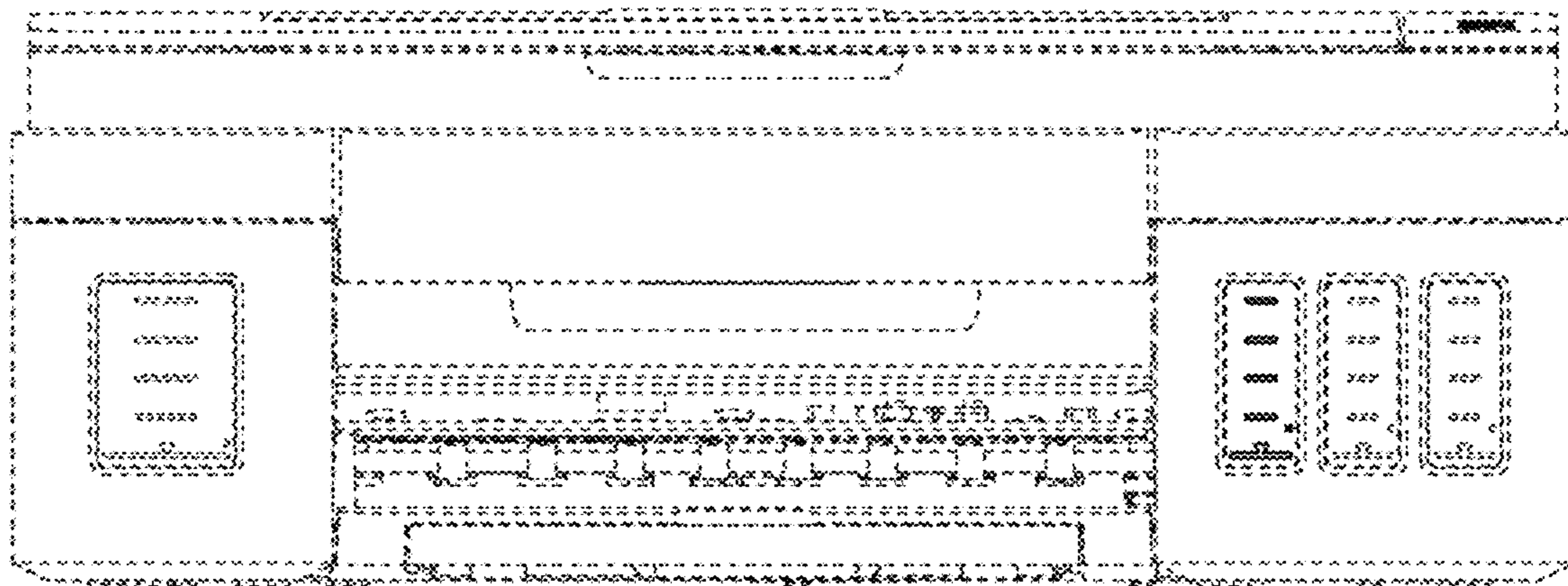


FIG 3

