



US00D926875S

(12) **United States Design Patent** (10) **Patent No.:** **US D926,875 S**
Larsson et al. (45) **Date of Patent:** **** Aug. 3, 2021**

(54) **FREESTANDING PAYMENT TERMINAL**

(74) *Attorney, Agent, or Firm* — Mintz Levin Cohn Ferris Glovsky and Popeo, PC; Lisa Adams

(71) Applicant: **Dover Fueling Solutions UK Limited**,
Edinburgh (GB)

(57) **CLAIM**

(72) Inventors: **Bengt I. Larsson**, Skivarp (SE); **Hanna Helgesson**, Dalby (SE)

The ornamental design for a freestanding payment terminal, as shown and described.

(73) Assignee: **TOKHEIM UK LIMITED**, Edinburgh (GB)

DESCRIPTION

(**) Term: **15 Years**

FIG. 1 is a perspective view of one embodiment of a new design of a freestanding payment terminal;

(21) Appl. No.: **29/729,924**

FIG. 2 is a front view of the freestanding payment terminal of FIG. 1;

(22) Filed: **Mar. 31, 2020**

FIG. 3 is a right view of the freestanding payment terminal of FIG. 1;

Related U.S. Application Data

FIG. 4 is a left view of the freestanding payment terminal of FIG. 1;

(62) Division of application No. 35/506,457, filed on Sep. 21, 2018 (U.S. filing date under 35 U.S.C. 384), and
(Continued)

FIG. 5 is a back view of the freestanding payment terminal of FIG. 1;

(51) **LOC (13) Cl.** **18-01**

FIG. 6 is a top view of the freestanding payment terminal of FIG. 1;

(52) **U.S. Cl.**
USPC **D18/4.4**

FIG. 7 is an enlarged perspective view of a portion of the freestanding payment terminal of FIG. 1;

(58) **Field of Classification Search**
USPC D18/4.4, 4.5, 4.6, 12, 12.1, 12.3;
D14/383, 384, 385, 386, 378
(Continued)

FIG. 8 is a perspective view of another embodiment of a new design of a freestanding payment terminal;

FIG. 9 is a front view of the freestanding payment terminal of FIG. 8;

(56) **References Cited**

U.S. PATENT DOCUMENTS

D545,882 S 7/2007 Sato
D677,714 S 3/2013 Helgesson
(Continued)

FIG. 10 is a right view of the freestanding payment terminal of FIG. 8;

FIG. 11 is a left view of the freestanding payment terminal of FIG. 8;

FIG. 12 is a back view of the freestanding payment terminal of FIG. 8;

FIG. 13 is a top view of the freestanding payment terminal of FIG. 8; and,

OTHER PUBLICATIONS

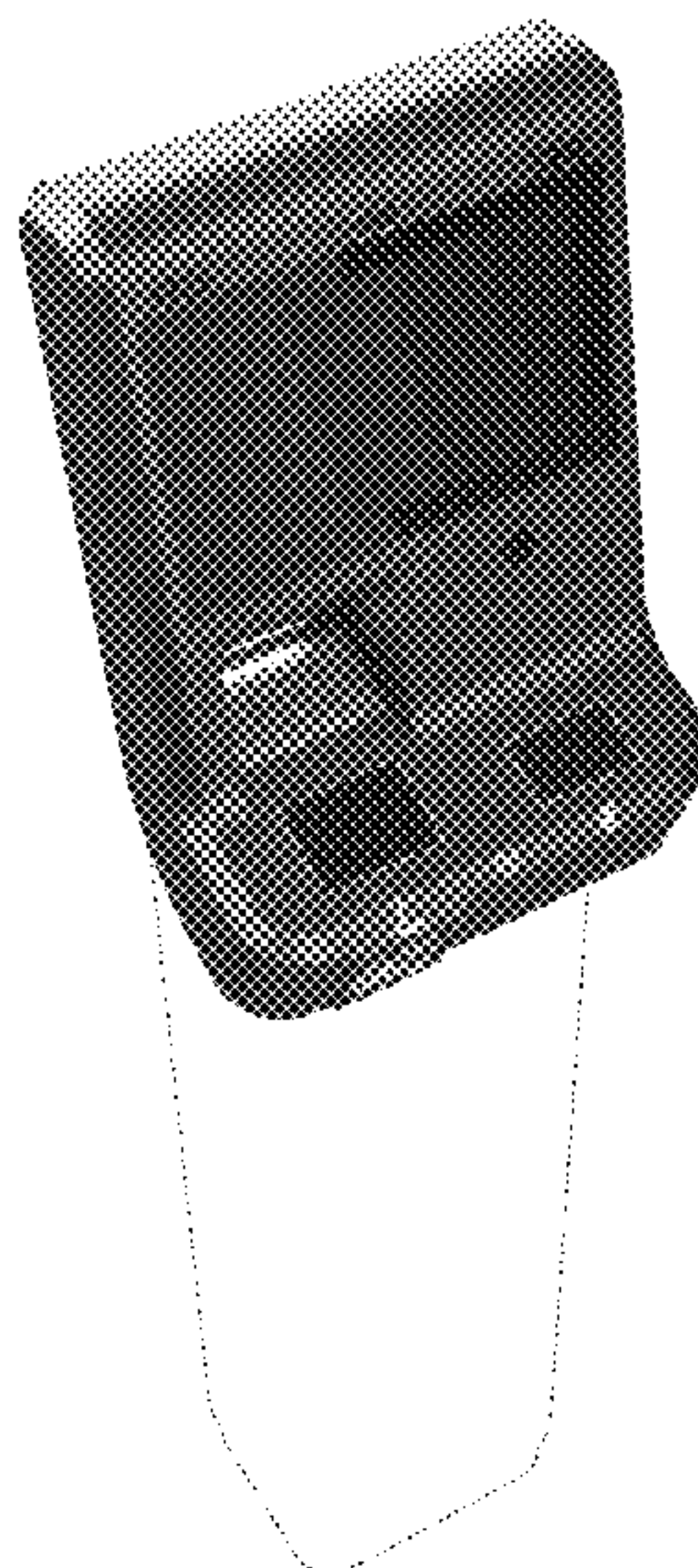
U.S. Appl. No. 35/506,457, filed Sep. 21, 2018, Bengt I. Larsson.

FIG. 14 is an enlarged perspective view of a portion of the freestanding payment terminal of FIG. 8.

The broken lines in the drawings form no part of the claimed design.

Primary Examiner — Khawaja Anwar

1 Claim, 14 Drawing Sheets



Related U.S. Application Data

having an international filing date of Sep. 21, 2018,
now Pat. No. Des. 890,253.

(58) **Field of Classification Search**

CPC G06K 19/07749; G06K 19/0723; G06K
19/041; G06K 19/07758; G06K 19/0775;
G06K 19/07783; G06K 19/07794; G06K
19/06046; G06K 19/07722; G06K
19/07773; G06K 19/07779; G06K
19/07784; G06K 19/07786; G06K
19/0709; G06K 7/10178; G06K 7/10336;
G06K 7/1096; G06K 13/067; G06K
13/16; G06K 17/00; G06K 17/0006;
G06K 17/0022; G06K 17/0025; G06K
19/02; G06K 19/06; G06K 19/06028;
G06K 19/0614; G06K 19/06206; G06K
19/067

See application file for complete search history.

(56) **References Cited**

U.S. PATENT DOCUMENTS

D687,483 S	8/2013	Hagiwara	
D741,853 S	10/2015	Barron	
D762,766 S	8/2016	Bedier	
D773,554 S *	12/2016	Zong	D18/4.4
D807,424 S	1/2018	Chang	
D857,791 S *	8/2019	Luo	D18/4.4
D872,171 S *	1/2020	Luo	D18/4.4
D882,676 S *	4/2020	Sorio	D18/4.4
D883,373 S *	5/2020	Sorio	D18/4.4
D890,253 S *	7/2020	Larsson	D18/4.4

* cited by examiner

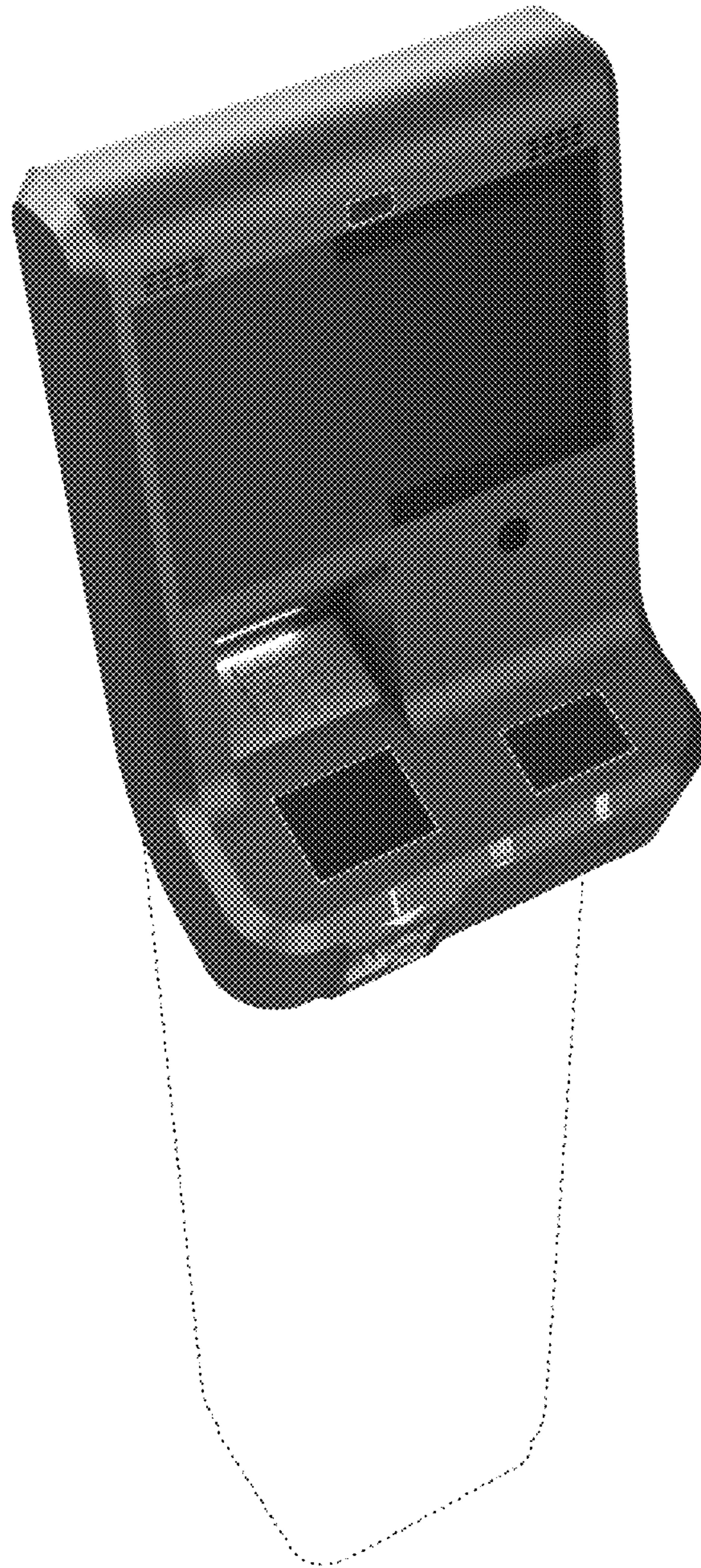


FIG. 1

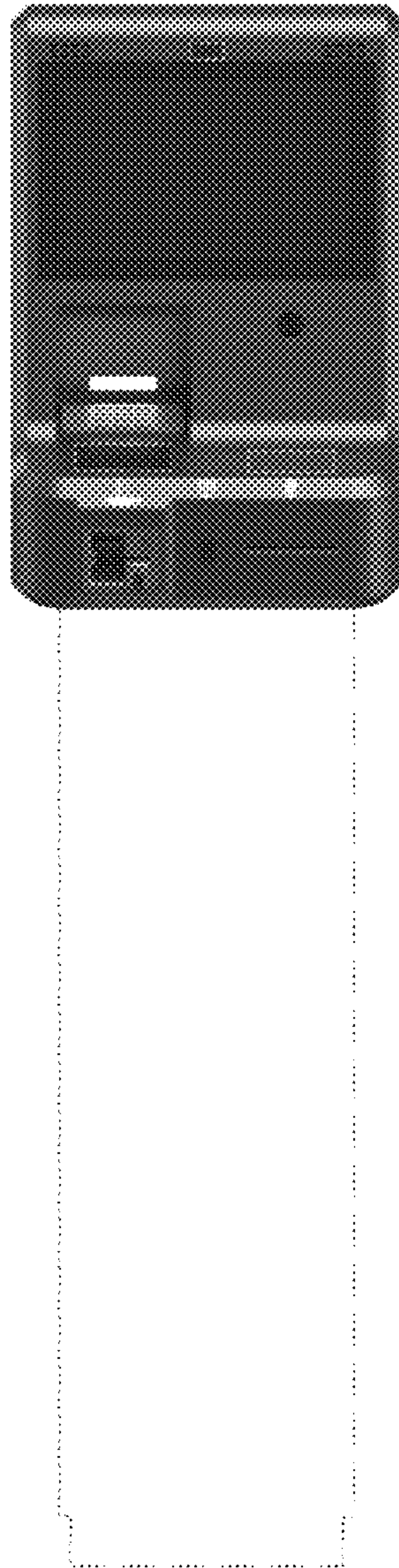


FIG. 2

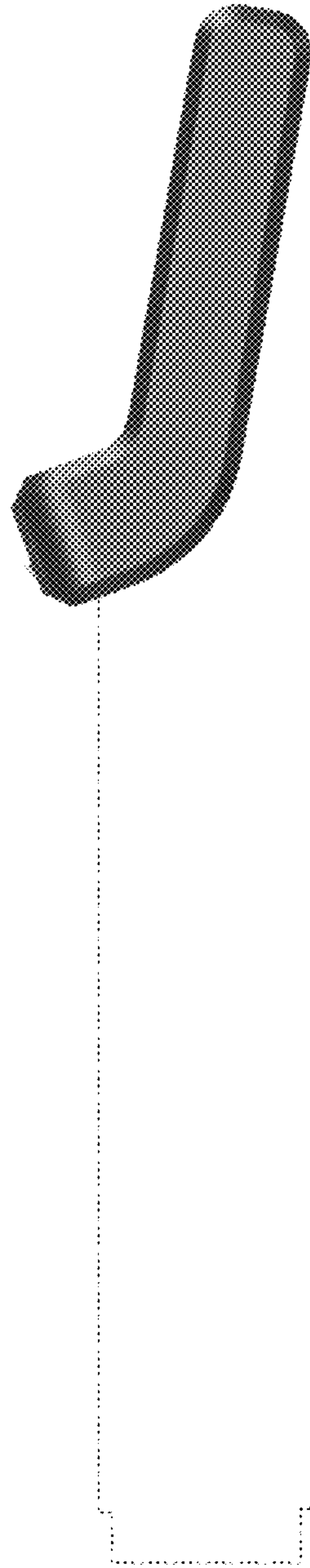


FIG. 3

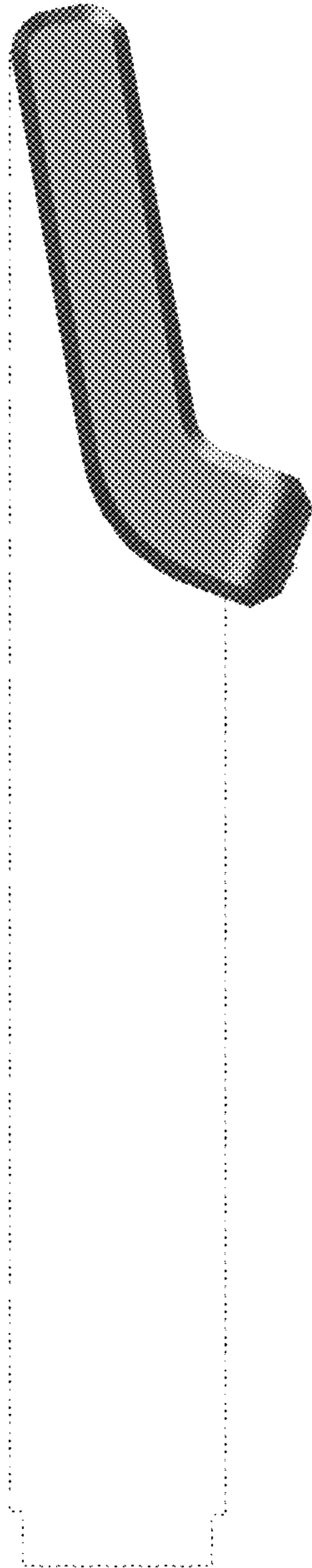


FIG. 4

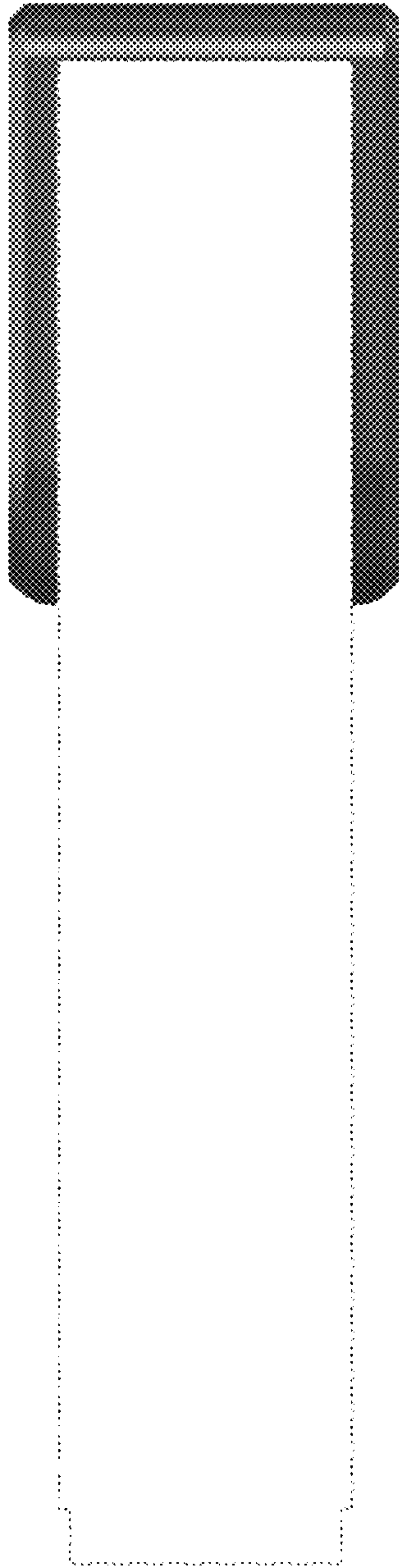


FIG. 5

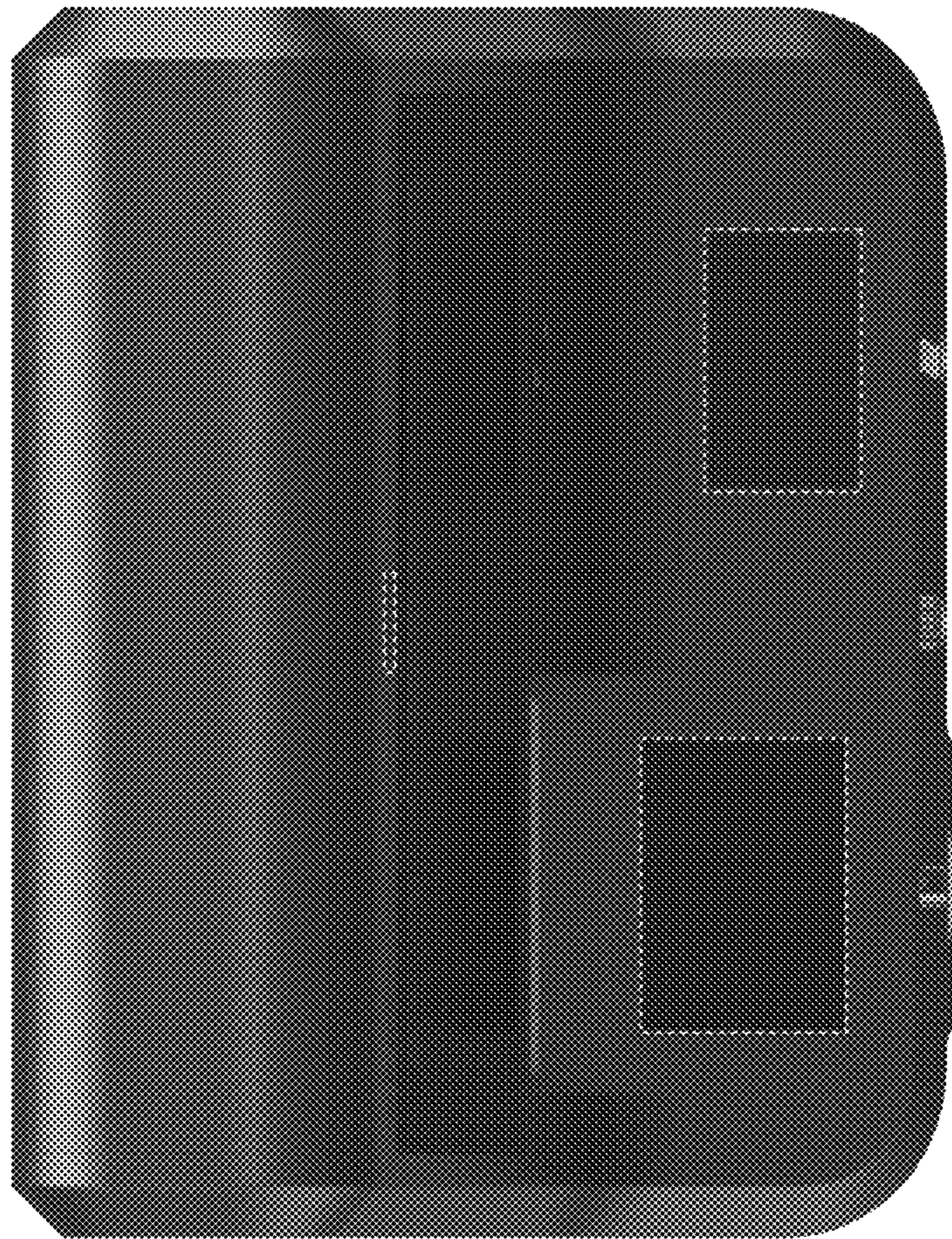


FIG. 6



FIG. 7

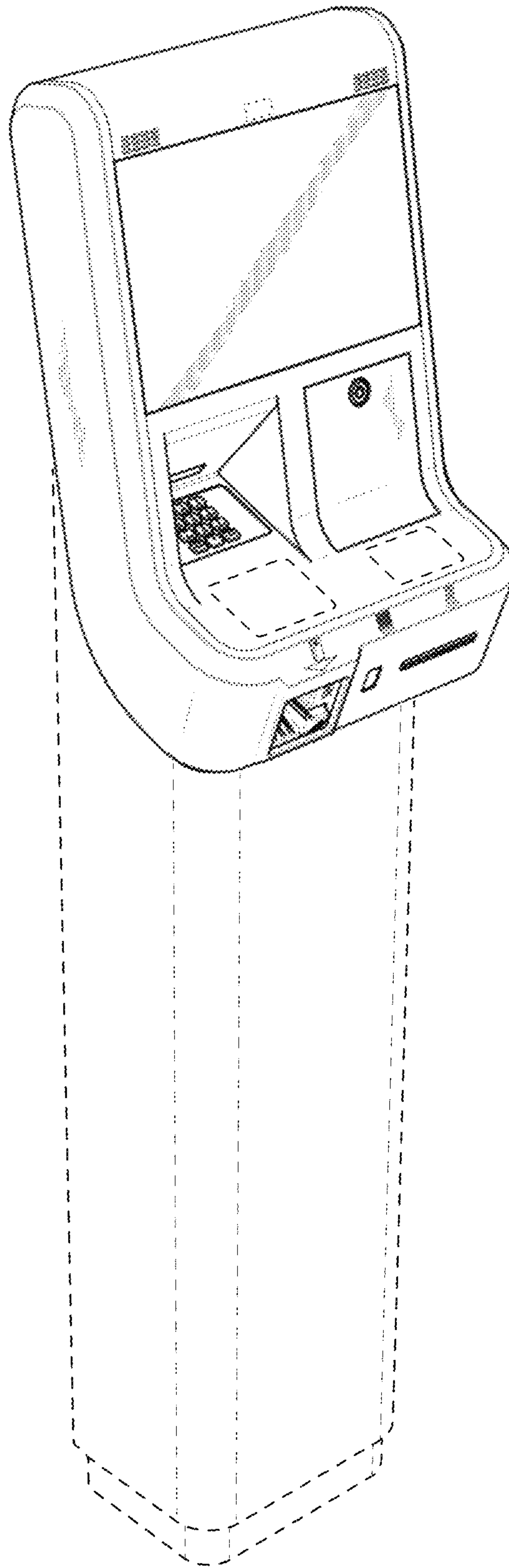


FIG. 8

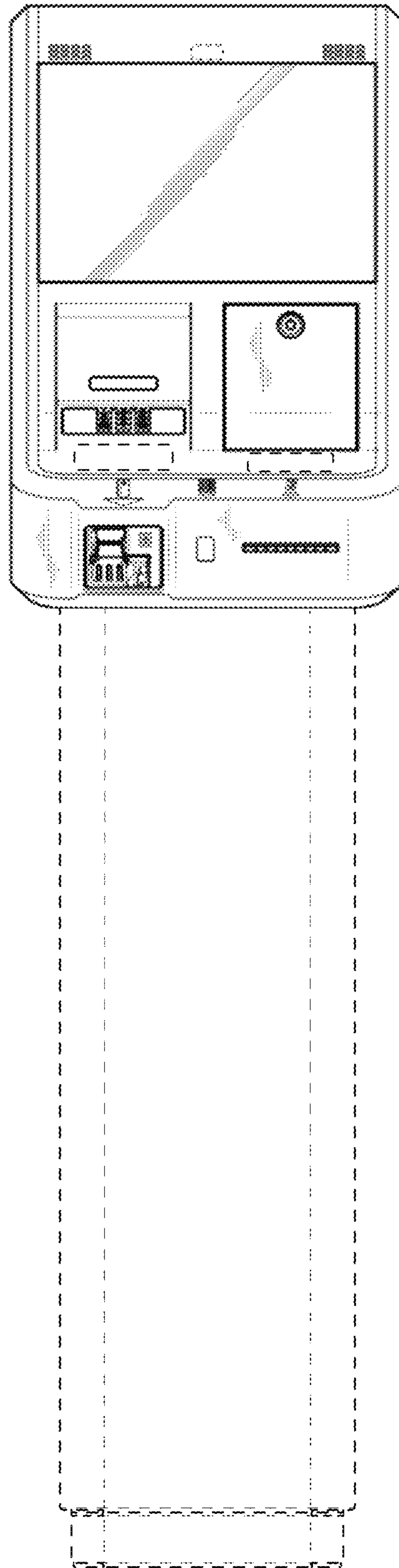


FIG. 9

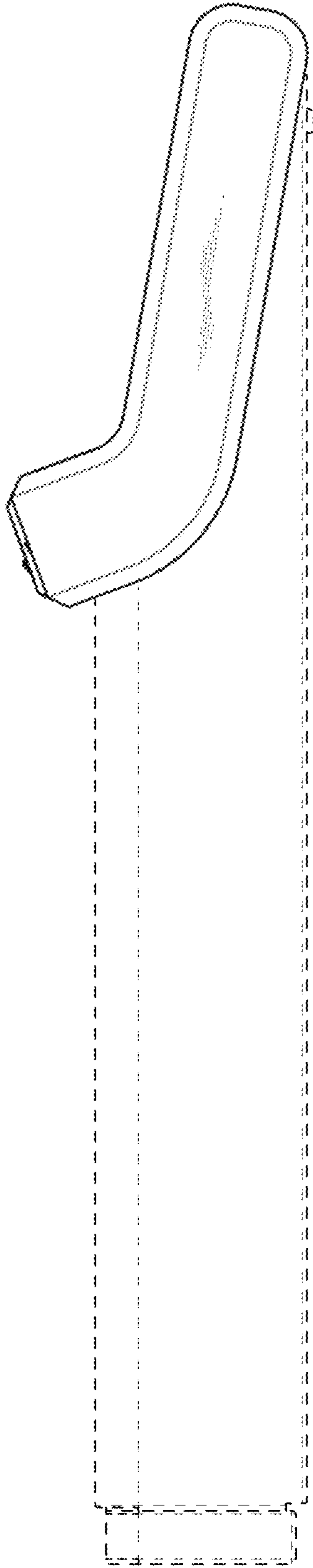


FIG. 10

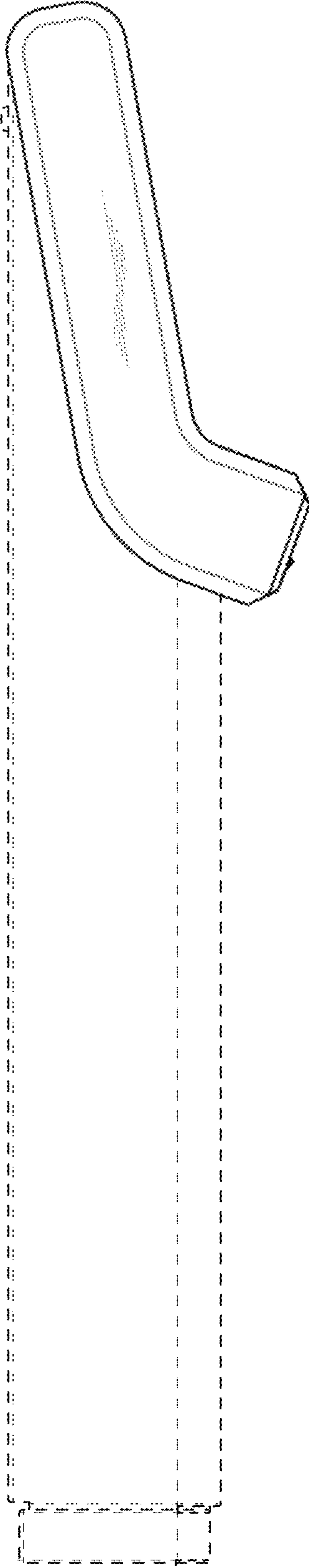


FIG. 11

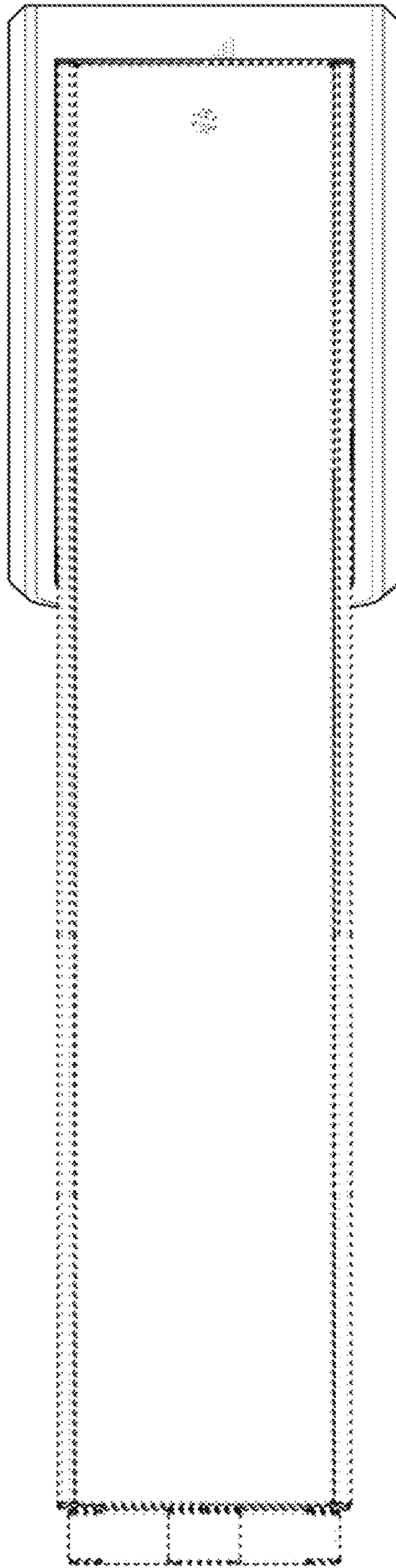


FIG. 12

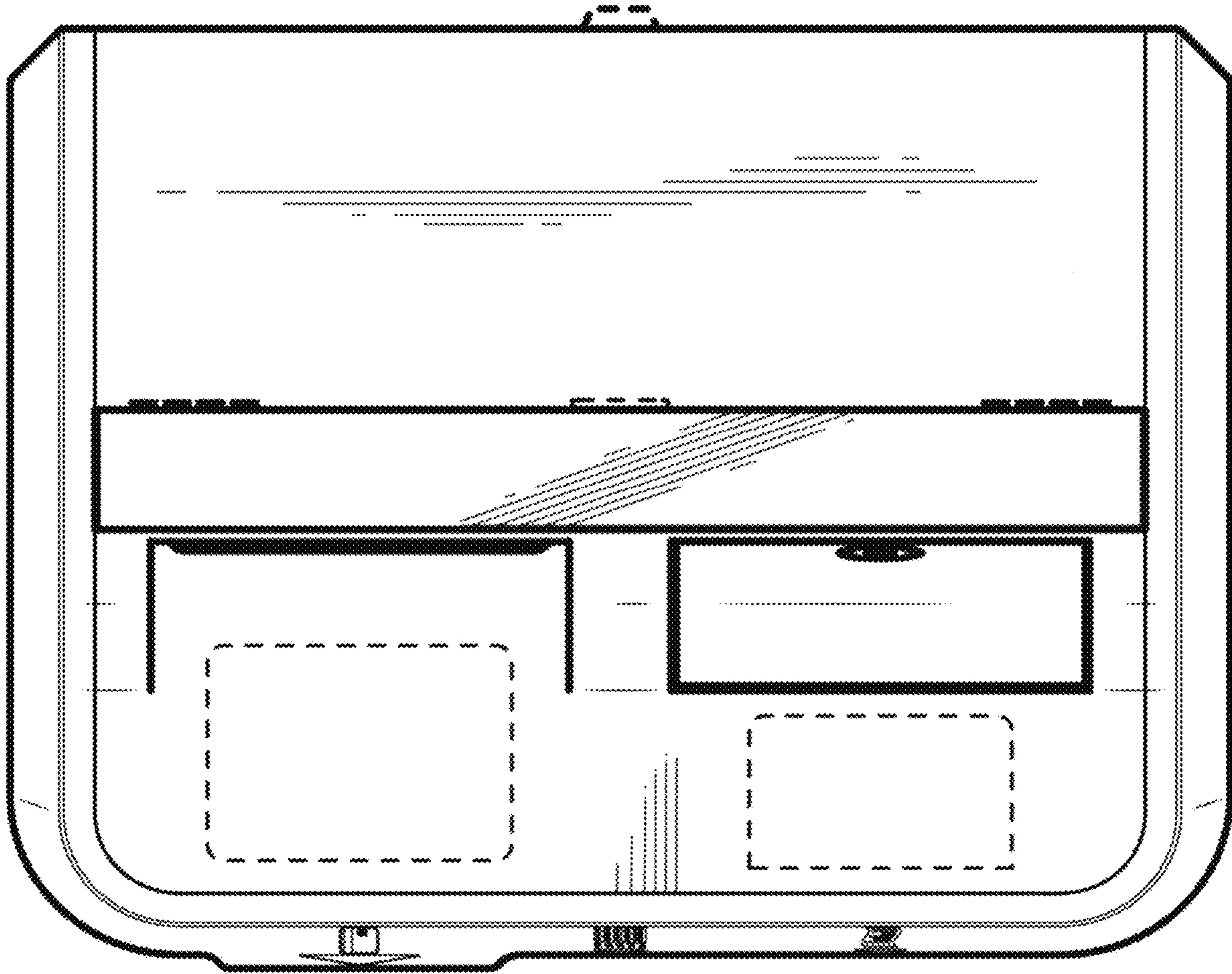


FIG. 13

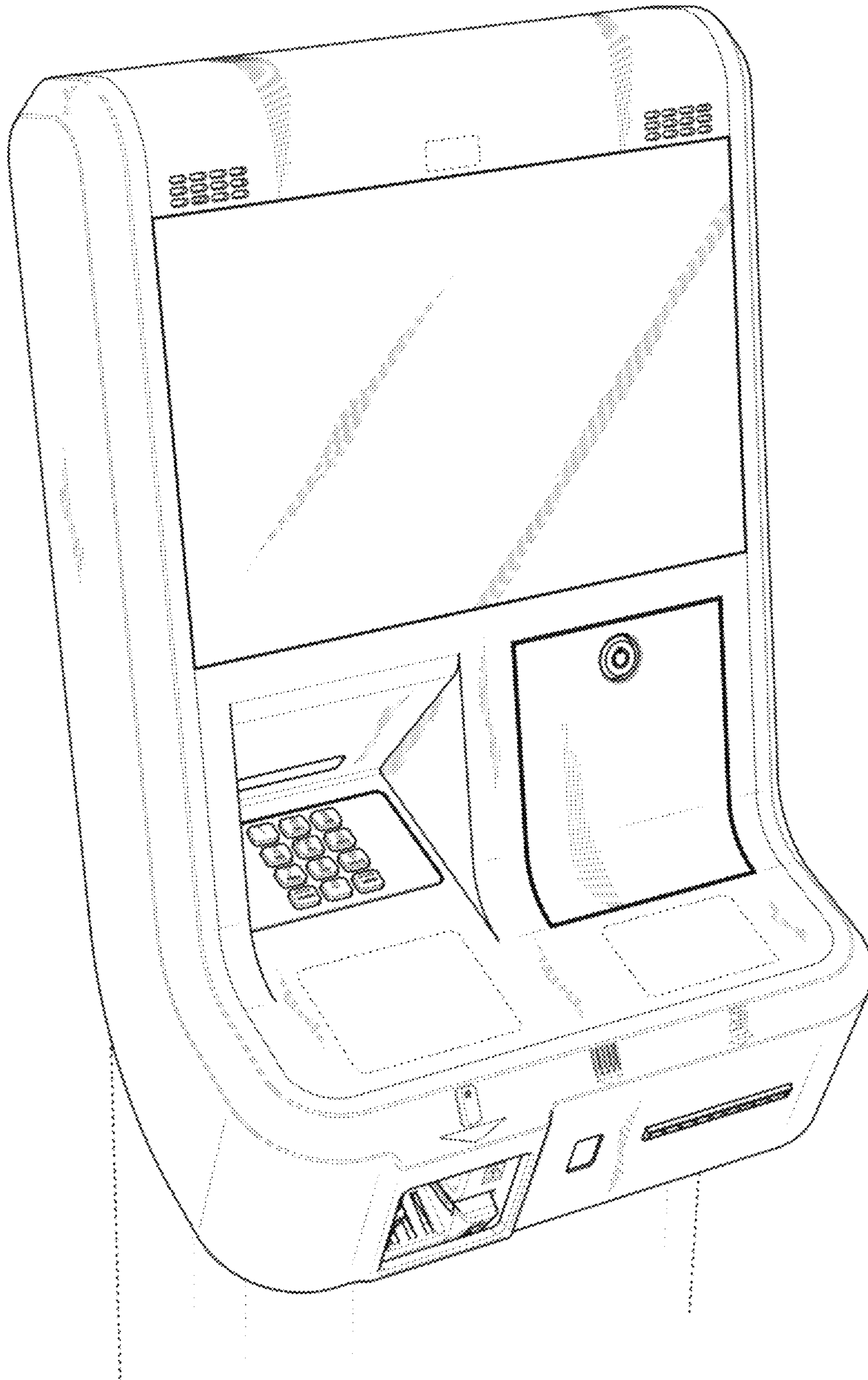


FIG. 14