



US00D926874S

(12) **United States Design Patent** (10) **Patent No.:** **US D926,874 S**  
**Renzi** (45) **Date of Patent:** **\*\* Aug. 3, 2021**

- (54) **REPLACEMENT HEEL PEDESTAL**
- (71) Applicant: **John Renzi**, Riverside, CA (US)
- (72) Inventor: **John Renzi**, Riverside, CA (US)
- (\*\*) Term: **15 Years**
- (21) Appl. No.: **29/675,212**
- (22) Filed: **Dec. 28, 2018**

6,211,449 B1 \* 4/2001 Lai ..... G10D 13/11  
84/422.1  
D461,295 S \* 8/2002 Pollastrelli ..... D2/951  
D517,499 S \* 3/2006 Pollard ..... D13/167  
D552,306 S \* 10/2007 Shin ..... D30/146  
(Continued)

**FOREIGN PATENT DOCUMENTS**

WO WO-2017127458 A1 \* 7/2017 ..... G10D 13/11

**OTHER PUBLICATIONS**

Kickstarter, Renzi—Advanced Heel Pedestal System, updated Oct. 26, 2017, [online], [visited Apr. 8, 2021]. Internet, <URL: <https://www.kickstarter.com/projects/1906370412/renzi-advanced-heel-pedestal-system-ahps/posts>> (Year: 2017).\*

(Continued)

*Primary Examiner* — Sheryl Lane  
*Assistant Examiner* — Samantha N Wood  
(74) *Attorney, Agent, or Firm* — Kevin Schraven; Anooj Patel; Hankin Patent Law, APC

(57) **CLAIM**

The ornamental design for a replacement heel pedestal, as shown and described.

**DESCRIPTION**

FIG. 1 is a top perspective view of the replacement heel pedestal showing my new design.  
FIG. 2 is a bottom perspective view thereof.  
FIG. 3 is a top plan view thereof.  
FIG. 4 is a bottom plan view thereof  
FIG. 5 is a left side elevational view thereof.  
FIG. 6 is a right side elevational view thereof.  
FIG. 7 is a rear elevational view thereof; and,  
FIG. 8 is a front elevational view thereof.  
The broken lines showing grip pattern are for the purpose of illustrating environmental structure and unclaimed subject matter and form no part of the claimed design.

**1 Claim, 8 Drawing Sheets**

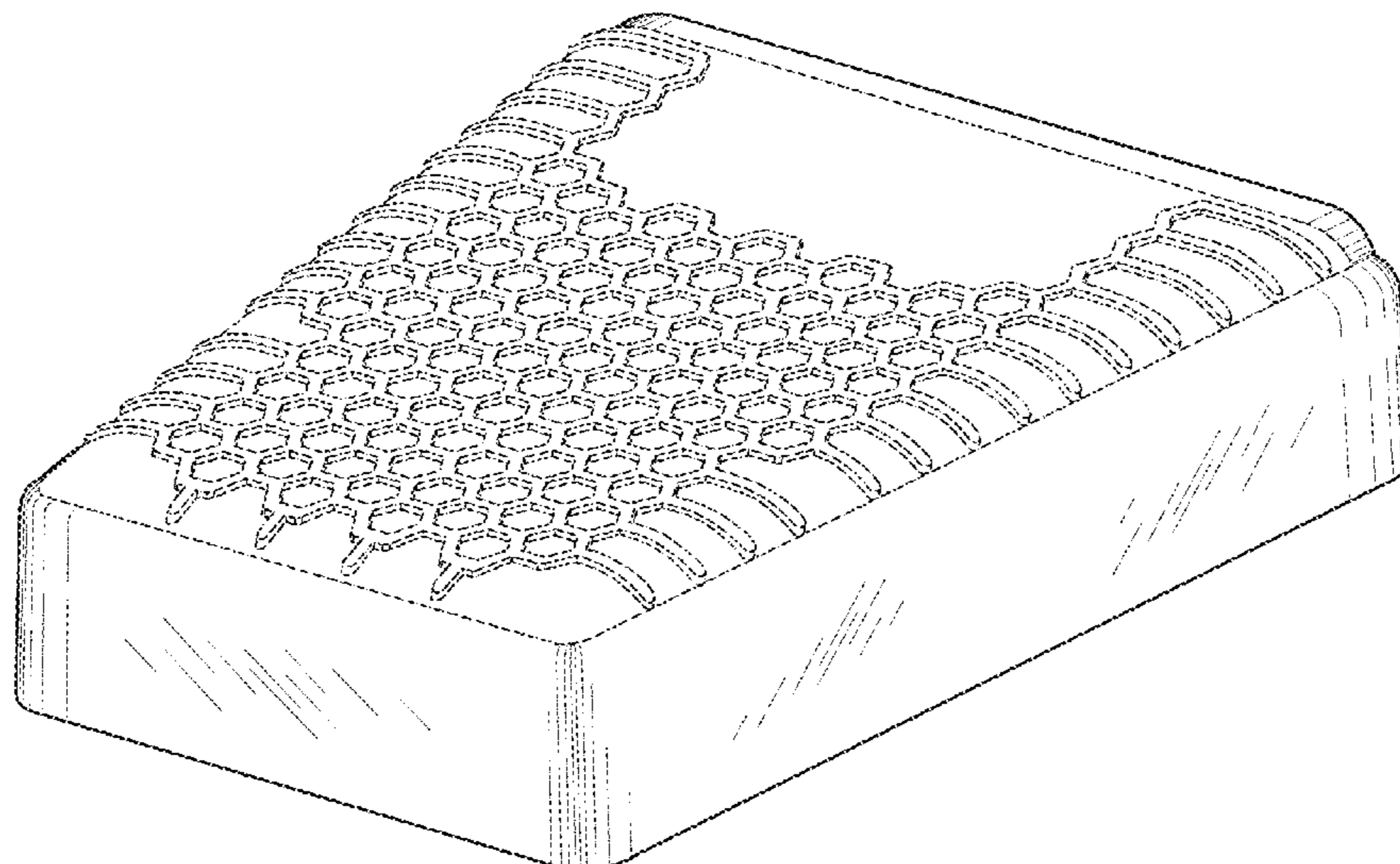
**Related U.S. Application Data**

- (60) Division of application No. 29/589,421, filed on Dec. 30, 2016, now Pat. No. Des. 842,373, which is a continuation-in-part of application No. 14/822,531, filed on Aug. 10, 2015, now abandoned.
- (51) **LOC (13) Cl.** ..... **17-99**
- (52) **U.S. Cl.**  
USPC ..... **D17/99**
- (58) **Field of Classification Search**  
USPC ..... D17/4, 9, 13, 20, 21, 22, 23, 24, 99;  
D30/146, 149; D13/158, 167, 173, 199;  
D2/946, 947, 951, 964, 965, 968;  
D21/405, 409, 411, 513, 483, 516;  
D8/402  
CPC ..... G10D 13/00; G10D 13/01; G10D 13/02;  
G10D 13/03; G10D 13/06; G10D 13/065;  
G10D 13/063; G10D 13/10; G10D 13/11;  
G10D 13/24  
See application file for complete search history.

(56) **References Cited**

**U.S. PATENT DOCUMENTS**

D32,584 S \* 4/1900 Killion ..... D30/149  
2,489,018 A \* 11/1949 Dodge ..... A43B 3/16  
36/1  
D182,879 S \* 5/1958 De Jur ..... D13/167  
D242,383 S \* 11/1976 Clark, Jr. .... D17/22  
D264,147 S \* 5/1982 Heath ..... D32/54  
D378,548 S \* 3/1997 Harman, II ..... D2/925



(56)

**References Cited**

U.S. PATENT DOCUMENTS

D765,957	S *	9/2016	Dupuy	.....	D2/946
D794,929	S *	8/2017	Petrie	.....	D2/957
D813,512	S *	3/2018	Badrian	.....	D2/968
2003/0154846	A1 *	8/2003	Adams	.....	G10D 13/11 84/422.1
2005/0016320	A1 *	1/2005	Porter	.....	B60T 7/06 74/512
2008/0173159	A1 *	7/2008	Chen	.....	G10D 13/11 84/422.1
2014/0182445	A1 *	7/2014	Liao	.....	G10D 13/11 84/422.1
2017/0221460	A1 *	8/2017	Reens	.....	G10D 13/11
2019/0221195	A1 *	7/2019	Renzi	.....	G10D 13/11

OTHER PUBLICATIONS

Youtube, DW 9000 Double Bass Pedal Overview, posted Mar. 25, 2010, [online], [visited Apr. 9, 2021]. Internet, <URL: <https://www.youtube.com/watch?v=3NGiqkrEHc0>> (Year: 2010).\*

Amazon, Essentials Single Bass Drum Pedal, posted Feb. 3, 2015, [online], [visited Apr. 2, 2020]. Internet, <URL: [https://www.amazon.co.uk/Essentials-Single-Pedal-Driven-Baseplate/dp/B003SQBMVE/ref=olp\\_product\\_details?ie=UTF8&me=>](https://www.amazon.co.uk/Essentials-Single-Pedal-Driven-Baseplate/dp/B003SQBMVE/ref=olp_product_details?ie=UTF8&me=>)> (Year: 2015).\*

Amazon, XDrum Pro Single Bass Drum Pedal, posted Sep. 9, 2010, [online], [visited Apr. 9, 2021]. Internet, <URL: [https://www.amazon.co.uk/XDrum-Single-Bass-Drum-Pedal/dp/B000UX0UA2/ref=psdc\\_5496214031\\_t1\\_B002KDQACW](https://www.amazon.co.uk/XDrum-Single-Bass-Drum-Pedal/dp/B000UX0UA2/ref=psdc_5496214031_t1_B002KDQACW)> (Year: 2010).\*

\* cited by examiner

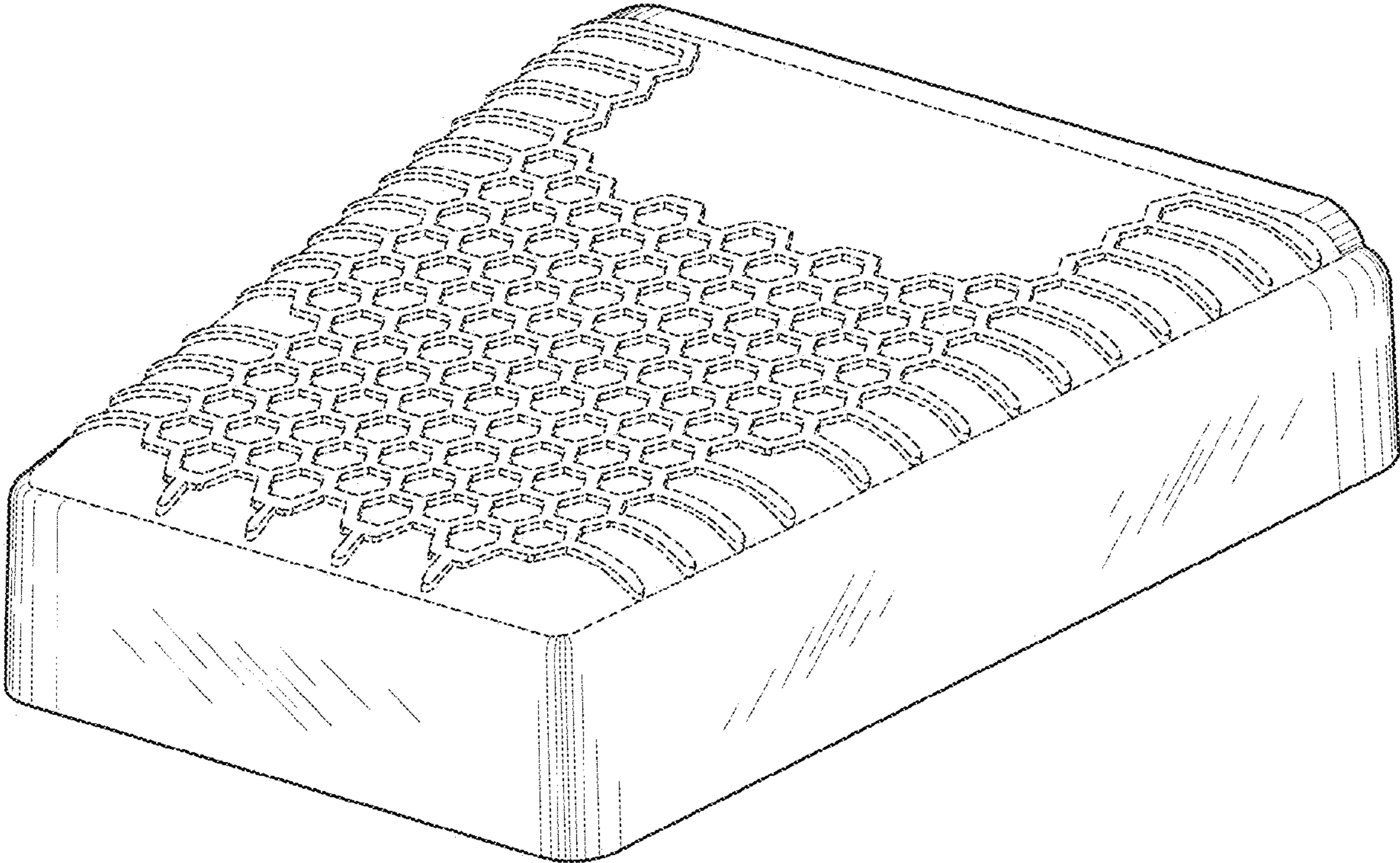


Fig. 1



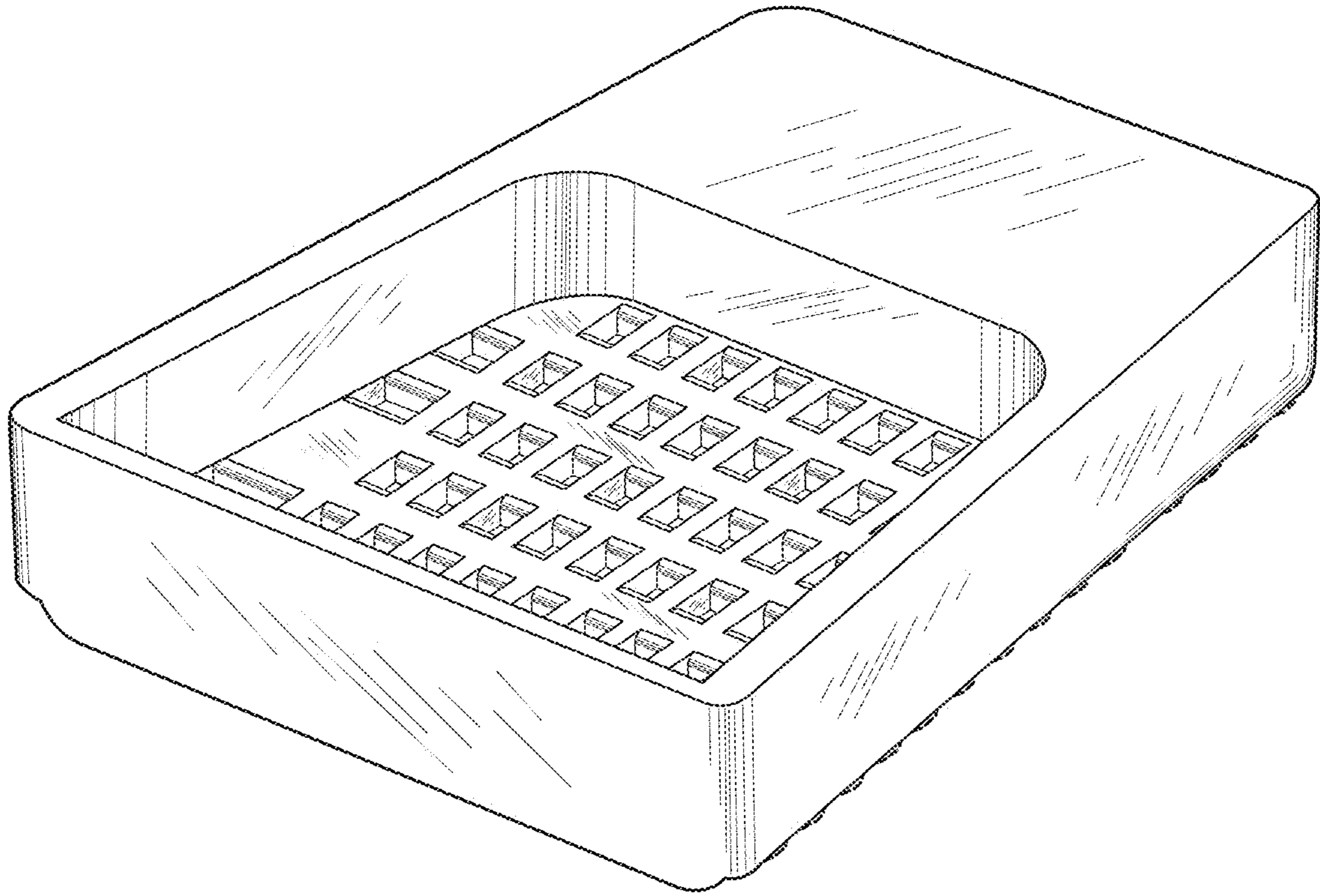


Fig.2

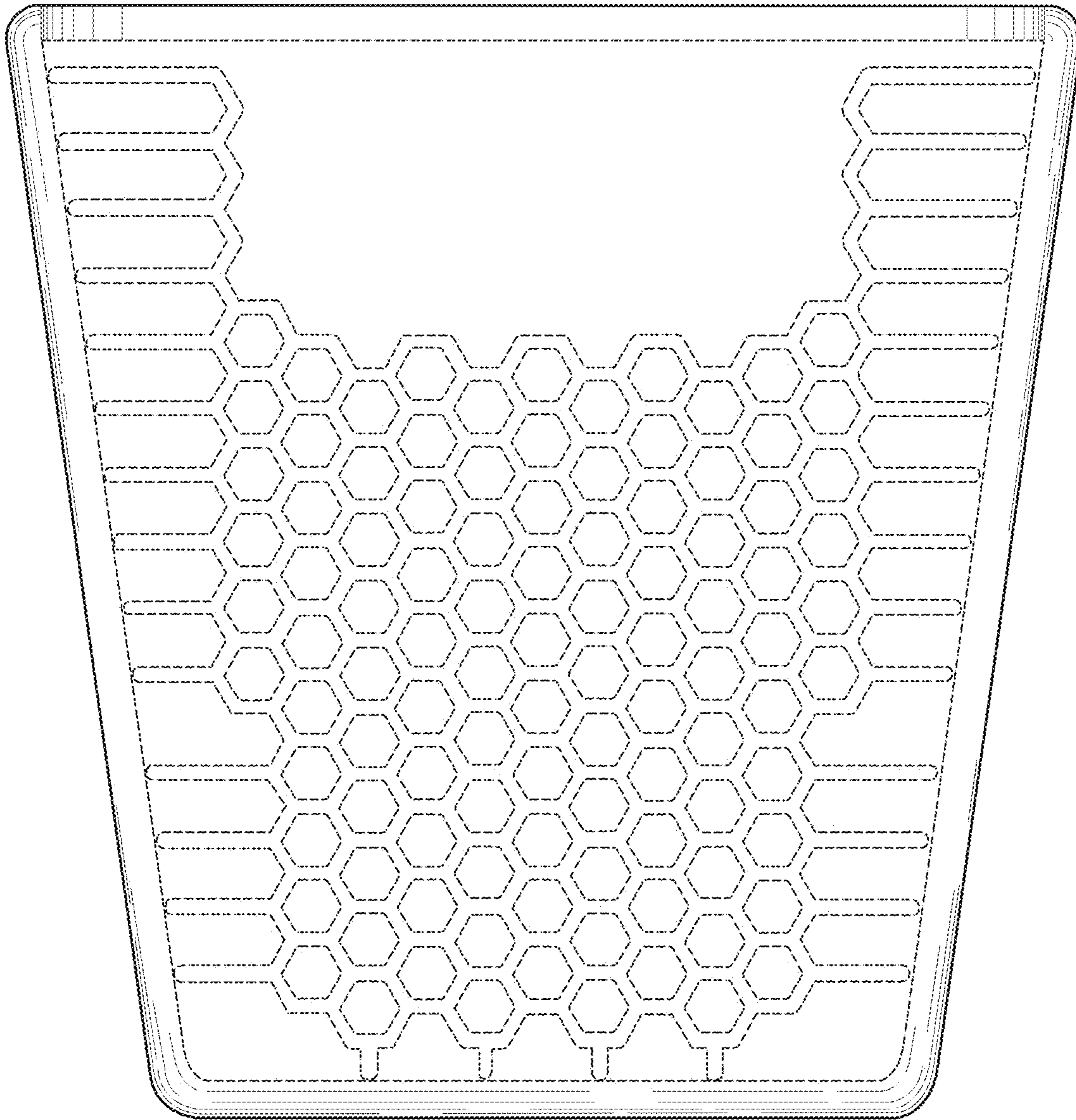


Fig.3

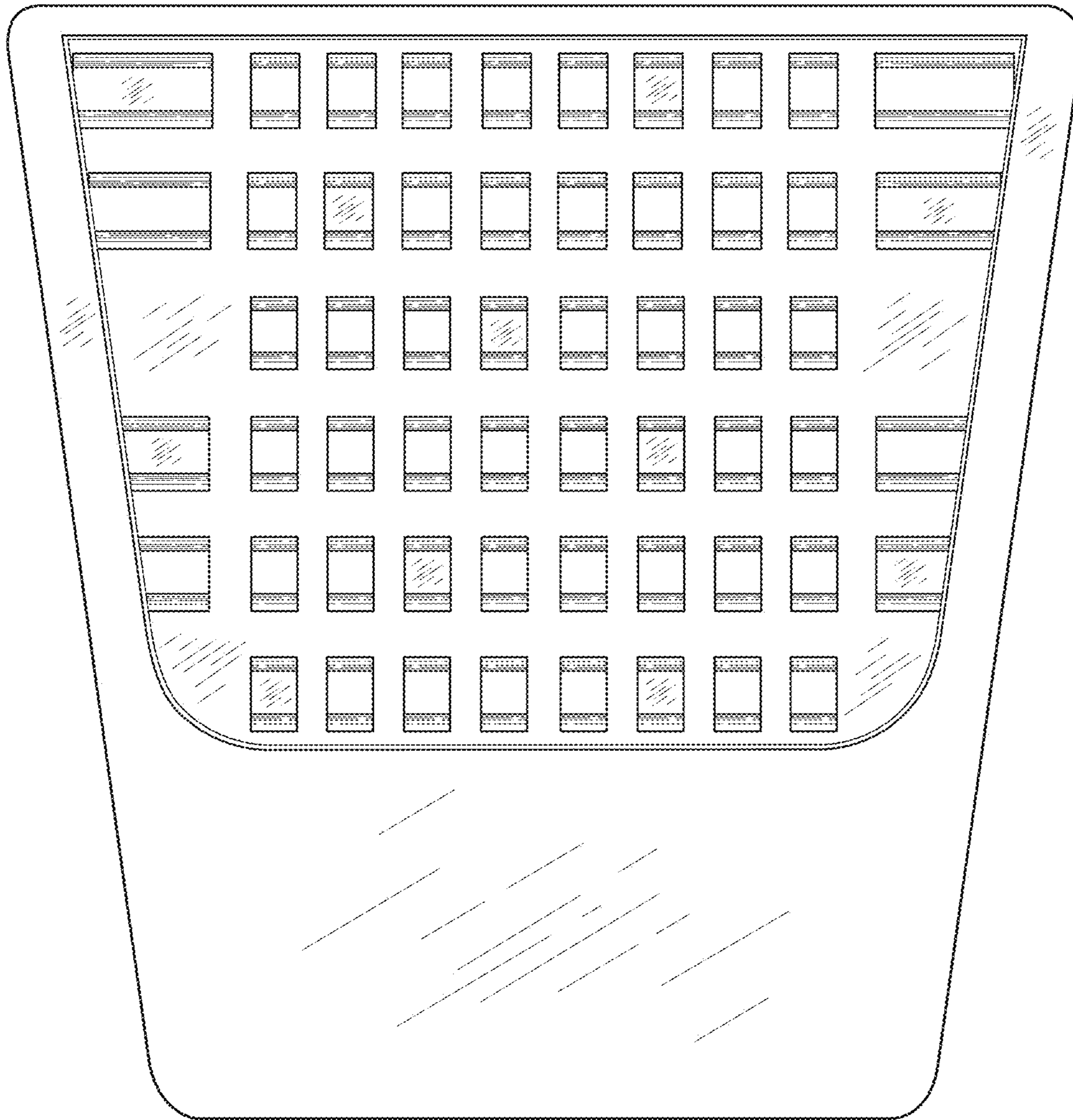


Fig.4

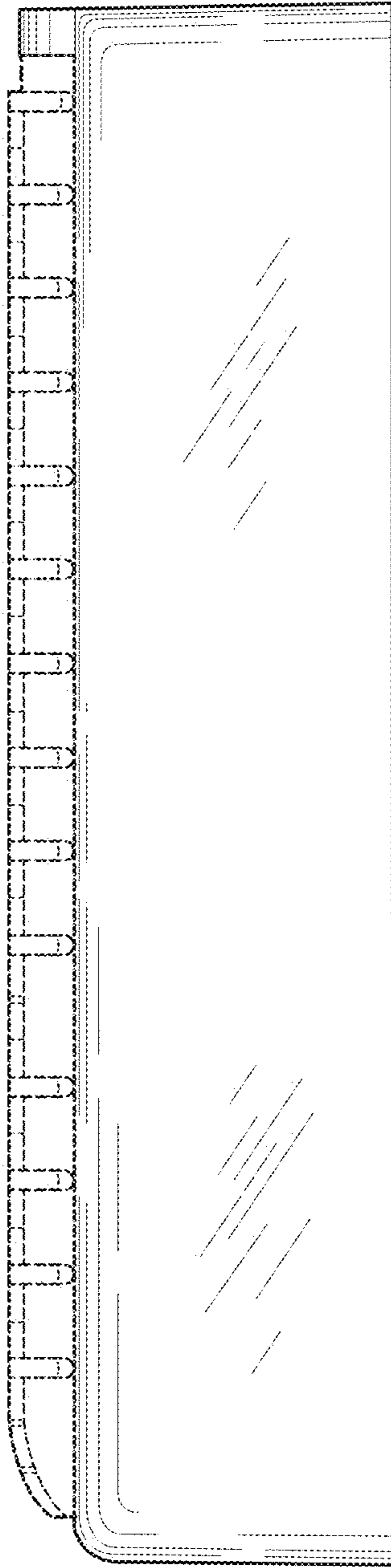


Fig.5

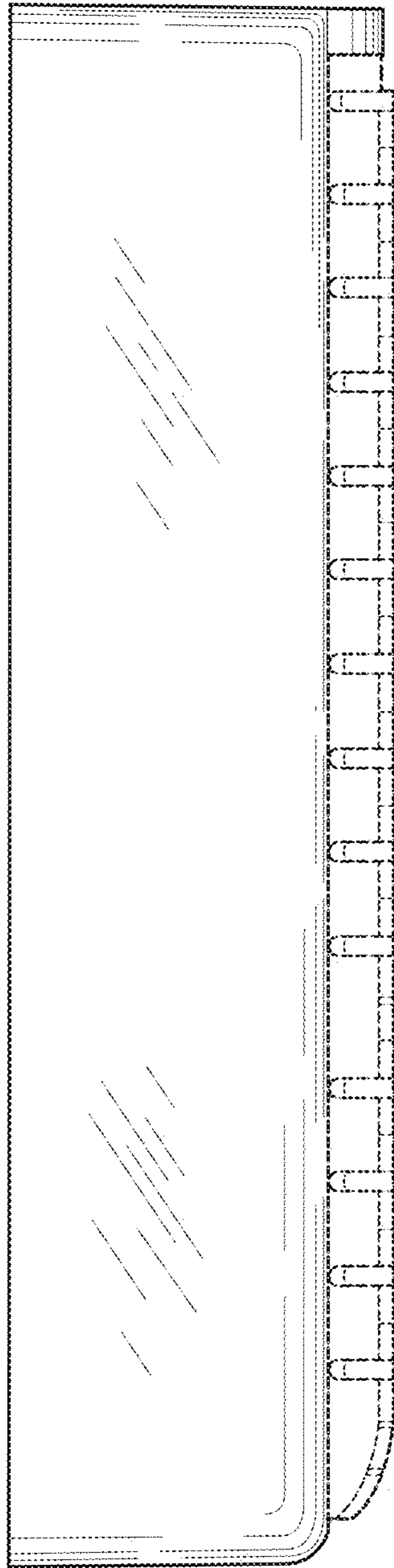


Fig.6



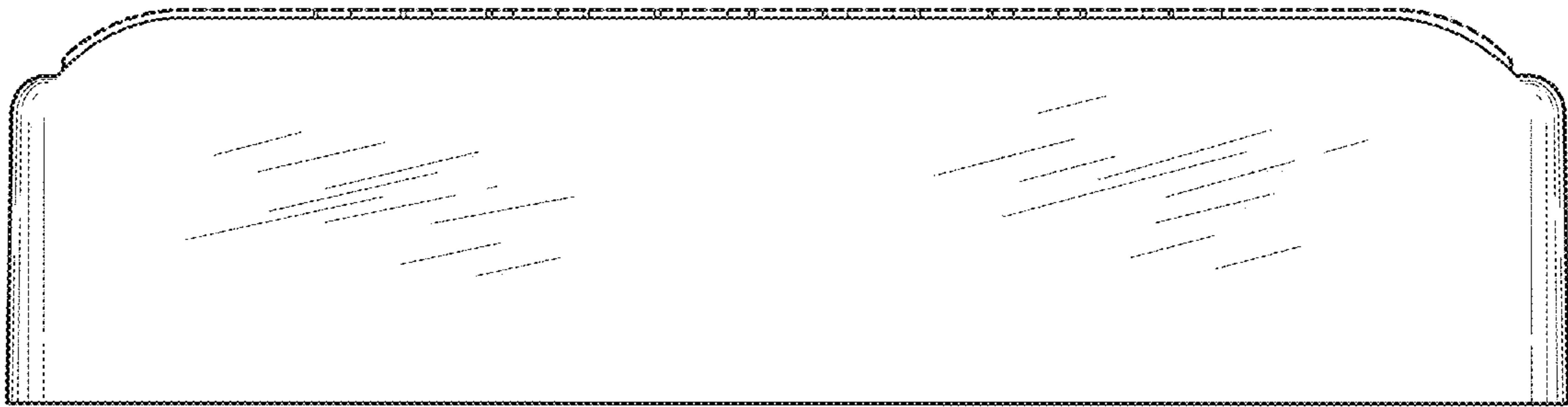


Fig. 7

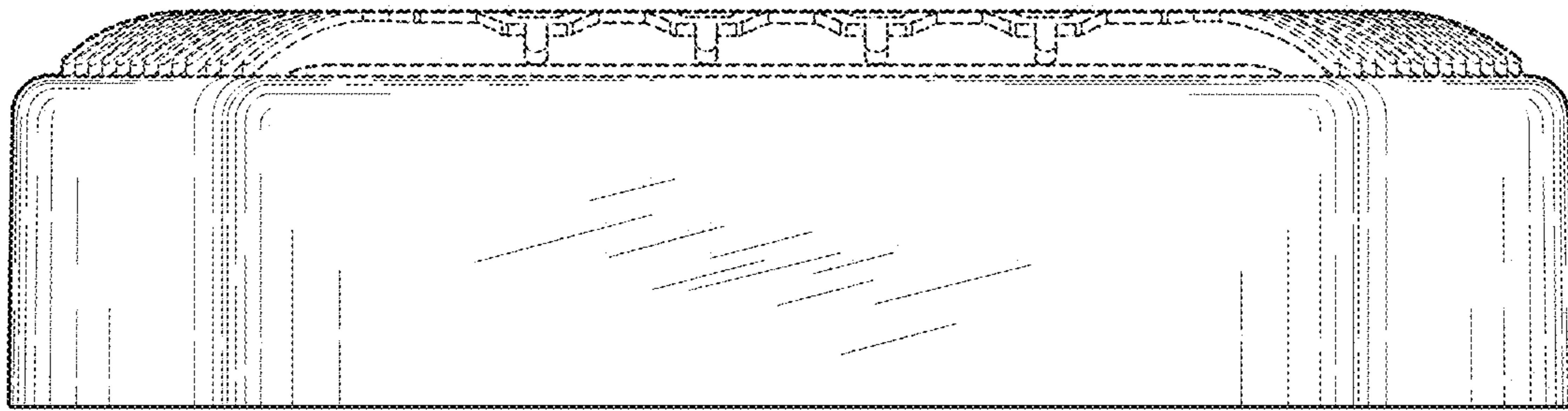


Fig.8