



US00D926873S

(12) **United States Design Patent** (10) **Patent No.:** **US D926,873 S**
Renzi (45) **Date of Patent:** **** Aug. 3, 2021**

- (54) **REPLACEMENT HEEL PEDESTAL**
- (71) Applicant: **John Renzi**, Riverside, CA (US)
- (72) Inventor: **John Renzi**, Riverside, CA (US)
- (**) Term: **15 Years**
- (21) Appl. No.: **29/724,494**
- (22) Filed: **Feb. 14, 2020**

- D167,092 S * 6/1952 Moore D30/146
- D182,879 S * 5/1958 De Jur D13/167
- D242,383 S * 11/1976 Clark, Jr. D17/22
- D264,147 S * 5/1982 Heath D32/54
- 6,211,449 B1 * 4/2001 Lai G10D 13/11
84/422.1
- D517,499 S * 3/2006 Pollard D13/167
- D552,306 S * 10/2007 Shin D30/146

(Continued)

FOREIGN PATENT DOCUMENTS

- WO WO-2017127458 A1 * 7/2017 G10D 13/11

Related U.S. Application Data

- (60) Continuation-in-part of application No. 16/351,163, filed on Mar. 12, 2019, now Pat. No. 10,607,582, and a continuation-in-part of application No. 29/675,204, filed on Dec. 28, 2018, and a continuation-in-part of application No. 15/742,642, filed on Jan. 8, 2018, now abandoned, and a division of application No. 29/589,421, filed on Dec. 30, 2016, now Pat. No. Des. 842,373, which is a continuation-in-part of application No. 14/822,531, filed on Aug. 10, 2015, now abandoned.

(51) **LOC (13) Cl.** **17-04**

(52) **U.S. Cl.**
USPC **D17/22; D17/99**

(58) **Field of Classification Search**
USPC D17/4, 9, 13, 20–24, 99; D30/146, 149; D13/158, 167, 173, 199; D2/946–947, D2/951, 960, 964–965, 968; D21/405, D21/409–411, 483, 513, 516; D8/402
CPC G10D 13/00; G10D 13/01; G10D 13/02; G10D 13/03; G10D 13/06; G10D 13/065; G10D 13/063; G10D 13/10; G10D 13/11; G10D 13/24

See application file for complete search history.

(56) **References Cited**

U.S. PATENT DOCUMENTS

- D32,346 S * 3/1900 Kronenberg D30/149
- D32,584 S * 4/1900 Killion D30/149

OTHER PUBLICATIONS

Kickstarter, Renzi—Advanced Heel Pedestal System, updated Oct. 26, 2017, [online], [visited Apr. 8, 2021]. Internet, <URL: <https://www.kickstarter.com/projects/1906370412/renzi-advanced-heel-pedestal-system-ahps/posts>> (Year: 2017).*

(Continued)

Primary Examiner — Sheryl Lane
Assistant Examiner — Samantha N Wood
(74) *Attorney, Agent, or Firm* — Kevin Schraven; Anooj Patel; Hankin Patent Law, APC

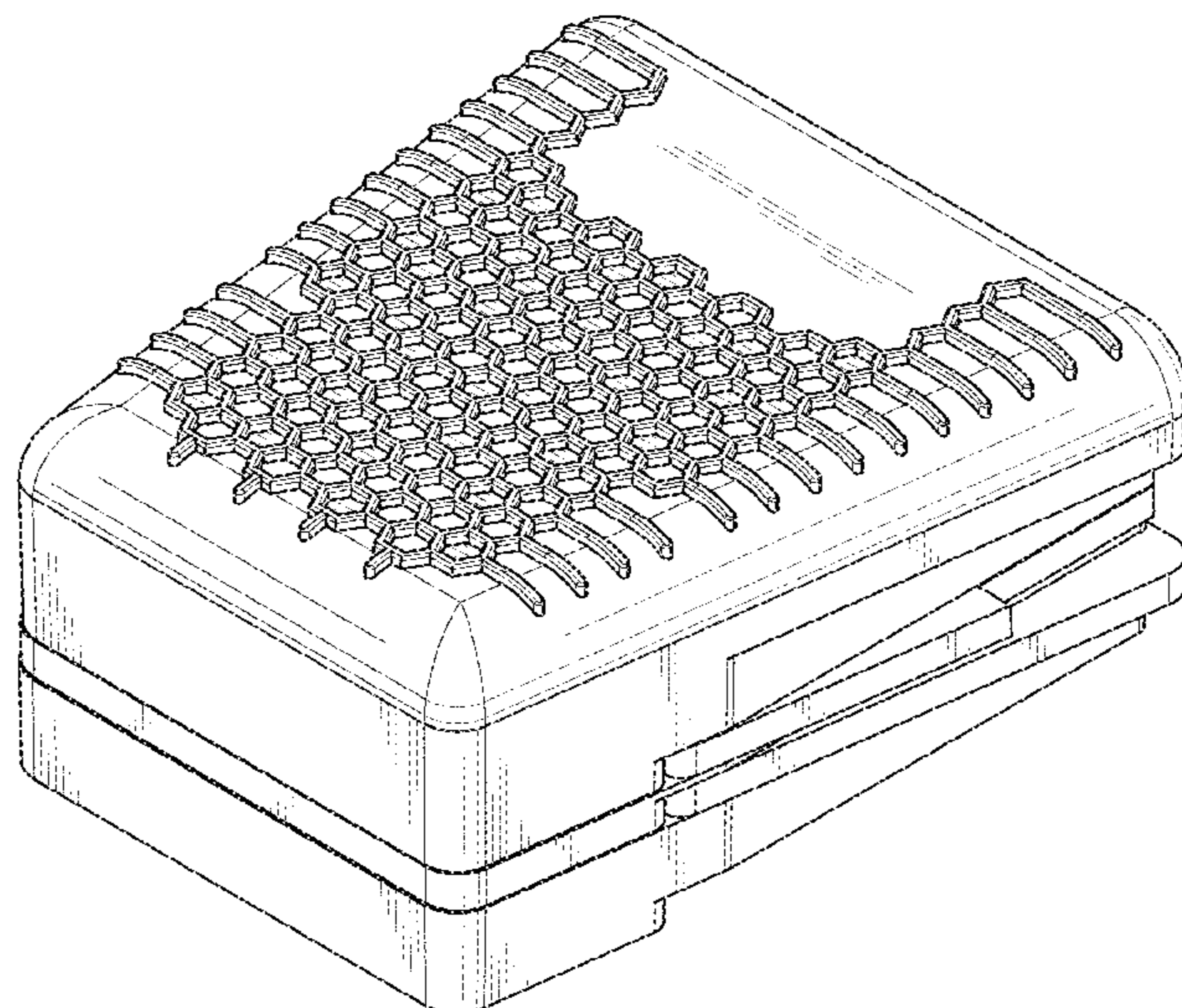
(57) **CLAIM**

The ornamental design for a replacement heel pedestal, as shown and described.

DESCRIPTION

FIG. 1 is a top perspective view of a replacement heel pedestal showing my new design.
FIG. 2 is a front side elevational view thereof.
FIG. 3 is a rear elevational view thereof.
FIG. 4 is a side elevational view thereof
FIG. 5 is a top plan view thereof; and,
FIG. 6 is a bottom plan view thereof.
The broken lines showing portions of the article form no part of the claimed design.

1 Claim, 5 Drawing Sheets



(56)

References Cited

U.S. PATENT DOCUMENTS

D756,095 S * 5/2016 Nakano D2/958
D765,957 S * 9/2016 Dupuy D2/946
D794,930 S * 8/2017 Chang D2/957
D842,373 S * 3/2019 Renzi D17/22
2003/0154846 A1 * 8/2003 Adams G10D 13/11
84/422.1
2005/0016320 A1 * 1/2005 Porter B60T 7/06
74/512
2008/0173159 A1 * 7/2008 Chen G10D 13/11
84/422.1
2014/0182445 A1 * 7/2014 Liao G10D 13/11
84/422.1
2017/0221460 A1 * 8/2017 Reens G10D 13/11
2019/0221195 A1 * 7/2019 Renzi G10D 13/11

OTHER PUBLICATIONS

Youtube, DW 9000 Double Bass Pedal Overview, posted Mar. 25, 2010, [online], [visited Apr. 9, 2021]. Internet, <URL: <https://www.youtube.com/watch?v=3NGiqkrEHc0>> (Year: 2010).*

Amazon, Essentials Single Bass Drum Pedal, posted Feb. 3, 2015, [online], [visited Apr. 2, 2020]. Internet, <URL: https://www.amazon.co.uk/Essentials-Single-Pedal-Driven-Baseplate/dp/B003SQBMVE/ref=olp_product_details?ie=UTF8&me=>> (Year: 2015).*

Amazon, XDrum Pro Single Bass Drum Pedal, posted Sep. 9, 2010, [online], [visited Apr. 9, 2021]. Internet, <URL: https://www.amazon.co.uk/XDrum-Single-Bass-Drum-Pedal/dp/B000UX0UA2/ref=psdc_5496214031_t1_B002KDQACW> (Year: 2010).*

* cited by examiner

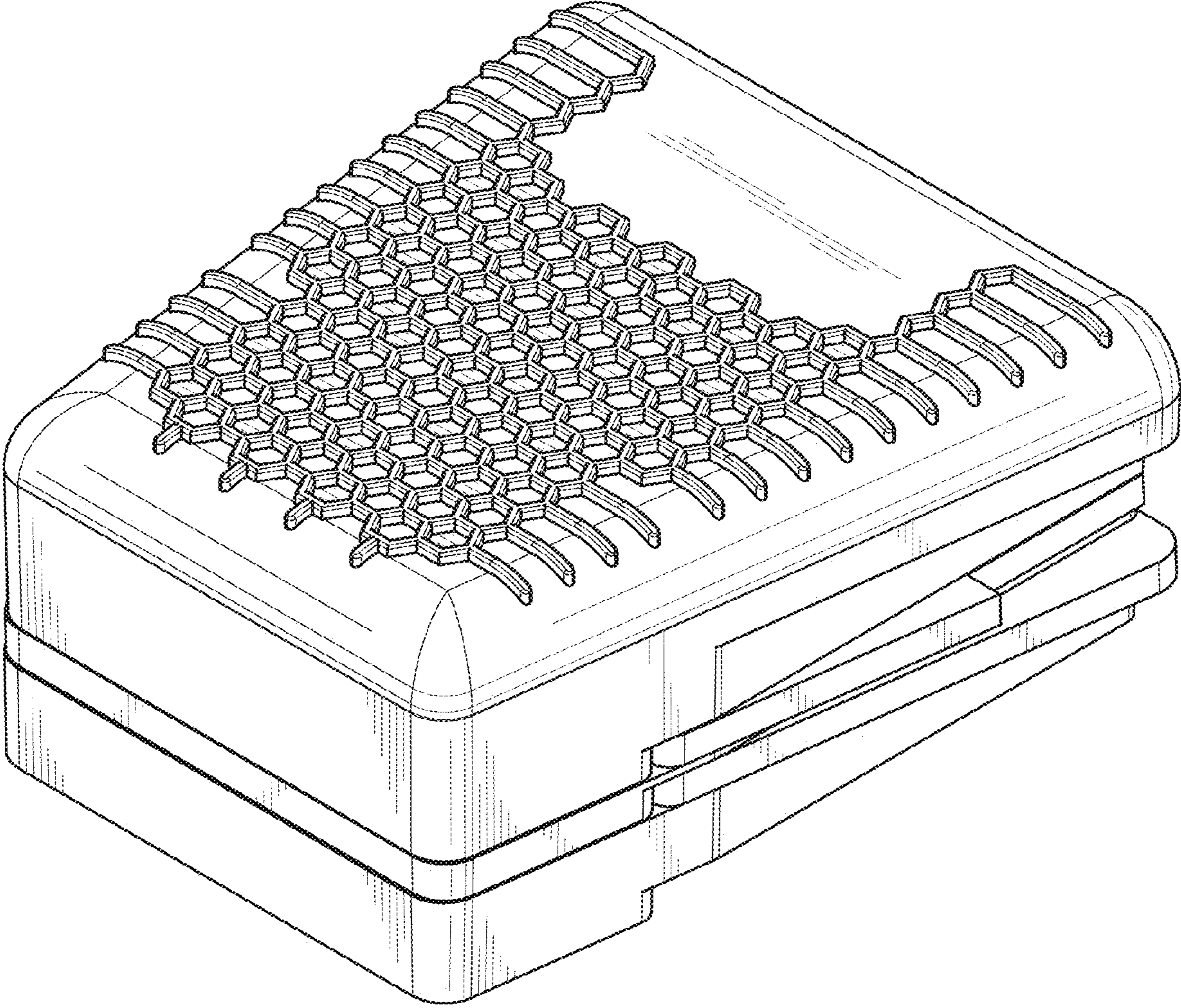


FIG. 1

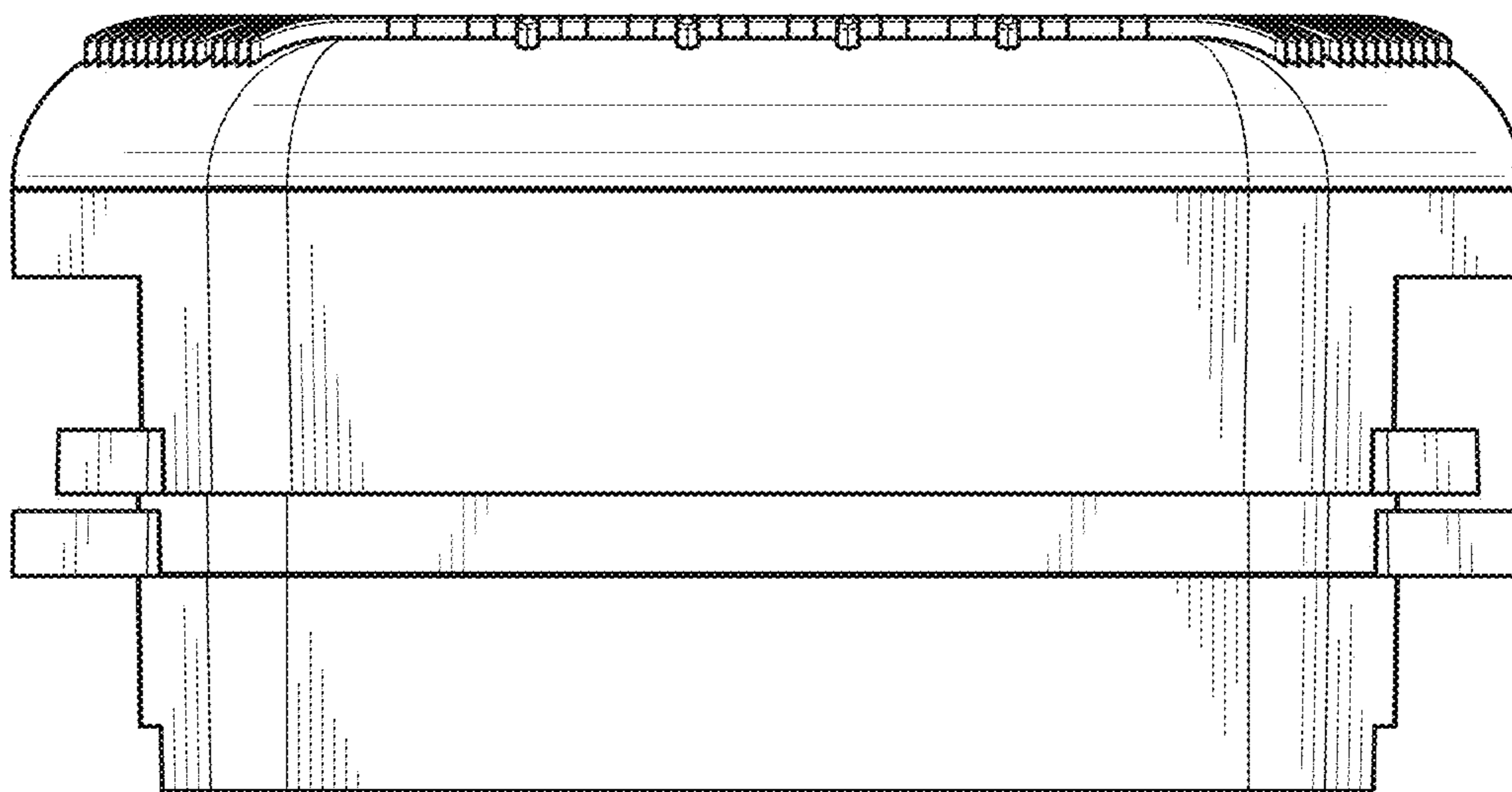


FIG. 2

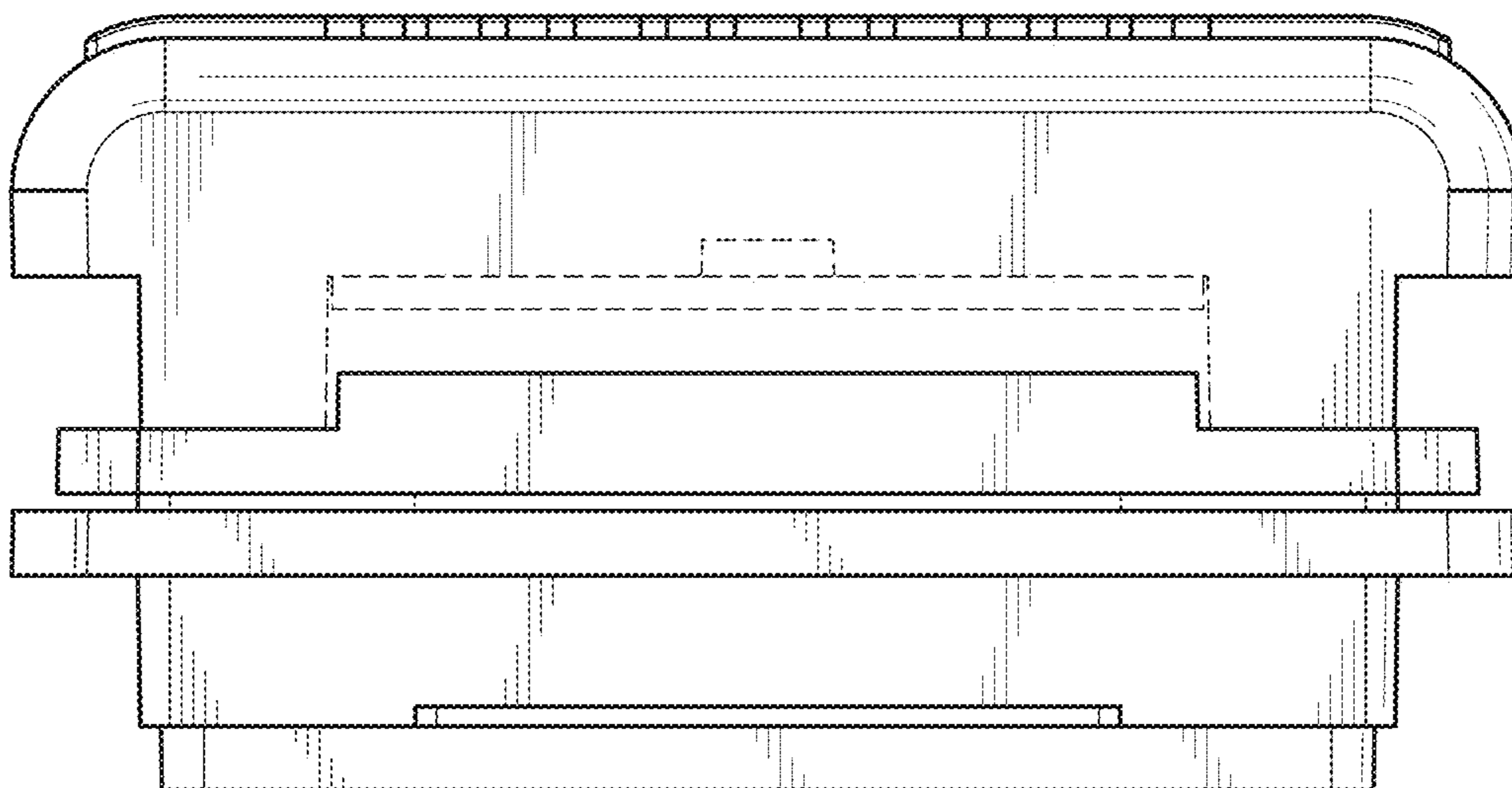


FIG. 3

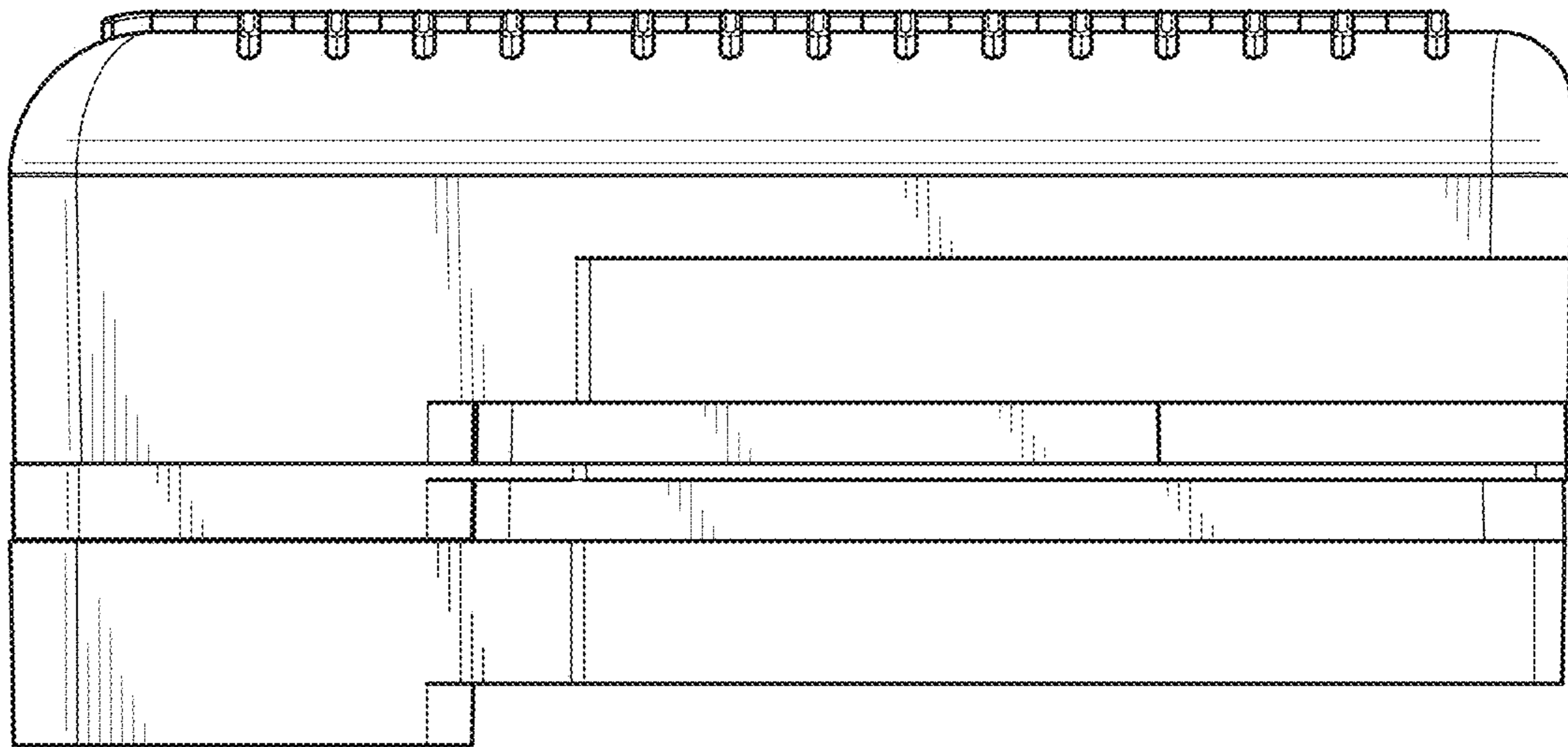


FIG. 4

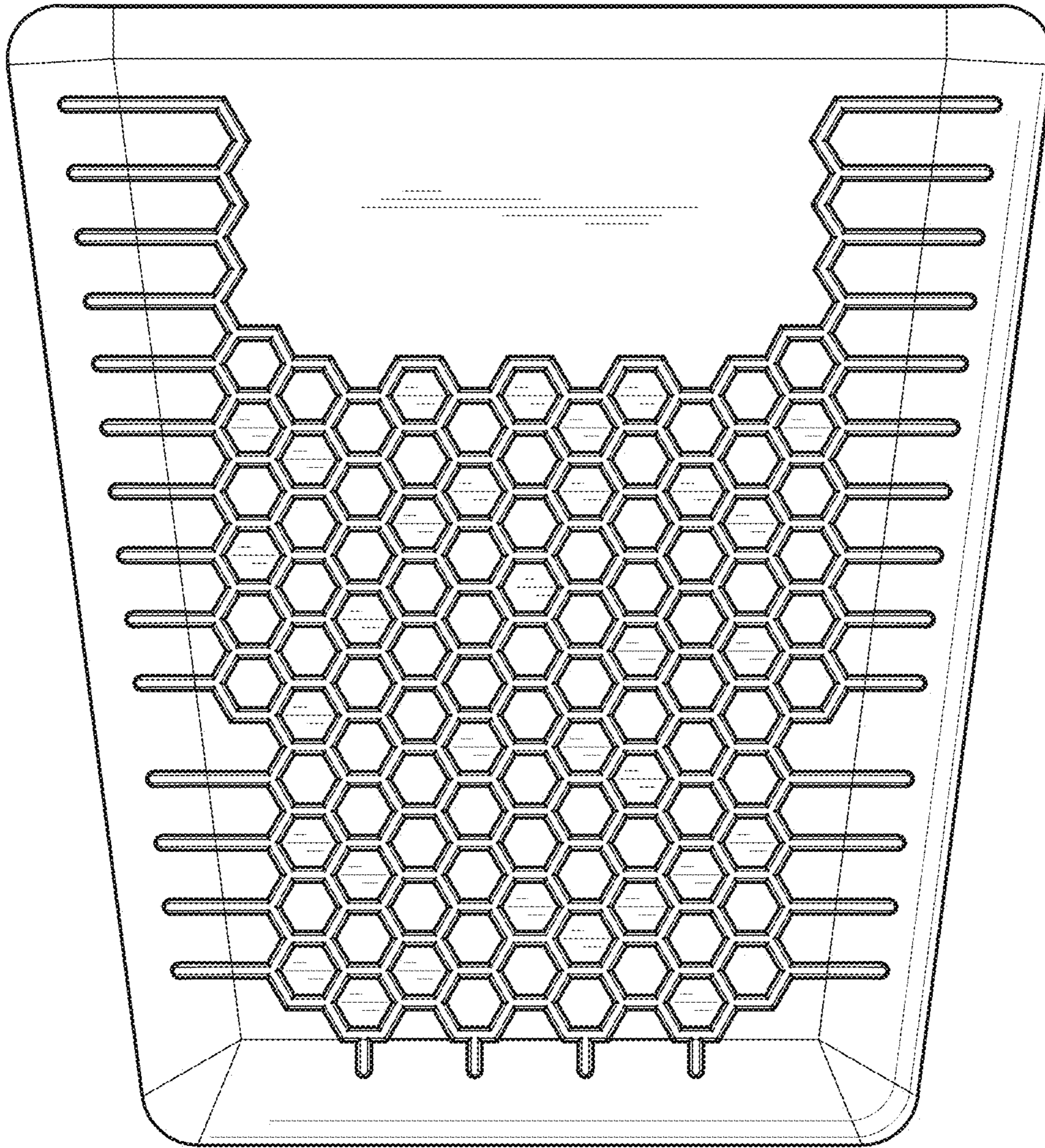


FIG. 5

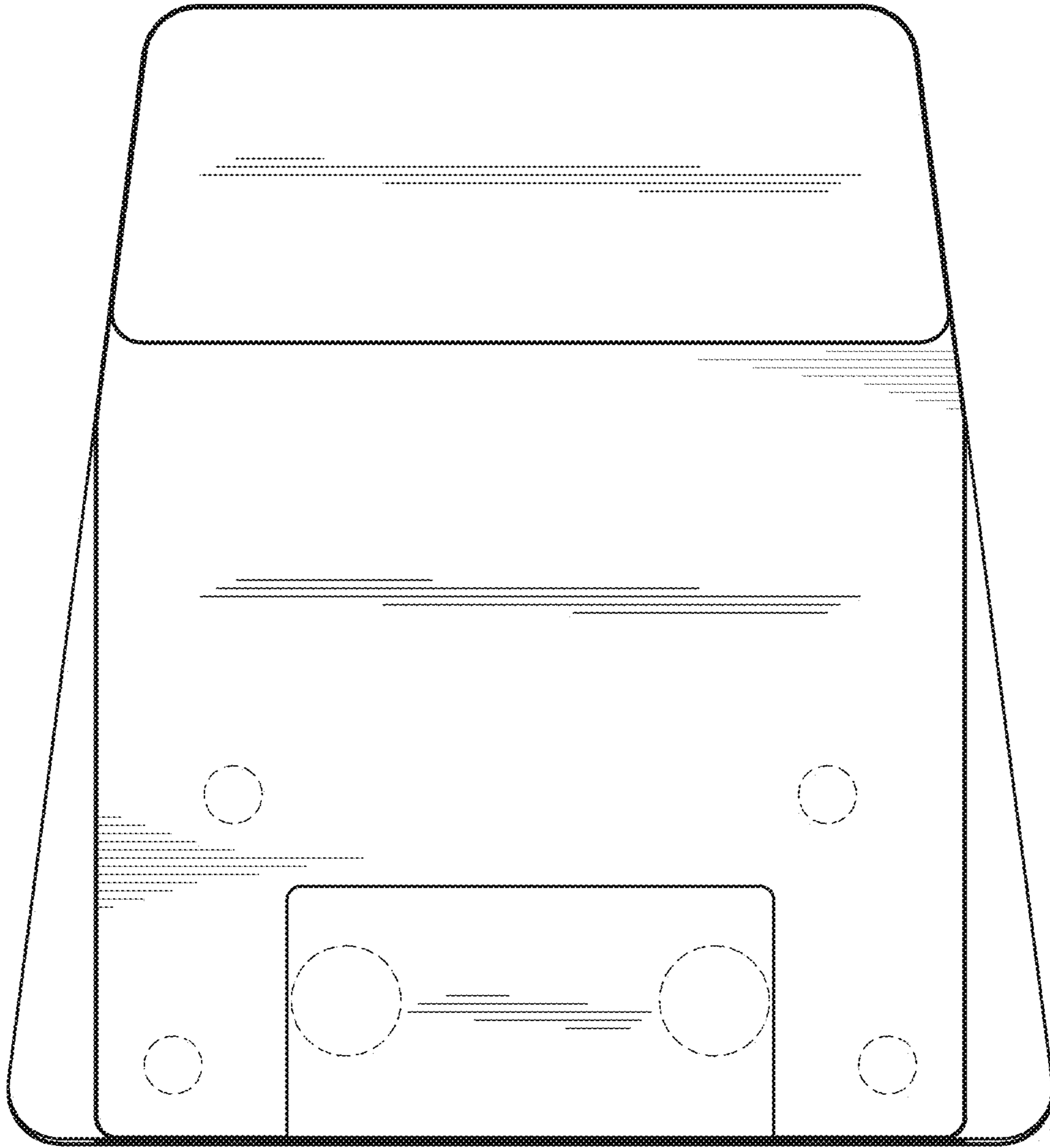


FIG. 6