



US00D926872S

(12) **United States Design Patent**
Camelo Navarro

(10) **Patent No.:** **US D926,872 S**

(45) **Date of Patent:** **** Aug. 3, 2021**

(54) **PEDALBOARD**

(71) Applicant: **John Edwin Camelo Navarro**, Bogota
(CO)

(72) Inventor: **John Edwin Camelo Navarro**, Bogota
(CO)

(**) Term: **15 Years**

(21) Appl. No.: **29/682,570**

(22) Filed: **Mar. 6, 2019**

(51) **LOC (13) Cl.** **17-03**

(52) **U.S. Cl.**
USPC **D17/20**

(58) **Field of Classification Search**
USPC D17/9, 20, 21, 24, 99; D13/162, 163,
D13/167

CPC .. G10D 13/11; G10D 99/00; G10H 2210/231;
G10H 2210/265; G10H 1/02; A47C 16/02

See application file for complete search history.

(56) **References Cited**

U.S. PATENT DOCUMENTS

3,433,881	A	3/1969	Cotten	
4,445,415	A	5/1984	Izquierdo	
4,488,468	A	12/1984	Peterson et al.	
5,166,467	A	11/1992	Brown	
5,442,986	A	8/1995	Cota	
5,452,951	A	9/1995	Peller	
5,866,829	A	2/1999	Pecoraro	
6,459,023	B1	10/2002	Chandler	
D781,954	S *	3/2017	Wilfer	D17/20

D786,961	S *	5/2017	Canivell Grifols	D17/20
D787,583	S *	5/2017	Canivell Grifols	D17/20
D787,584	S *	5/2017	Canivell Grifols	D17/20
D789,442	S *	6/2017	Canivell Grifols	D17/20
D809,484	S *	2/2018	Shi	D14/217
D819,120	S *	5/2018	Wilfer	D17/20
D819,726	S *	6/2018	Belitz	D17/20
D902,612	S *	11/2020	Hu	D6/349
2015/0325224	A1 *	11/2015	Manosa Ripoll	G10H 1/34 84/444
2017/0140744	A1 *	5/2017	Kreifeldt	G10H 1/348
2020/0388260	A1 *	12/2020	Chickneas	G10H 1/348

* cited by examiner

Primary Examiner — R. Johnson

(74) *Attorney, Agent, or Firm* — Malloy & Malloy, P.L.

(57) **CLAIM**

The ornamental design for a pedalboard, as shown and described.

DESCRIPTION

FIG. 1 is a top perspective view of a pedalboard showing my new design;

FIG. 2 is a bottom perspective view thereof;

FIG. 3 is a front elevation view thereof;

FIG. 4 is a left side view thereof;

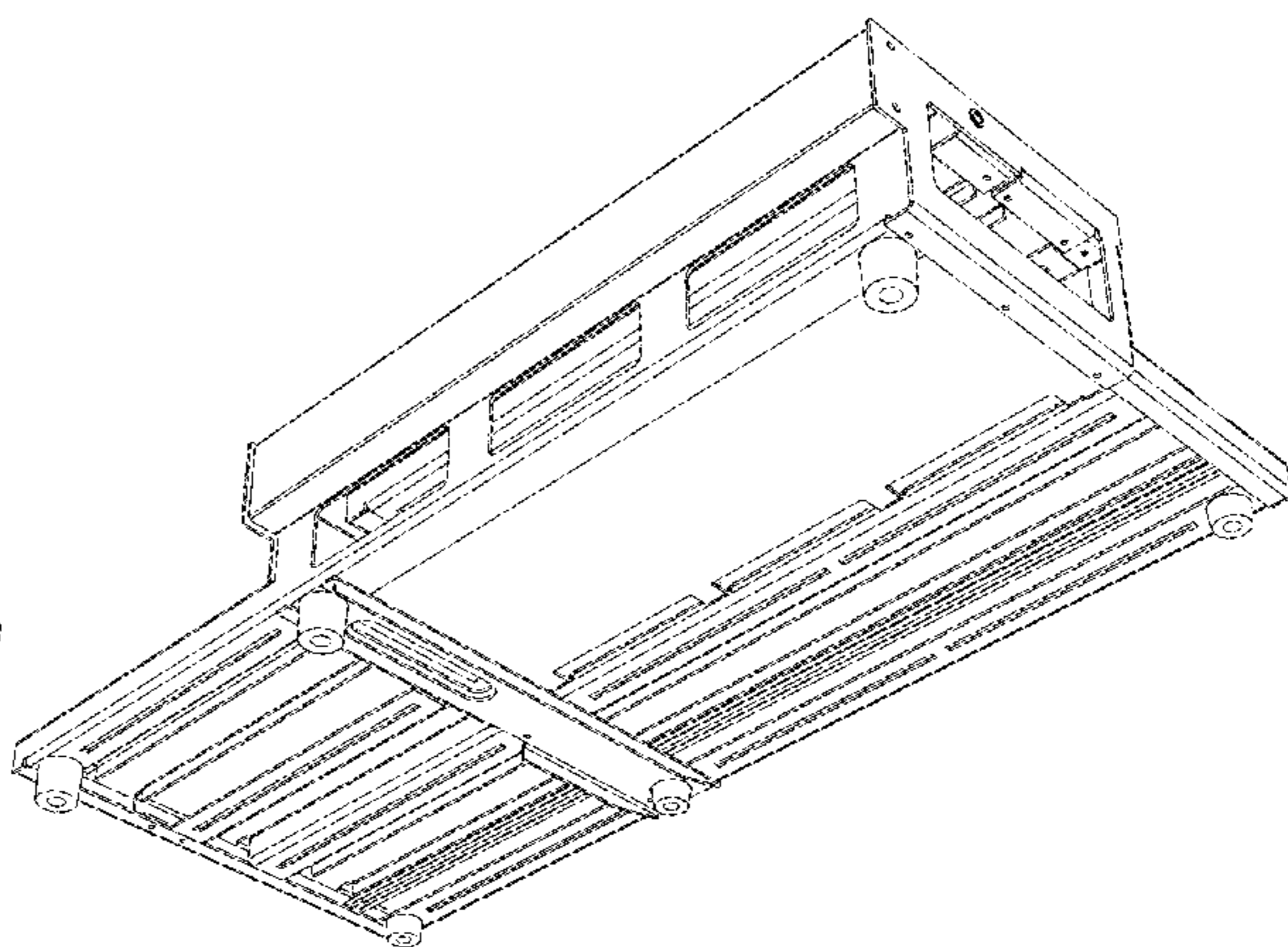
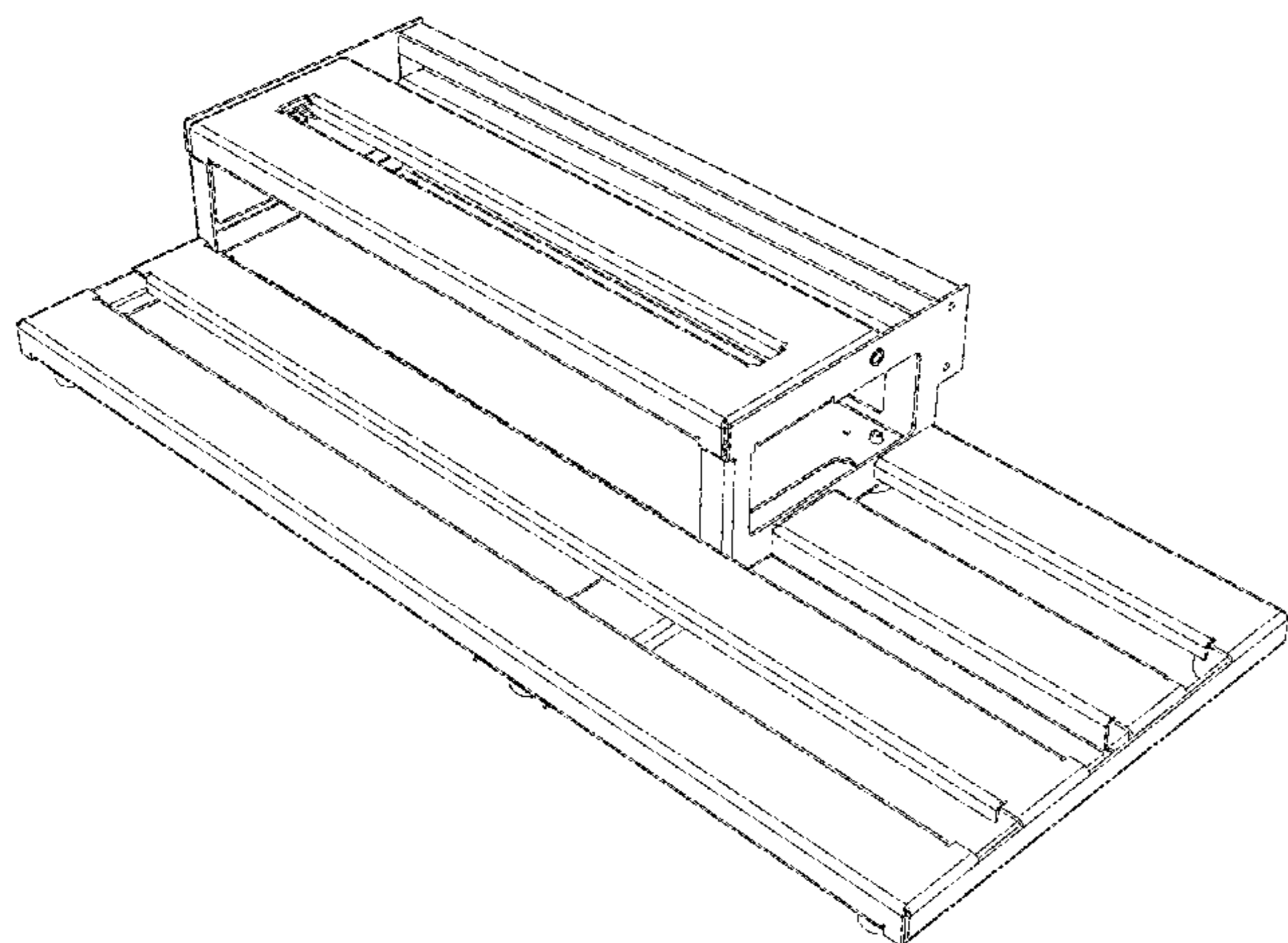
FIG. 5 is a top plan view thereof;

FIG. 6 is a right side view thereof;

FIG. 7 is a bottom plan view thereof; and,

FIG. 8 is a rear elevation view thereof.

1 Claim, 8 Drawing Sheets



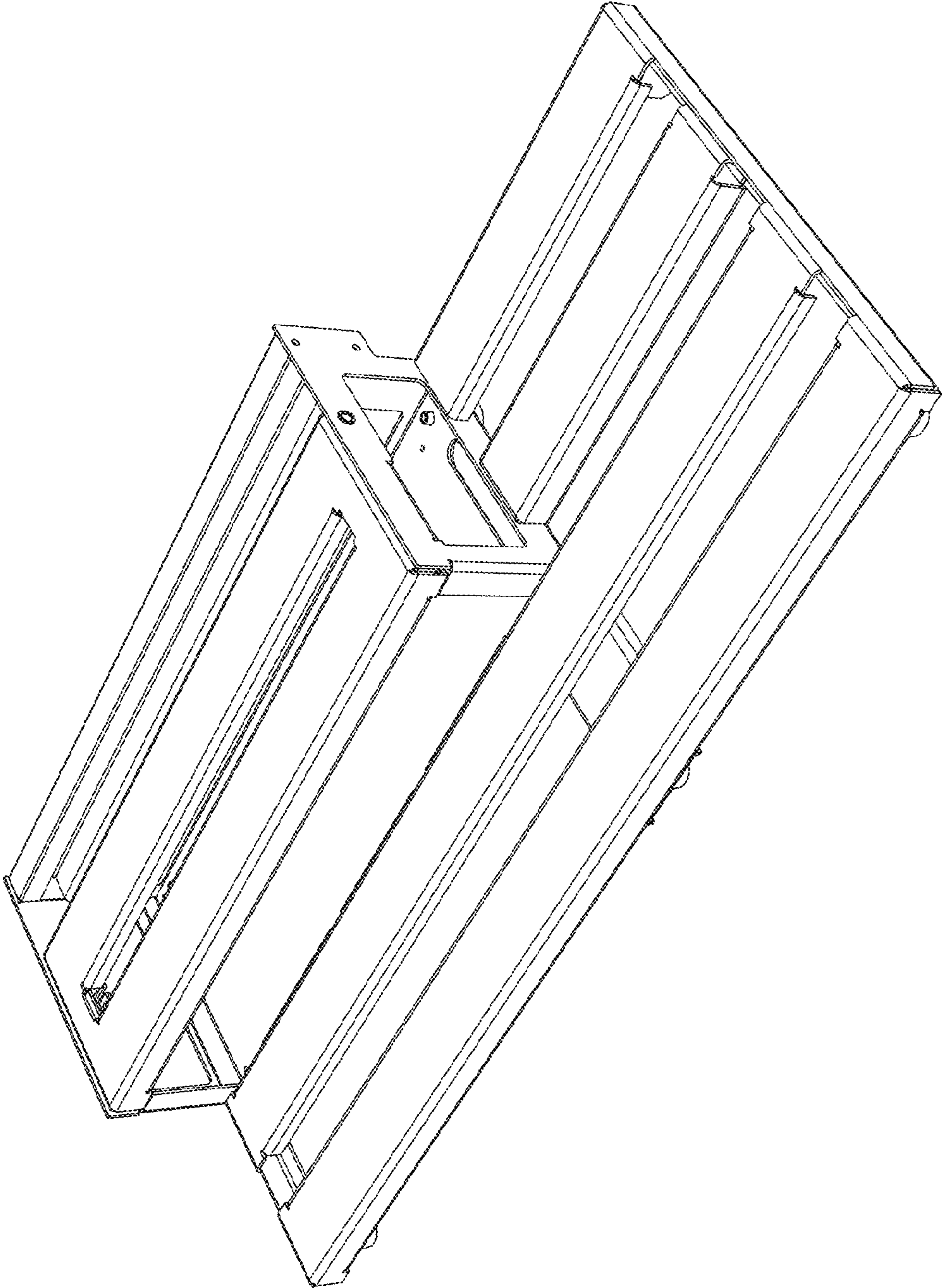


FIG. 1

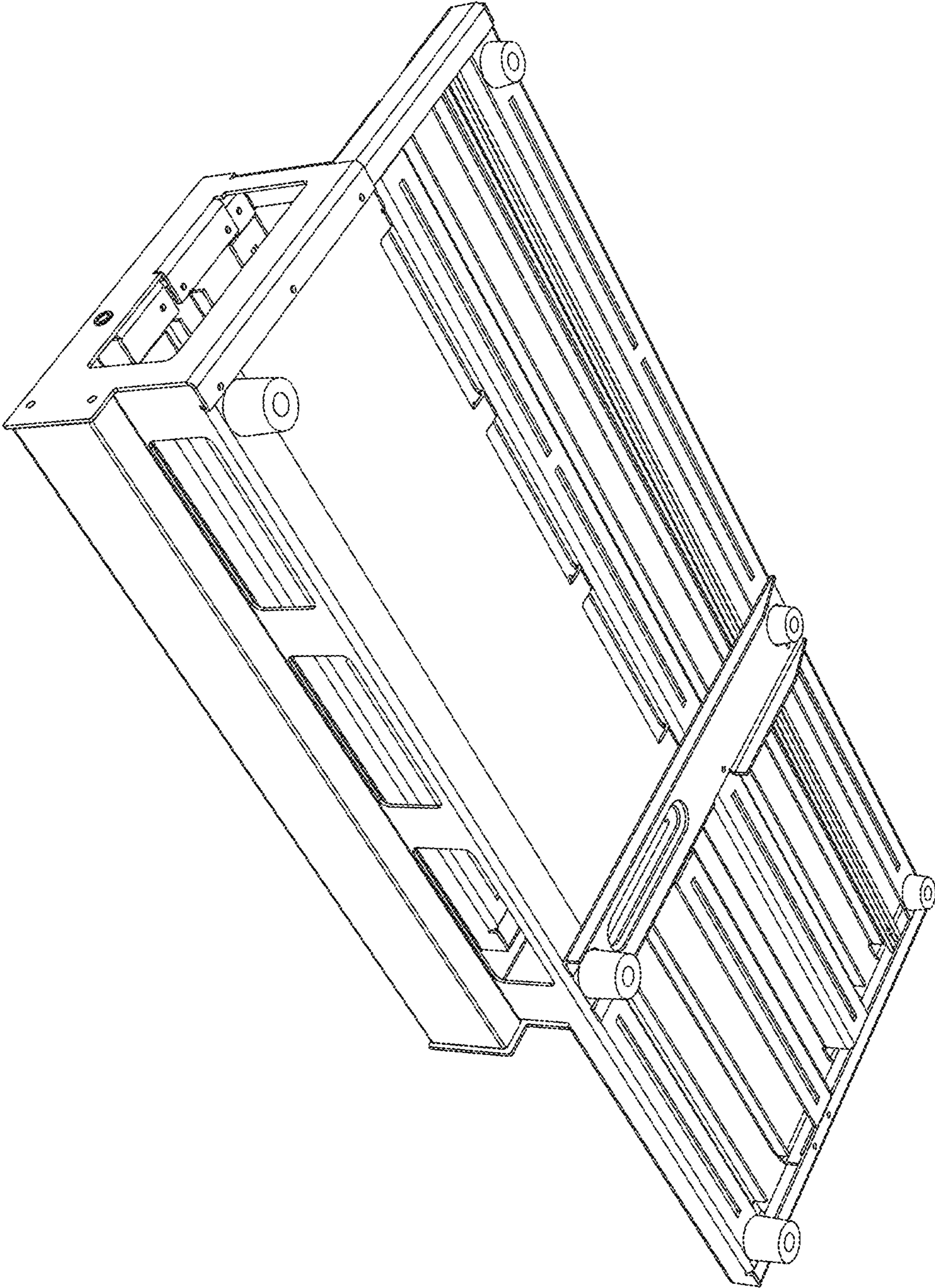


FIG. 2

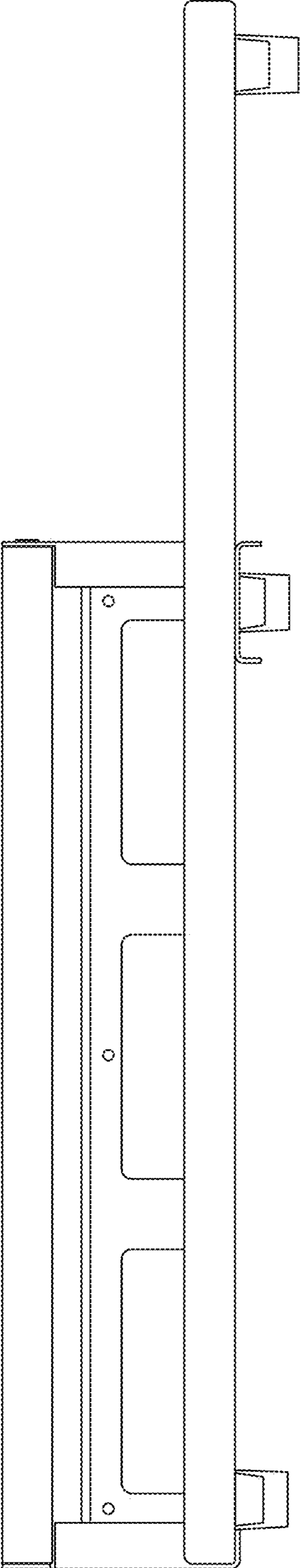


FIG. 3

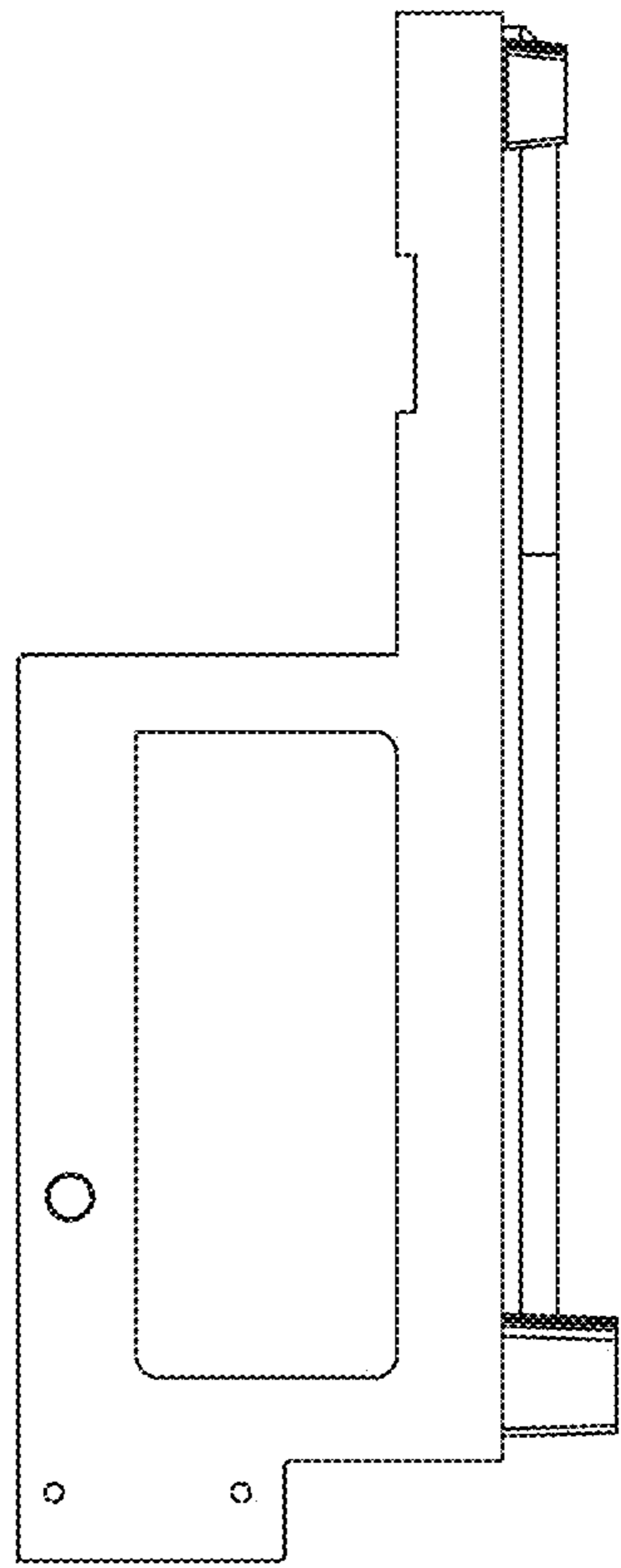


FIG. 4

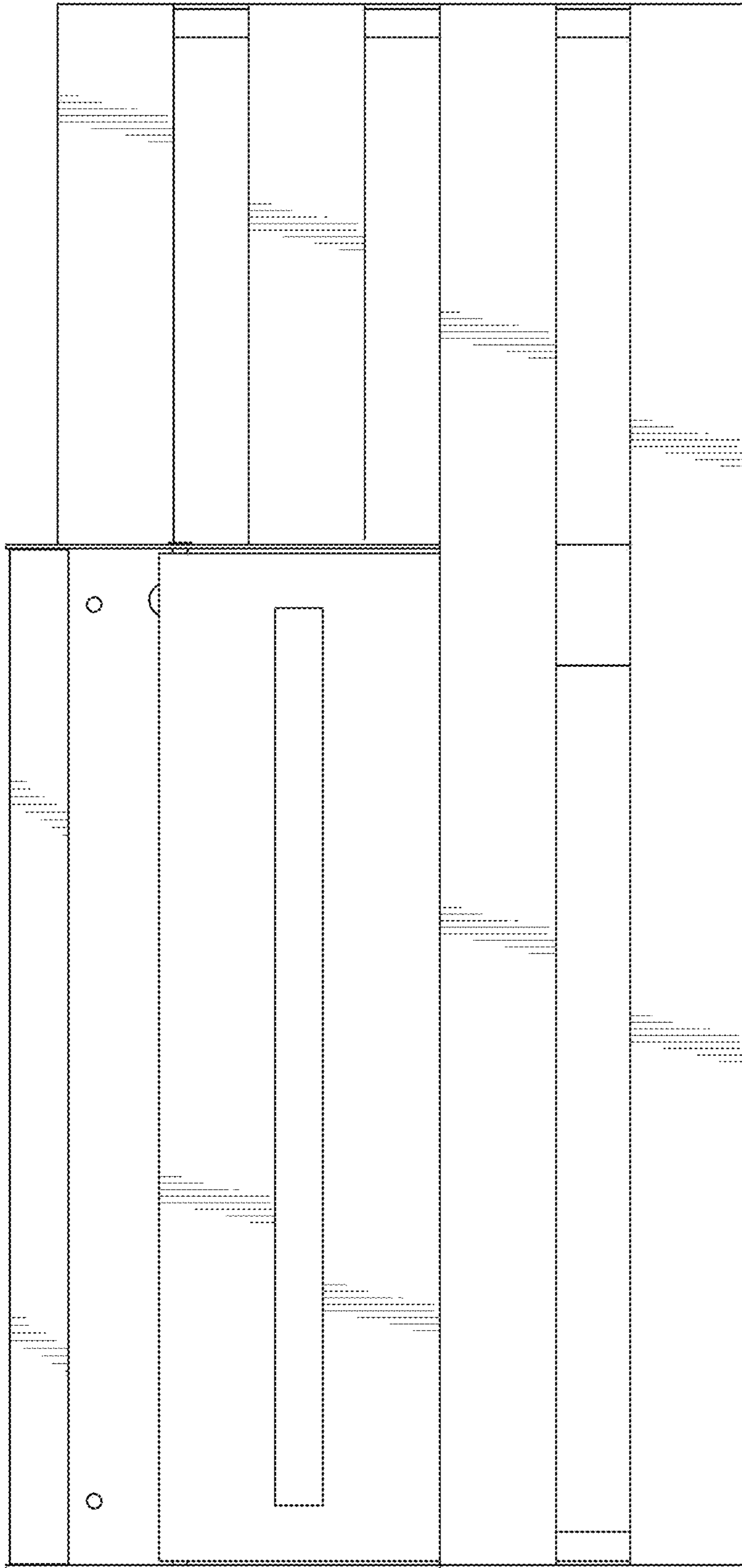


FIG. 5

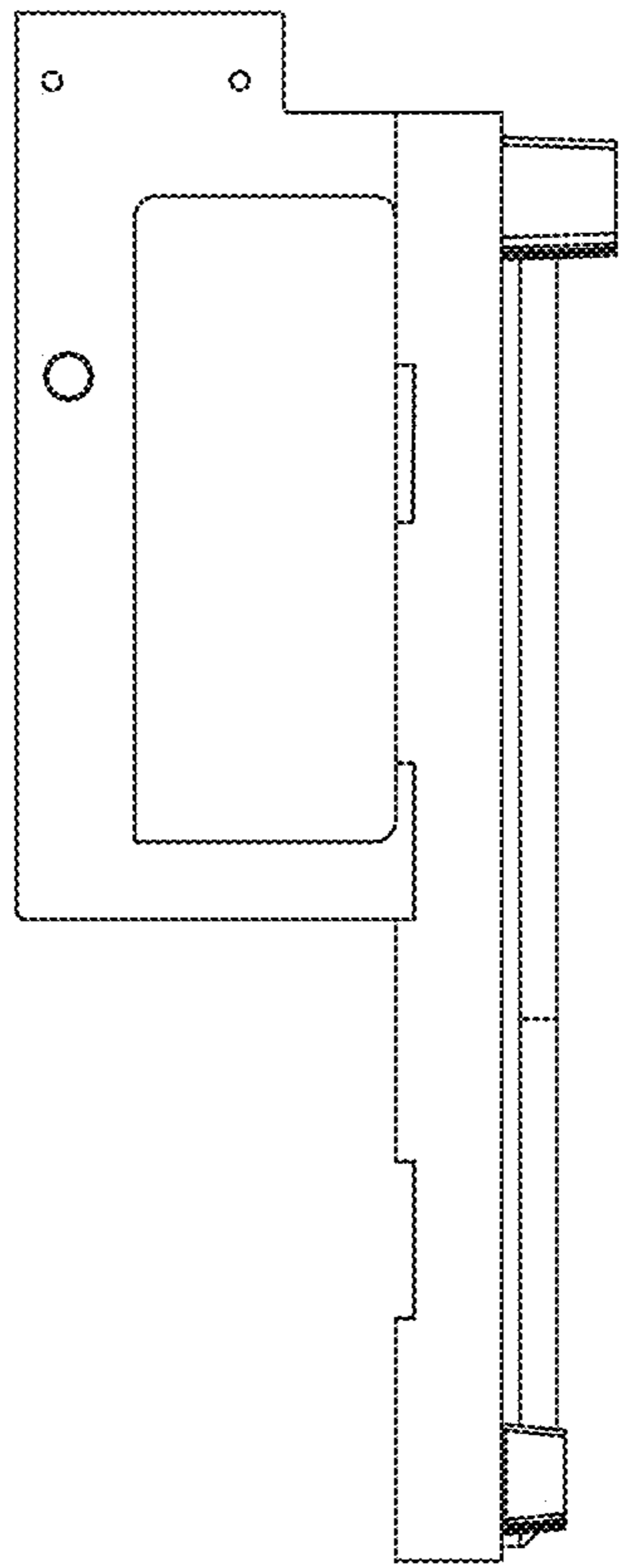


FIG. 6

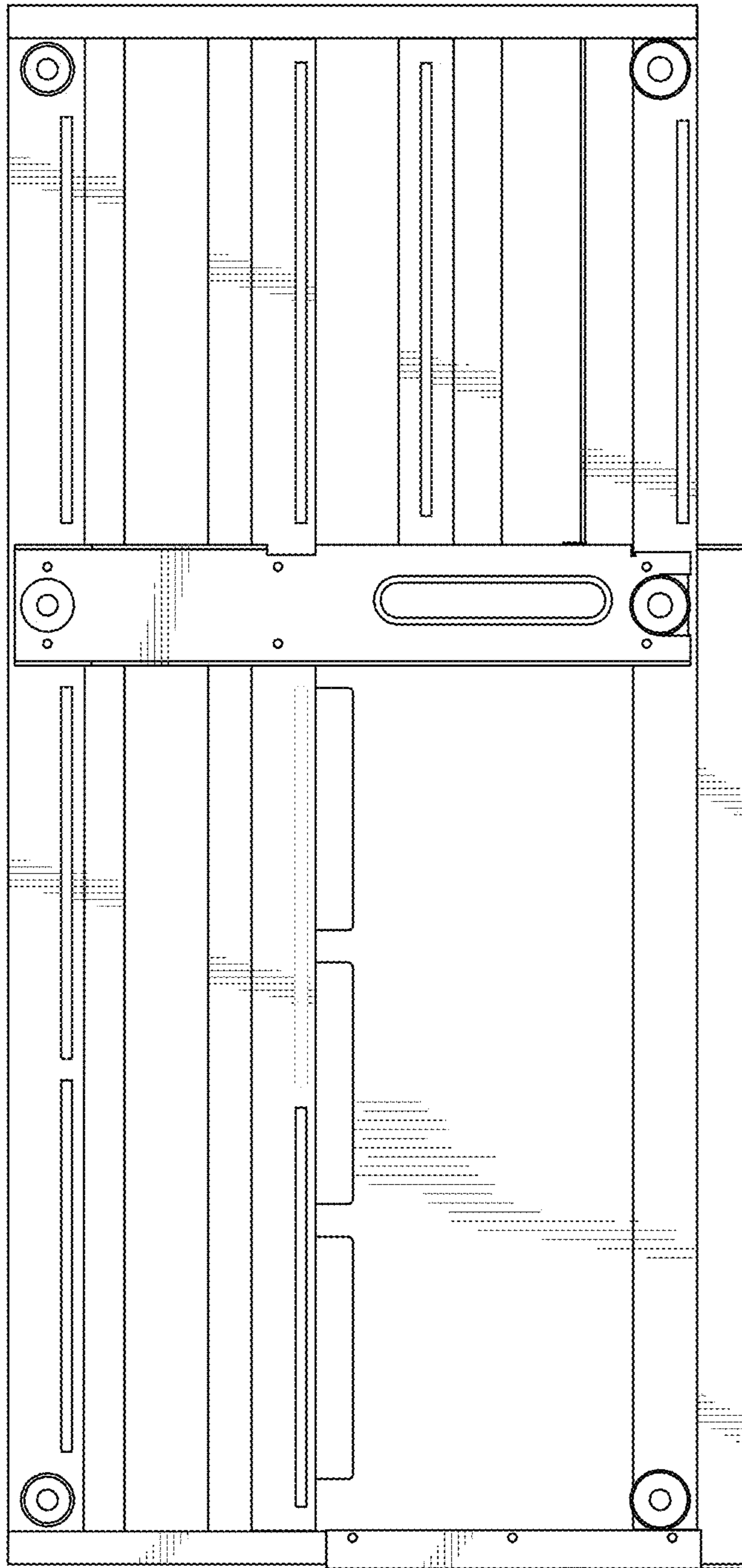


FIG. 7

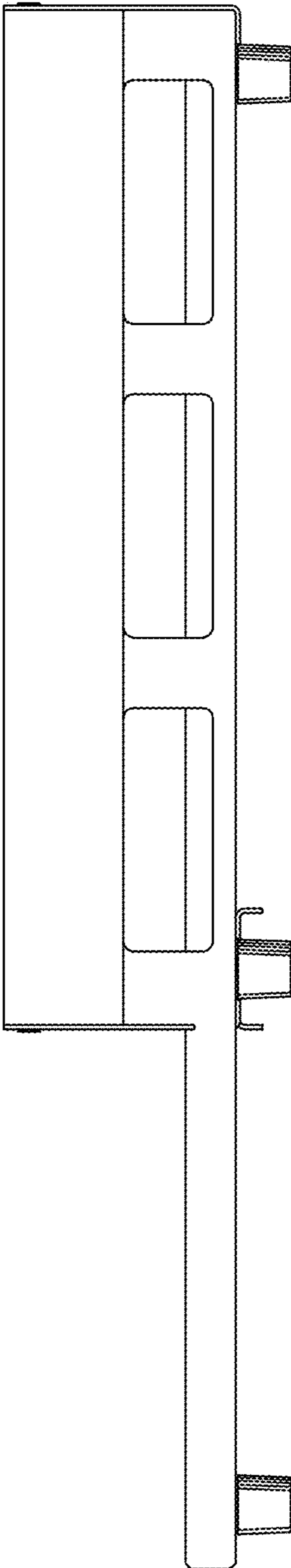


FIG. 8