



US00D926868S

(12) **United States Design Patent** (10) **Patent No.:** **US D926,868 S**  
**Dominguez et al.** (45) **Date of Patent:** **\*\* Aug. 3, 2021**

- (54) **VIEWING DEVICE**
- (71) Applicant: **Magic Leap, Inc.**, Plantation, FL (US)
- (72) Inventors: **Daniel Roger Dominguez**, Sunrise, FL (US); **Samantha Jo Gamble**, Plantation, FL (US); **Robert Coleman Skelton**, Oakland Park, FL (US); **Bradley Fraser**, Miami Beach, FL (US); **Masamune Kaji**, Plantation, FL (US)
- (73) Assignee: **Magic Leap, Inc.**, Plantation, FL (US)
- (\*\*) Term: **15 Years**
- (21) Appl. No.: **29/731,629**
- (22) Filed: **Apr. 16, 2020**

**Related U.S. Application Data**

- (62) Division of application No. 29/636,492, filed on Feb. 8, 2018, now Pat. No. Des. 894,258.
- (51) **LOC (13) Cl.** ..... **16-06**
- (52) **U.S. Cl.**  
USPC ..... **D16/326**
- (58) **Field of Classification Search**  
USPC ..... D16/300, 315, 326  
CPC ..... G02C 2200/08; G02C 7/10  
See application file for complete search history.

**References Cited**

**U.S. PATENT DOCUMENTS**

- D638,462 S 5/2011 Bumgardner et al.
- D640,256 S 6/2011 So
- D836,629 S 12/2018 Maffucci et al.
- D857,693 S \* 8/2019 Natsume ..... D14/372
- D858,520 S \* 9/2019 Natsume ..... D14/372

- D862,464 S \* 10/2019 Natsume ..... D14/372
- D875,729 S \* 2/2020 Natsume ..... D14/372
- D894,258 S \* 8/2020 Dominguez ..... D16/326
- 2019/0187490 A1 6/2019 Dominguez et al.

**OTHER PUBLICATIONS**

Restriction Requirement dated Jul. 10, 2019, Design U.S. Appl. No. 29/636,492, dated Jul. 10, 2019, (6 pages).  
 “To the Dismay of Its Audience, Magic Leap Livestream Dodges Key Questions”, Magic Leap, posted at roadtovr.com., posting date Jun. 6, 3028, [online], [site visited Jun. 28, 2019]. Available from Internet, URL: [https:// www .roadtovr.com/meet-magic-leap-one-livestream-dodged-questions/](https://www.roadtovr.com/meet-magic-leap-one-livestream-dodged-questions/), Jun. 6, 2018, (6 pages).  
 Ashley, James , “Magic Leap One vs. Hololens V1 Comparison”, posted at imaginativeuniversal.com, [site visited Jun. 28, 2019]. Available from Internet, URL: [www.imaginativeuniversal.com/blog/2018/10/08/magic-leap-one-vs-hololens-v1-comparison/](http://www.imaginativeuniversal.com/blog/2018/10/08/magic-leap-one-vs-hololens-v1-comparison/), Oct. 8, 2018, (13 pages).

(Continued)

*Primary Examiner* — George D. Kirschbaum

*Assistant Examiner* — Maria J. Edwards

(74) *Attorney, Agent, or Firm* — Stephen M. De Klerk

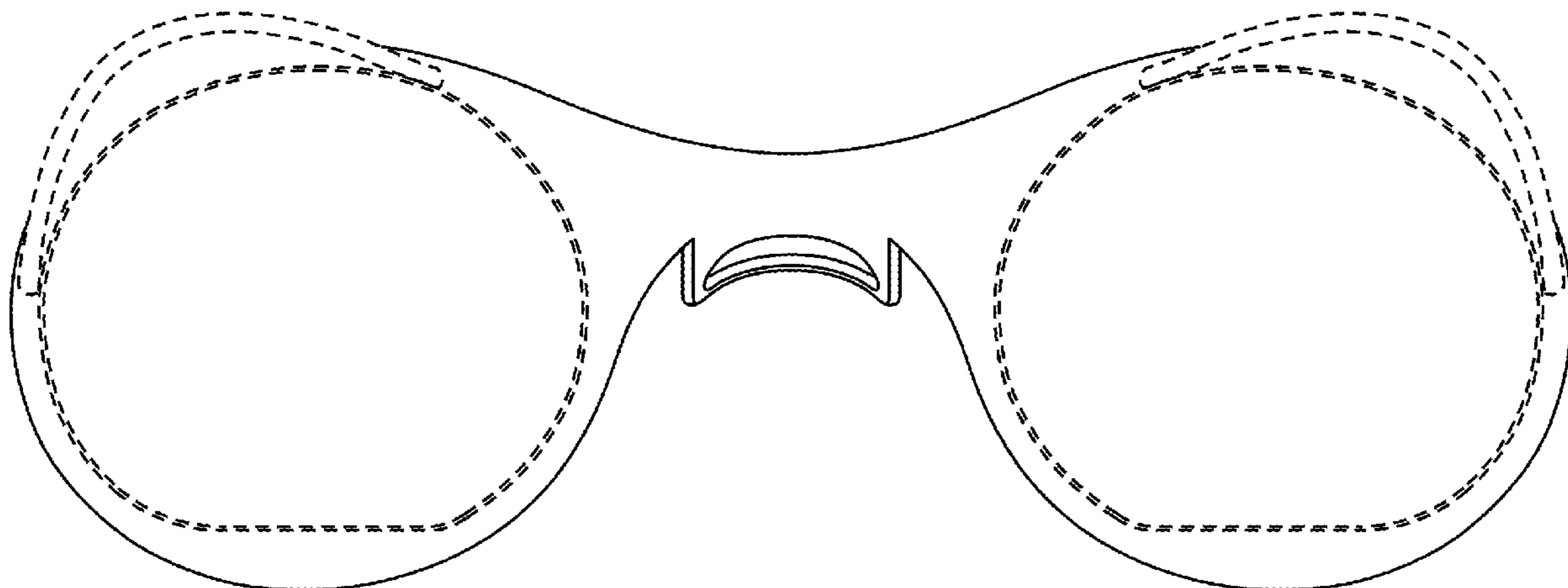
(57) **CLAIM**

The ornamental design of a viewing device, as shown and described.

**DESCRIPTION**

FIG. 1 is a front view of the viewing device according to our design;  
 FIG. 2 is a rear view thereof;  
 FIG. 3 is a top plan view thereof;  
 FIG. 4 is a bottom view thereof;  
 FIG. 5 is a right side view thereof; and,  
 FIG. 6 is a left side view thereof.  
 The broken lines represent portions of the viewing device that form no part of the claimed design.

**1 Claim, 6 Drawing Sheets**



(56)

**References Cited**

OTHER PUBLICATIONS

Sun, Leo , "Can Advanced Micro Devies, Inc. Be Saved By Augmented and Virtual Reality?", posted at fool.com, Available from Internet, URL: <https://www.fool.com/investing/general/2015/05/20/can-advanced-micro-devices-i-nc-be-saved-by-augment.aspx>, May 20, 2010, (8 pages).

\* cited by examiner

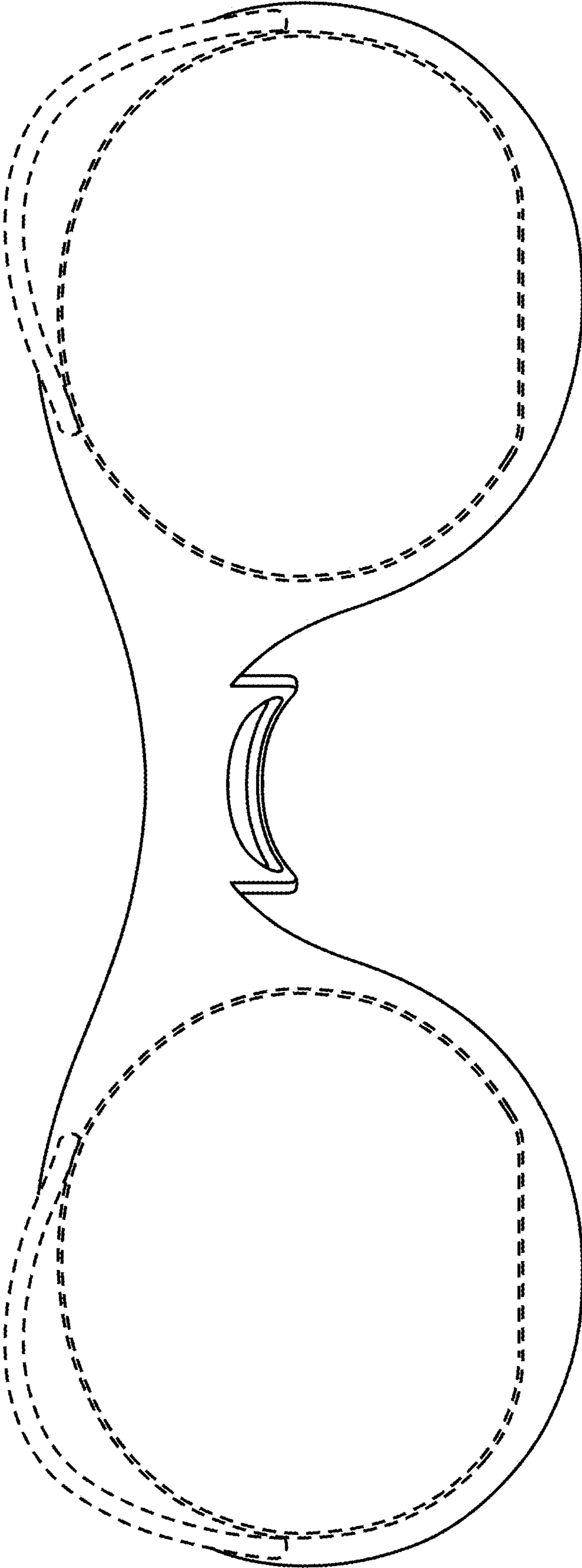


FIG. 1

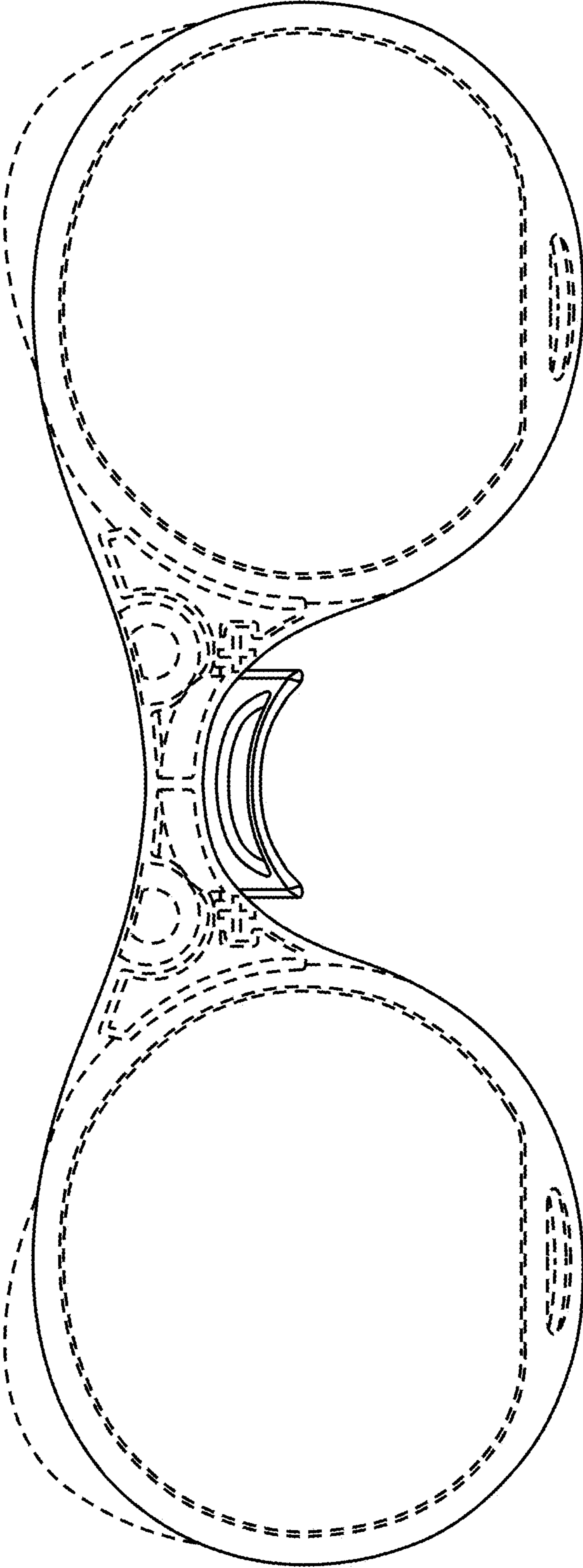


FIG. 2

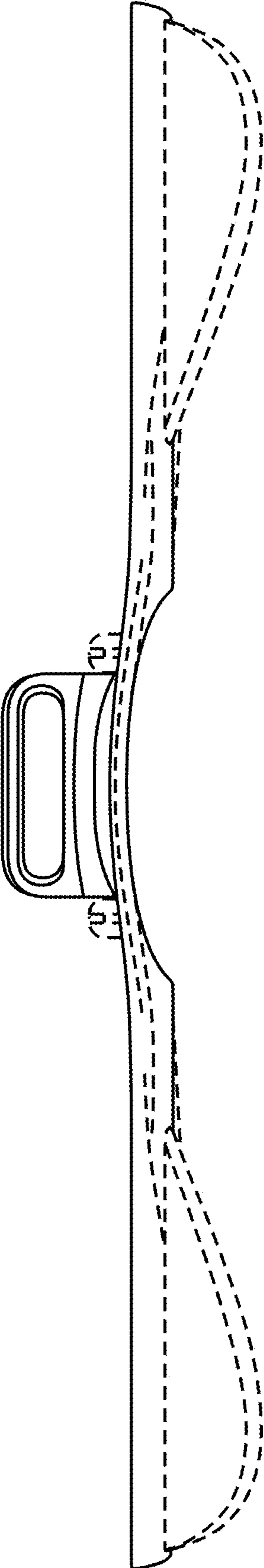


FIG. 3

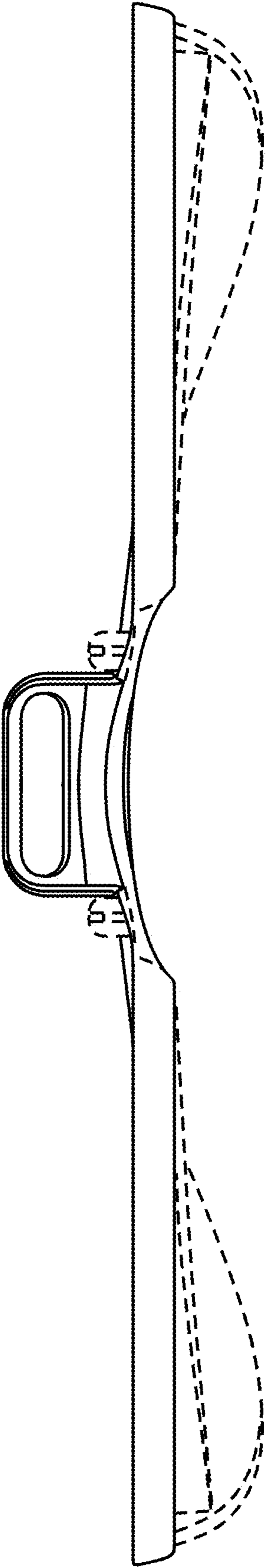


FIG. 4

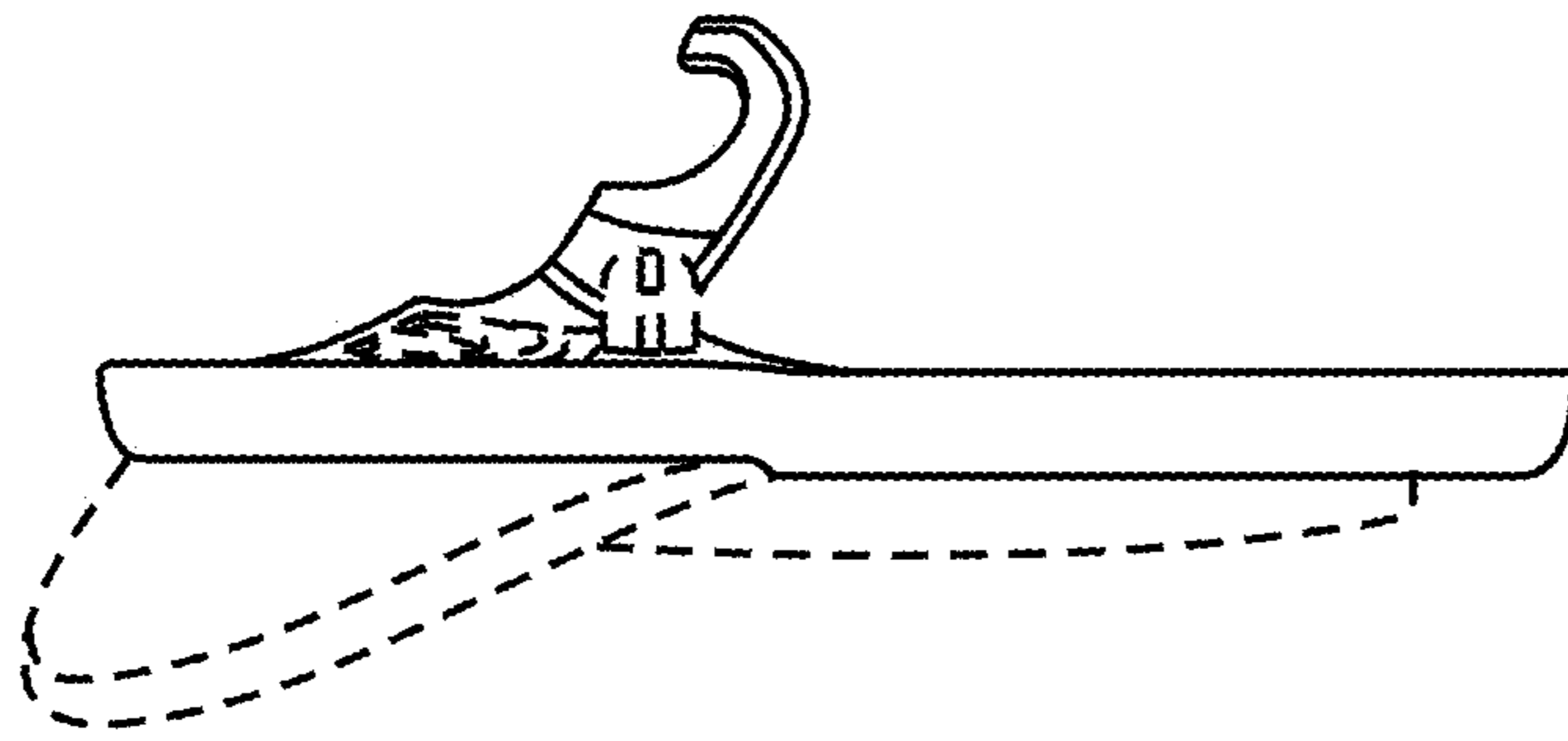


FIG. 5

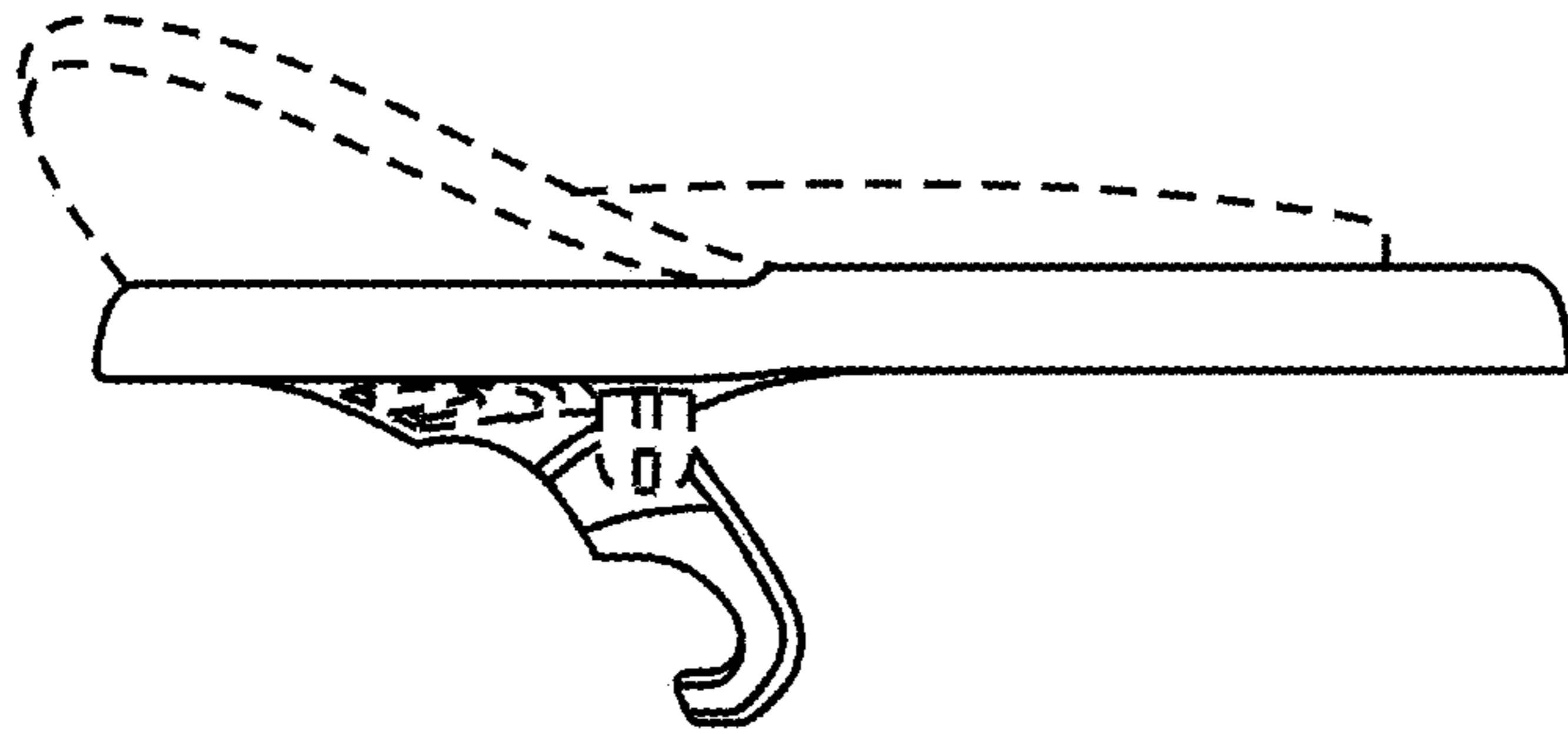


FIG. 6