



US00D926863S

(12) **United States Design Patent** (10) **Patent No.:** **US D926,863 S**
Grabner (45) **Date of Patent:** **** Aug. 3, 2021**

(54) **TRIPOD FOR CAMERAS AND FILM CAMERAS**

(71) Applicant: **Inveo OG**, Grieskirchen (AT)
 (72) Inventor: **Martin Grabner**, Grieskirchen (AT)
 (73) Assignee: **Inveo OG**, Grieskirchen (AT)
 (**) Term: **15 Years**

(21) Appl. No.: **35/509,043**

(22) Filed: **Dec. 11, 2019**

(80) **Hague Agreement Data**

Int. Filing Date: **Dec. 11, 2019**
 Int. Reg. No.: **DM/206899**
 Int. Reg. Date: **Dec. 11, 2019**
 Int. Reg. Pub. Date: **Apr. 10, 2020**

(51) **LOC (13) Cl.** **16-05**

(52) **U.S. Cl.**
USPC **D16/244**

(58) **Field of Classification Search**
 USPC D16/242, 244, 245; D6/312, 701
 CPC F16M 11/36; F16M 2200/021
 See application file for complete search history.

(56) **References Cited**

U.S. PATENT DOCUMENTS

D233,368 S * 10/1974 Schimpf D16/244
 D704,486 S * 5/2014 Cho D6/708.25
 D720,384 S * 12/2014 Holmen D16/244
 D901,579 S * 11/2020 Wang D16/244
 D907,106 S * 1/2021 Li D16/244
 D911,428 S * 2/2021 Xiao D16/244
 2020/0149679 A1 * 5/2020 Grabner F16H 1/16

* cited by examiner

Primary Examiner — Holly E Thurman

(74) *Attorney, Agent, or Firm* — Greenblum & Bernstein, P.L.C.

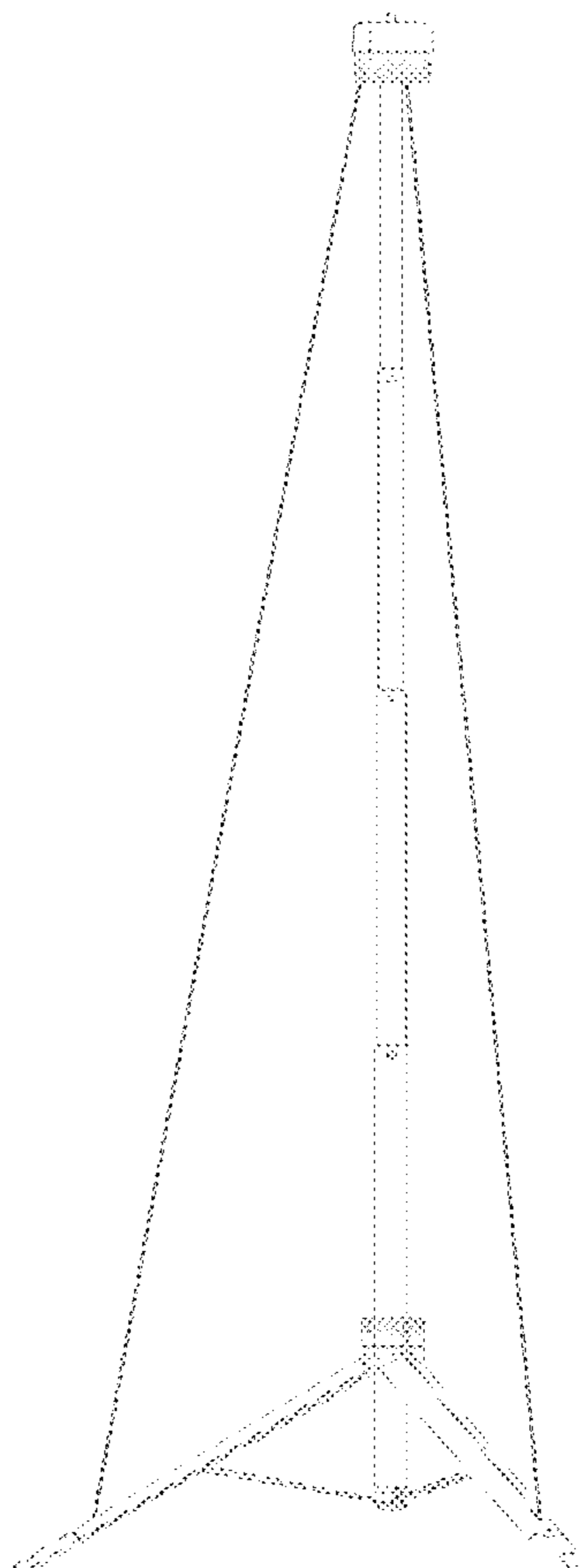
(57) **CLAIM**

The ornamental design for a tripod for cameras and film cameras, as shown and described.

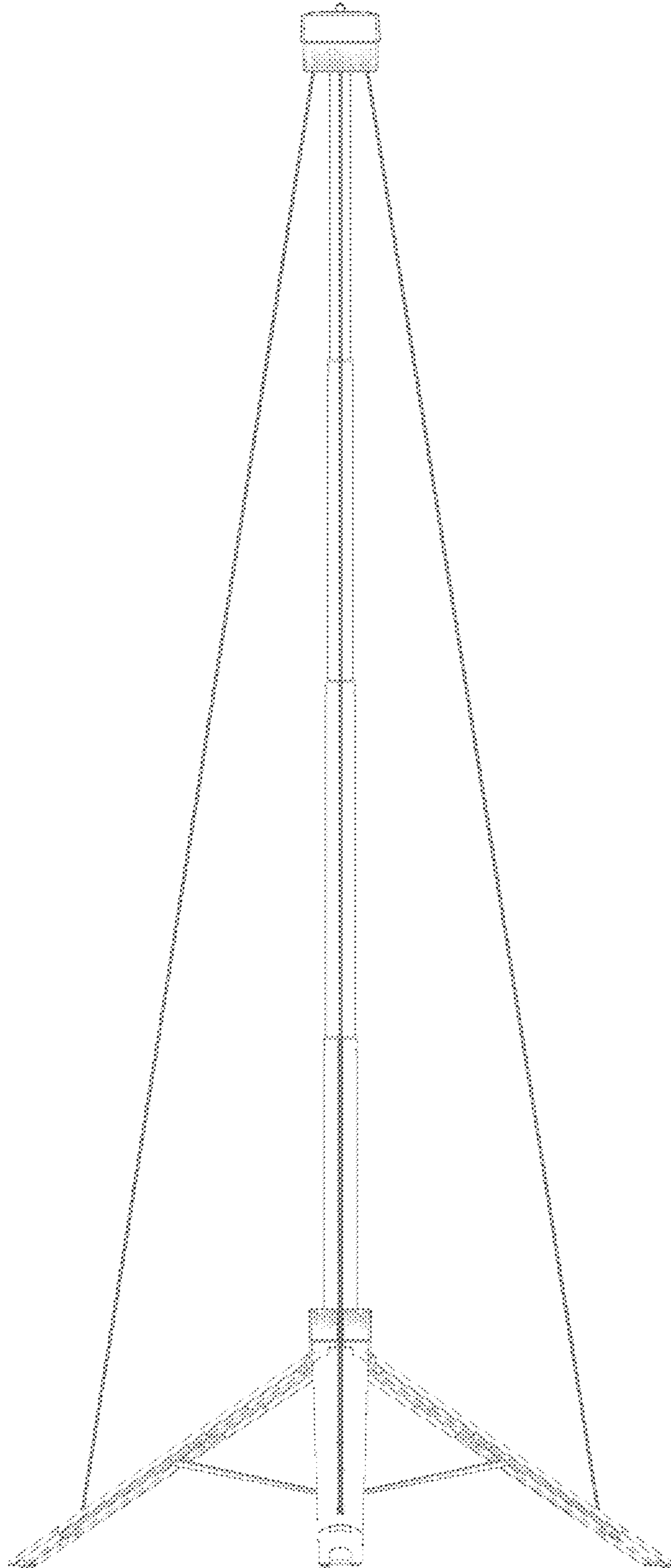
DESCRIPTION

1. Tripod for cameras and film cameras
 - 1.1 : Front
 - 1.2 : Left
 - 1.3 : Top
 - 1.4 : Front
 - 1.5 : Top
 - 1.6 : Right

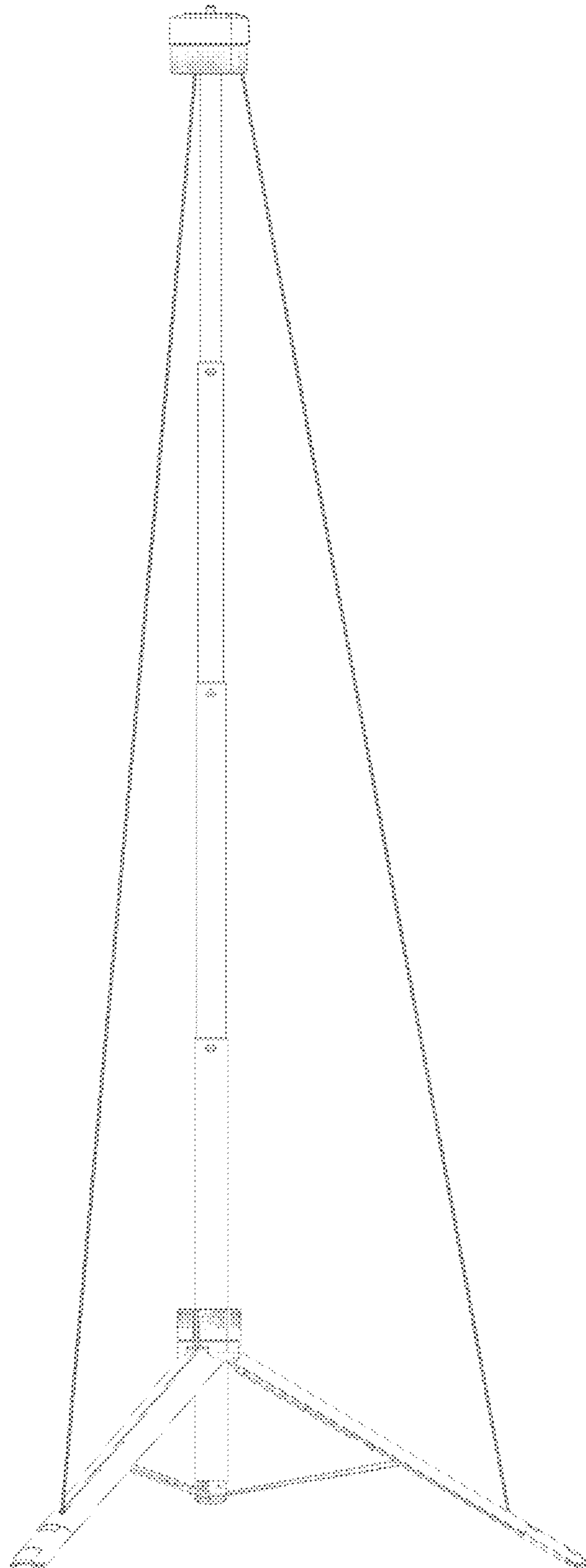
1 Claim, 6 Drawing Sheets



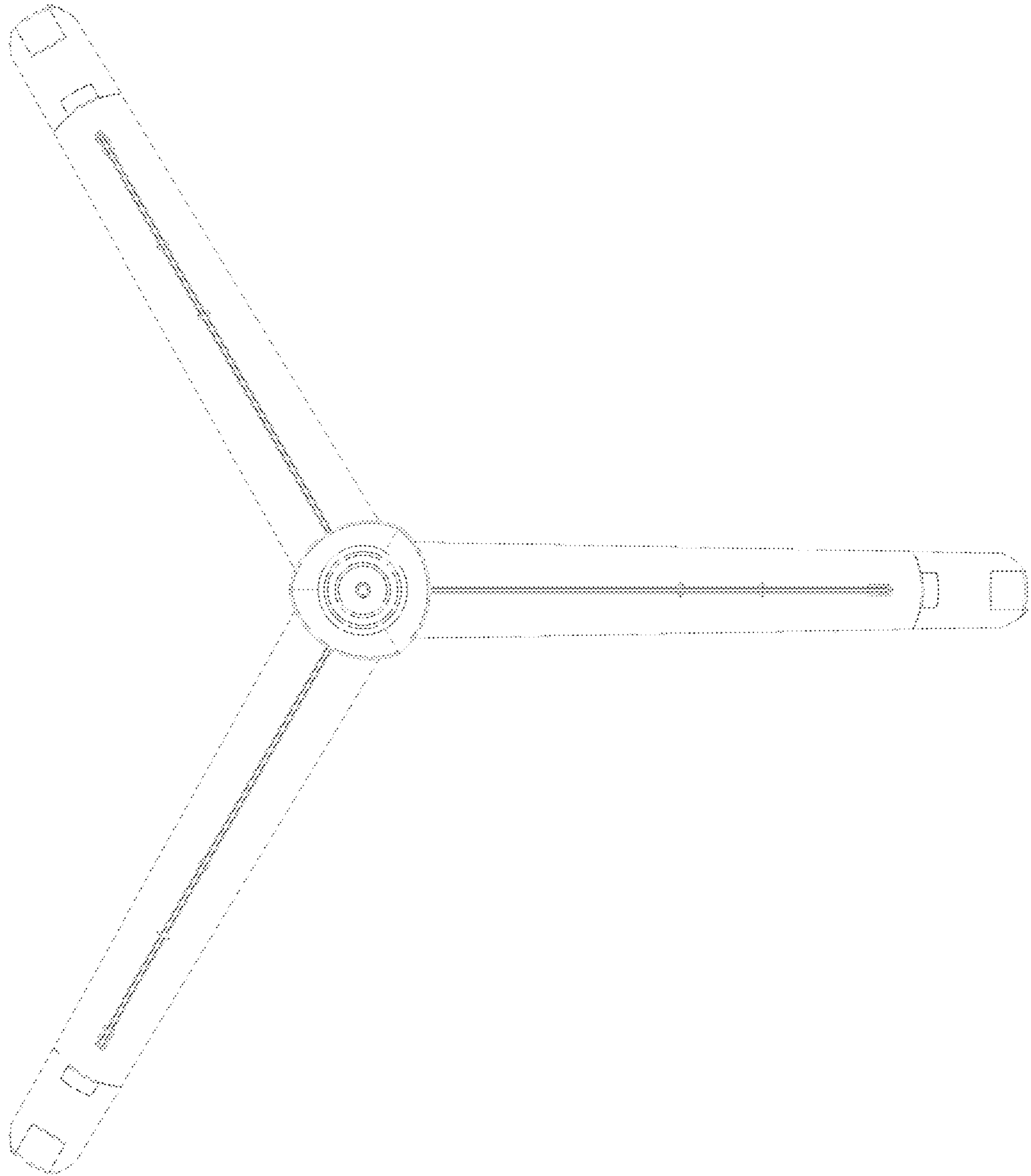
1.1



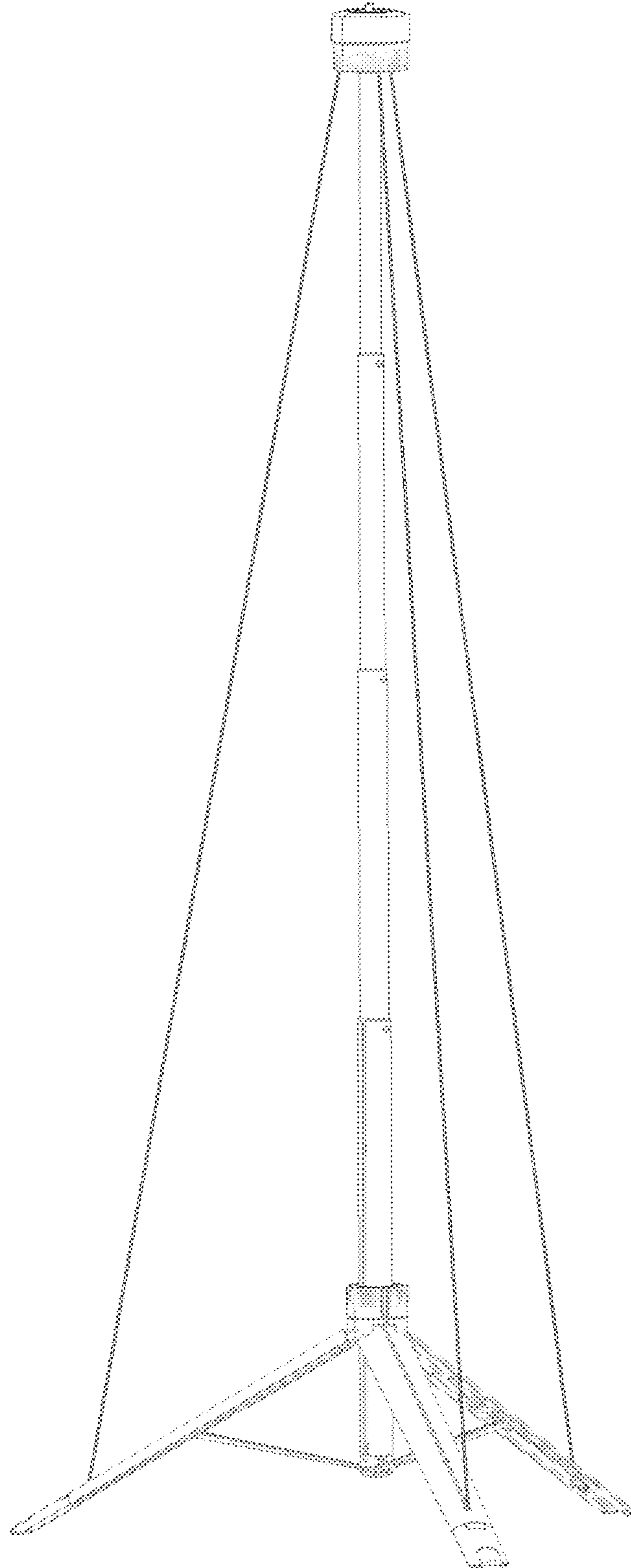
1.2



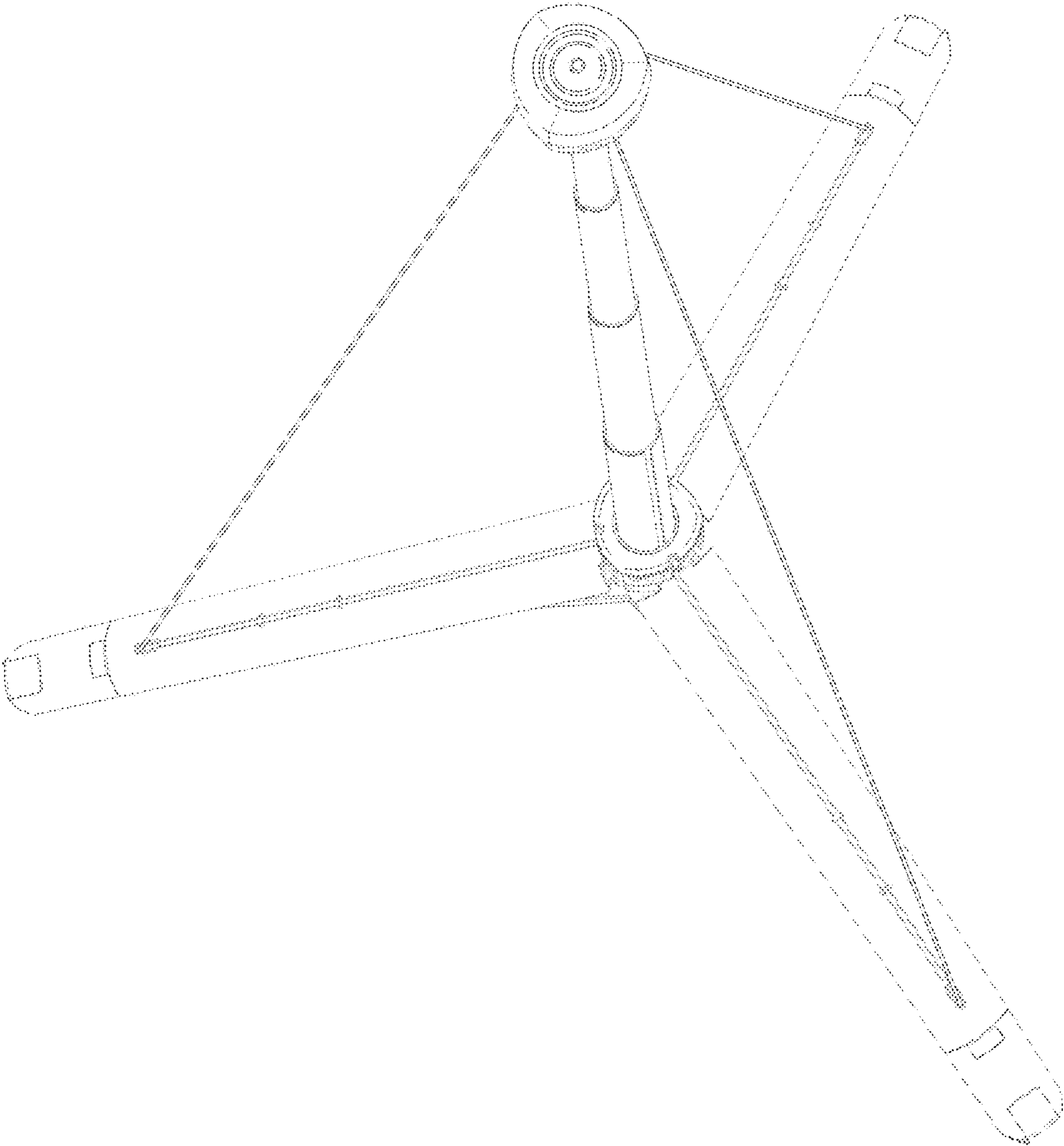
1.3



1.4



1.5



1.6

