

US00D926862S

(12) **United States Design Patent** (10) **Patent No.:** **US D926,862 S**
Kim et al. (45) **Date of Patent:** **** Aug. 3, 2021**

(54) **GIMBAL**

(56) **References Cited**

(71) Applicant: **SZ DJI TECHNOLOGY CO., LTD.**,
Shenzhen (CN)

U.S. PATENT DOCUMENTS

(72) Inventors: **Min Kim**, Shenzhen (CN); **Zhi-Hui Zhu**,
Shenzhen (CN); **Xiao-Yu Tian**,
Shenzhen (CN)

D780,825	S	*	3/2017	Kim	D16/242
D784,997	S	*	4/2017	Cheng	D14/447
D794,606	S	*	8/2017	Zheng	D14/217
D796,482	S	*	9/2017	Zheng	D14/217
9,800,786	B1	*	10/2017	Wei	H04N 5/2328
D810,171	S	*	2/2018	Kim	D16/206
9,891,505	B1	*	2/2018	Wei	F16M 13/02
9,894,279	B2	*	2/2018	Wei	F16M 11/123
D814,545	S	*	4/2018	Kim	D16/206
D815,180	S	*	4/2018	Kim	D16/206
D826,310	S	*	8/2018	Wang	D16/243
10,139,711	B1	*	11/2018	Wei	G03B 17/563
10,240,714	B2	*	3/2019	Wei	F16M 13/00
D849,497	S	*	5/2019	Wang	D8/71

(73) Assignee: **SZ DJI TECHNOLOGY CO., LTD.**,
Shenzhen (CN)

(**) Term: **15 Years**

(21) Appl. No.: **29/743,420**

(Continued)

(22) Filed: **Jul. 21, 2020**

FOREIGN PATENT DOCUMENTS

Related U.S. Application Data

CN	303509504	S	12/2015
CN	303565161	S	1/2016

(60) Division of application No. 29/704,737, filed on Sep. 6, 2019, now Pat. No. Des. 894,257, which is a continuation of application No. 29/688,578, filed on Apr. 23, 2019, now Pat. No. Des. 866,647, which is a continuation of application No. 29/632,363, filed on Jan. 8, 2018, now Pat. No. Des. 857,786.

(Continued)

Primary Examiner — Vy N Koenig
(74) *Attorney, Agent, or Firm* — ScienBiziP, P.C.

(51) **LOC (13) Cl.** **16-05**

(57) **CLAIM**

(52) **U.S. Cl.**
USPC **D16/243**

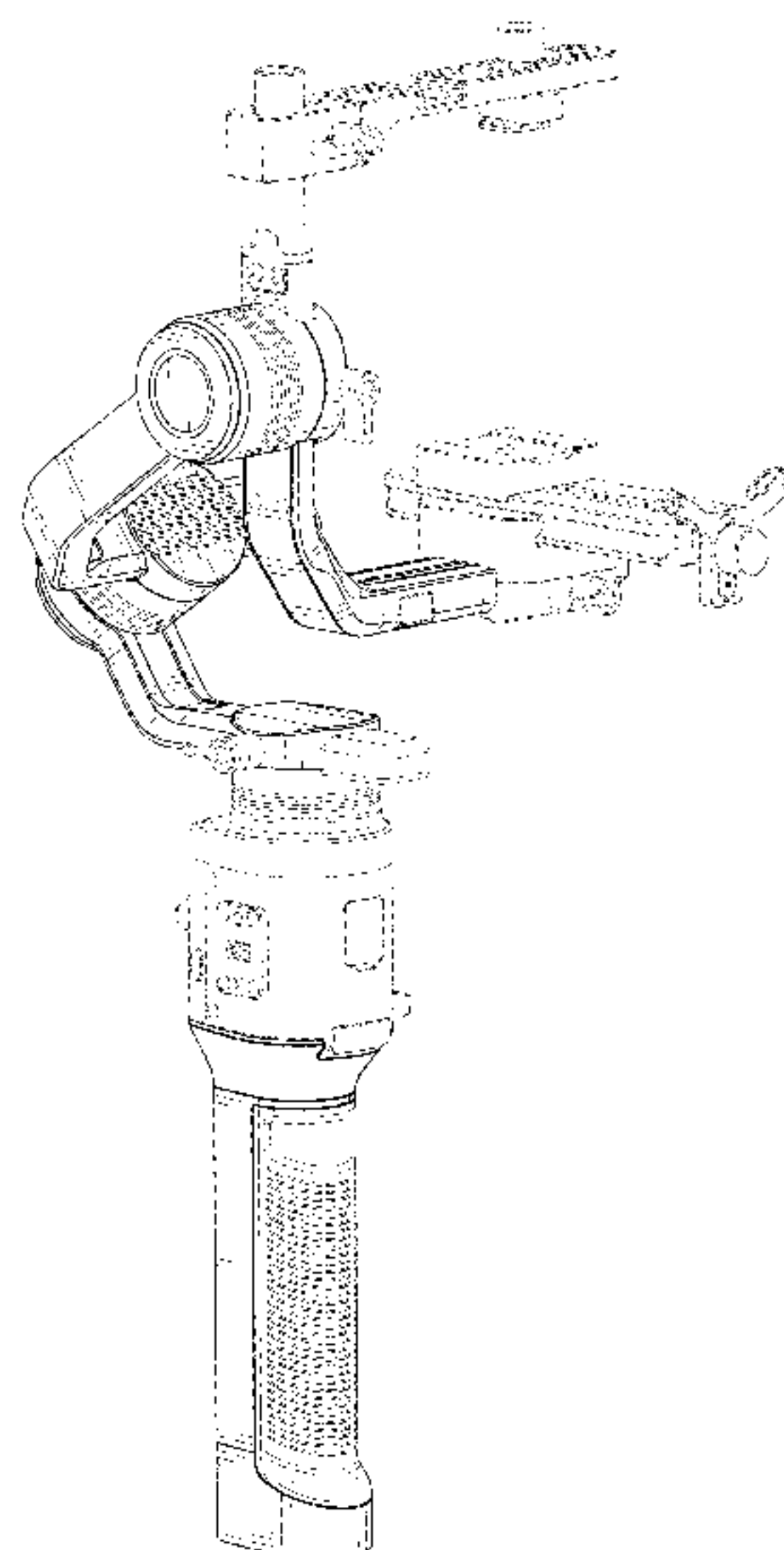
The ornamental design for a gimbal, as shown and described.

(58) **Field of Classification Search**
USPC D16/219, 237–250; D2/976; D8/354,
D8/355, 363, 373, 382–383, 394–396;
D14/224, 229, 238, 251, 253, 447, 451,
D14/457
CPC A45F 5/00; A45F 5/10; A45F
2200/0508–0533; F16M 11/06–10; F16M
11/14; G03B 17/56; G03B 17/561–566;
H04N 5/2253–2254
See application file for complete search history.

DESCRIPTION

FIG. 1 is a front perspective view of a gimbal showing our design.
FIG. 2 is a rear perspective view thereof.
FIG. 3 is a front elevation view thereof.
FIG. 4 is a rear elevation view thereof.
FIG. 5 is a left side elevation view thereof.
FIG. 6 is a right side elevation view thereof.
FIG. 7 is a top plan view thereof; and,
FIG. 8 is a bottom plan view thereof.
The broken lines in the drawings depict environmental structure and boundaries only and form no part of the claimed design to be patented.

1 Claim, 8 Drawing Sheets



(56)

References Cited

FOREIGN PATENT DOCUMENTS

U.S. PATENT DOCUMENTS

D857,786 S * 8/2019 Kim D16/243
 D860,170 S * 9/2019 Ding D14/217
 D863,411 S * 10/2019 Liao D16/243
 10,432,863 B2 * 10/2019 Appel F16M 13/00
 D866,647 S * 11/2019 Kim D16/243
 10,465,840 B2 * 11/2019 Gubler F16M 11/18
 D868,877 S * 12/2019 Lin D16/243
 10,536,630 B2 * 1/2020 Enke F16M 11/123
 D892,911 S * 8/2020 Kim D16/243
 D894,257 S * 8/2020 Kim D16/243
 D897,314 S * 9/2020 Ding D14/217
 2017/0037995 A1 * 2/2017 Pan F16M 11/18
 2017/0064176 A1 * 3/2017 Kim G02B 27/644
 2017/0146892 A1 * 5/2017 Wei F16M 11/10
 2017/0241589 A1 * 8/2017 Wang F16M 11/2071
 2017/0307136 A1 * 10/2017 Wei F16M 13/04
 2018/0031951 A1 * 2/2018 Wang F16M 11/123

CN 303572923 S 1/2016
 CN 303933788 S 11/2016
 CN 303933792 S 11/2016
 CN 303950098 S 11/2016
 CN 303959959 S 12/2016
 CN 303969930 S 12/2016
 CN 304006157 S 1/2017
 CN 304019018 S 1/2017
 CN 304057342 S 2/2017
 CN 304118256 S 4/2017
 CN 304322279 S 10/2017
 CN 304400849 S 12/2017
 CN 304432372 S 12/2017
 JP D1557793 9/2016
 JP D1559060 9/2016

* cited by examiner

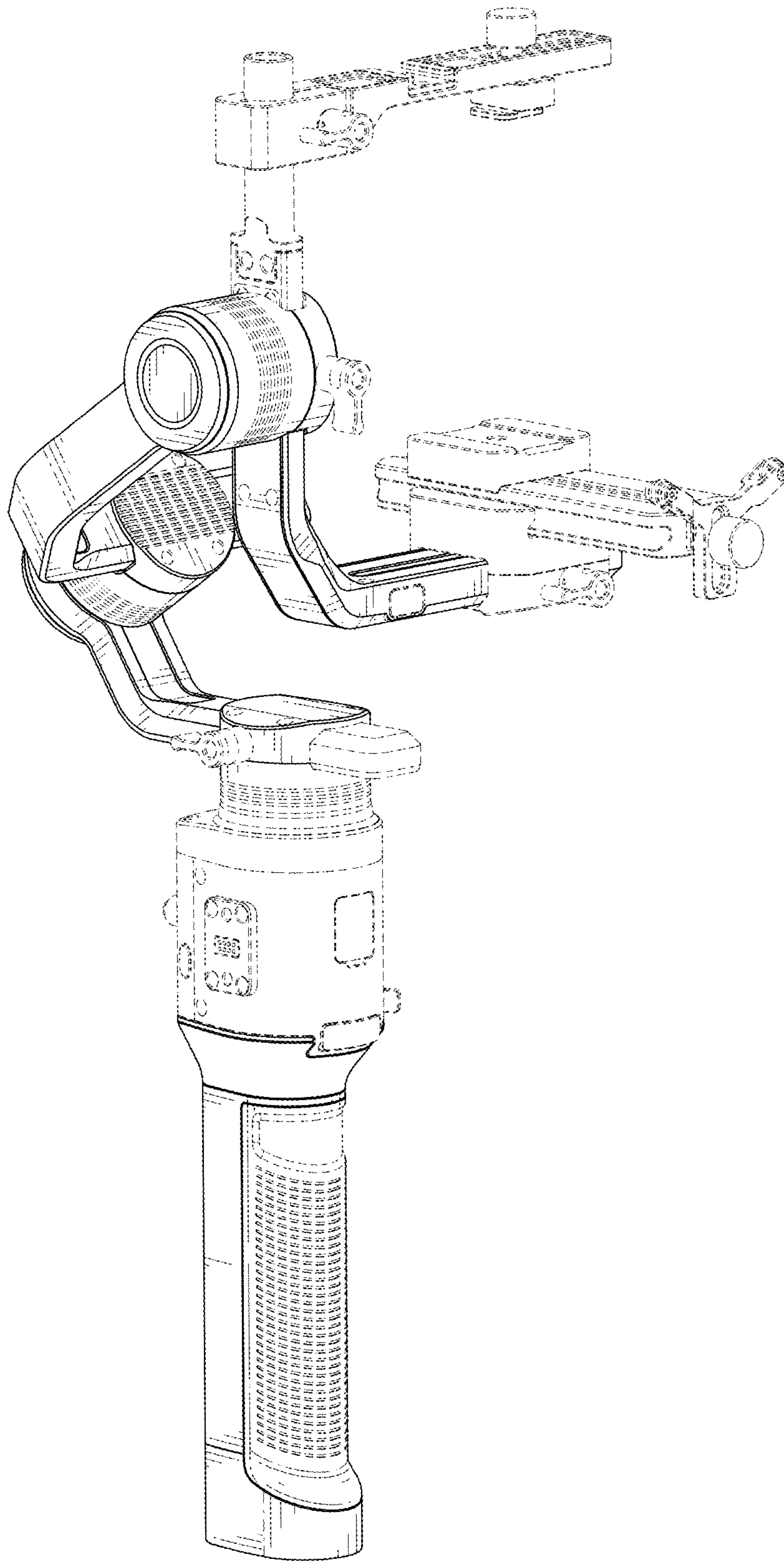


FIG. 1

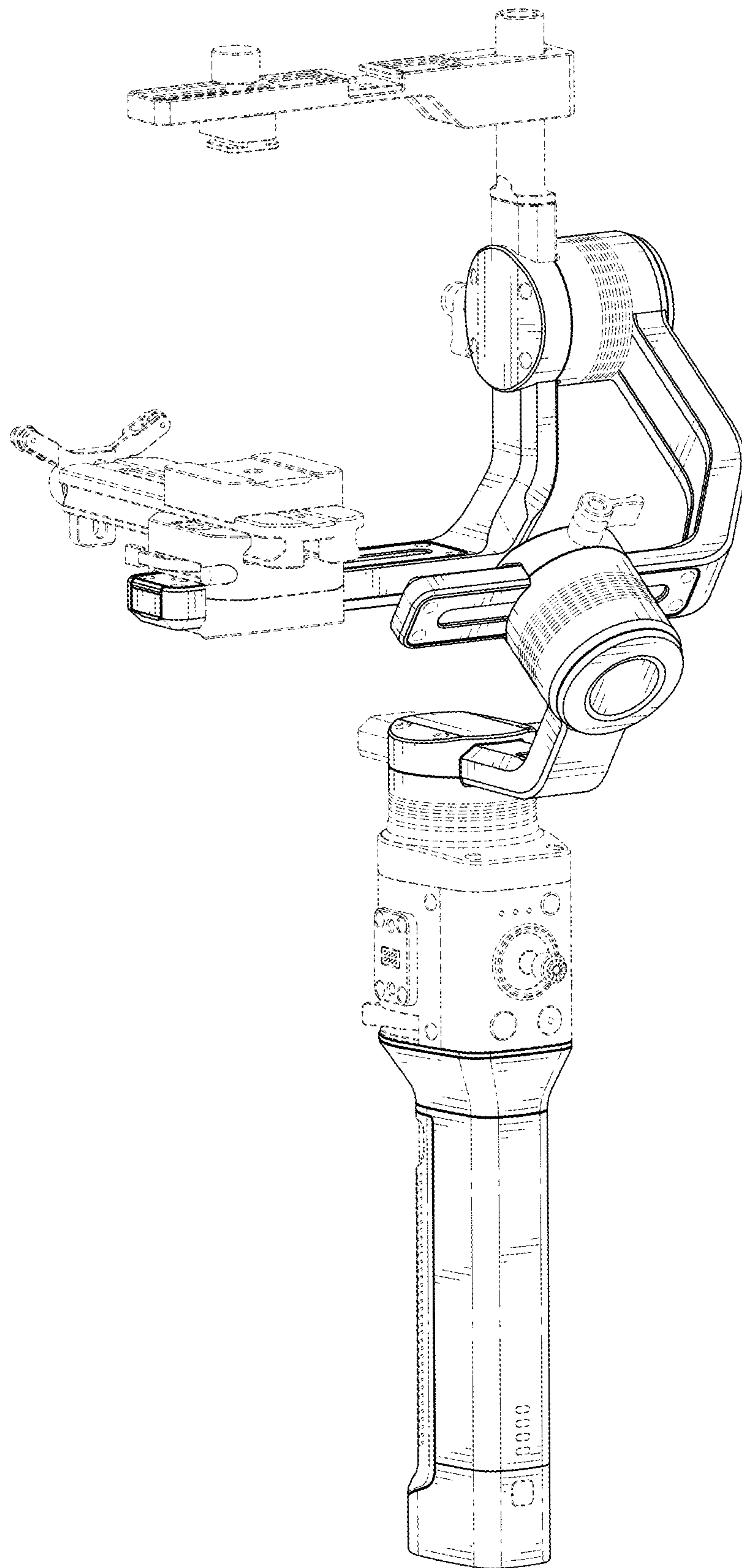


FIG. 2

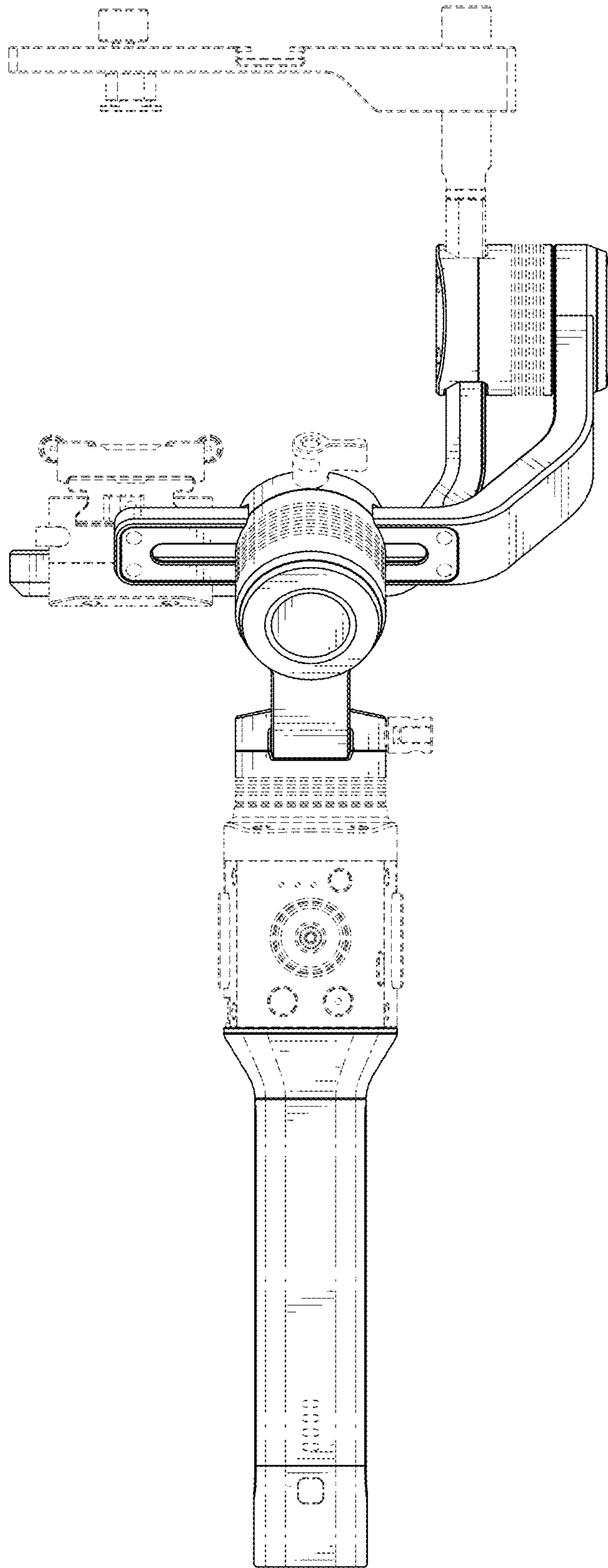


FIG. 3

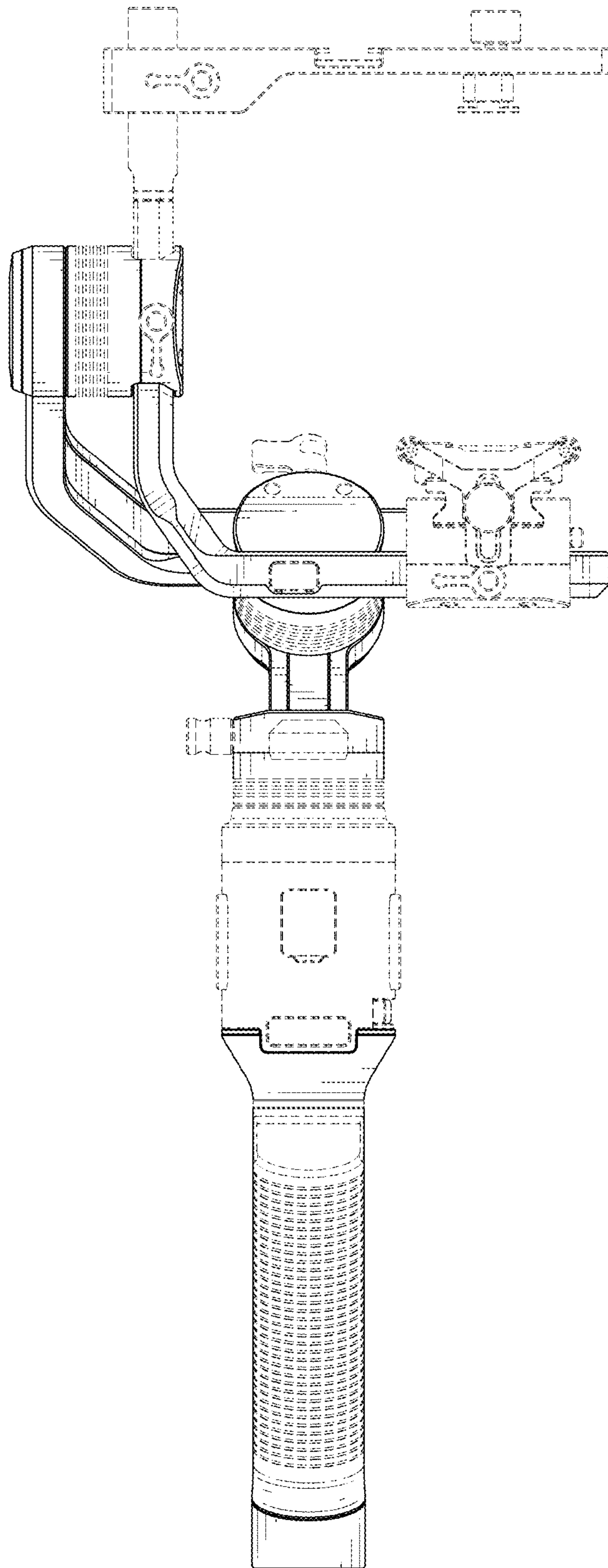


FIG. 4

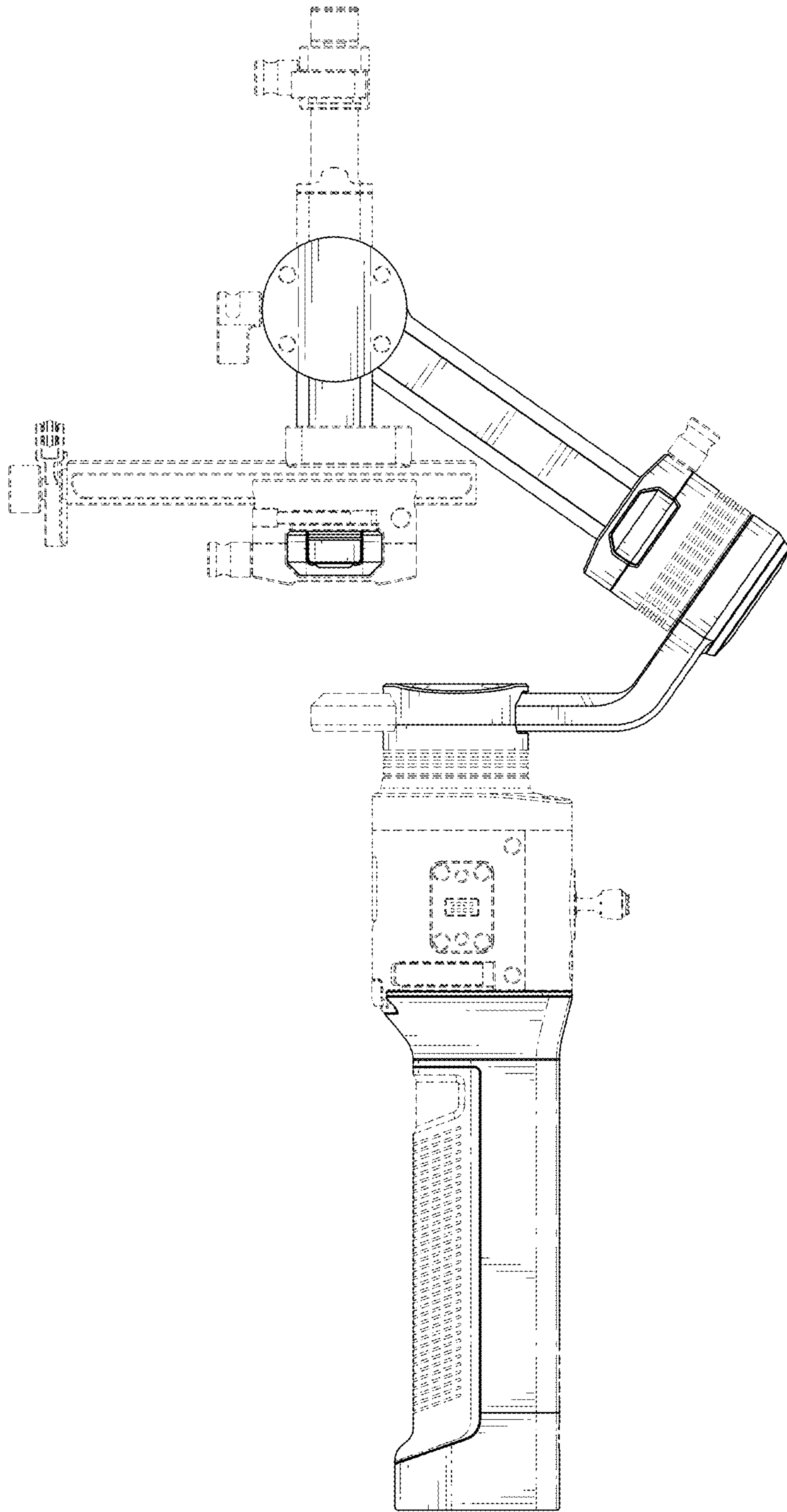


FIG. 5

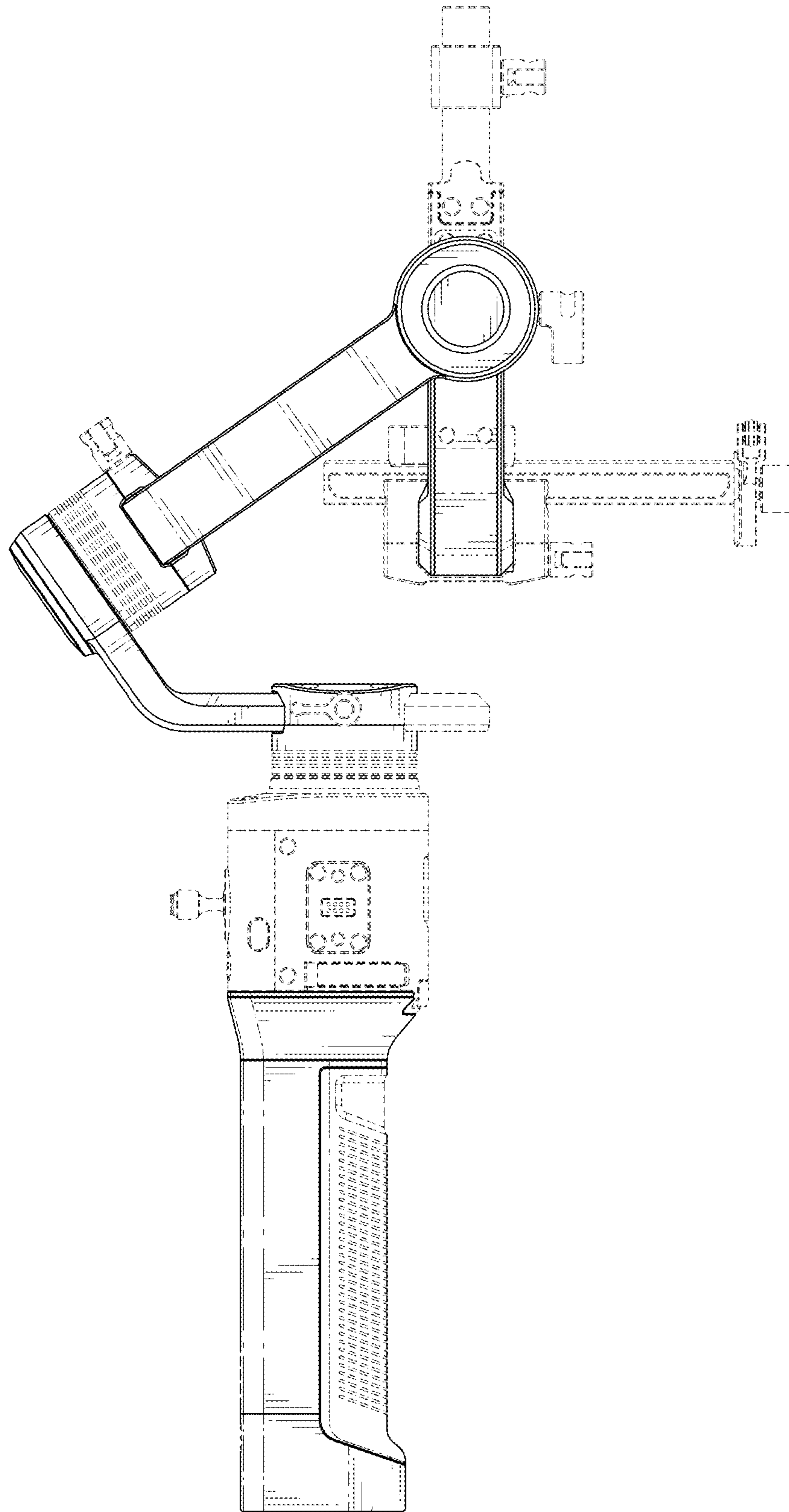


FIG. 6

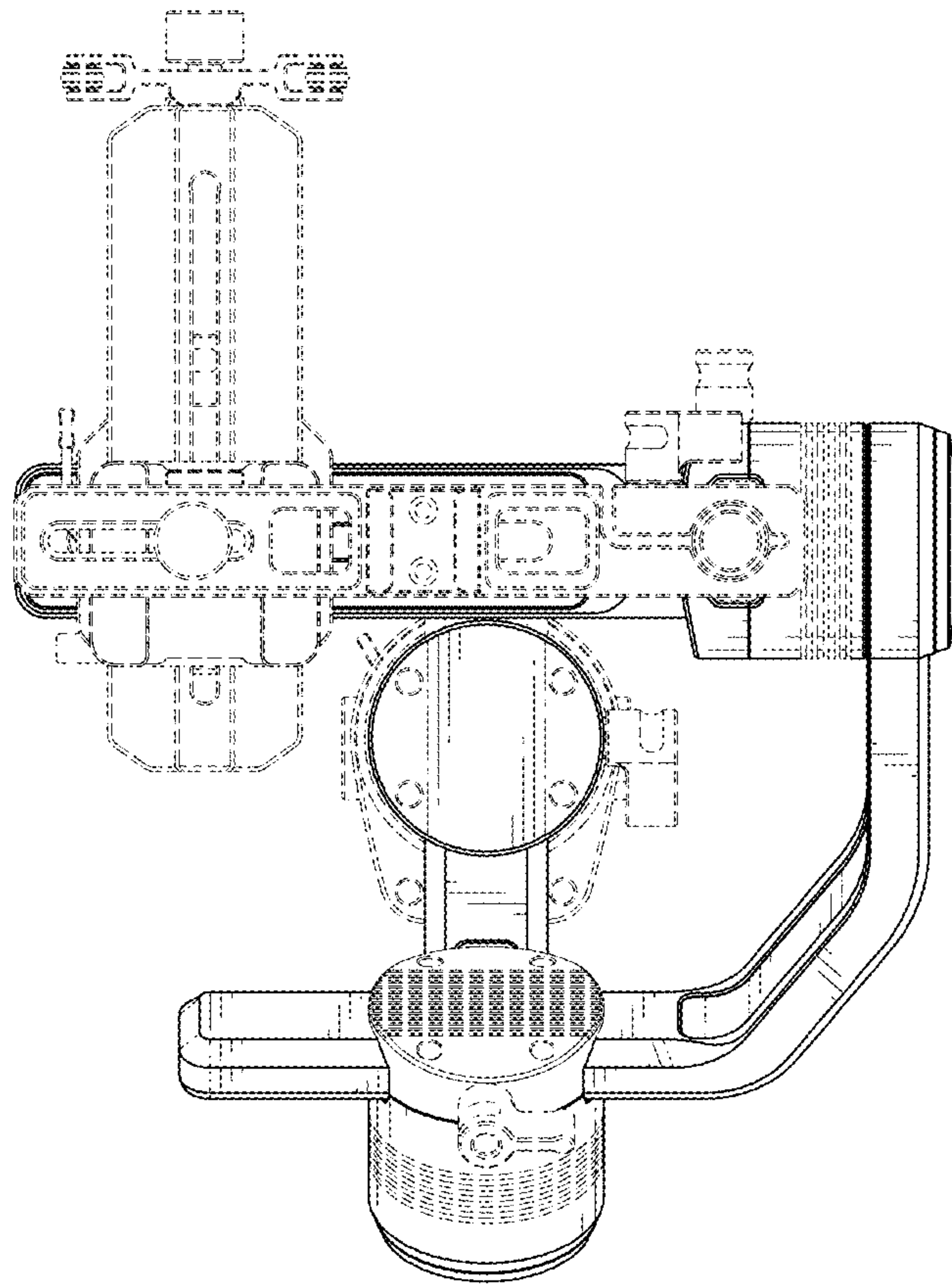


FIG. 7

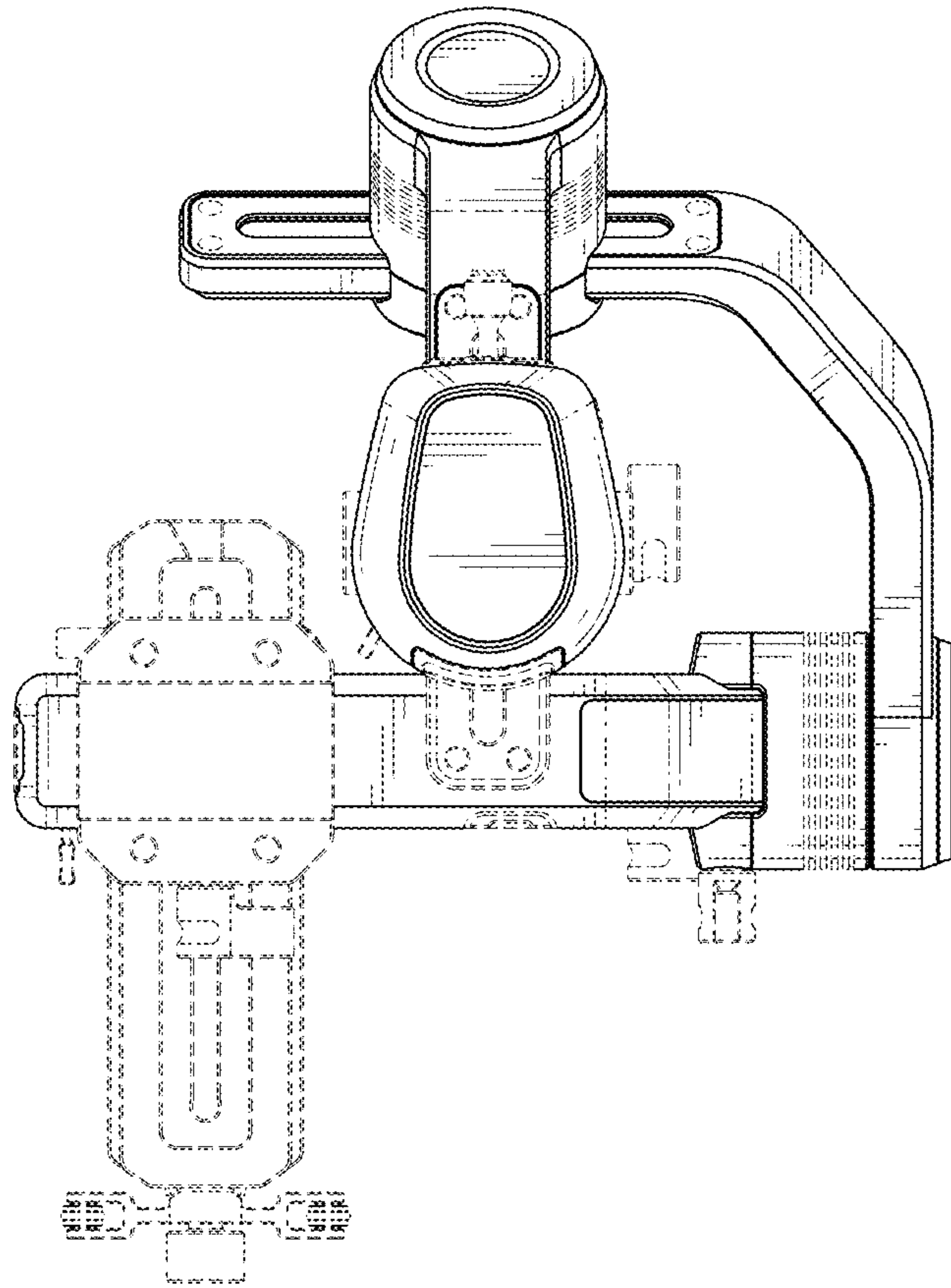


FIG. 8