

US00D926861S

(12) **United States Design Patent** (10) **Patent No.:** **US D926,861 S**  
**Cheung** (45) **Date of Patent:** **\*\* Aug. 3, 2021**

- (54) **GOLF GREEN CAMERA ASSEMBLY**
- (71) Applicant: **David Cheung**, Hong Kong (CN)
- (72) Inventor: **David Cheung**, Hong Kong (CN)
- (\*\*) Term: **15 Years**
- (21) Appl. No.: **29/727,113**
- (22) Filed: **Mar. 9, 2020**

*Primary Examiner* — Ramzi Almatrahi  
(74) *Attorney, Agent, or Firm* — Raymond A. Nuzzo

(57) **CLAIM**

The ornamental design for a golf green camera assembly, as shown and described.

**DESCRIPTION**

FIG. 1 is a perspective view of a first embodiment of a golf green camera assembly;  
 FIG. 2 is a front elevational view of the golf green camera assembly;  
 FIG. 3 is a rear elevational view of the golf green camera assembly;  
 FIG. 4 is a right side elevational view of the golf green camera assembly;  
 FIG. 5 is a left side elevational view of the golf green camera assembly;  
 FIG. 6 is a top plan view of the golf green camera assembly;  
 FIG. 7 is a bottom plan view of the golf green camera assembly;  
 FIG. 8 is a perspective view of a second embodiment of a golf green camera assembly;  
 FIG. 9 is a front elevational view of the golf green camera assembly of FIG. 8;  
 FIG. 10 is a rear elevational view of the golf green camera assembly of FIG. 8;  
 FIG. 11 is a right side elevational view of the golf green camera assembly of FIG. 8;  
 FIG. 12 is a left side elevational view of the golf green camera assembly of FIG. 8;  
 FIG. 13 is a top plan view of the golf green camera assembly of FIG. 8; and,  
 FIG. 14 is a bottom plan view of the golf green camera assembly of FIG. 8.  
 The broken lines depict portions of the golf green camera assembly in which the design is embodied that form no part of the claimed design.

**Related U.S. Application Data**

- (63) Continuation-in-part of application No. 16/371,843, filed on Apr. 1, 2019.
- (51) **LOC (13) Cl.** ..... **16-05**
- (52) **U.S. Cl.**  
USPC ..... **D16/219**; D16/242
- (58) **Field of Classification Search**  
USPC ..... D16/200, 202–206, 214–216, 218, 219, D16/229, 235, 239, 240, 242–245; D25/16; 52/27.5, 29, 36.1; 348/373–376; 396/2, 3, 5, 419, 424, 427, 396/429, 535, 539–541; 455/575.3  
CPC ..... G03B 15/00; G03B 15/03; G03B 15/06; G03B 17/02; G03B 17/04; G03B 17/53; G03B 17/56; G03B 19/04; H04N 5/2251; H04N 5/2252; H04N 5/2253; H04N 5/2254; H04N 2101/00  
See application file for complete search history.

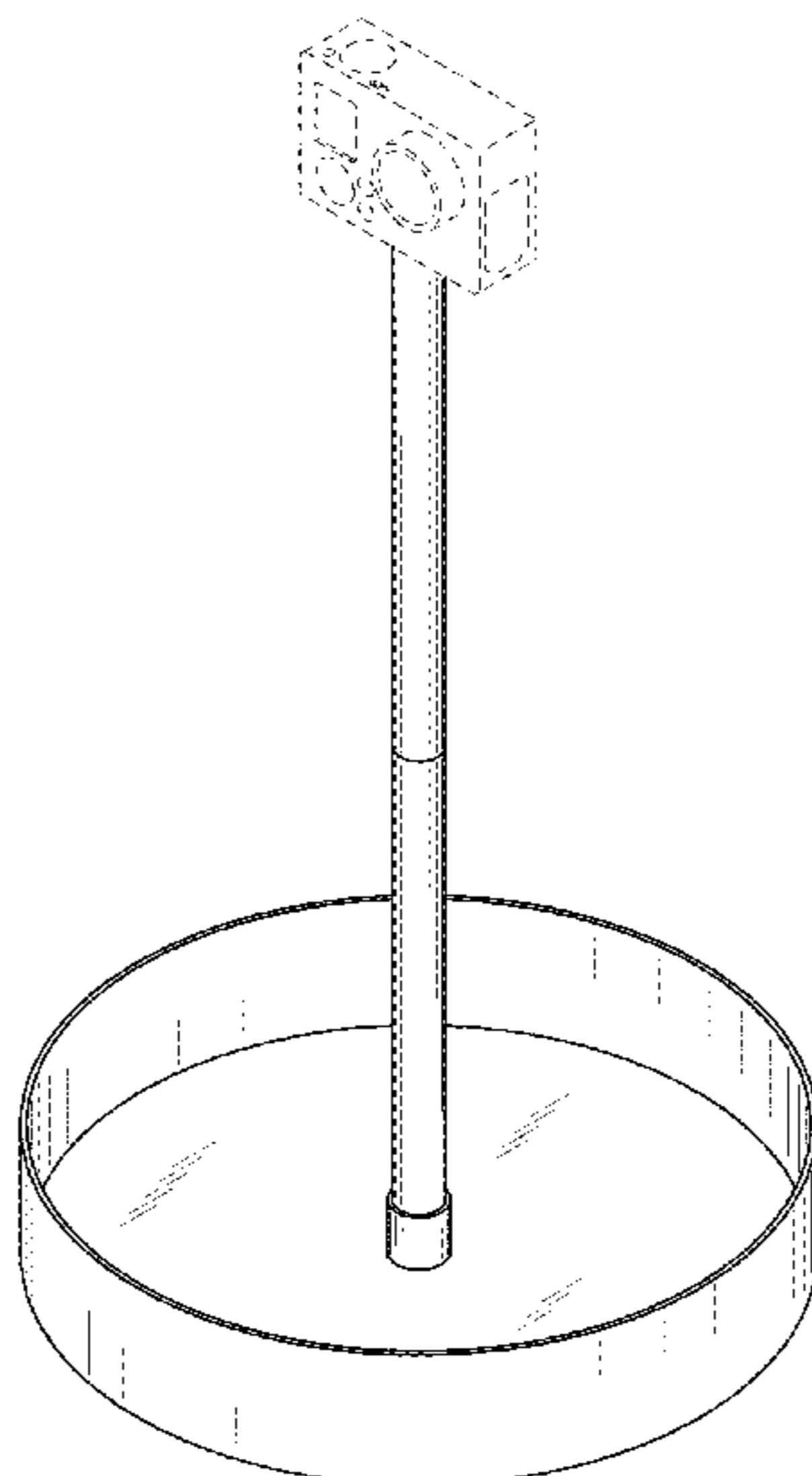
(56) **References Cited**

**U.S. PATENT DOCUMENTS**

5,884,913	A	3/1999	Cohen	
D590,000	S *	4/2009	Kellar	D16/219
D666,662	S *	9/2012	Runnals	D16/242
D721,757	S *	1/2015	Shepard	D16/214
D729,296	S *	5/2015	Shelton	D16/202
D754,775	S *	4/2016	Hayes	D16/242
D761,343	S *	7/2016	Schmidt	D16/242

(Continued)

**1 Claim, 12 Drawing Sheets**



(56)

**References Cited**

U.S. PATENT DOCUMENTS

D765,649 S \* 9/2016 Huang ..... D14/253  
D765,650 S \* 9/2016 Huang ..... D14/253  
D775,684 S \* 1/2017 Jacob ..... F16M 11/041  
D16/242  
D780,248 S \* 2/2017 Anari, III ..... D16/242  
D791,215 S \* 7/2017 Schmidt ..... D16/242  
D798,365 S \* 9/2017 Glazer ..... D16/242  
D819,713 S \* 6/2018 Pickett ..... D16/202  
D824,986 S \* 8/2018 Bartram ..... D16/214  
2008/0300064 A1 12/2008 Priegel  
2009/0305803 A1 12/2009 Reid  
2011/0086719 A1 4/2011 Long  
2012/0190468 A1 7/2012 Long  
2014/0267596 A1 9/2014 Geerds  
2015/0195637 A1 7/2015 Pawlan

\* cited by examiner

FIG. 1

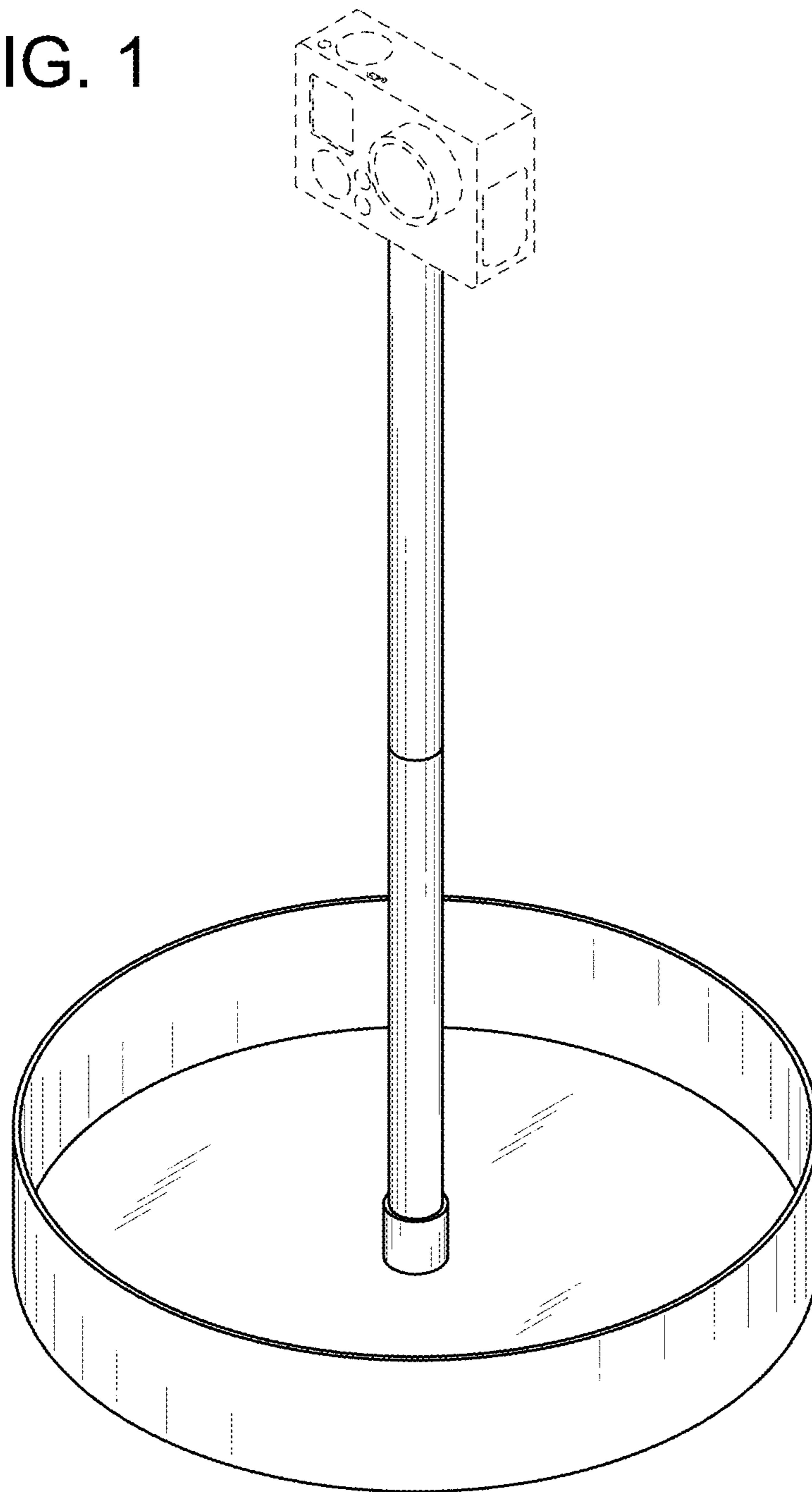


FIG. 2

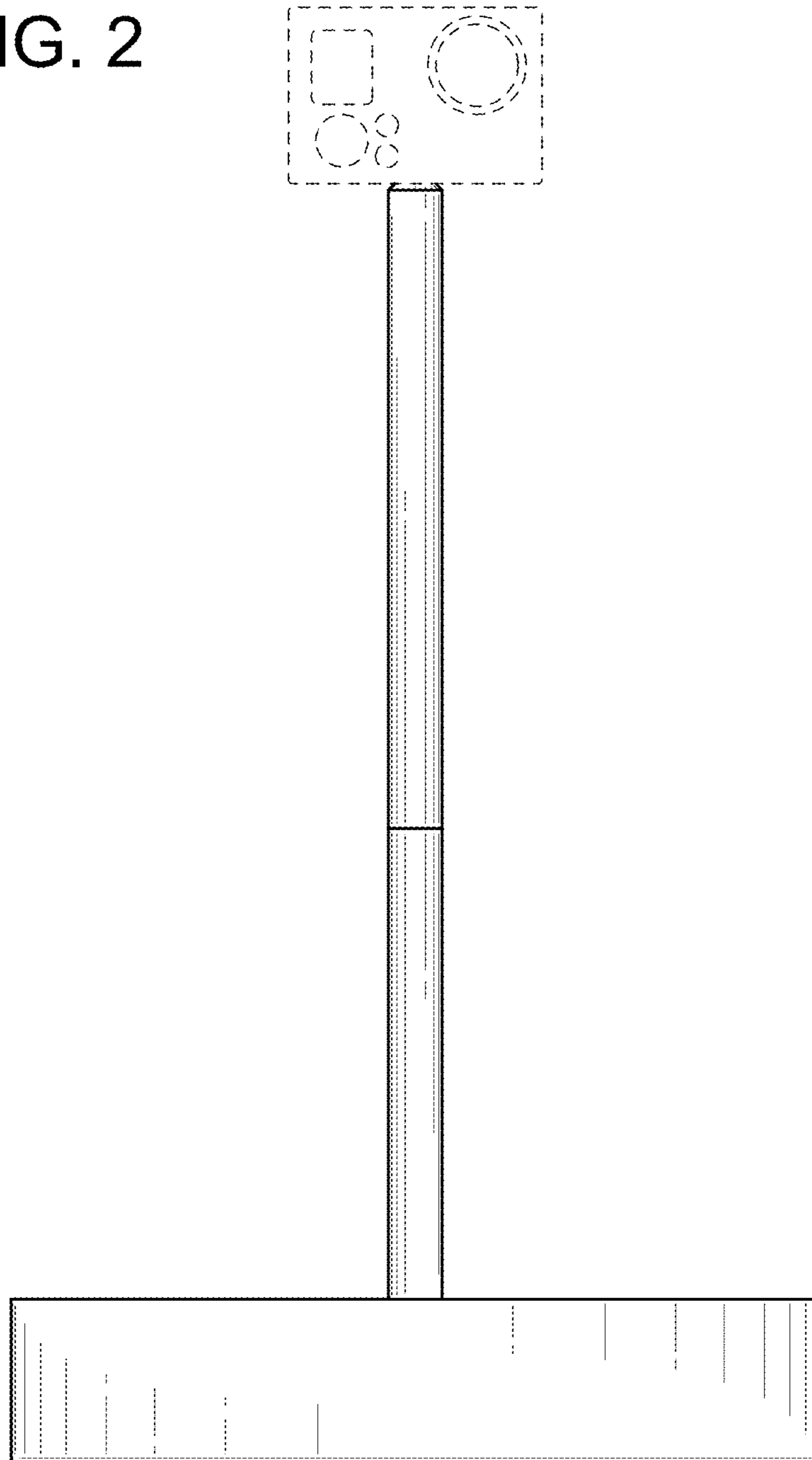


FIG. 3

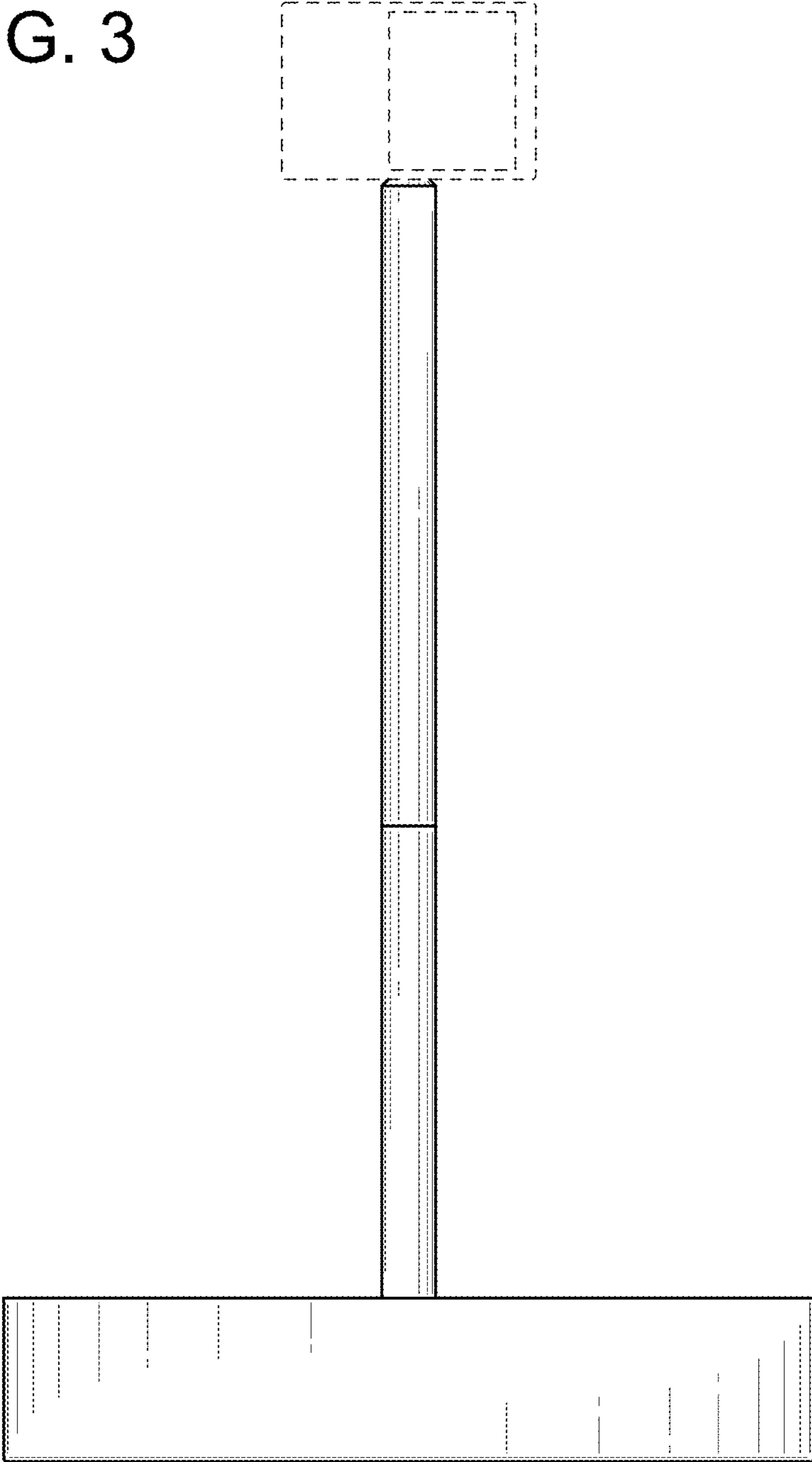


FIG. 4

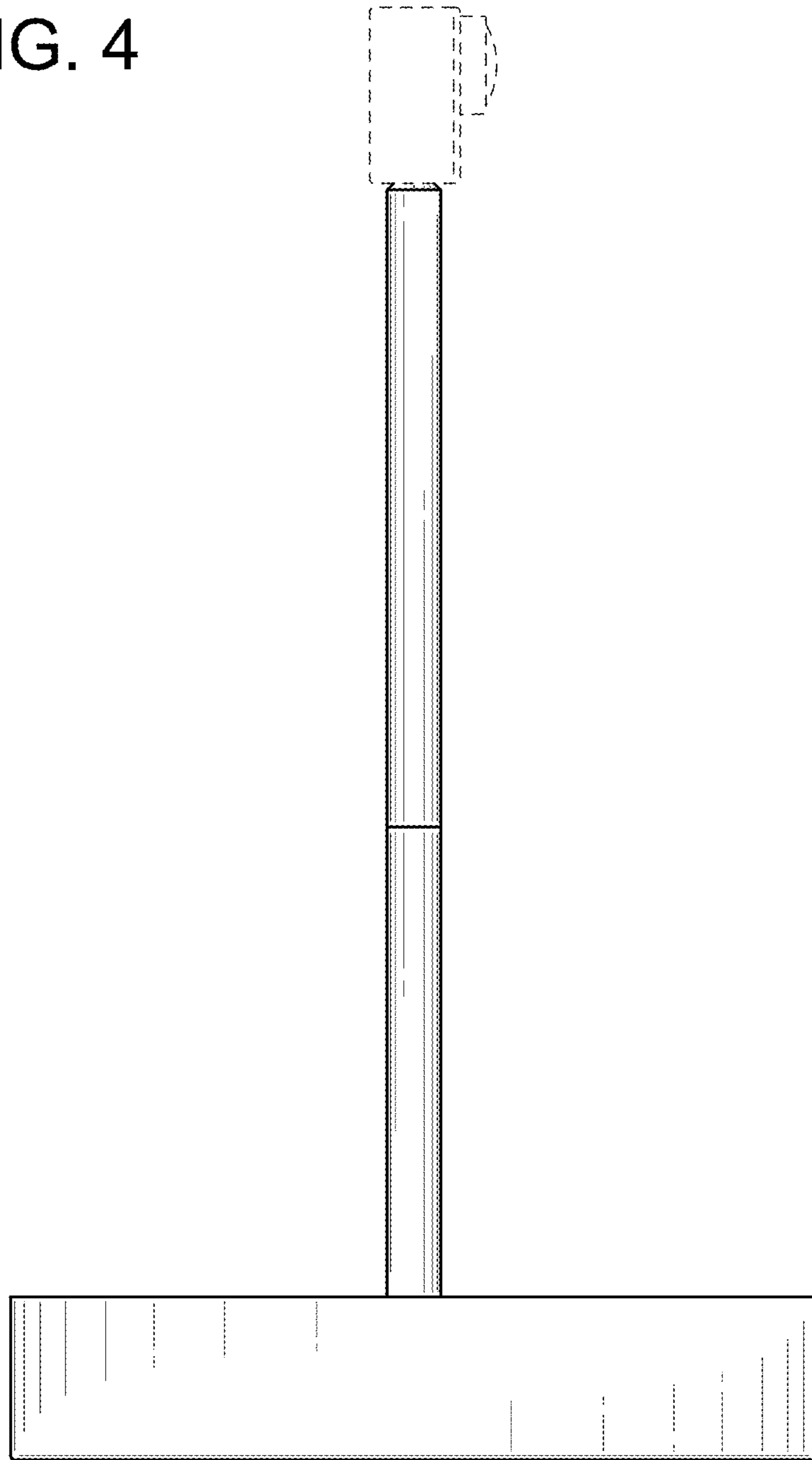


FIG. 5

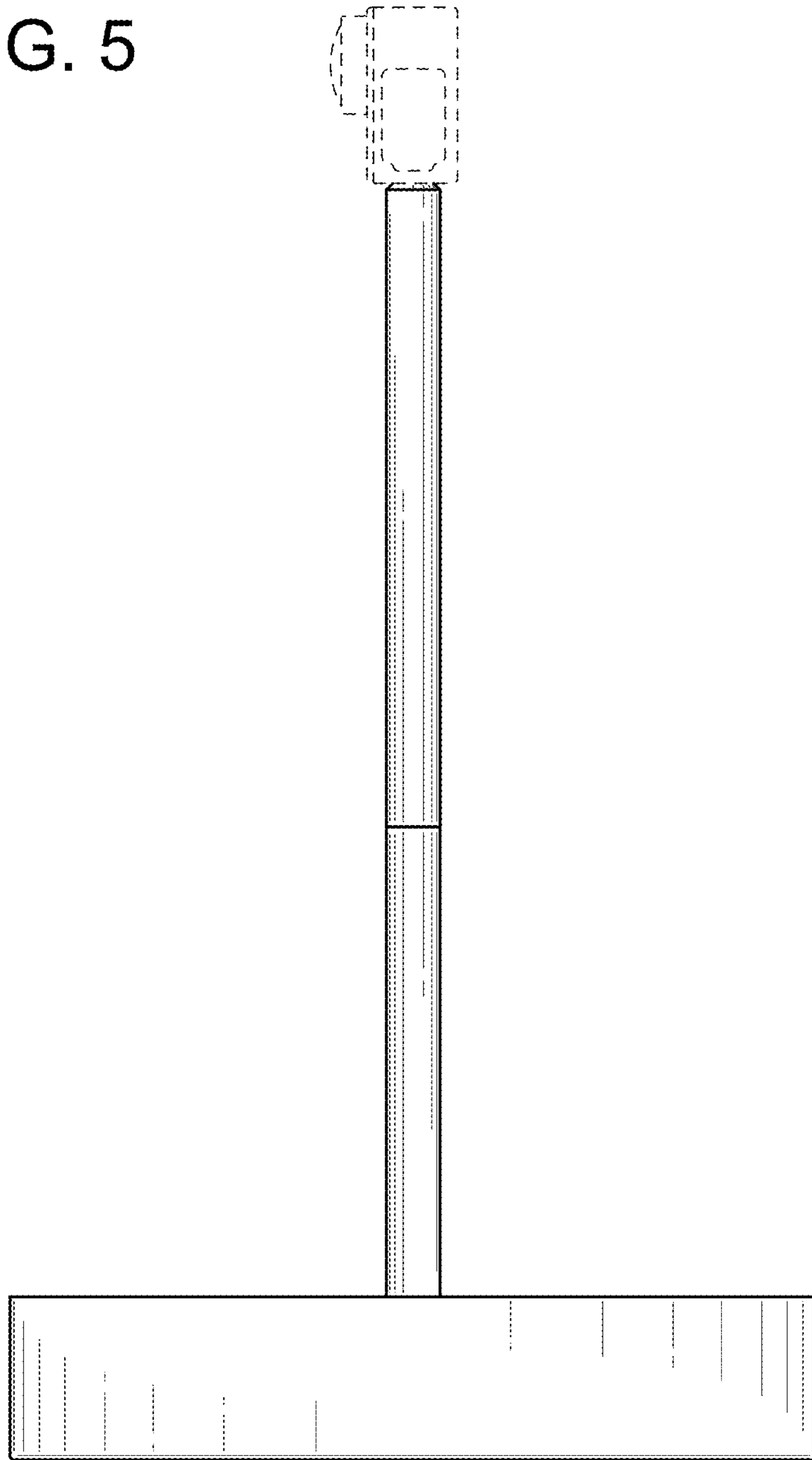


FIG. 6

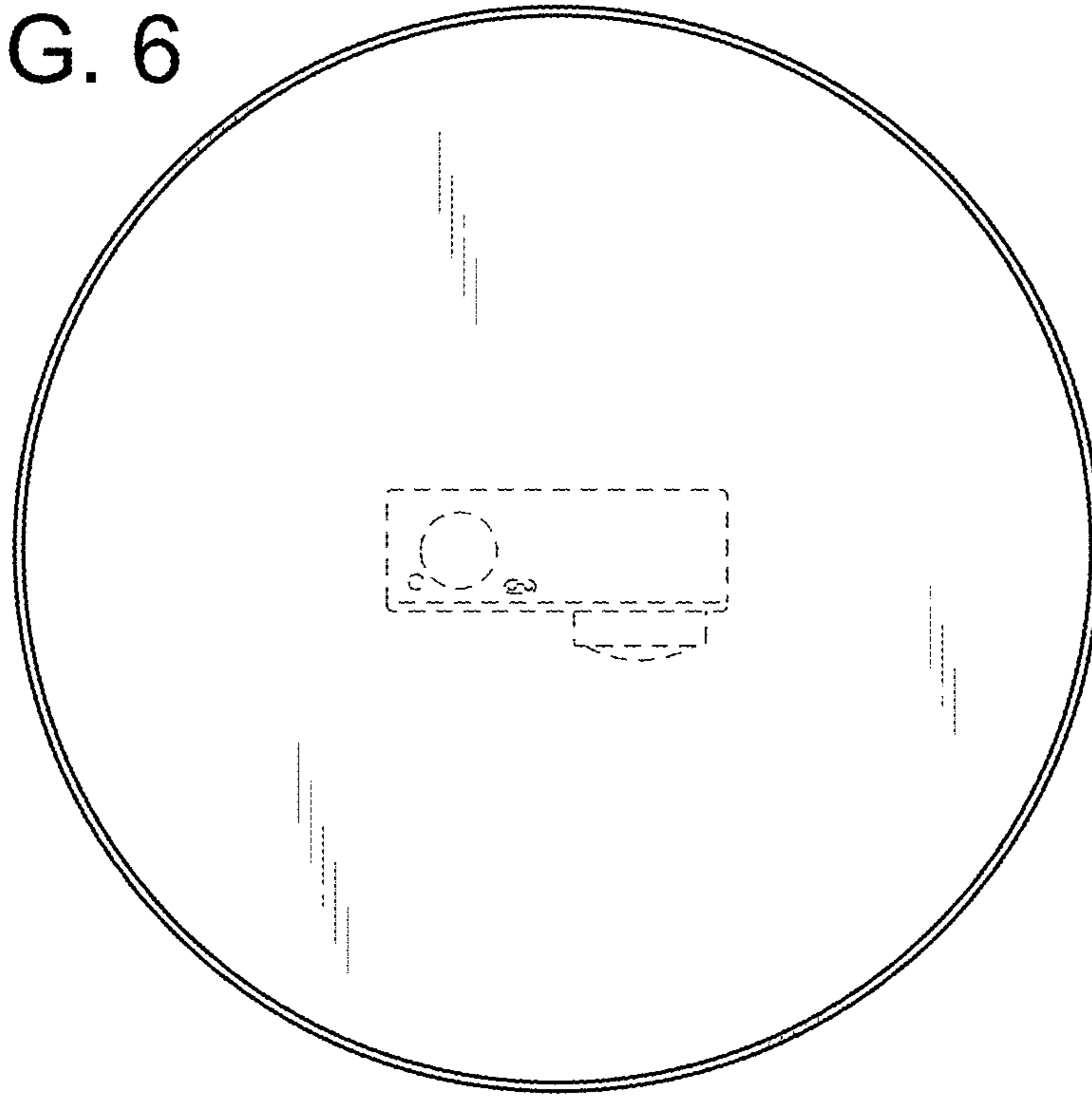


FIG. 7

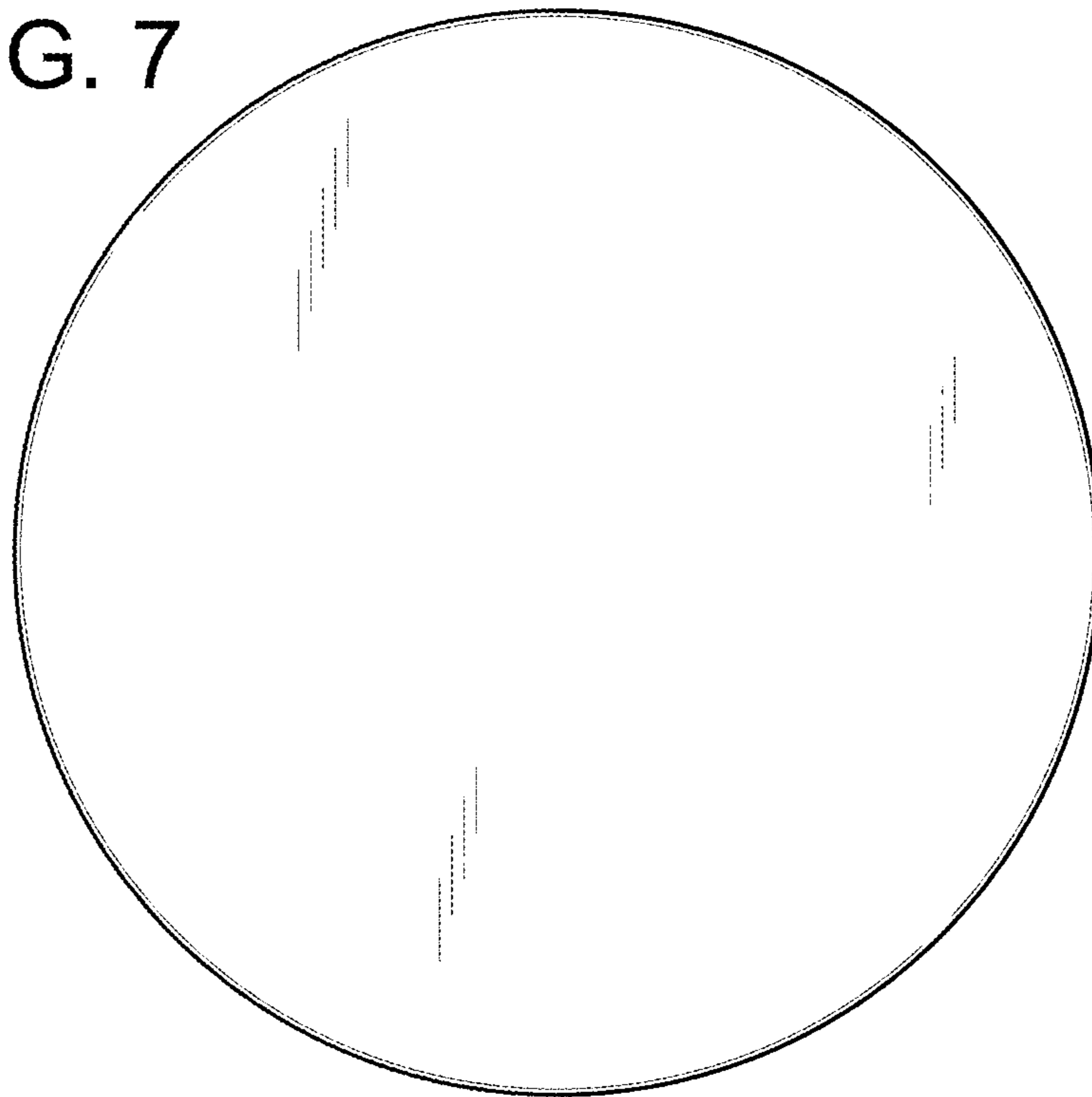




FIG. 8

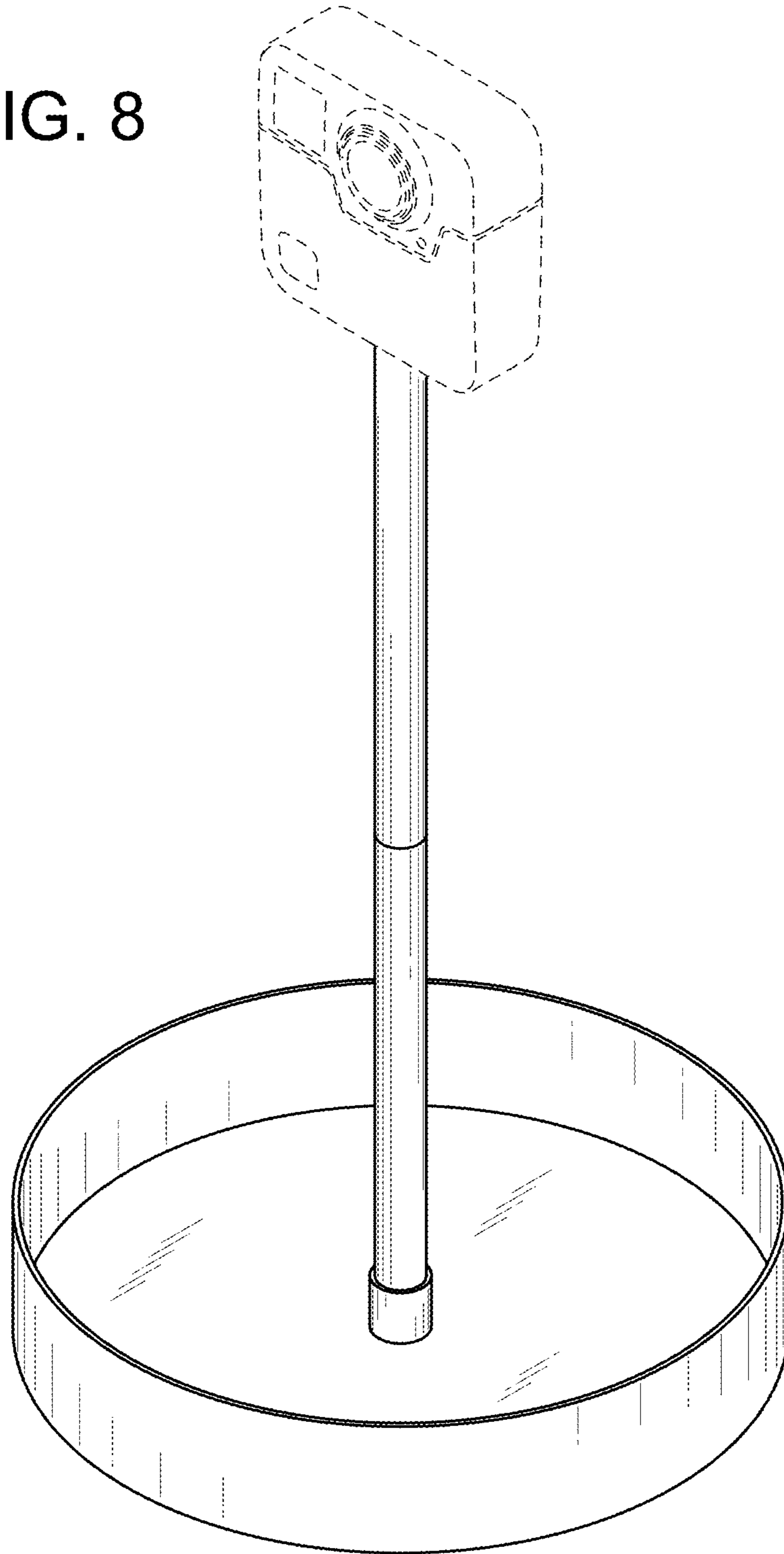


FIG. 9

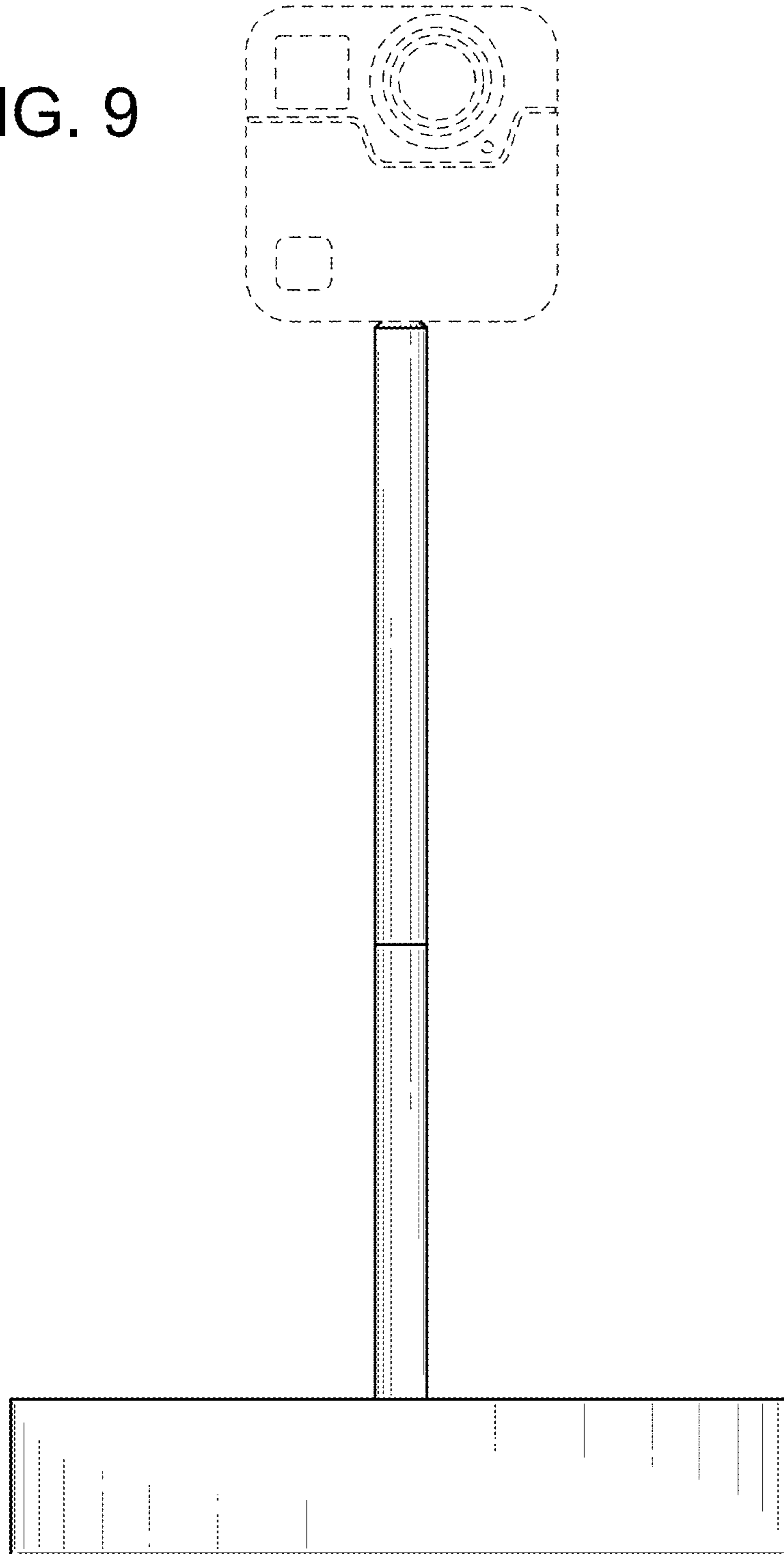


FIG. 10

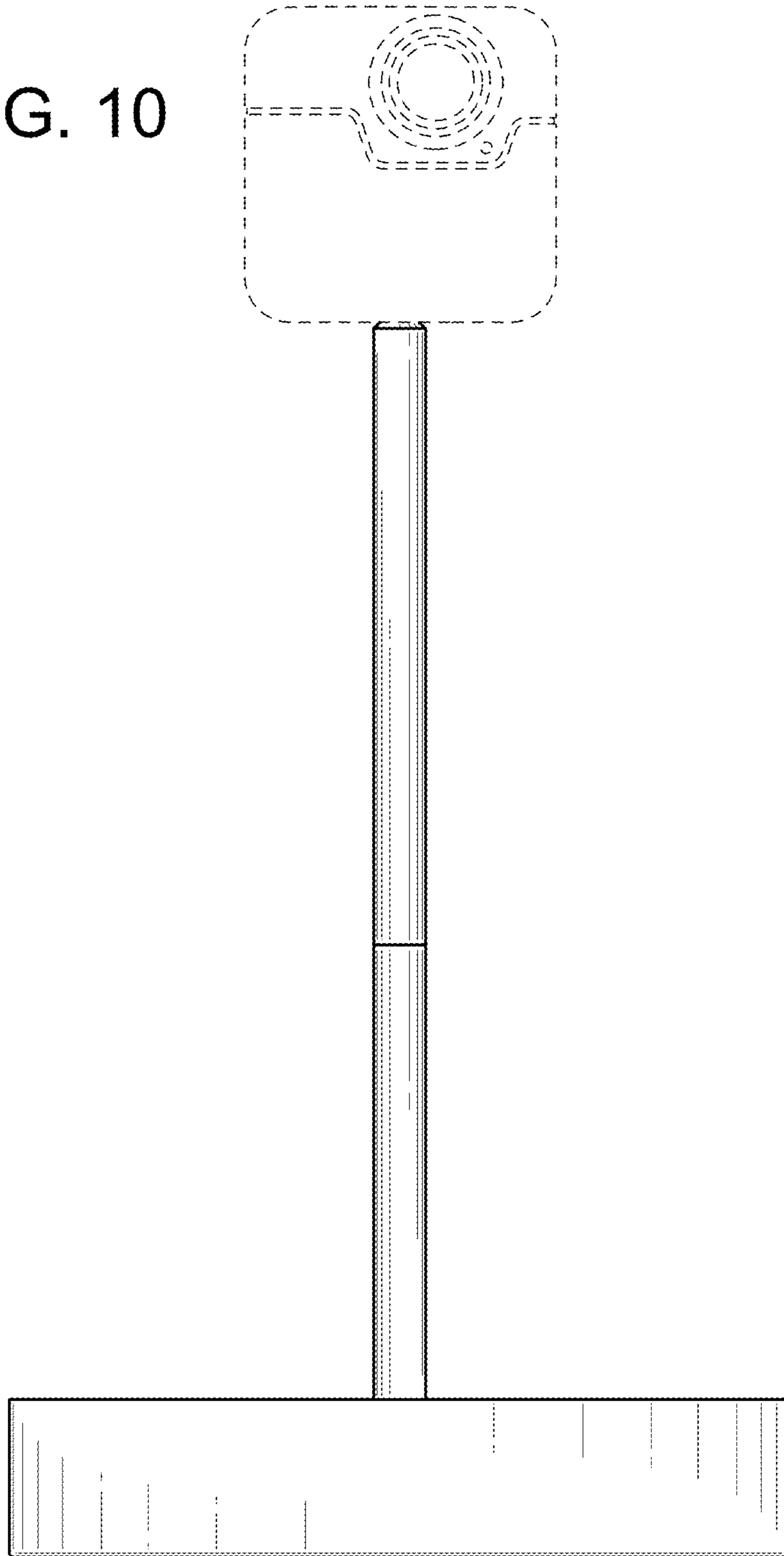


FIG. 11

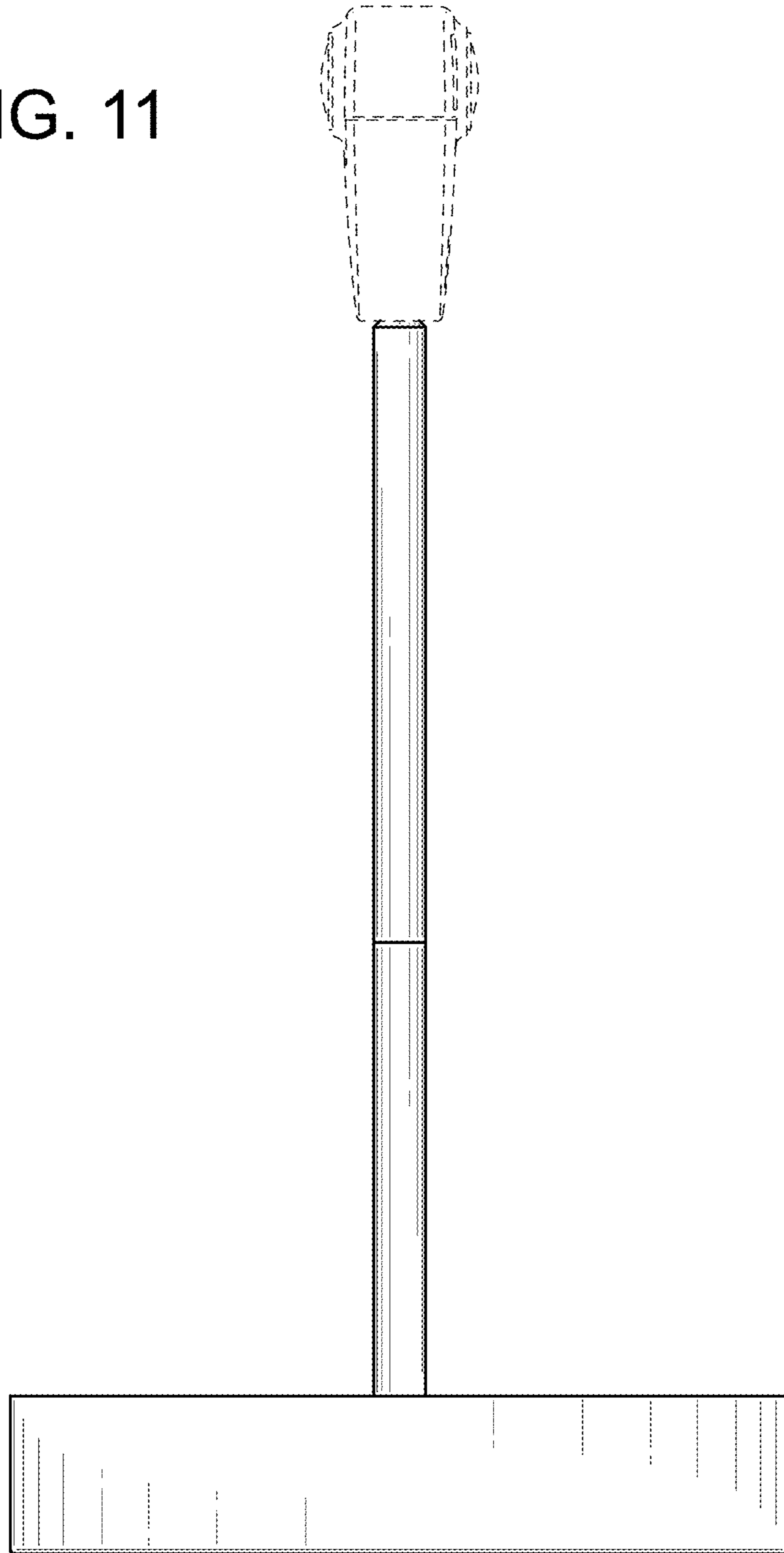


FIG. 12

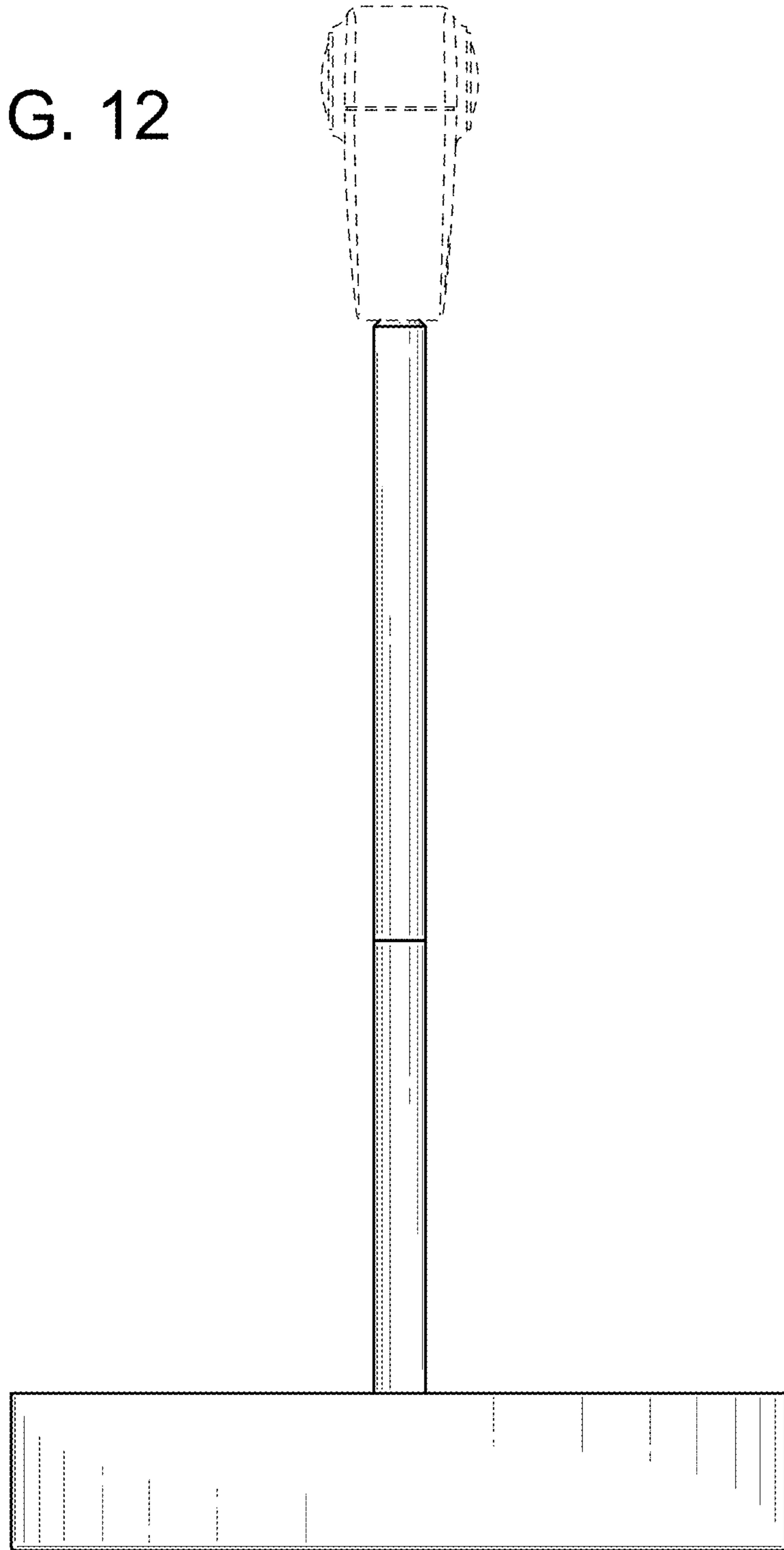


FIG. 13

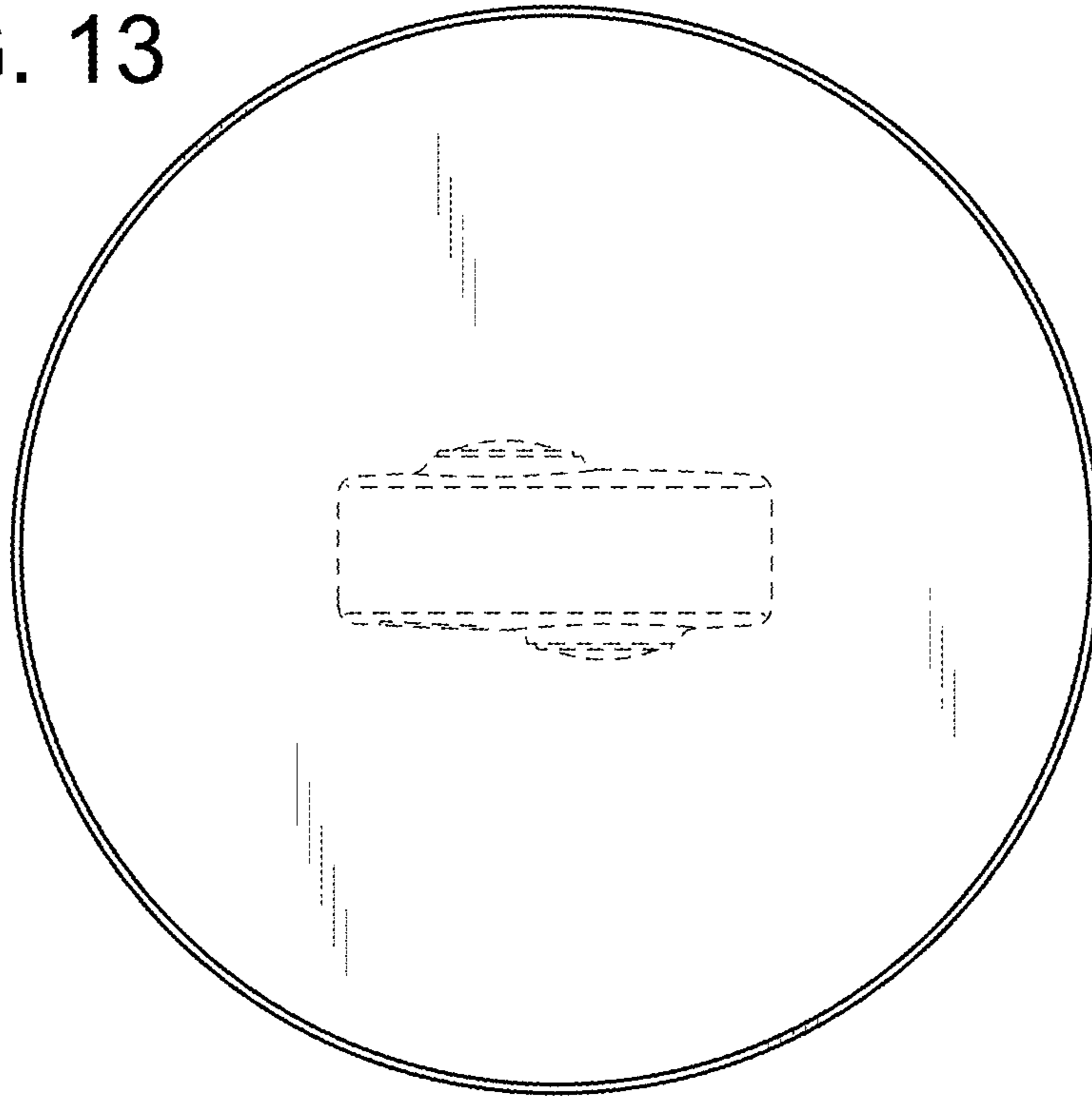


FIG. 14

