



US00D926859S

(12) **United States Design Patent** (10) **Patent No.:** **US D926,859 S**
Marzette, Jr. et al. (45) **Date of Patent:** **** Aug. 3, 2021**

- (54) **THERMAL IMAGER**
- (71) Applicant: **Fluke Corporation**, Everett, WA (US)
- (72) Inventors: **Charles E. Marzette, Jr.**, Kirkland, WA (US); **Timothy J. Kesti**, Otsego, MN (US)
- (73) Assignee: **Fluke Corporation**, Everett, WA (US)
- (**) Term: **15 Years**
- (21) Appl. No.: **29/771,862**
- (22) Filed: **Feb. 25, 2021**

Related U.S. Application Data

- (62) Division of application No. 29/751,818, filed on Sep. 23, 2020, now Pat. No. Des. 913,354, which is a division of application No. 29/718,767, filed on Dec. 27, 2019, now Pat. No. Des. 897,404, which is a division of application No. 29/646,515, filed on May 4, 2018, now Pat. No. Des. 874,544.
- (51) **LOC (13) Cl.** **16-01**
- (52) **U.S. Cl.**
USPC **D16/218; D16/206**
- (58) **Field of Classification Search**
USPC D16/200, 202–206, 218, 219, 242;
348/143, 148, 151, 164, 373–376;
396/419, 427, 535, 539–541
CPC G03B 17/02; G03B 19/04; G03B 17/56;
G03B 17/04; G03B 15/03; H04N 5/2251;
H04N 5/2252; H04N 5/2253; H04N
5/2254; H04N 7/181; H04N 7/183; H04N
7/18; G08B 13/1963; G08B 13/19619;
G08B 13/19632
See application file for complete search history.

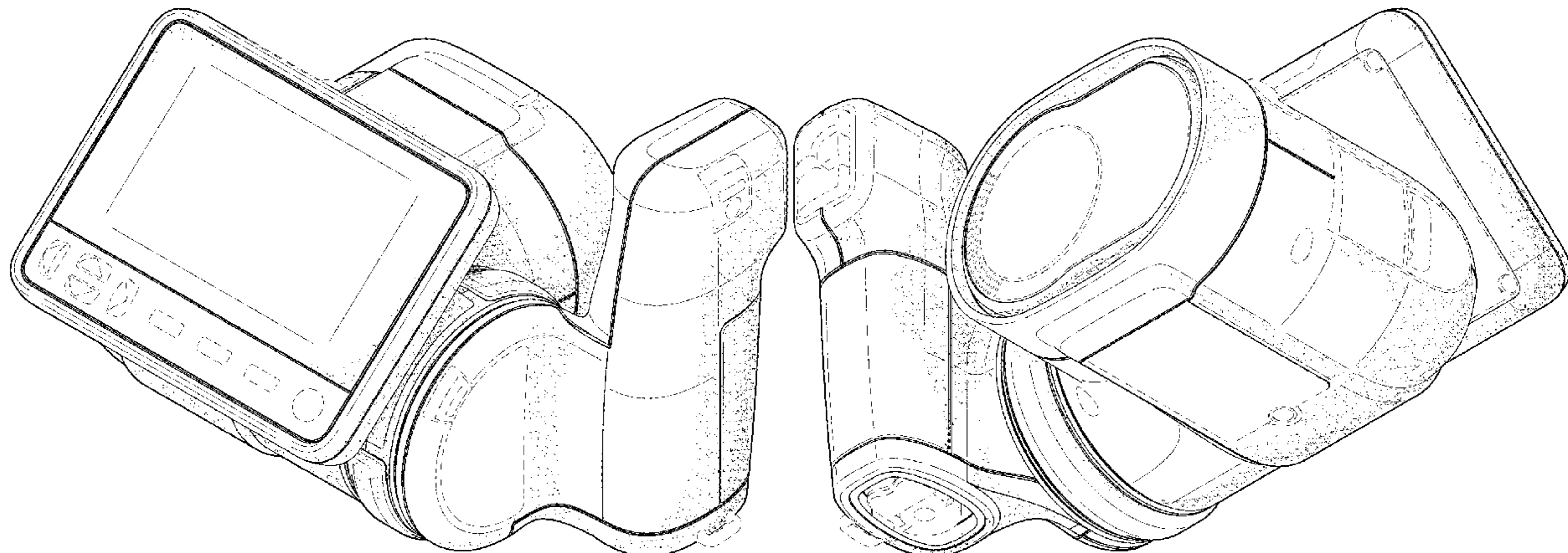
- (56) **References Cited**
U.S. PATENT DOCUMENTS
D426,248 S 6/2000 Sumita
D472,911 S 4/2003 Bielefeld
D479,548 S 9/2003 Bielefeld
D500,068 S 12/2004 Hayashi
D579,475 S 10/2008 Aronsson
D598,038 S 8/2009 Takahashi
7,648,291 B2 1/2010 Laganas et al.
D665,004 S 8/2012 Löfgren
D671,583 S 11/2012 Sakai
D699,776 S 2/2014 Li
D701,926 S 4/2014 Takahashi et al.
D713,439 S 9/2014 Zhang
D718,801 S 12/2014 Zetterlund
D744,578 S 12/2015 Zhan
D747,391 S 1/2016 Sakai
D753,208 S 4/2016 Elrod et al.
D758,468 S 6/2016 Darty et al.
(Continued)

Primary Examiner — Ramzi S Almatrahi
(74) *Attorney, Agent, or Firm* — Seed Intellectual Property Law Group LLP

(57) **CLAIM**
The ornamental design for a thermal imager, as shown and described.

DESCRIPTION
FIG. 1 is a top, front and right side perspective view of a thermal imager showing our new design.
FIG. 2 is a bottom, rear and left side perspective view thereof.
FIG. 3 is a front elevation view thereof.
FIG. 4 is a right side elevation view thereof.
FIG. 5 is a left side elevation view thereof.
FIG. 6 is a top plan view thereof.
FIG. 7 is a bottom plan view thereof; and,
FIG. 8 is a rear elevation view thereof.
The broken lines depict portions of the thermal imager in which the design is embodied that form no part of the claimed design.

1 Claim, 8 Drawing Sheets



(56)

References Cited

U.S. PATENT DOCUMENTS

| | | | |
|-----------------|---------|--------------------------|---------|
| D797,838 S | 9/2017 | Gratzki et al. | |
| D817,377 S | 5/2018 | Nichol et al. | |
| D835,698 S | 12/2018 | Darty et al. | |
| D849,087 S | 5/2019 | Li | |
| D849,105 S | 5/2019 | Högstedt et al. | |
| D862,559 S | 10/2019 | Johansson et al. | |
| D865,835 S | 11/2019 | Fidler | |
| D865,836 S | 11/2019 | Puusaari | |
| D868,868 S | 12/2019 | Heyden | |
| D907,090 S * | 1/2021 | Zheng | D16/202 |
| D907,097 S * | 1/2021 | Suurmeijer | D16/206 |
| D907,099 S * | 1/2021 | Swartzendruber, Jr. | D16/218 |
| D907,100 S * | 1/2021 | Larsen | D16/218 |
| D910,105 S * | 2/2021 | Lin | D16/202 |
| 2003/0001960 A9 | 1/2003 | Kato et al. | |
| 2013/0038769 A1 | 2/2013 | Xiaoping | |

* cited by examiner

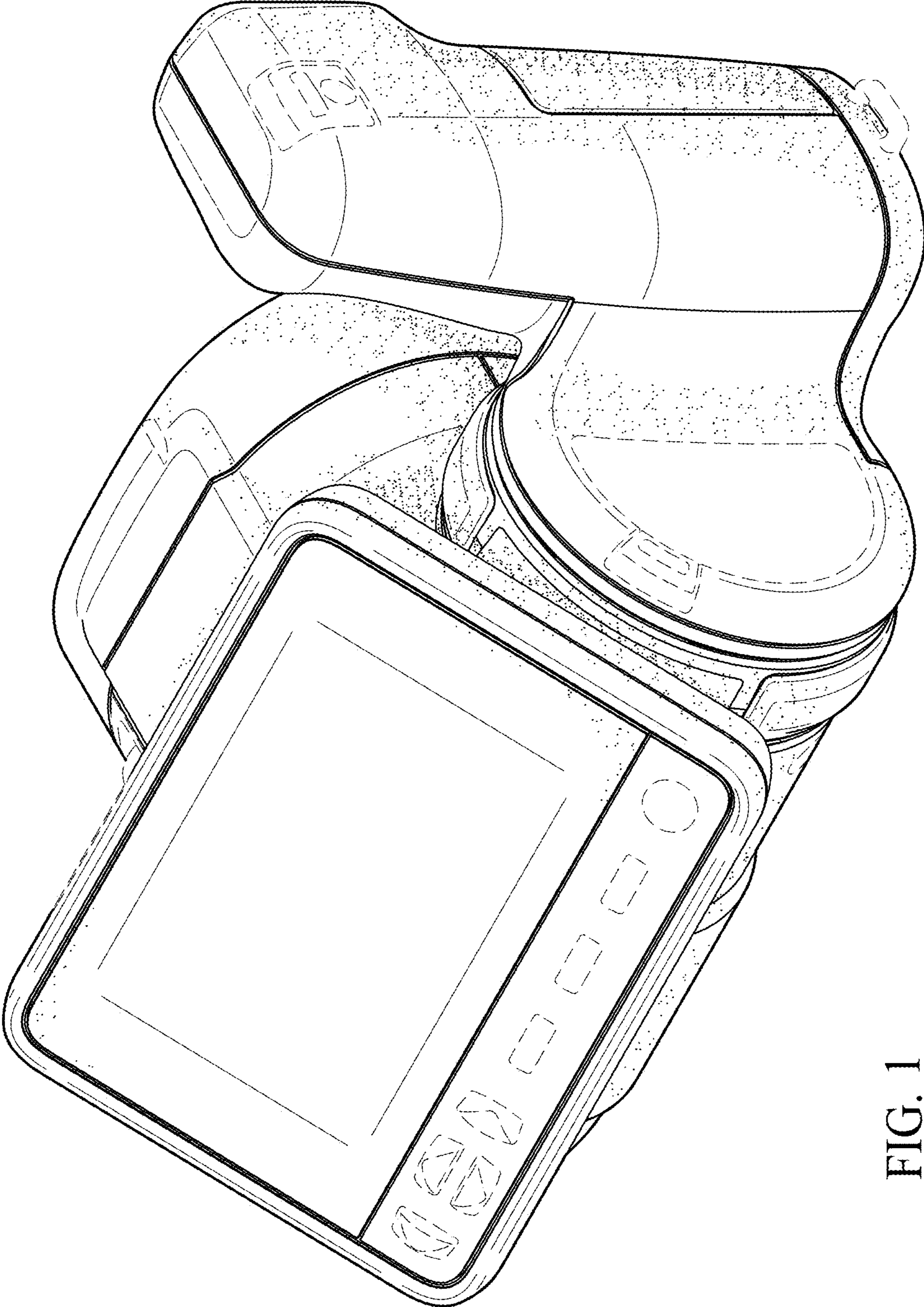


FIG. 1

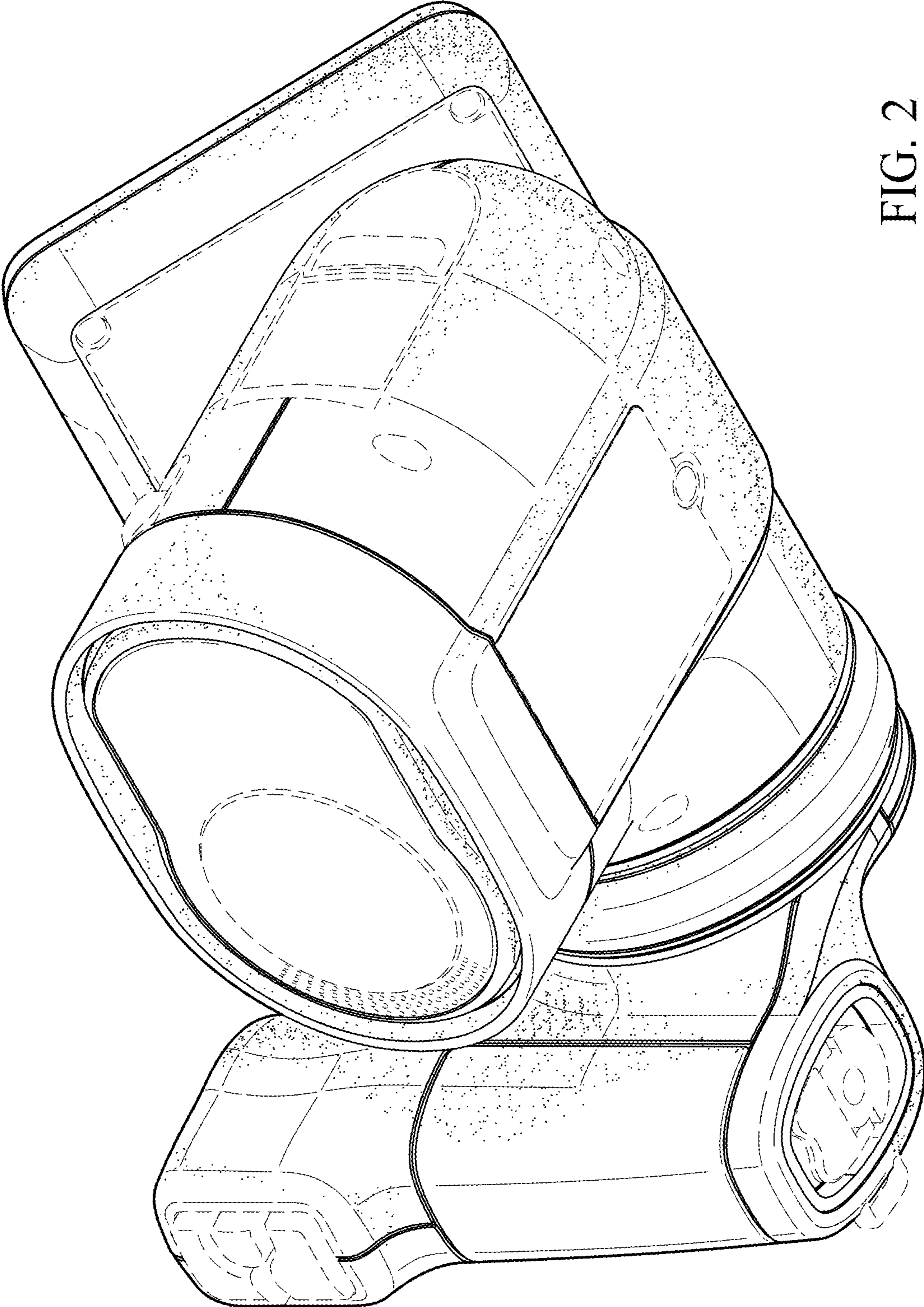


FIG. 2

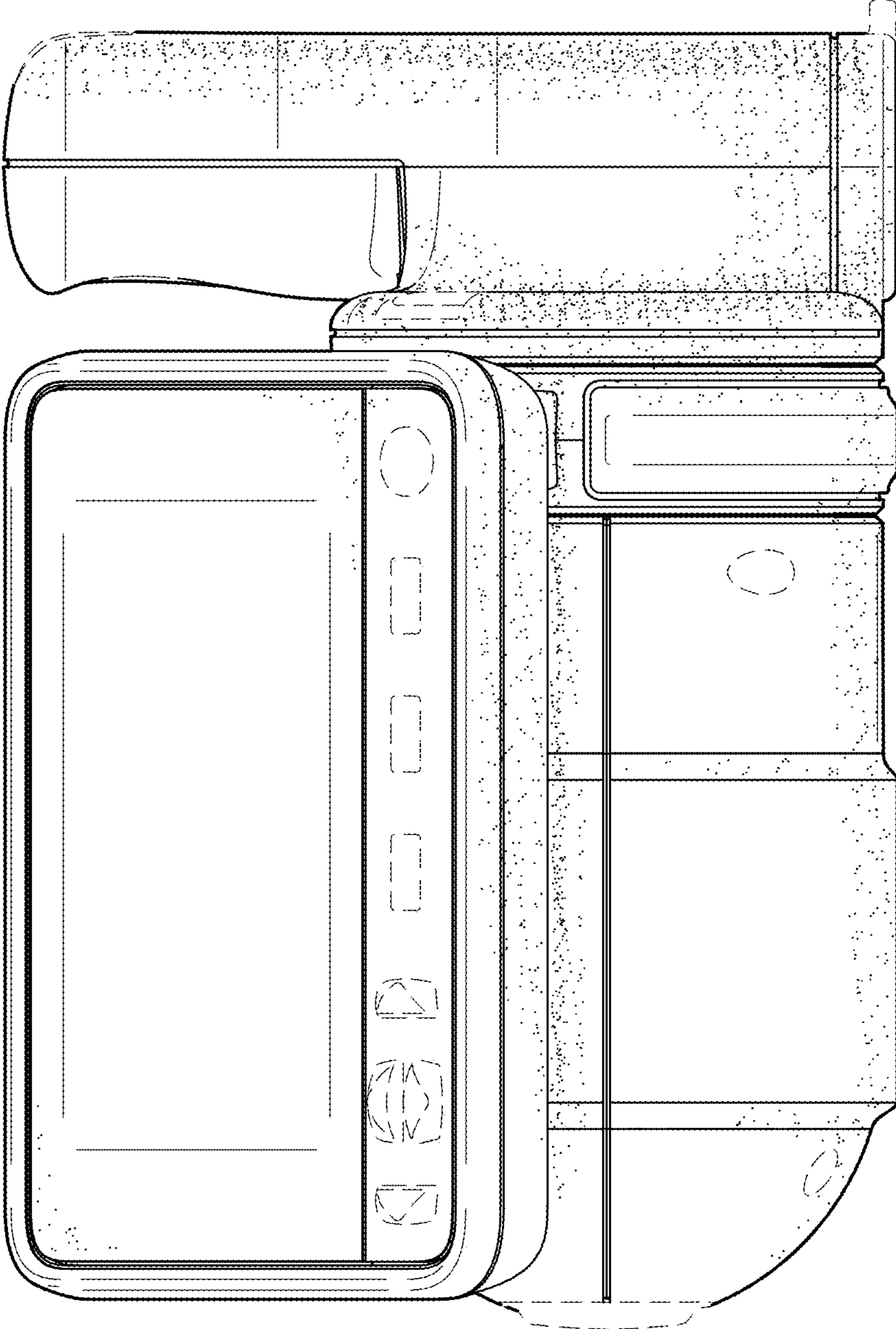


FIG. 3

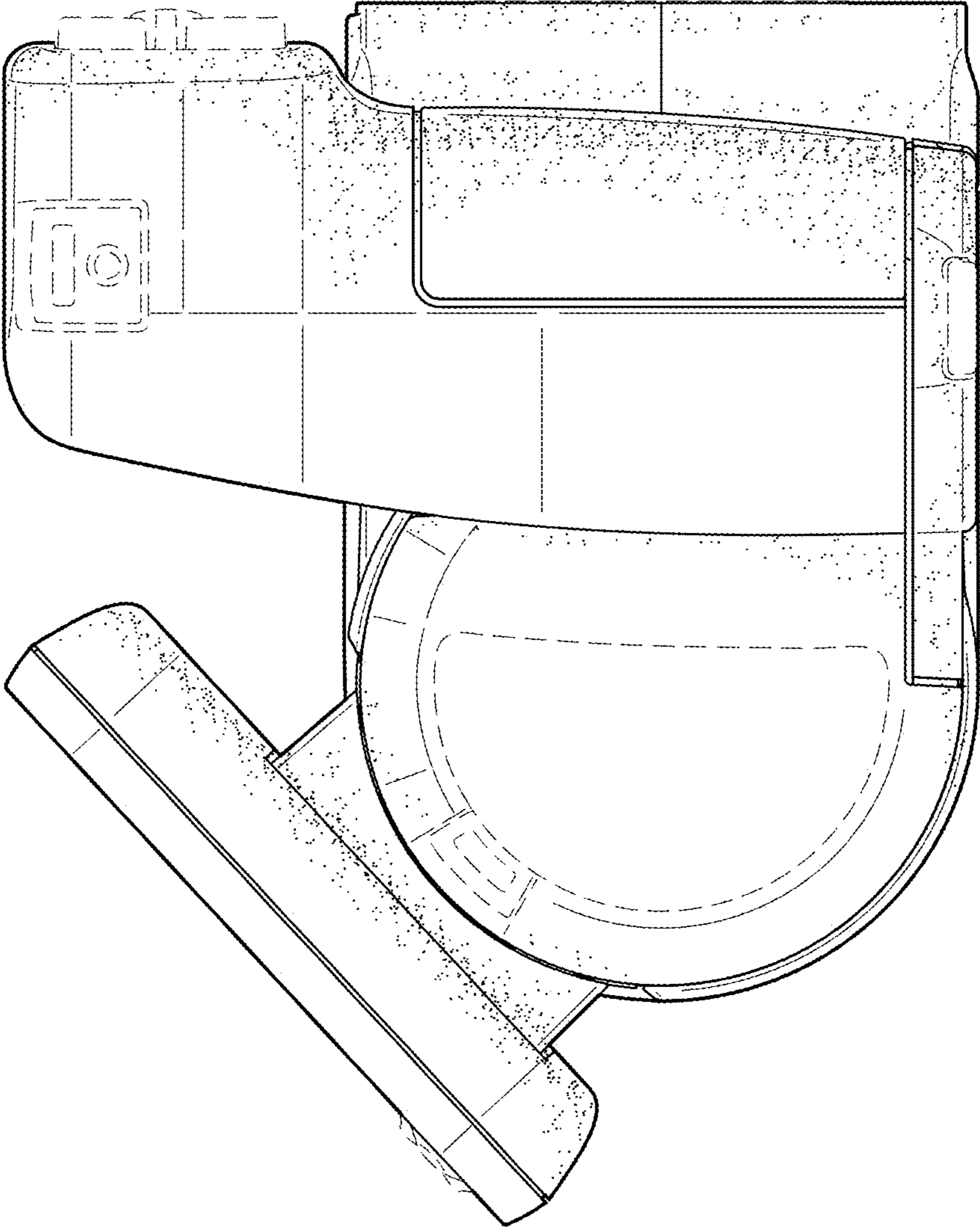


FIG. 4

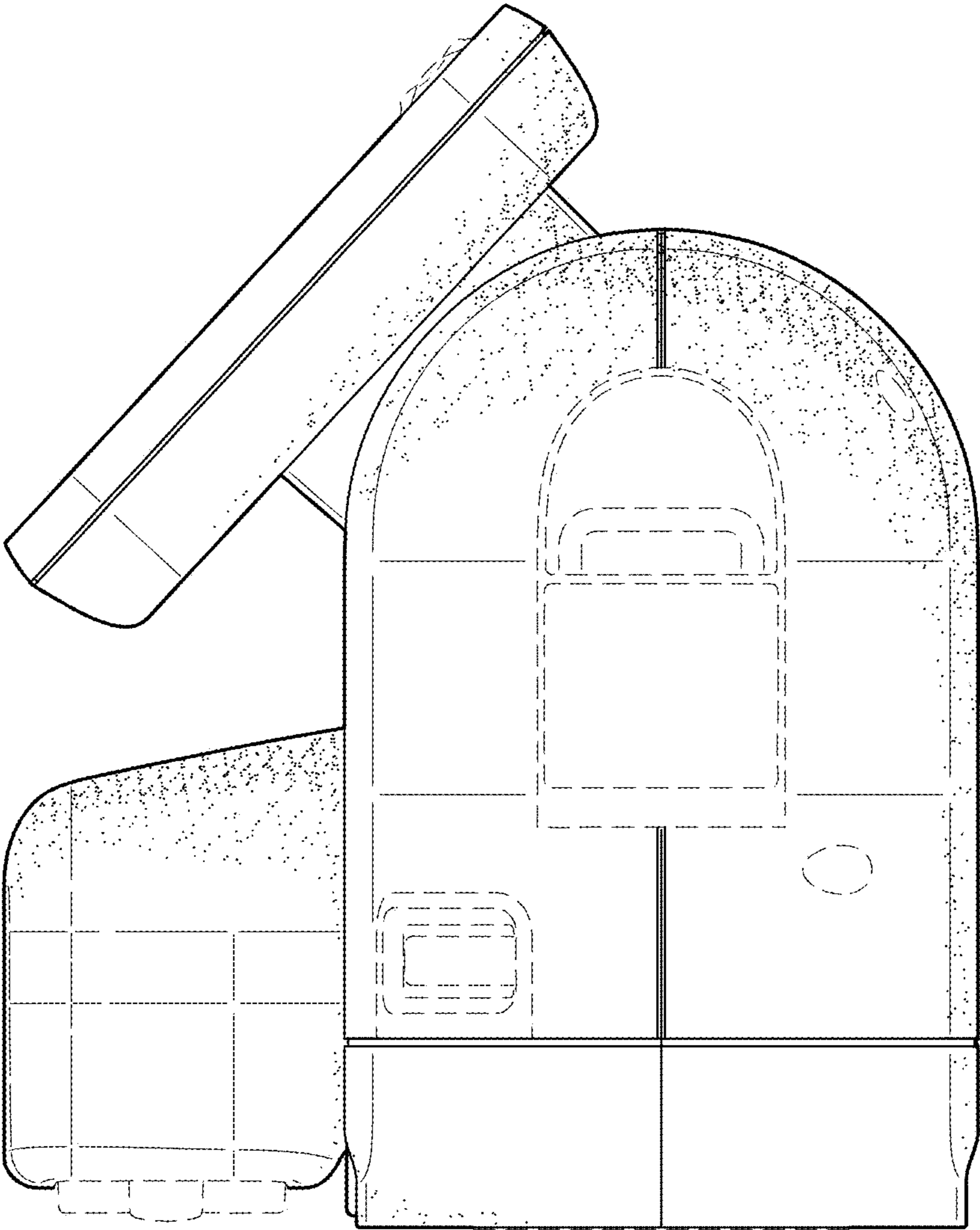


FIG. 5

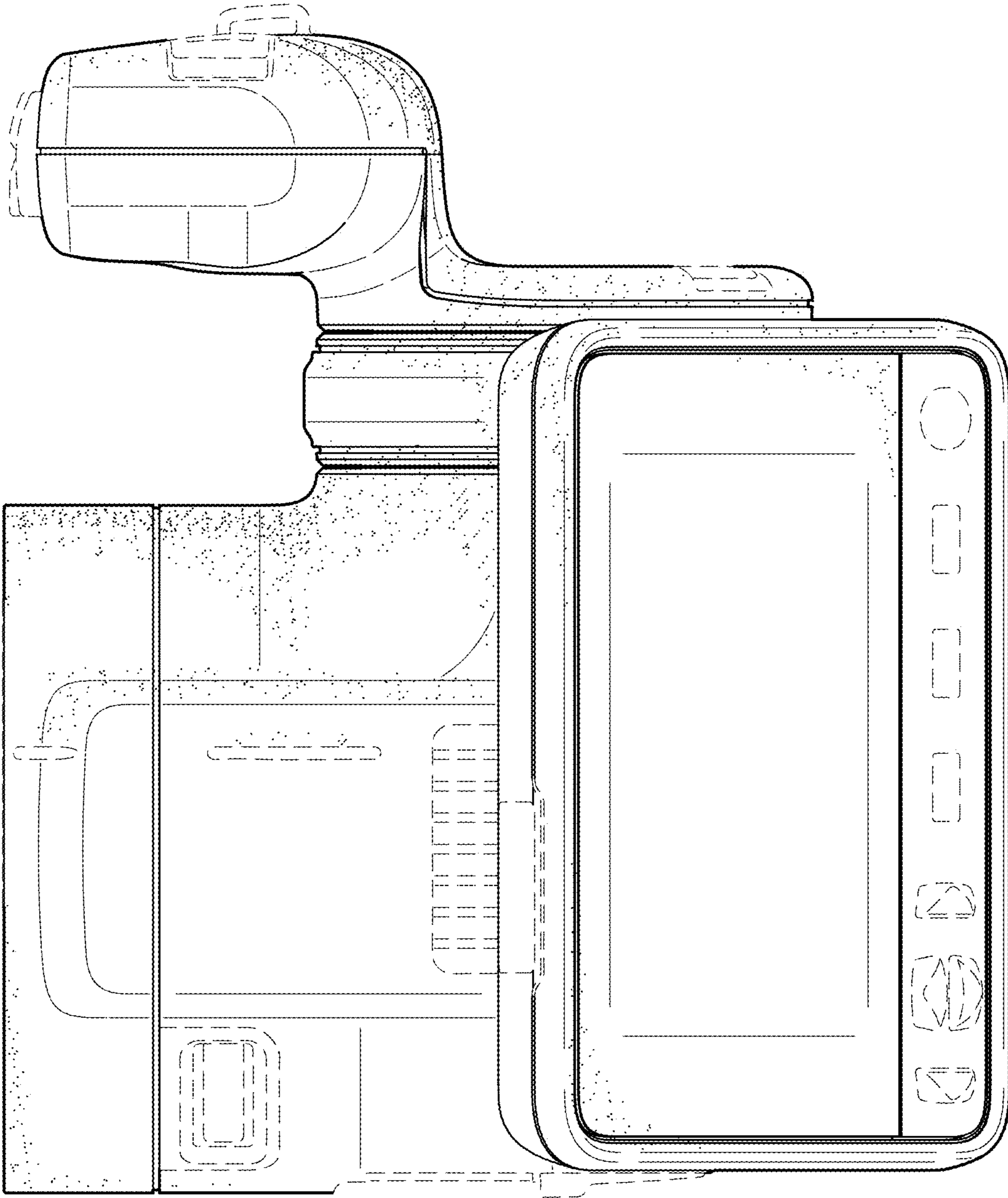


FIG. 6

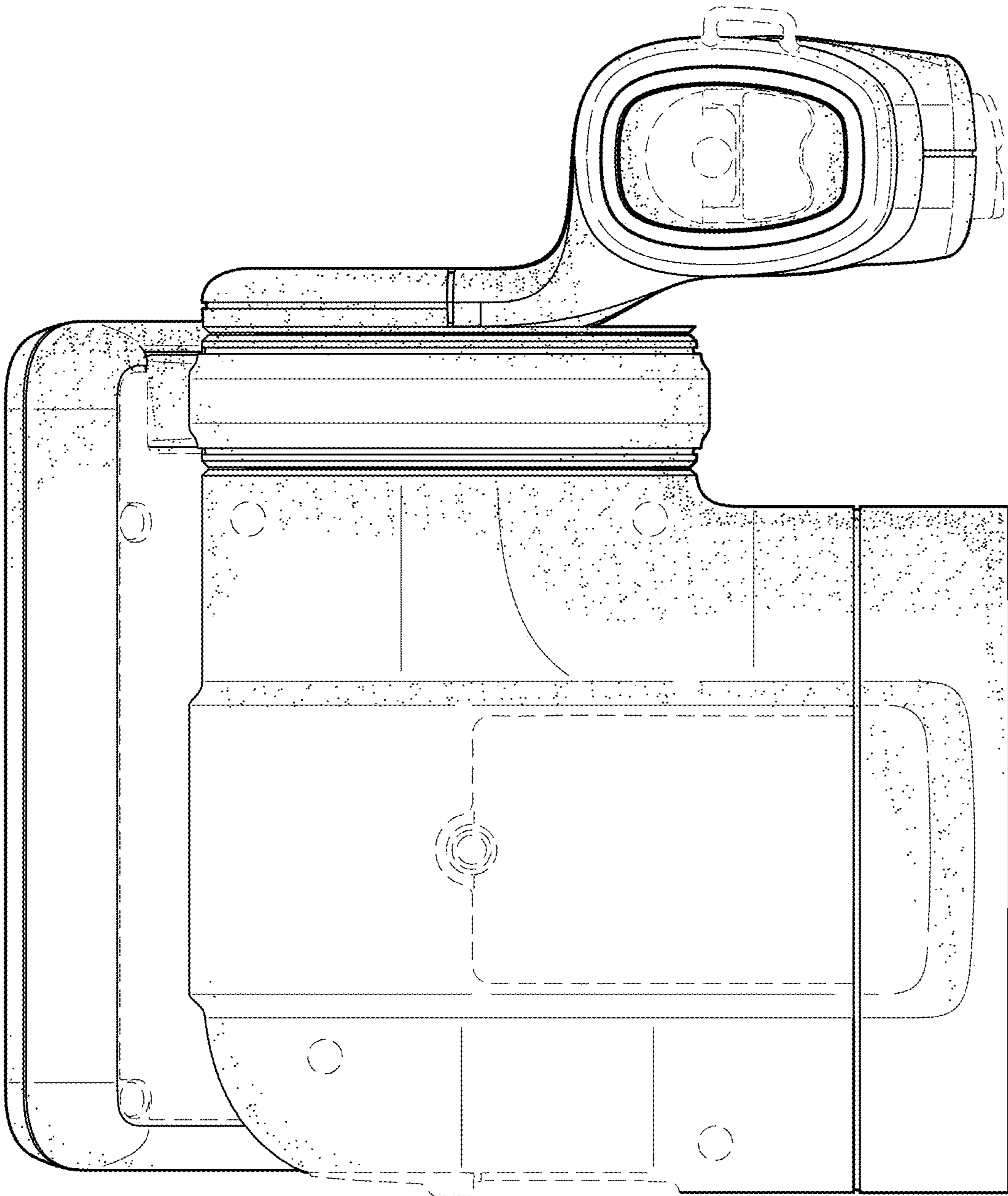


FIG. 7

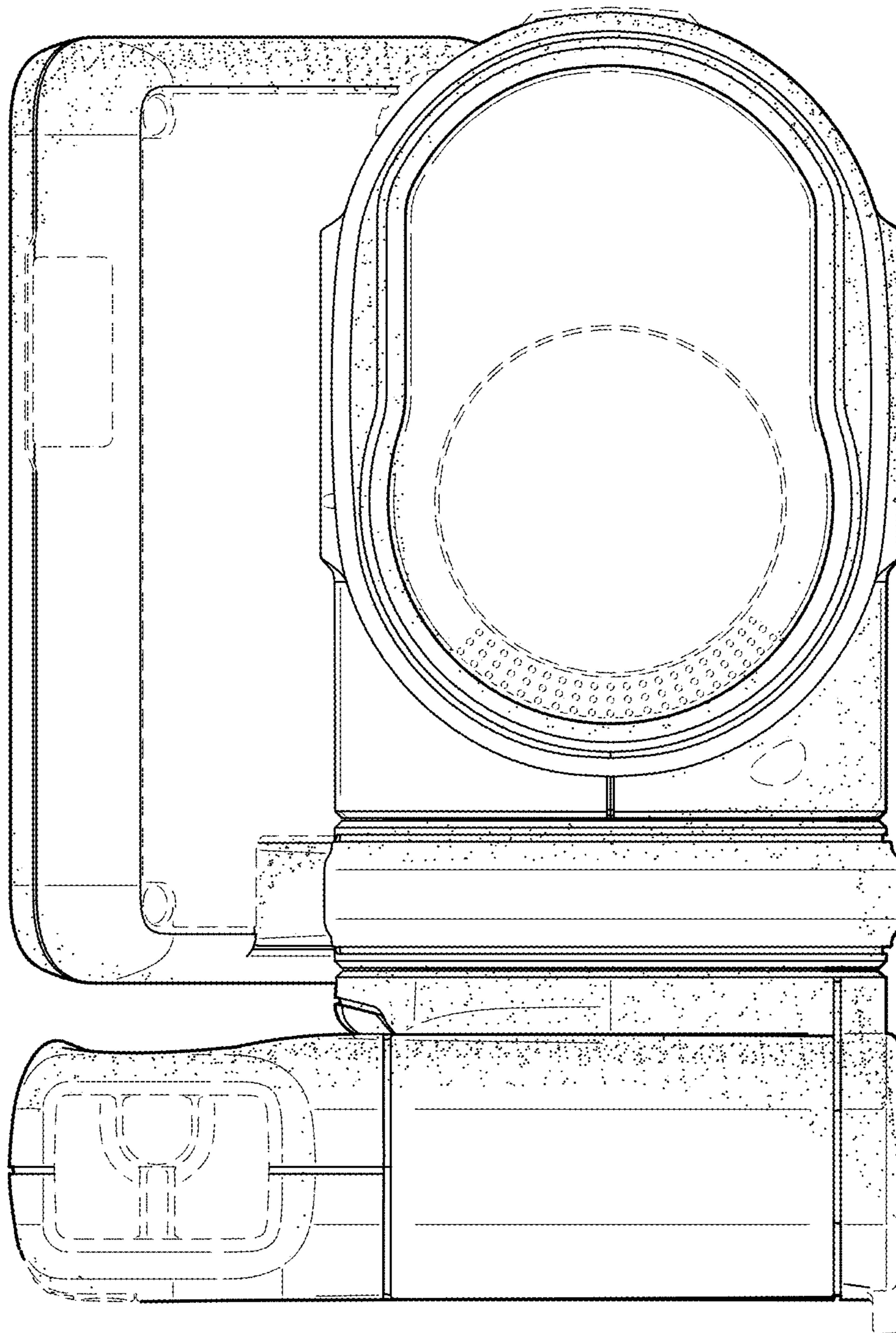


FIG. 8