

US00D926857S

(12) **United States Design Patent**
Zhang

(10) **Patent No.:** **US D926,857 S**

(45) **Date of Patent:** **** Aug. 3, 2021**

(54) **CAMERA**

(71) Applicant: **ZHEJIANG DAHUA TECHNOLOGY CO., LTD.**, Zhejiang (CN)

(72) Inventor: **Quan Zhang**, Hangzhou (CN)

(73) Assignee: **ZHEJIANG DAHUA TECHNOLOGY CO., LTD.**, Hangzhou (CN)

(**) Term: **15 Years**

(21) Appl. No.: **29/656,338**

(22) Filed: **Jul. 11, 2018**

(30) **Foreign Application Priority Data**

Jan. 22, 2018 (CN) 201830028746.2
May 22, 2018 (CN) 201830239893.4

(51) **LOC (13) Cl.** **16-01**

(52) **U.S. Cl.**
USPC **D16/218**

(58) **Field of Classification Search**
USPC D16/200, 202, 203, 208, 218, 219, 242
CPC H04N 5/2253; H04N 5/2254; H04N 7/181;
H04N 7/183; H04N 7/18; H04N 5/2251;
H04N 5/2252; B64C 39/024; B64C
2201/123; B64D 47/08; F16M 11/18;
F16M 13/022; G03B 15/006; G03B
17/561; G03B 17/02; G03B 17/56; G03B
15/03; G08B 13/1963; G08B 13/19619;
G08B 13/19632

See application file for complete search history.

(56) **References Cited**

U.S. PATENT DOCUMENTS

D312,649 S * 12/1990 Sakuta D16/202
D582,955 S * 12/2008 Sekine D16/218

D595,328 S * 6/2009 Kim D16/219
D616,480 S * 5/2010 Ookawa D16/218
D624,106 S * 9/2010 Cho D16/203
D624,108 S * 9/2010 Wang D16/219
D647,933 S * 11/2011 Raken D16/202
D649,573 S * 11/2011 Al D16/203
D668,283 S * 10/2012 Ohno D16/203
D671,157 S * 11/2012 Richardson D16/202
D693,868 S * 11/2013 Ying D16/203
D702,274 S * 4/2014 Qian D16/203
D711,451 S * 8/2014 Katsuyama D16/208
D727,387 S * 4/2015 Hasegawa D16/203
D727,991 S * 4/2015 Hasegawa D16/203

(Continued)

Primary Examiner — Sandra Snapp

Assistant Examiner — Ieisha N Price

(74) *Attorney, Agent, or Firm* — Metis IP LLC

(57) **CLAIM**

The ornamental design for a camera, as shown and described.

DESCRIPTION

FIG. 1 is a perspective view of a camera showing our new design;

FIG. 2 is a front view thereof;

FIG. 3 is a rear view thereof;

FIG. 4 is a left view thereof;

FIG. 5 is a right view thereof;

FIG. 6 is a top view thereof;

FIG. 7 is a bottom view thereof; and,

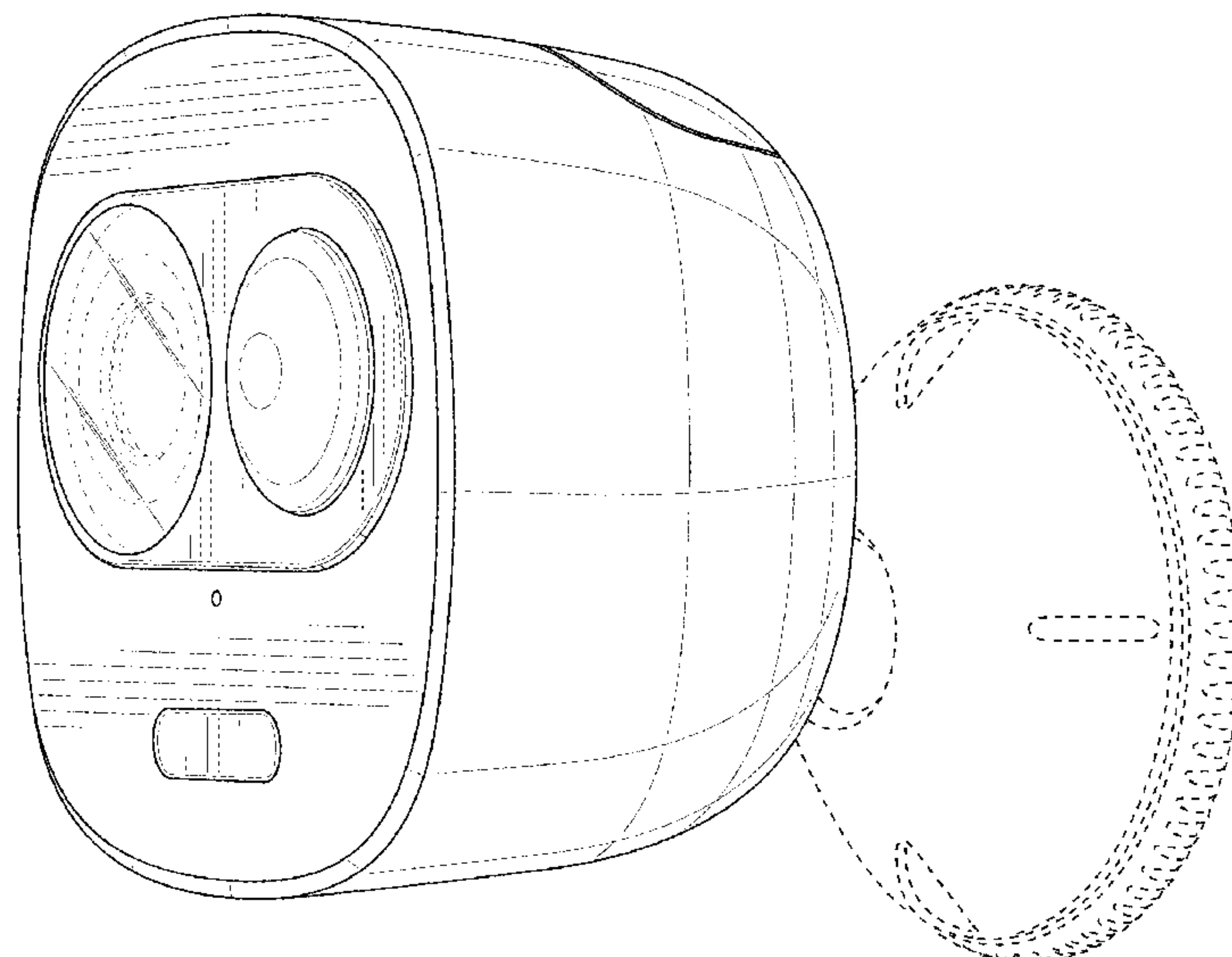
FIG. 8 is an environmental perspective view of the camera supported by a bracket.

The shade lines in the Figures show contour and not surface ornamentation.

The broken line showing of the support bracket in FIG. 8 illustrates the environment of the claimed design and forms no part thereof.

The remaining broken lines in the drawings illustrate portions of the camera and form no part of the claimed design.

1 Claim, 8 Drawing Sheets



(56)

References Cited

U.S. PATENT DOCUMENTS

D736,292 S * 8/2015 Fengmin D16/203
 D740,871 S * 10/2015 Moon D16/203
 D745,589 S * 12/2015 Lee D16/218
 D748,709 S * 2/2016 Jeong D16/202
 D753,207 S * 4/2016 Katori D16/203
 D760,312 S * 6/2016 Lee D16/218
 D762,759 S * 8/2016 Wu D16/218
 D769,345 S * 10/2016 Hinkel D16/203
 D769,956 S * 10/2016 Hinkel D16/203
 D772,325 S * 11/2016 Hinkel D16/203
 D773,547 S * 12/2016 Lee D16/218
 D773,706 S * 12/2016 Ookawa D26/51
 D777,817 S * 1/2017 Holbrook D16/203
 D785,067 S * 4/2017 Ramones D16/203
 D788,835 S * 6/2017 Wu D16/218
 D795,944 S * 8/2017 Mitchell D16/203
 D813,289 S * 3/2018 Laffon de Mazieres D16/202
 D813,925 S * 3/2018 Park D16/203
 D814,544 S * 4/2018 Moon D16/203
 D818,028 S * 5/2018 Ramones D16/214
 D821,477 S * 6/2018 Moon D16/203
 D823,369 S * 7/2018 Wang D16/203
 D832,329 S * 10/2018 Li D16/203
 D843,431 S * 3/2019 Jacob D16/203
 D845,373 S * 4/2019 Mittleman D16/203

D848,504 S * 5/2019 Ahman D16/203
 D854,070 S * 7/2019 Tani D16/203
 D858,604 S * 9/2019 Clement D16/203
 D858,605 S * 9/2019 Tang D16/203
 D863,398 S * 10/2019 Huang D16/203
 D863,401 S * 10/2019 Hasani D16/203
 D869,540 S * 12/2019 Huang D16/203
 D870,791 S * 12/2019 Hasani D16/203
 D874,531 S * 2/2020 Chen D16/202
 D874,532 S * 2/2020 Chen D16/202
 D879,859 S * 3/2020 Jacob D16/219
 D884,770 S * 5/2020 Xue D16/203
 D886,177 S * 6/2020 Ramones D16/203
 D886,884 S * 6/2020 Hathway D16/203
 D887,474 S * 6/2020 Yeh D16/203
 D888,795 S * 6/2020 Yuan D16/203
 D891,508 S * 7/2020 Hathway D16/237
 10,718,996 B2 * 7/2020 Ramones G03B 17/02
 D892,896 S * 8/2020 Gartrell D16/203
 D892,897 S * 8/2020 Gartrell D16/203
 D892,898 S * 8/2020 Jacob D16/203
 D893,576 S * 8/2020 Kyte D16/218
 D896,861 S * 9/2020 Hokari D16/200
 D903,738 S * 12/2020 Yalazoglu D16/218
 2003/0093805 A1 * 5/2003 Gin G08B 13/19619
 725/105
 2018/0084160 A1 * 3/2018 Miyashita G03B 17/04

* cited by examiner

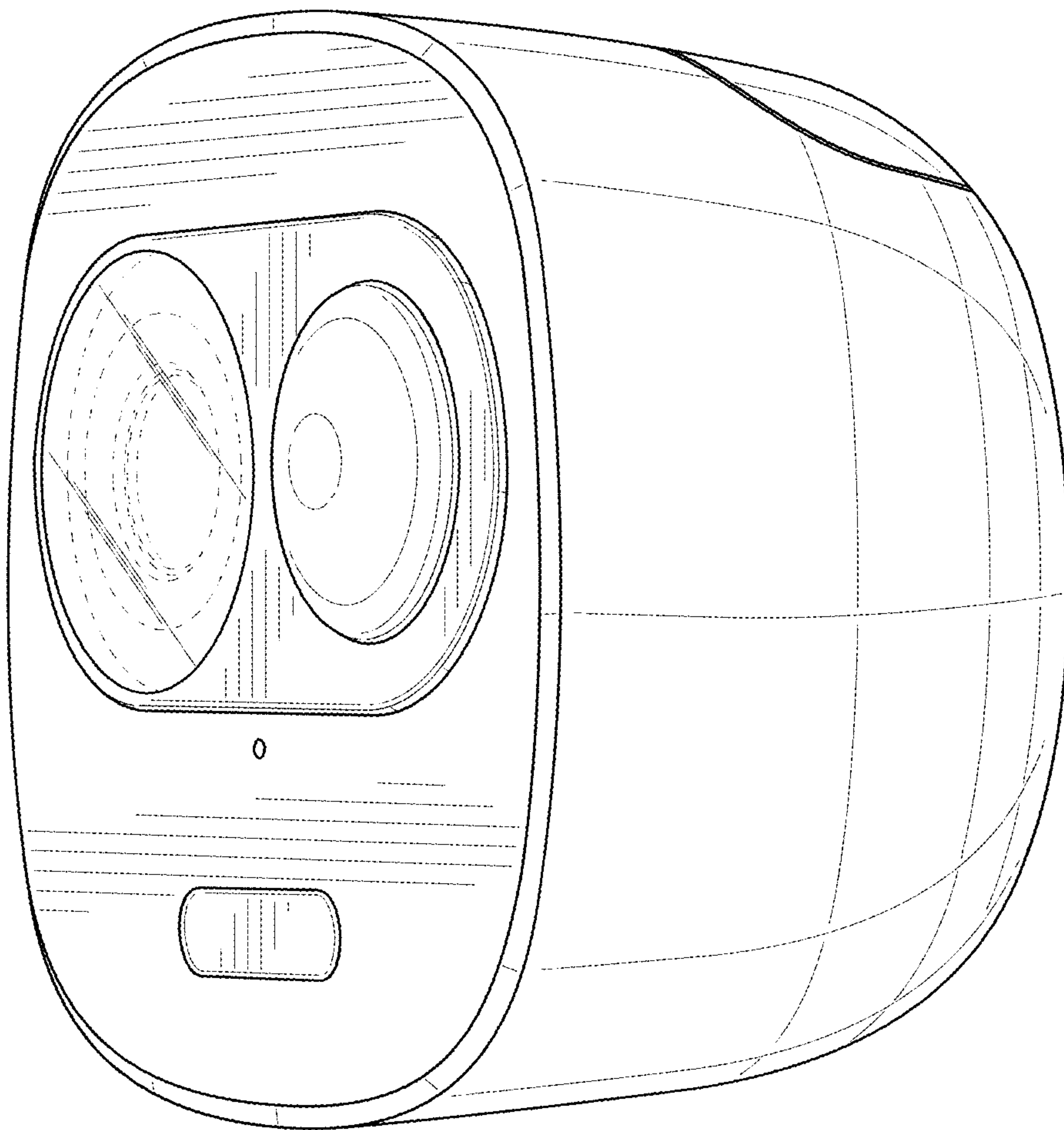


FIG. 1

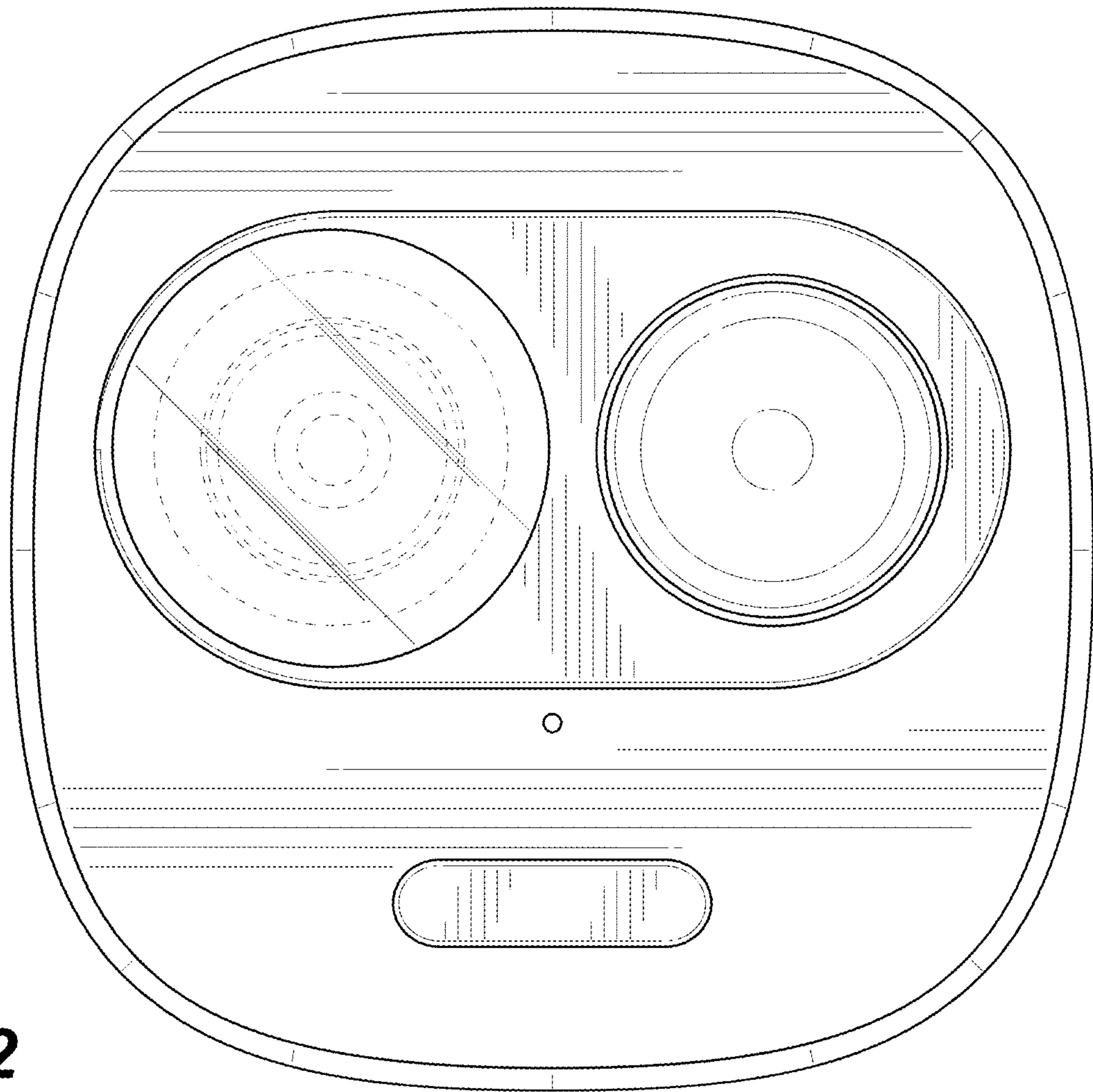


FIG. 2

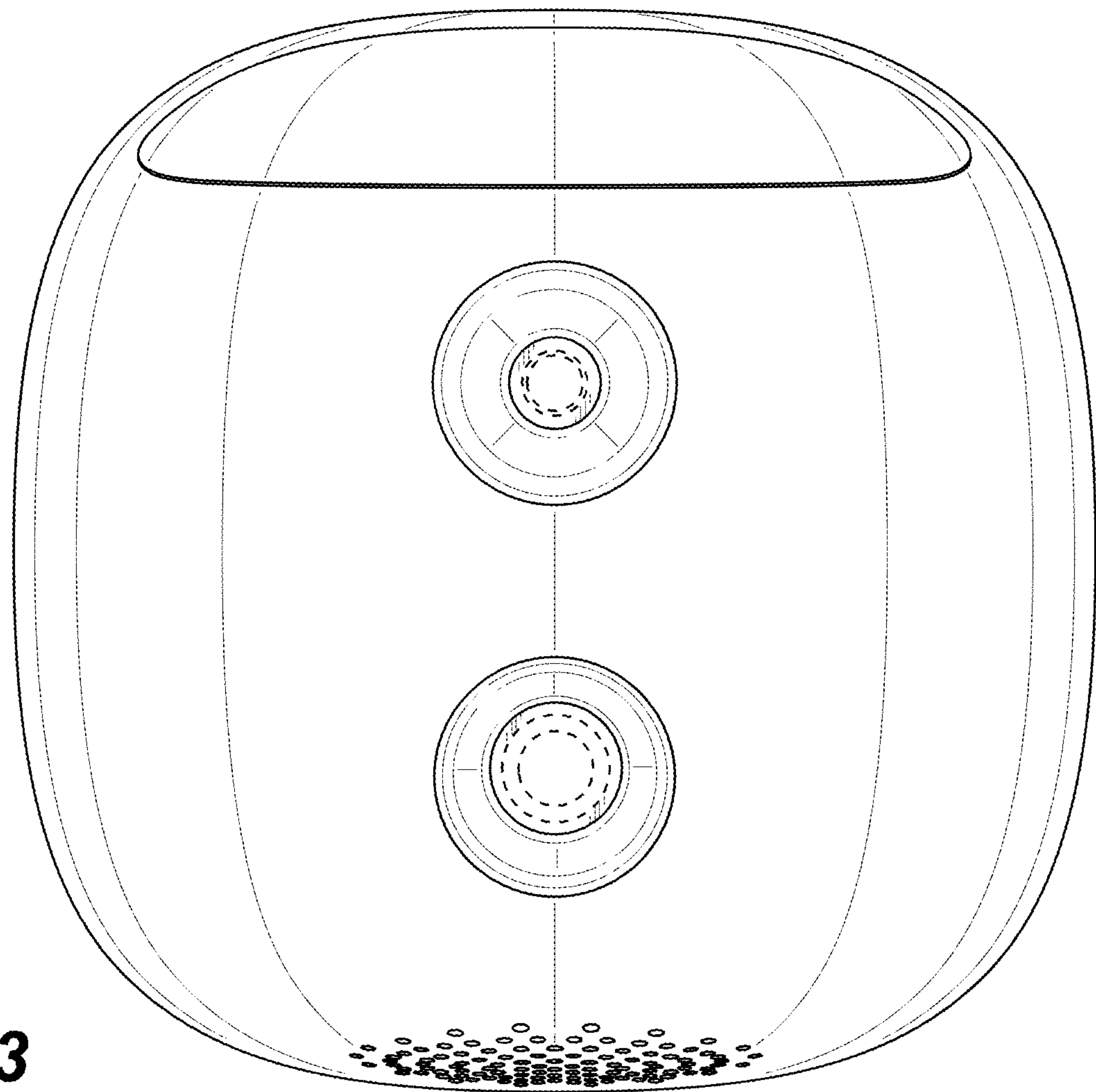


FIG. 3

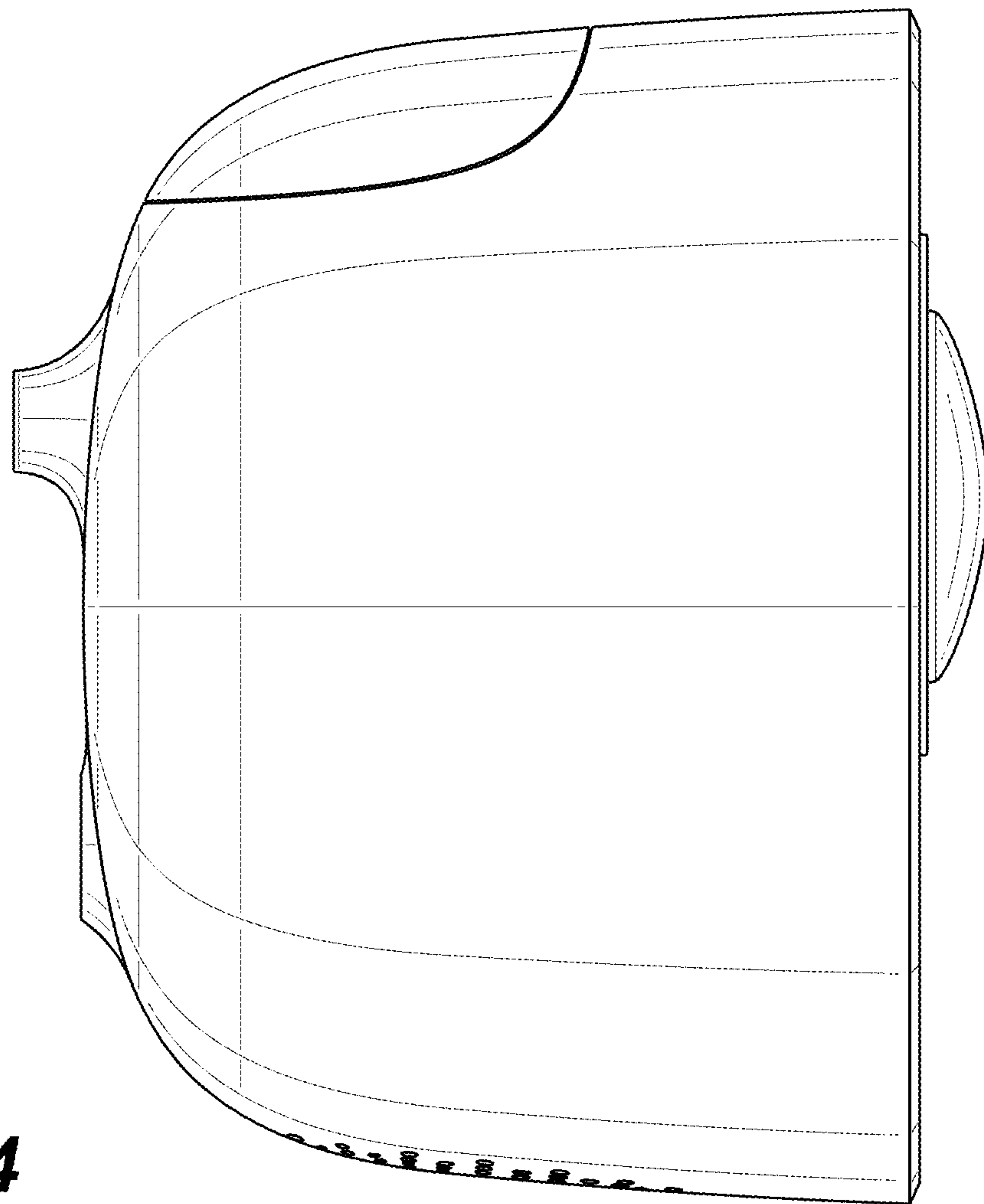


FIG. 4

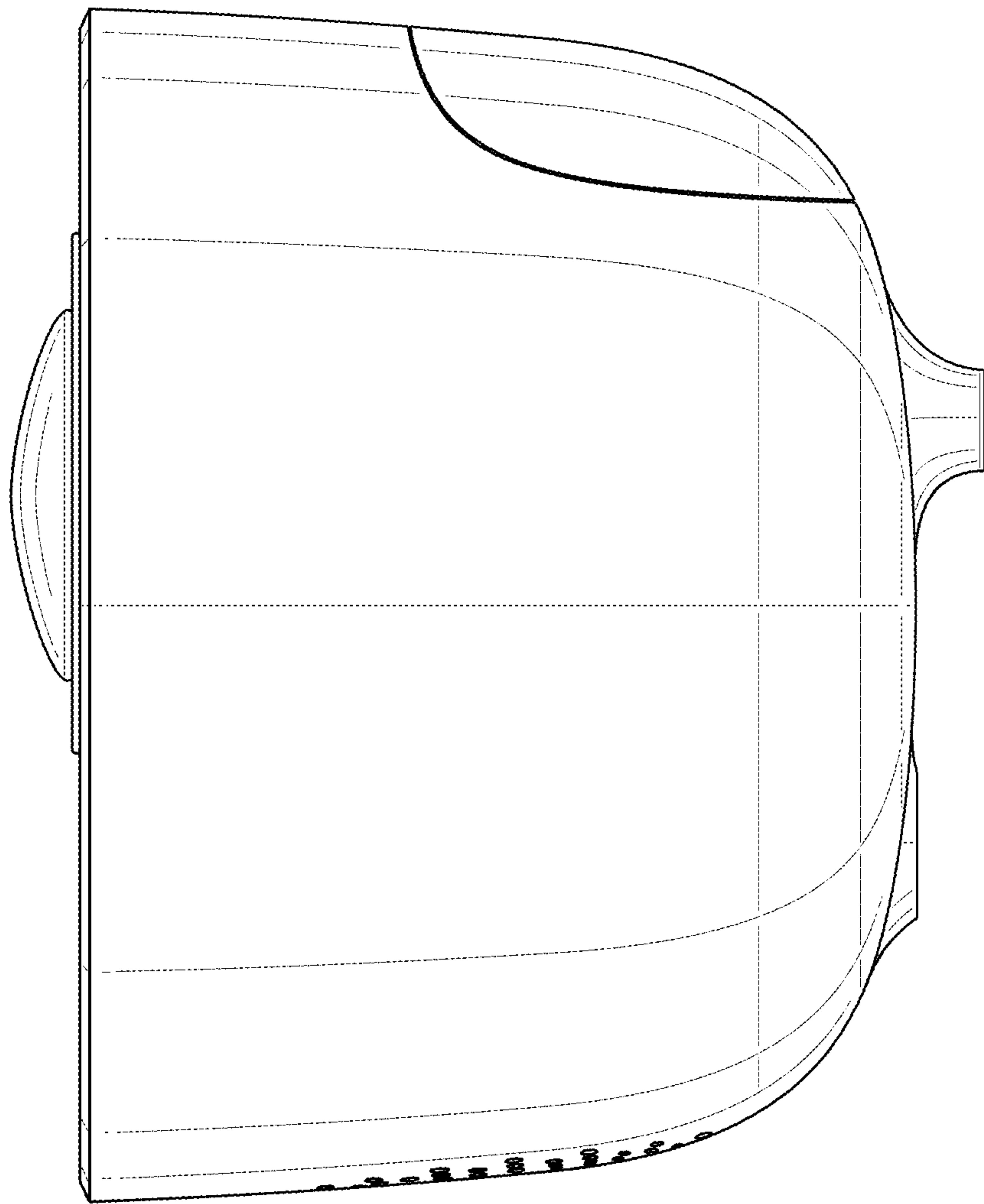


FIG. 5

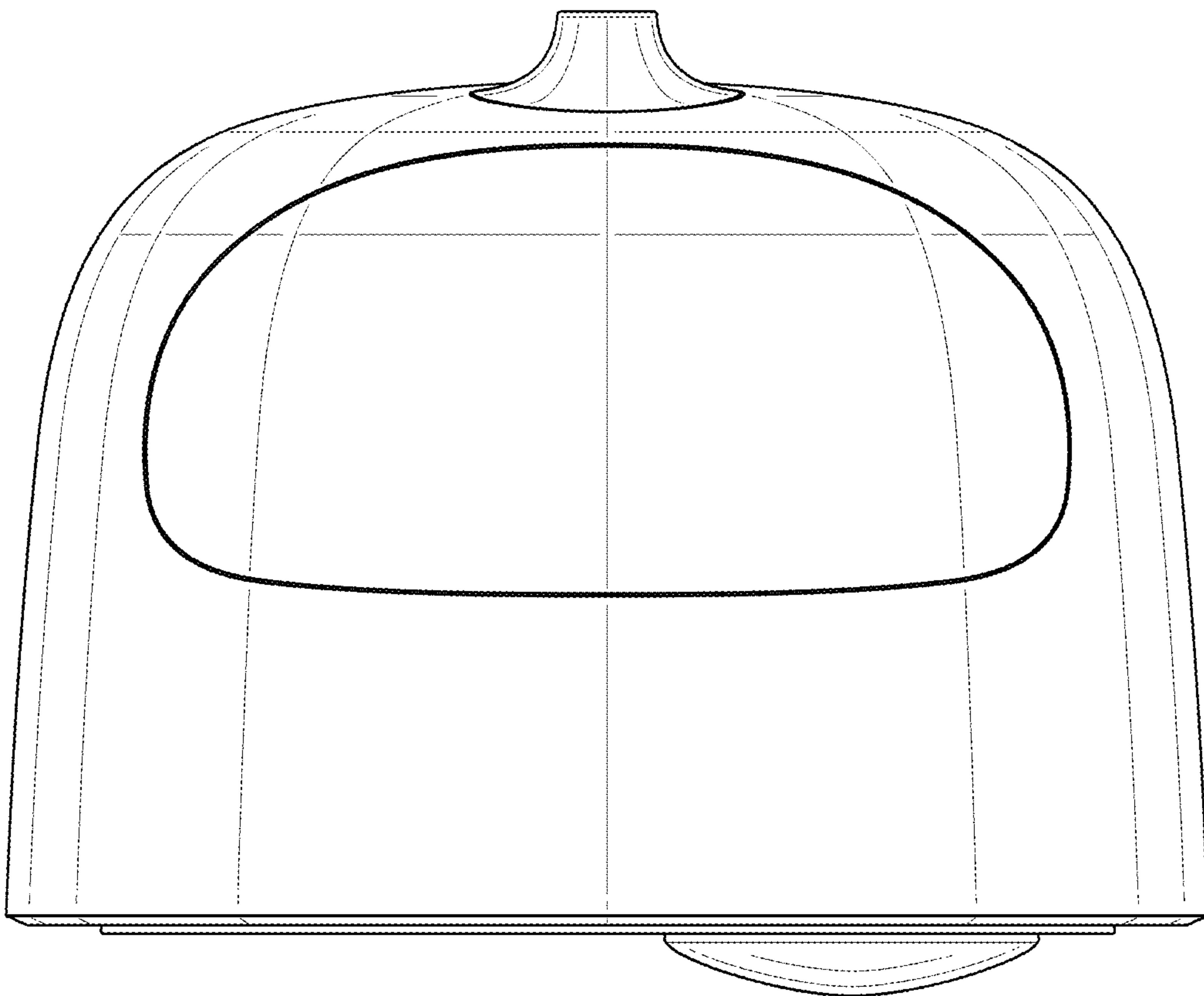


FIG. 6

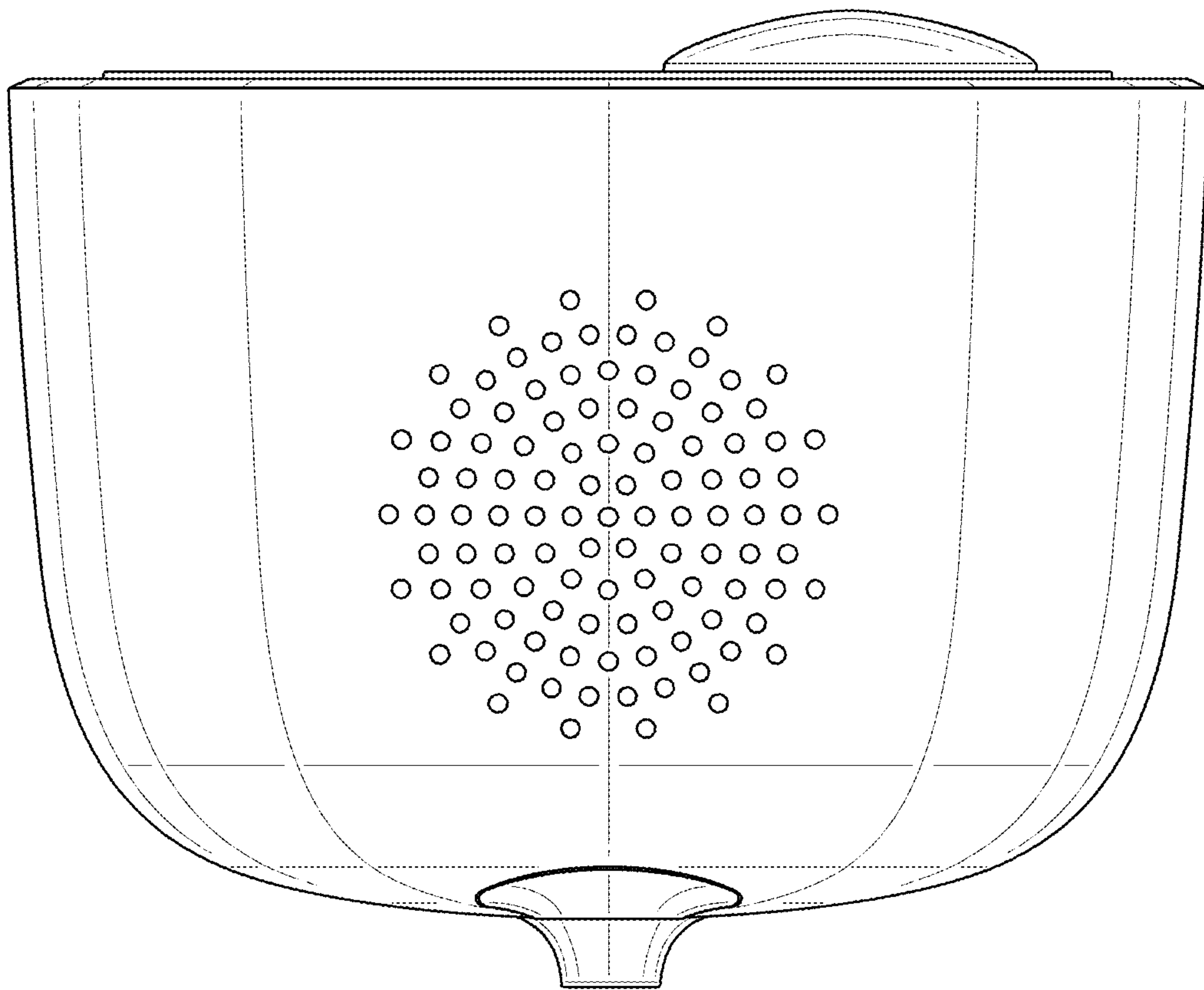


FIG. 7

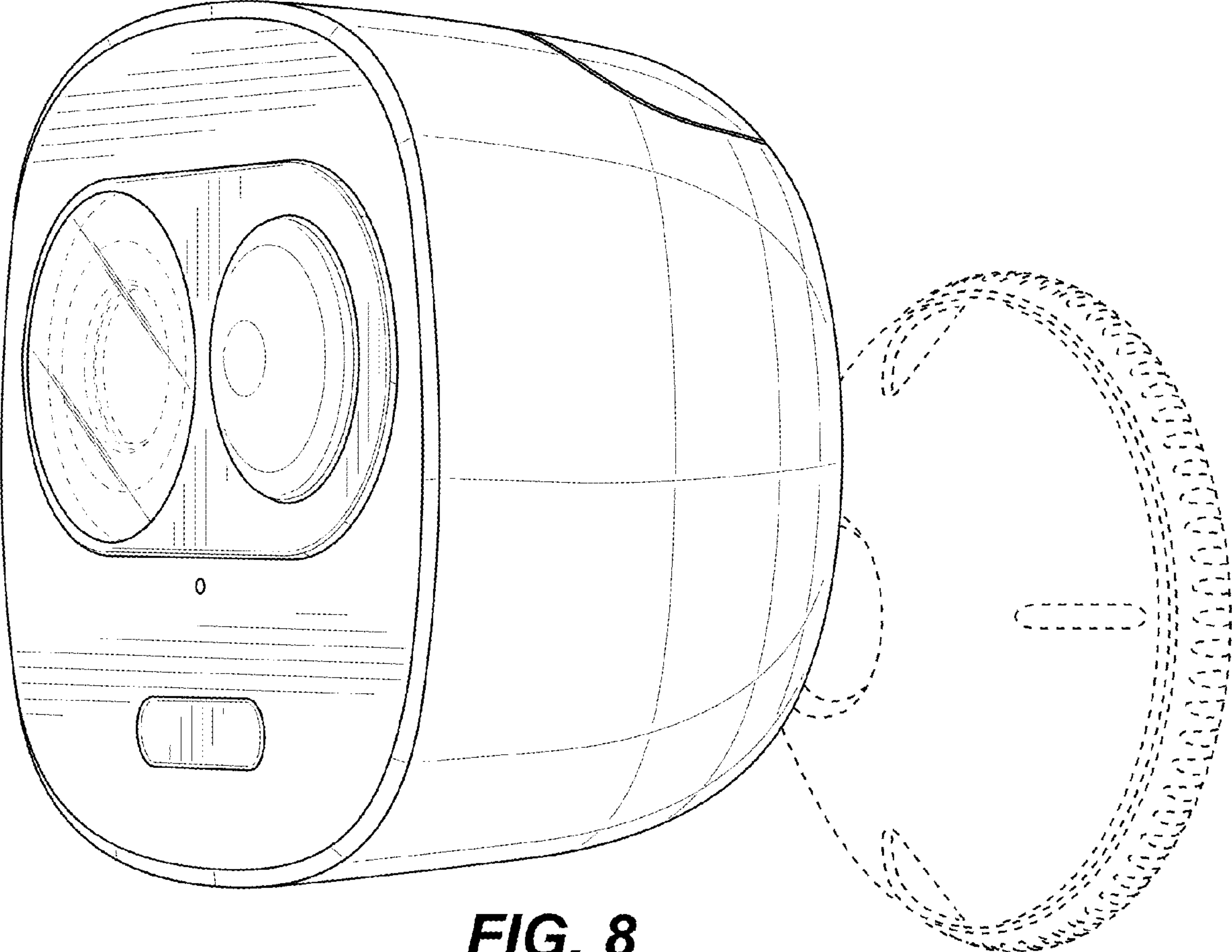


FIG. 8