



US00D926856S

(12) **United States Design Patent** (10) **Patent No.:** **US D926,856 S**
Mori et al. (45) **Date of Patent:** **** Aug. 3, 2021**

(54) **ELECTRONIC VIEWFINDER FOR DIGITAL VIDEO CAMERA**

(71) Applicant: **CANON KABUSHIKI KAISHA**,
Tokyo (JP)

(72) Inventors: **Takashi Mori**, Kanagawa-ken (JP);
Masaaki Igarashi, Tokyo (JP);
Sadaharu Matsuo, Kanagawa-ken (JP)

(73) Assignee: **Canon Kabushiki Kaisha**, Tokyo (JP)

(**) Term: **15 Years**

(21) Appl. No.: **29/664,243**

(22) Filed: **Sep. 24, 2018**

Related U.S. Application Data

(62) Division of application No. 35/503,265, filed on Dec. 26, 2016 (U.S. filing date under 35 U.S.C. 384), and having an international filing date of Dec. 26, 2016, now Pat. No. Des. 875,805.

(30) **Foreign Application Priority Data**

Jun. 30, 2016 (JP) 2016-013983

(51) **LOC (13) Cl.** **16-01**

(52) **U.S. Cl.**
USPC **D16/202**

(58) **Field of Classification Search**
USPC D16/200, 202–206, 208, 218, 219, 242
CPC G03B 17/02; G03B 17/04; G03B 17/56;
G03B 17/14; G03B 19/04; H04N 5/2251;
H04N 5/2252; H04N 5/2253; H04N
5/2254

See application file for complete search history.

(56) **References Cited**

U.S. PATENT DOCUMENTS

D696,333 S	12/2013	Takahashi et al.	
D754,230 S	4/2016	Mori et al.	
D769,955 S *	10/2016	Faehrmann	D16/202
D872,157 S *	1/2020	Nishiwaki	D16/202
2014/0233933 A1 *	8/2014	Schmidt	G03B 17/565 396/382

* cited by examiner

Primary Examiner — Holly E Thurman

(74) *Attorney, Agent, or Firm* — Venable LLP

(57) **CLAIM**

The ornamental design for an electronic viewfinder for digital video camera, as shown and described.

DESCRIPTION

- FIG. 1 : Front
- FIG. 2 : Back
- FIG. 3 : Top
- FIG. 4 : Bottom
- FIG. 5 : Left
- FIG. 6 : Right; and,
- FIG. 7 : Perspective.

The broken lines illustrate portions of the electronic viewfinder for digital video camera that form no part of the claimed design.

1 Claim, 7 Drawing Sheets

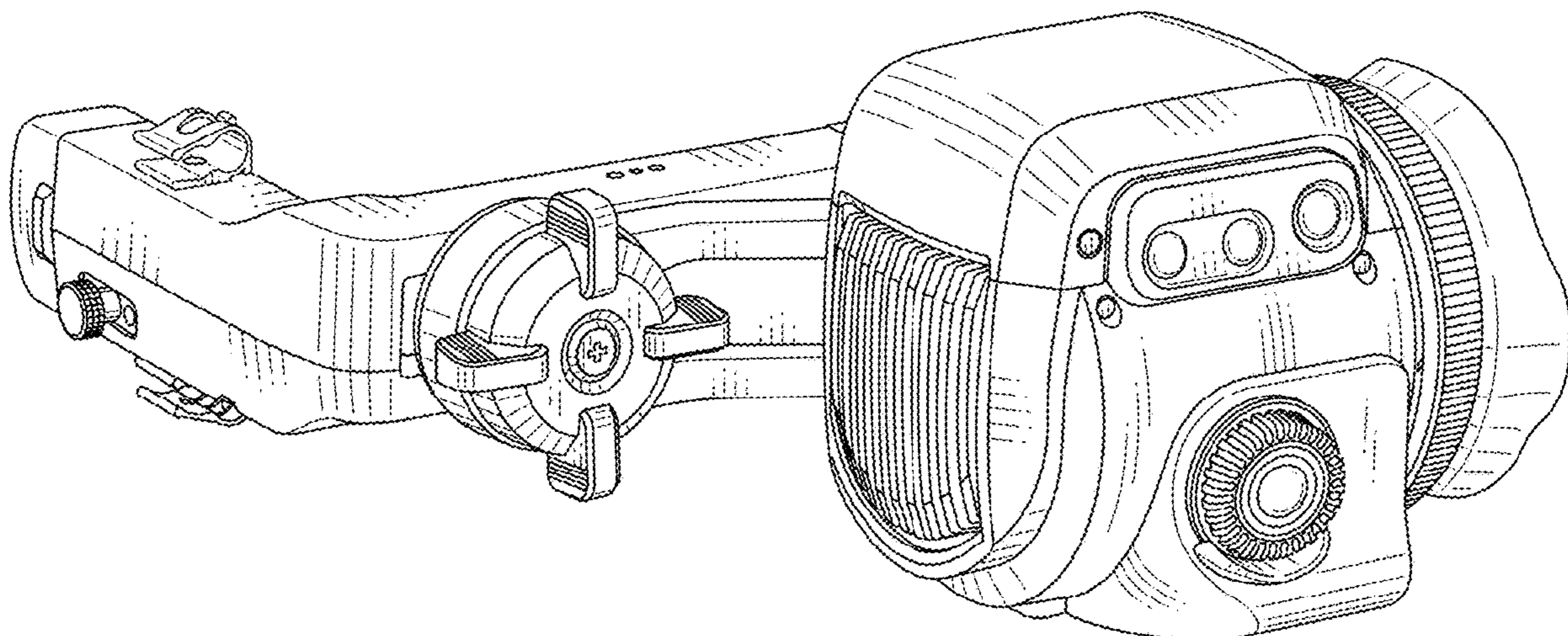


FIG. 1

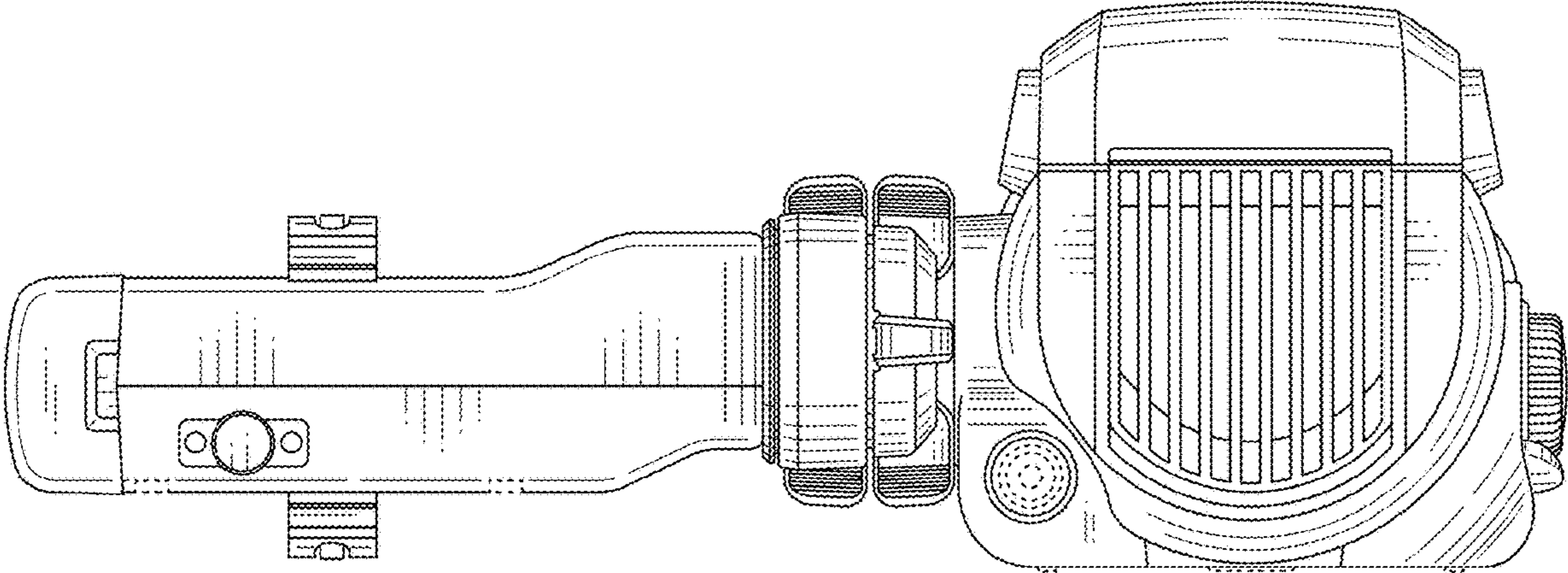


FIG. 2

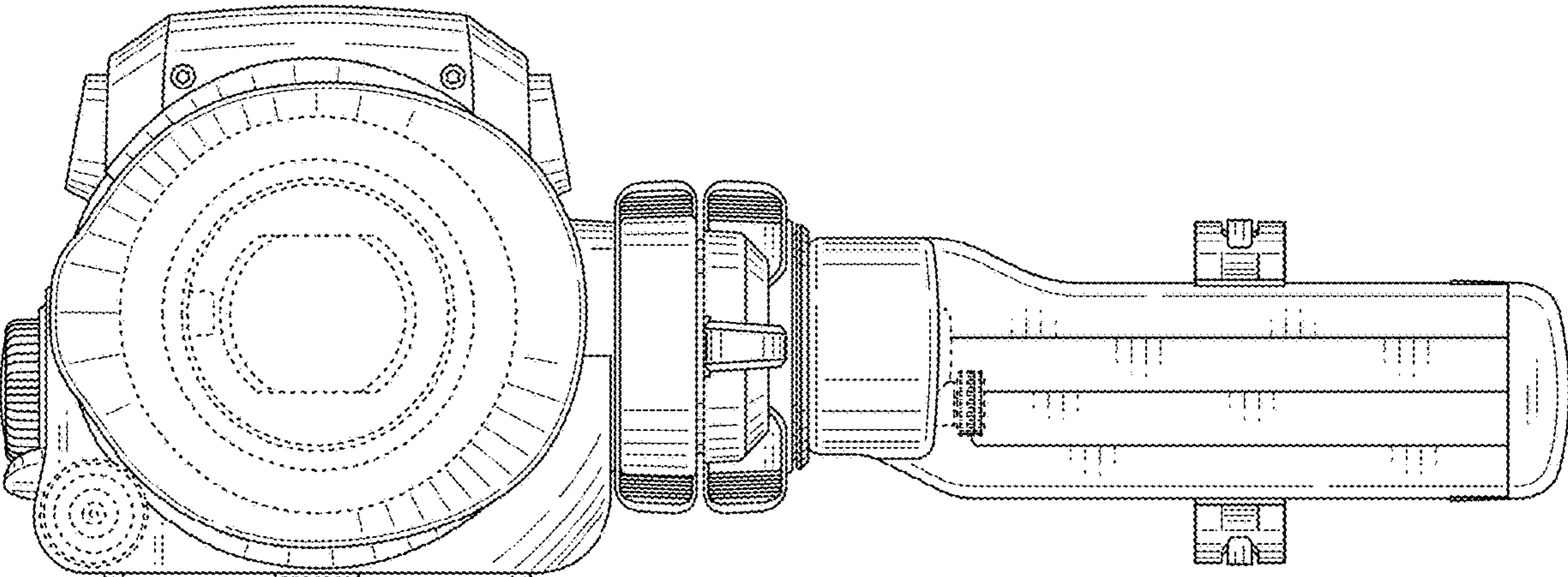


FIG. 3

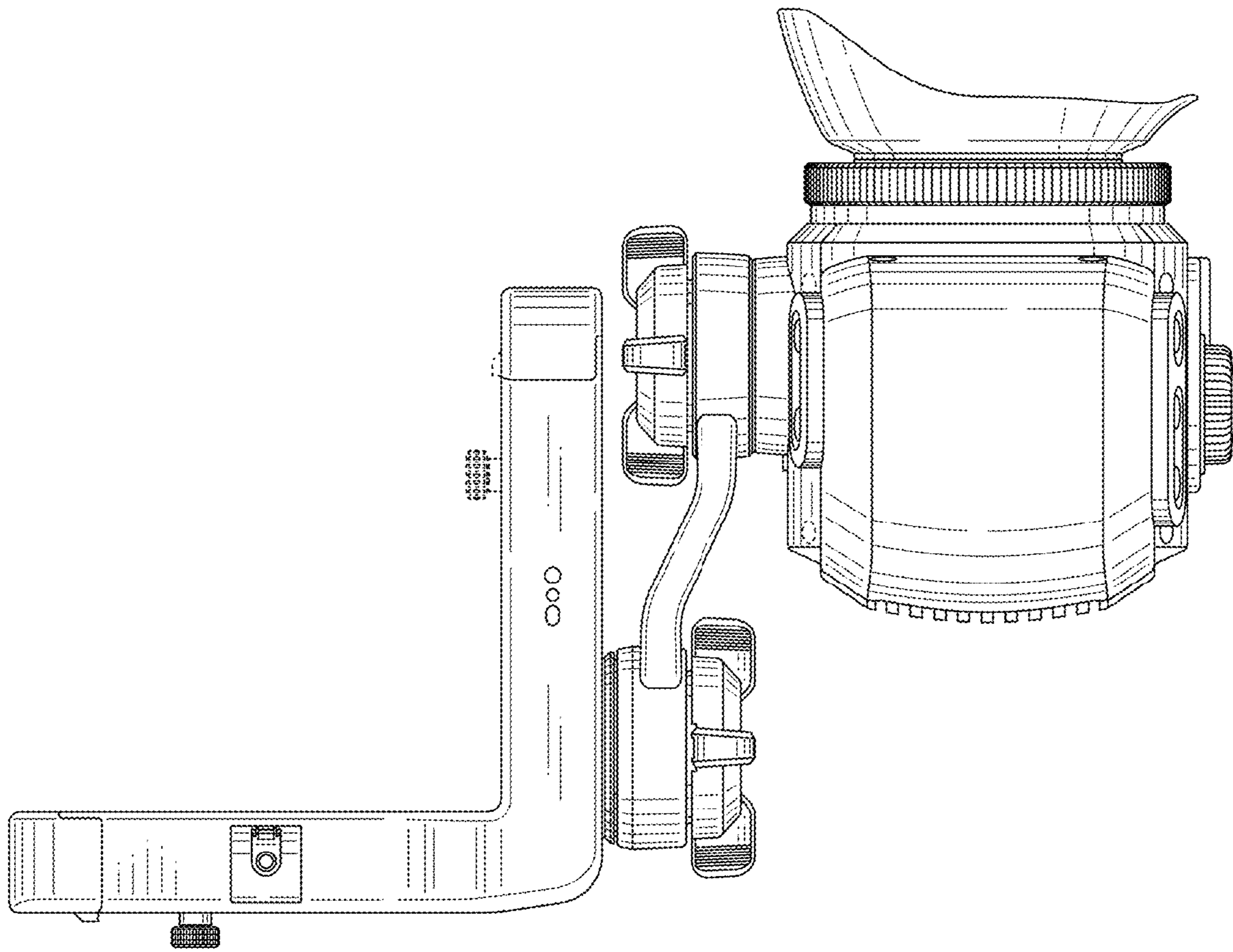


FIG. 4

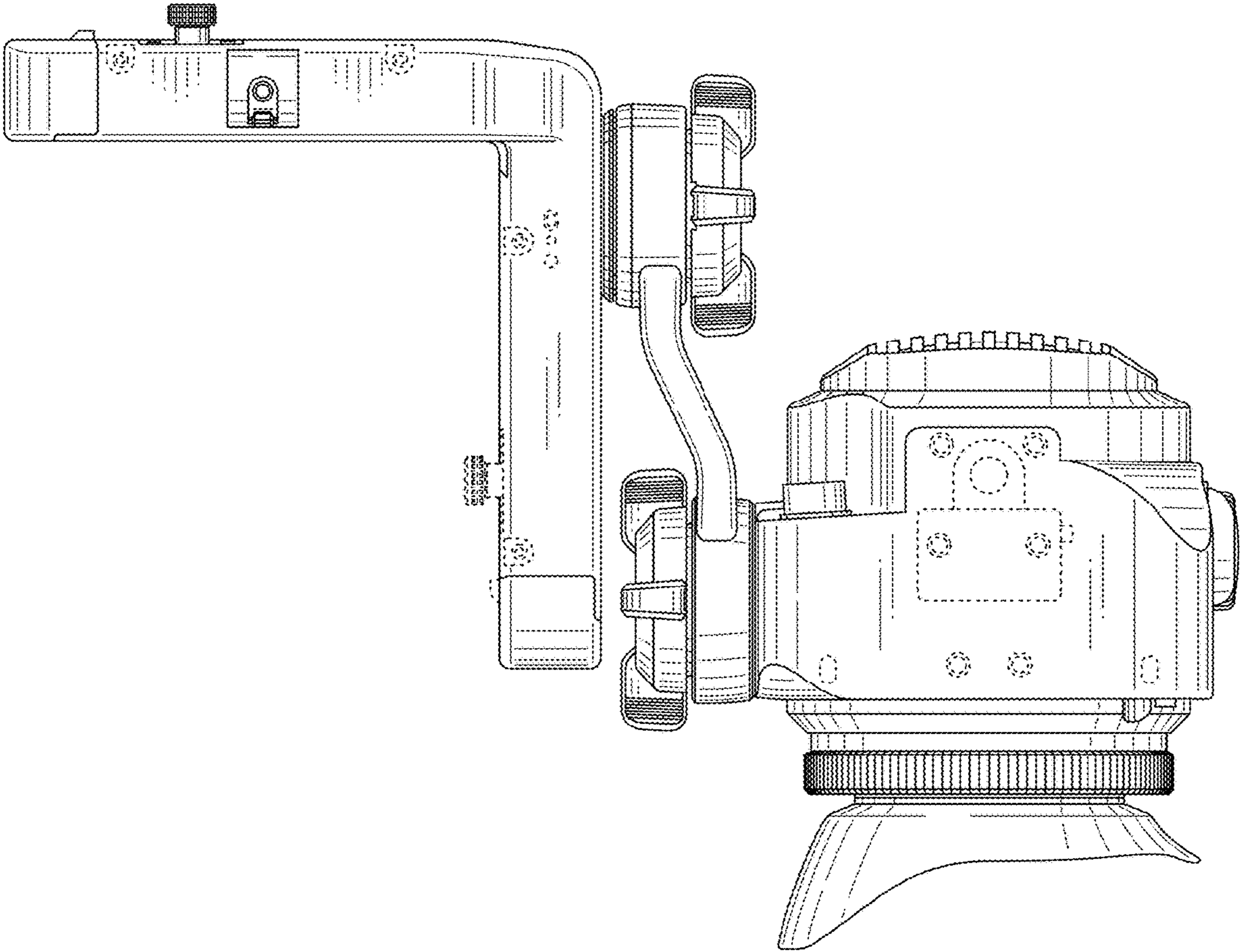


FIG. 5

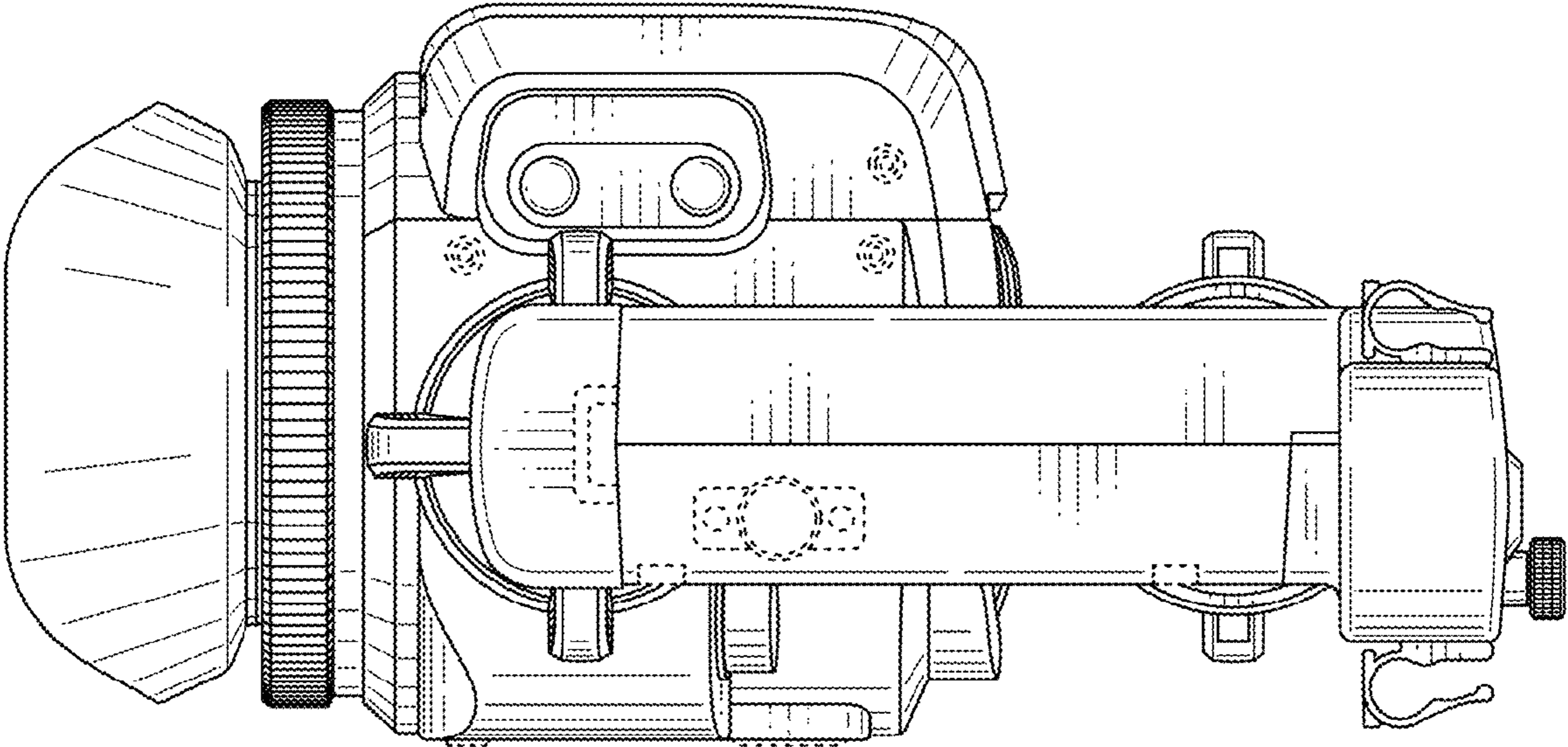


FIG. 6

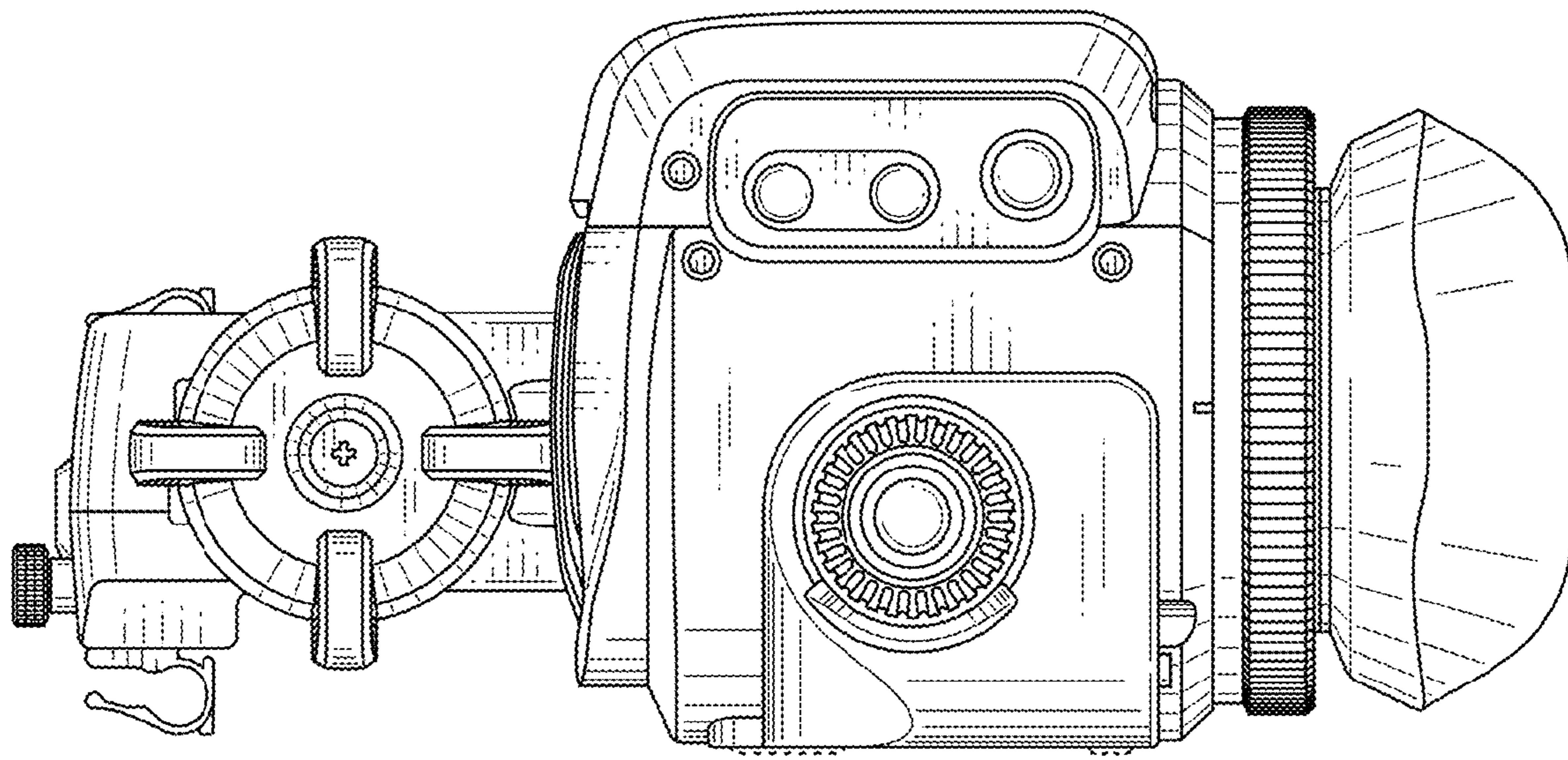


FIG. 7

