



US00D926855S

(12) **United States Design Patent** (10) **Patent No.:** **US D926,855 S**
Kimura (45) **Date of Patent:** **** Aug. 3, 2021**

(54) **GRIP FOR DIGITAL VIDEO CAMERA**

(56) **References Cited**

(71) Applicant: **CANON KABUSHIKI KAISHA,**
Tokyo (JP)

U.S. PATENT DOCUMENTS

(72) Inventor: **Hiroyuki Kimura,** Tokyo (JP)

D330,904 S	*	11/1992	Sasaki	D16/219
D401,264 S	*	11/1998	Miyamoto	D16/243
D407,732 S	*	4/1999	Miyamoto	D16/243
D615,118 S	*	5/2010	Isozaki	D16/243
D624,110 S	*	9/2010	Isozaki	D16/243
D696,333 S		12/2013	Takahashi et al.	
D754,230 S		4/2016	Mori et al.	
D867,432 S	*	11/2019	Kimura	D16/237

(73) Assignee: **Canon Kabushiki Kaisha,** Tokyo (JP)

(**) Term: **15 Years**

* cited by examiner

(21) Appl. No.: **29/664,235**

(22) Filed: **Sep. 24, 2018**

Primary Examiner — Holly E Thurman

Related U.S. Application Data

(74) *Attorney, Agent, or Firm* — Venable LLP

(62) Division of application No. 35/503,265, filed on Dec. 26, 2016 (U.S. filing date under 35 U.S.C. 384), and having an international filing date of Dec. 26, 2016, now Pat. No. Des. 875,805.

(57) **CLAIM**

The ornamental design for a grip for digital video camera, as shown and described.

(30) **Foreign Application Priority Data**

DESCRIPTION

Jun. 30, 2016 (JP) 2016013981

(51) **LOC (13) Cl.** **16-01**

(52) **U.S. Cl.**
USPC **D16/202**

(58) **Field of Classification Search**
USPC D16/200, 202–206, 208, 218, 219, 242,
D16/243

CPC G03B 17/02; G03B 17/04; G03B 17/56;
G03B 17/14; G03B 19/04; H04N 5/2251;
H04N 5/2252; H04N 5/2253; H04N
5/2254

- FIG. 1 : Front
- FIG. 2 : Back
- FIG. 3 : Top
- FIG. 4 : Bottom
- FIG. 5 : Left
- FIG. 6 : Right
- FIG. 7 : Perspective

The broken lines illustrate features of the grip for digital video camera that form no part of the claimed design.

See application file for complete search history.

1 Claim, 7 Drawing Sheets

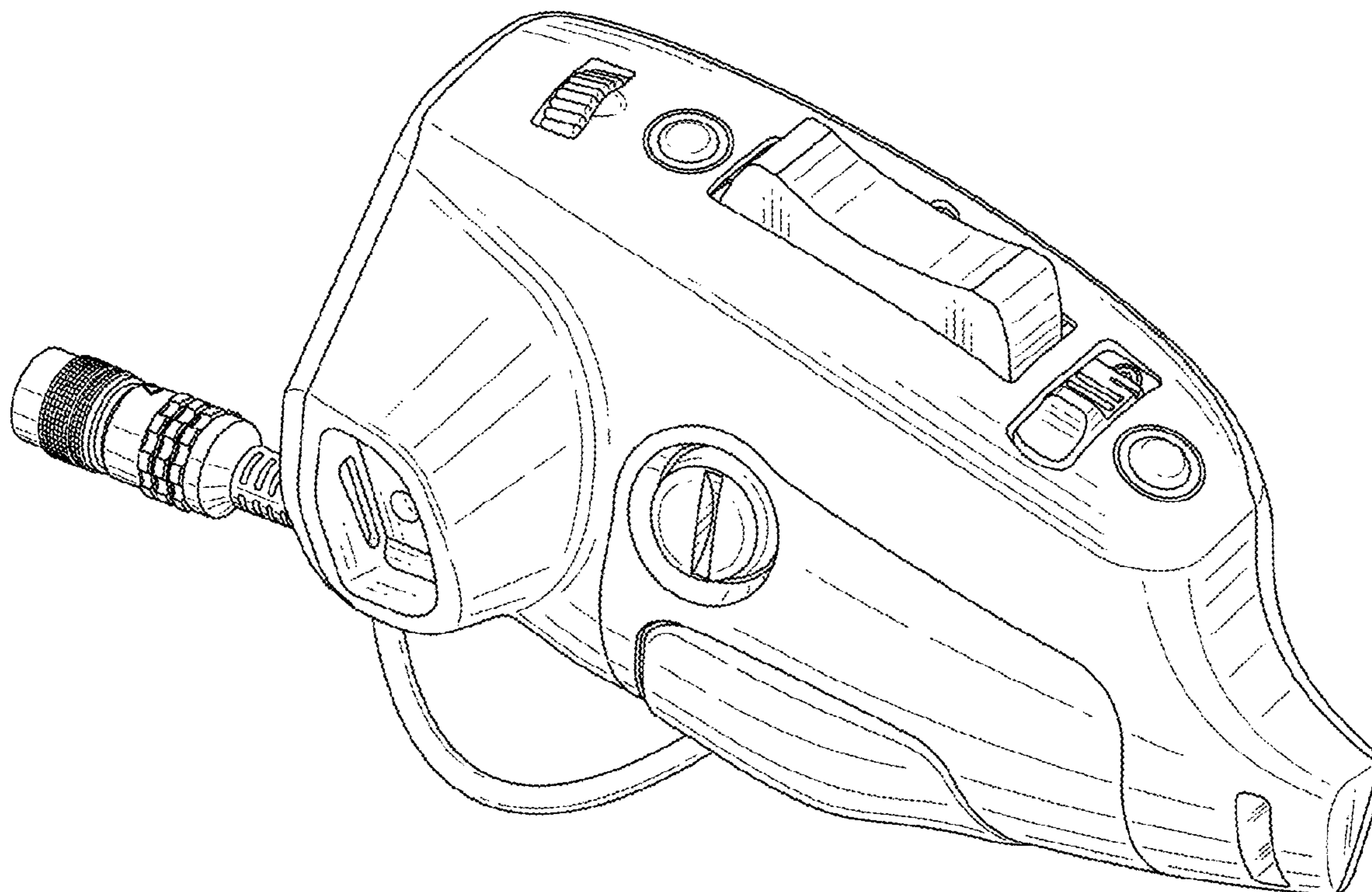


FIG.1

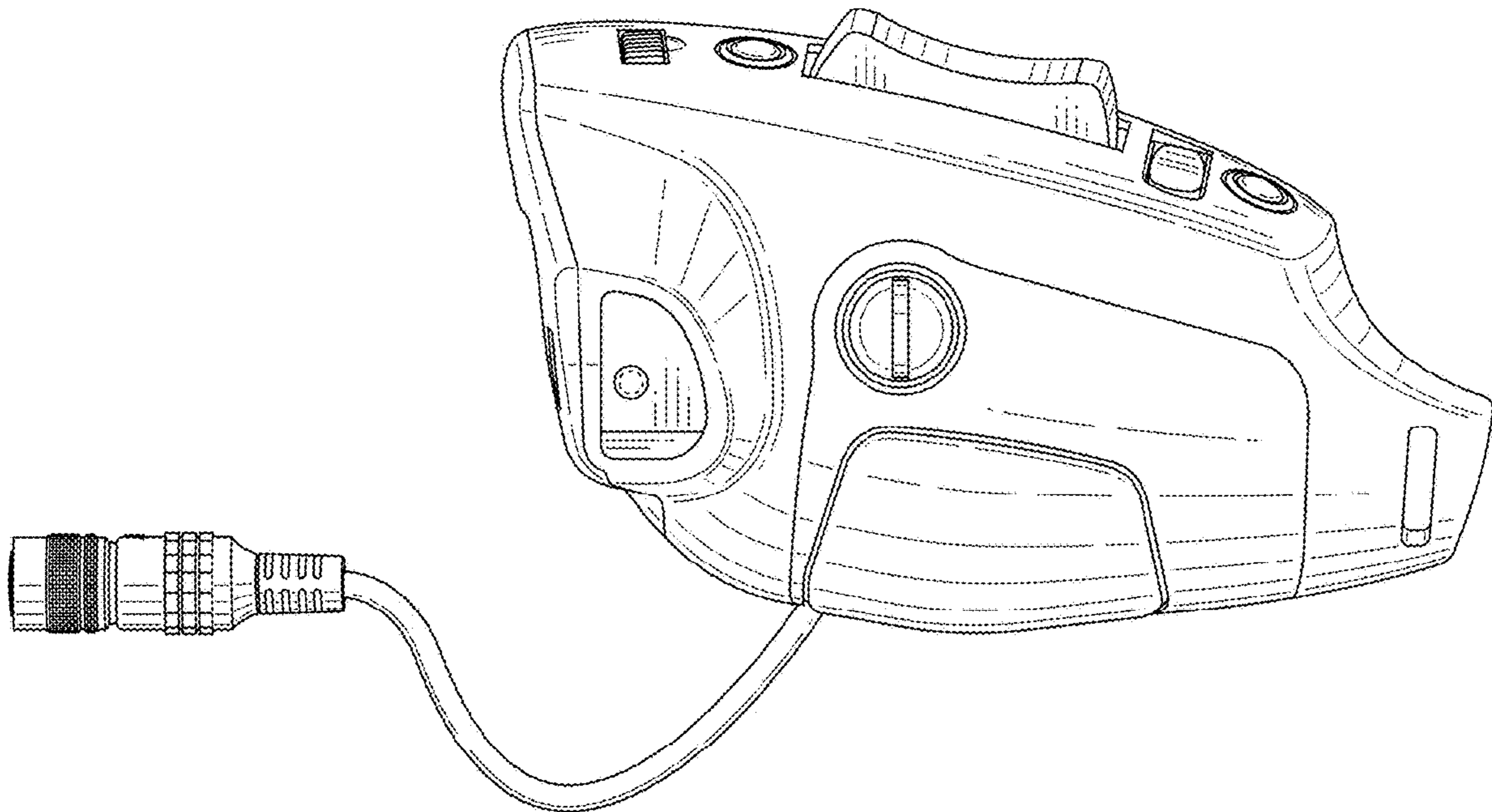


FIG. 2

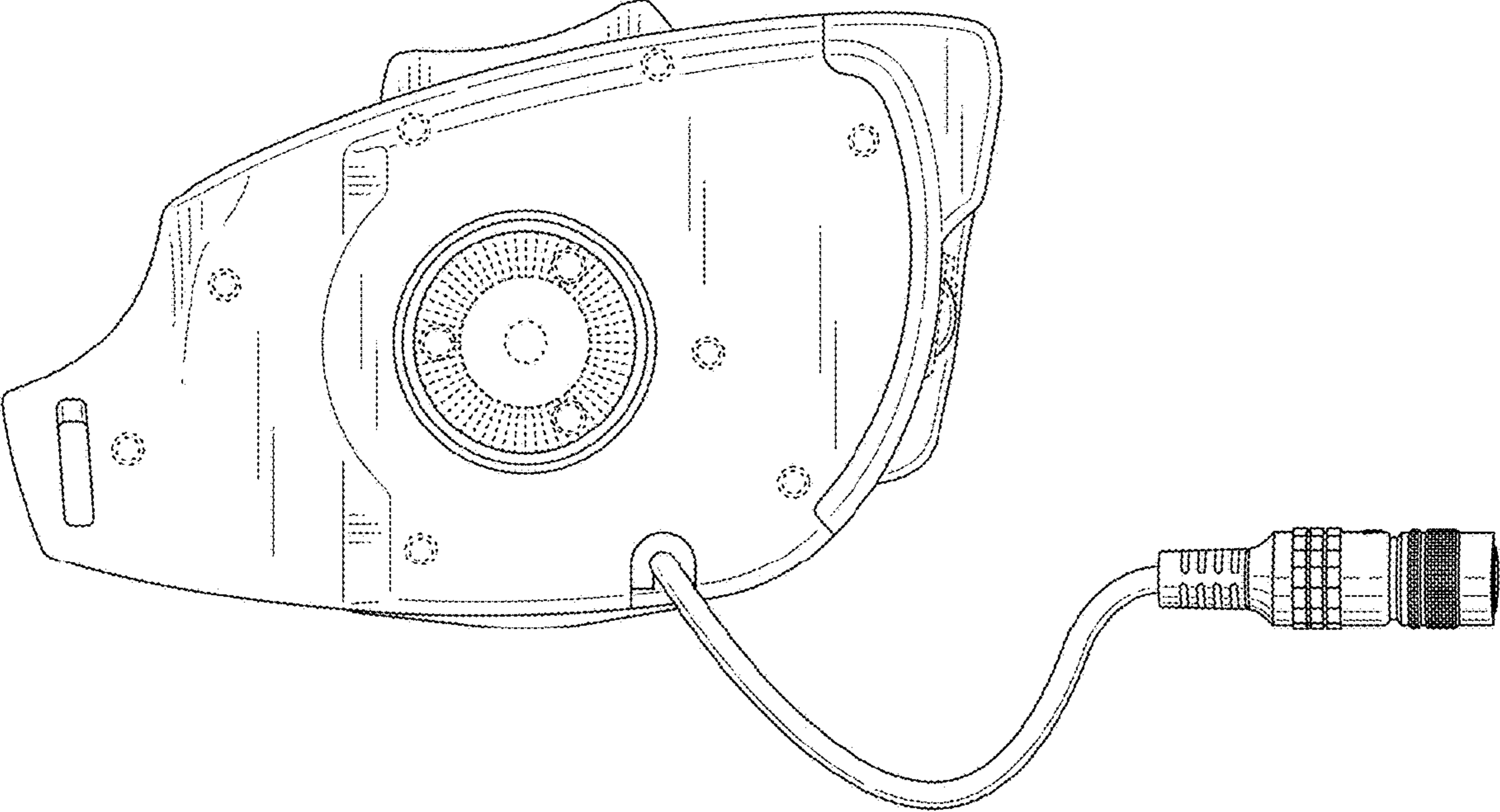


FIG. 3

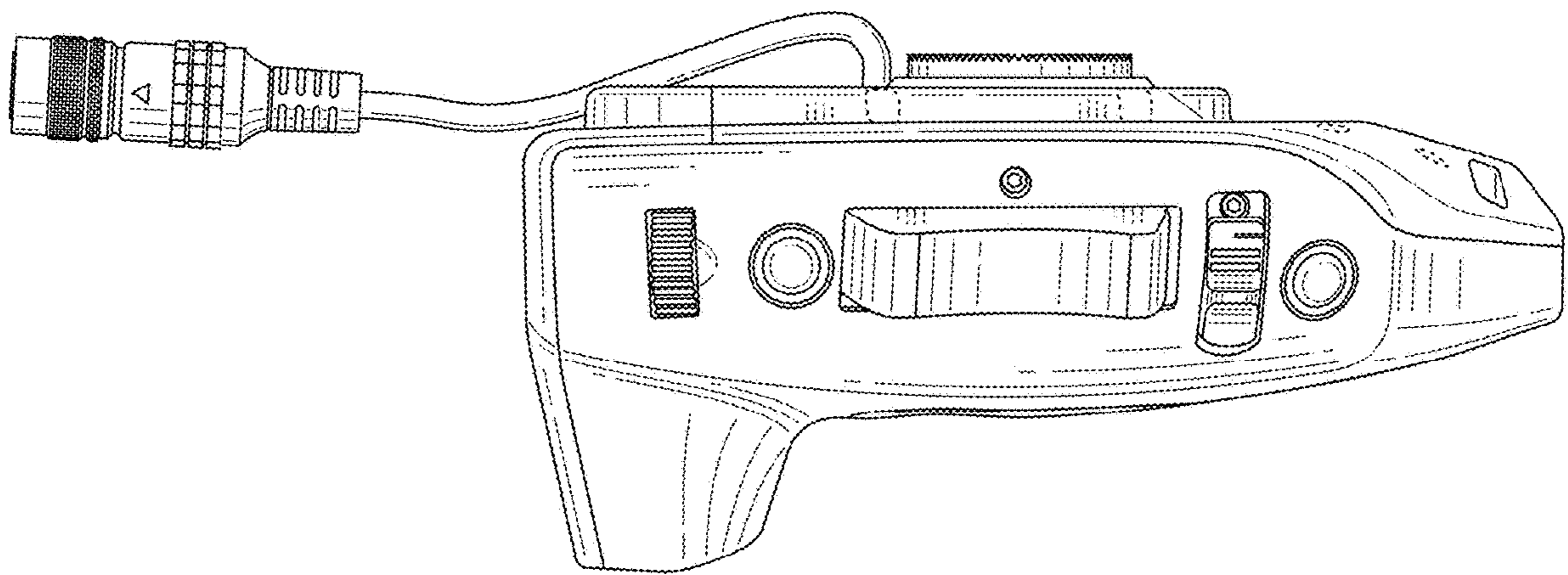


FIG. 4

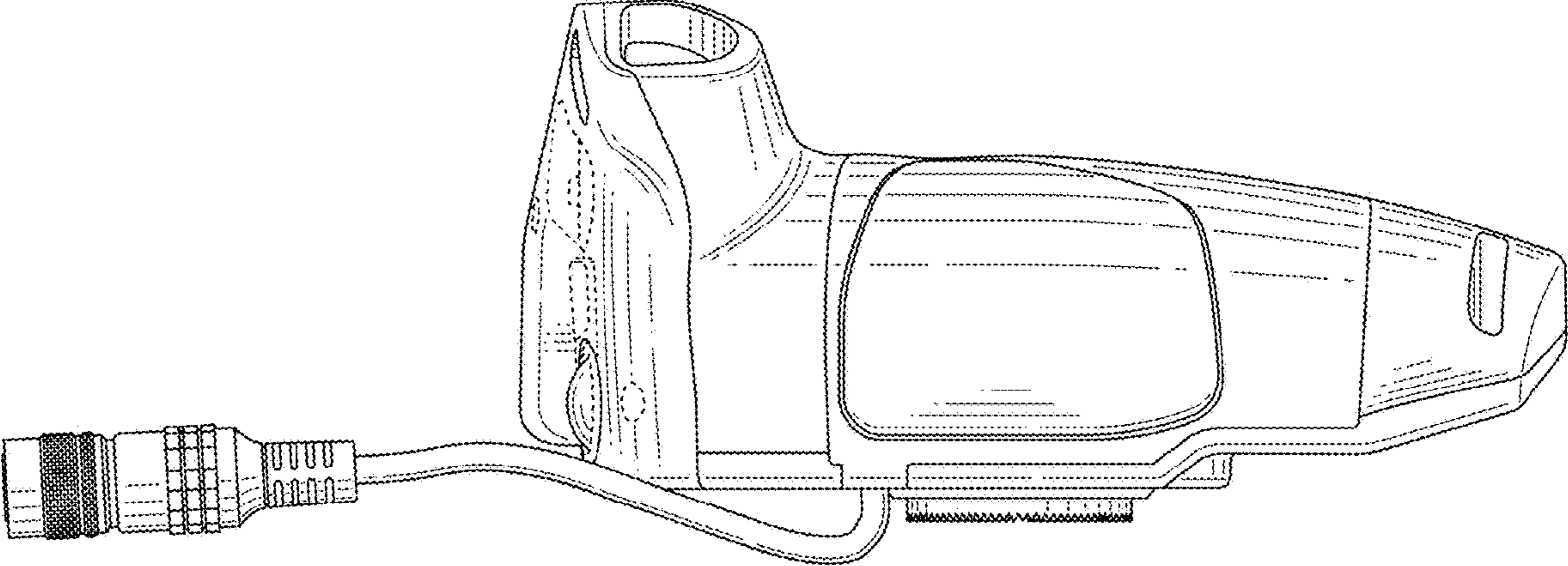


FIG. 5

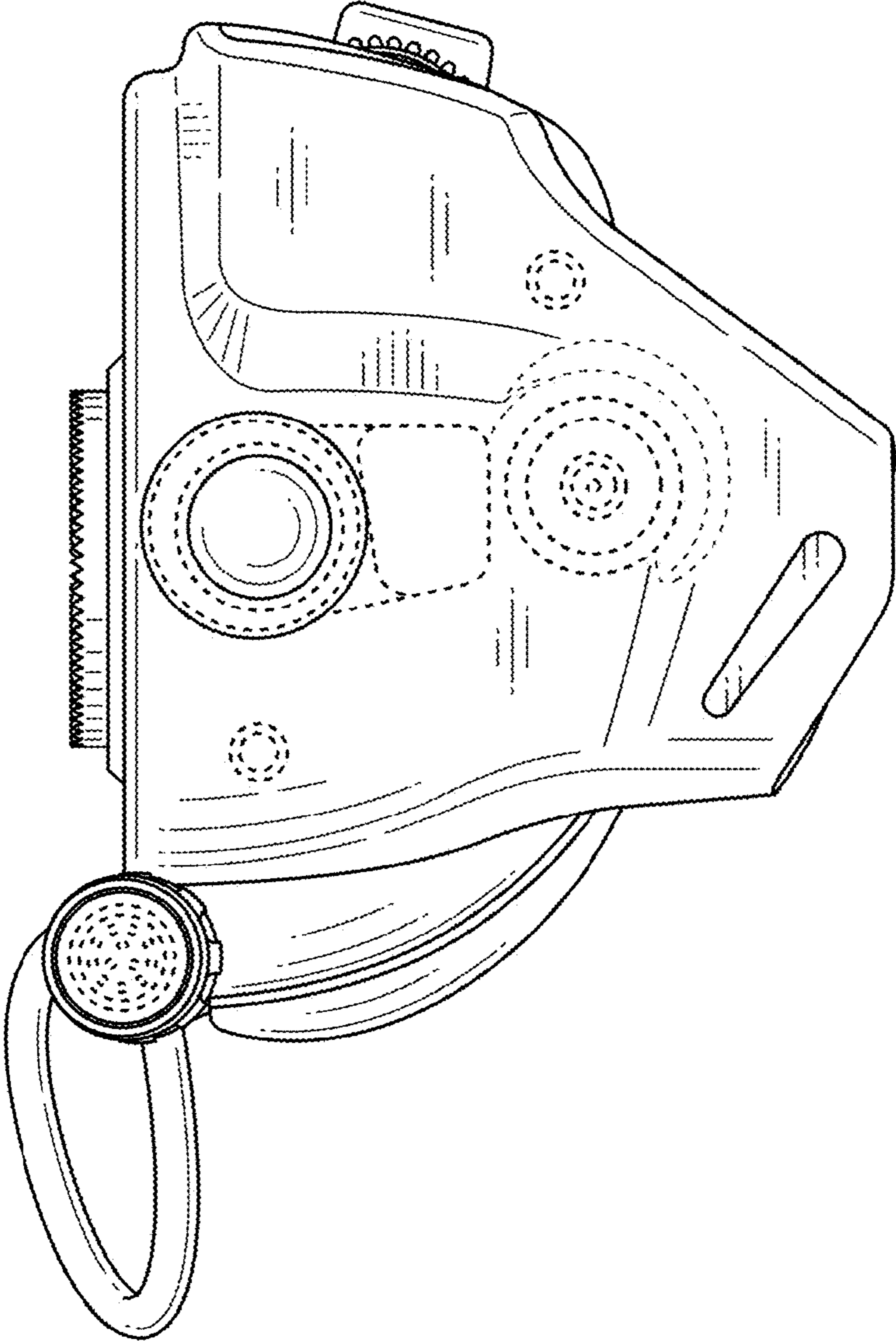


FIG. 6

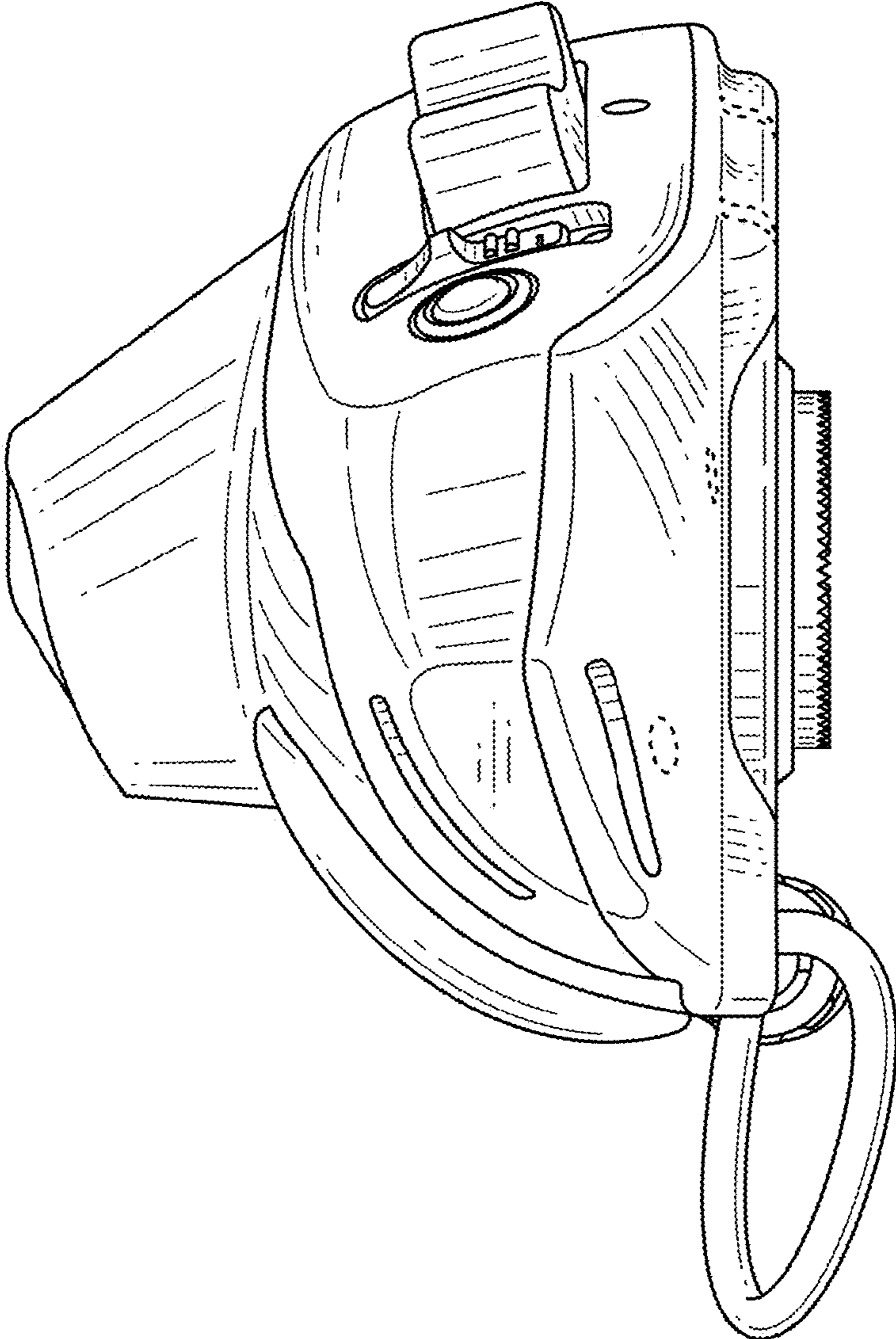


FIG. 7

