



US00D926854S

(12) **United States Design Patent** (10) **Patent No.:** **US D926,854 S**  
**Kimura** (45) **Date of Patent:** **\*\* Aug. 3, 2021**

(54) **SHOULDER ADAPTER FOR DIGITAL VIDEO CAMERA**

(56) **References Cited**

(71) Applicant: **CANON KABUSHIKI KAISHA,**  
Tokyo (JP)

(72) Inventor: **Hiroyuki Kimura,** Tokyo (JP)

(73) Assignee: **Canon Kabushiki Kaisha,** Tokyo (JP)

(\*\*) Term: **15 Years**

(21) Appl. No.: **29/664,232**

(22) Filed: **Sep. 24, 2018**

**Related U.S. Application Data**

(62) Division of application No. 35/503,265, filed on Dec. 26, 2016 (U.S. filing date under 35 U.S.C. 384), and having an international filing date of Dec. 26, 2016, now Pat. No. Des. 875,805.

(30) **Foreign Application Priority Data**

Jun. 30, 2016 (JP) ..... 2016-013980

(51) **LOC (13) Cl.** ..... **16-01**

(52) **U.S. Cl.**  
USPC ..... **D16/202**

(58) **Field of Classification Search**  
USPC ..... D16/200, 202–206, 208, 218, 219, 242,  
D16/243  
CPC ..... G03B 17/02; G03B 17/04; G03B 17/56;  
G03B 17/14; G03B 19/04; H04N 5/2251;  
H04N 5/2252; H04N 5/2253; H04N  
5/2254

See application file for complete search history.

**U.S. PATENT DOCUMENTS**

D407,733	S	*	4/1999	Fukushima	.....	D16/243
D564,567	S	*	3/2008	Dordick	.....	D16/242
D656,533	S	*	3/2012	Dordick	.....	D16/242
D696,333	S		12/2013	Takahashi et al.		
D728,001	S	*	4/2015	Zhan	.....	D16/243
D754,230	S		4/2016	Mori et al.		
9,557,006	B2	*	1/2017	Fee	.....	G03B 17/561
D868,877	S	*	12/2019	Lin	.....	D16/243

\* cited by examiner

*Primary Examiner* — Holly E Thurman

(74) *Attorney, Agent, or Firm* — Venable LLP

(57) **CLAIM**

The ornamental design for a shoulder adapter for digital video camera, as shown and described.

**DESCRIPTION**

- FIG. 1 : Front
- FIG. 2 : Back
- FIG. 3 : Top
- FIG. 4 : Bottom
- FIG. 5 : Left
- FIG. 6 : Right; and,
- FIG. 7 : Perspective.

The broken lines illustrate features of the shoulder adapter for digital video camera that form no part of the claimed design.

**1 Claim, 7 Drawing Sheets**

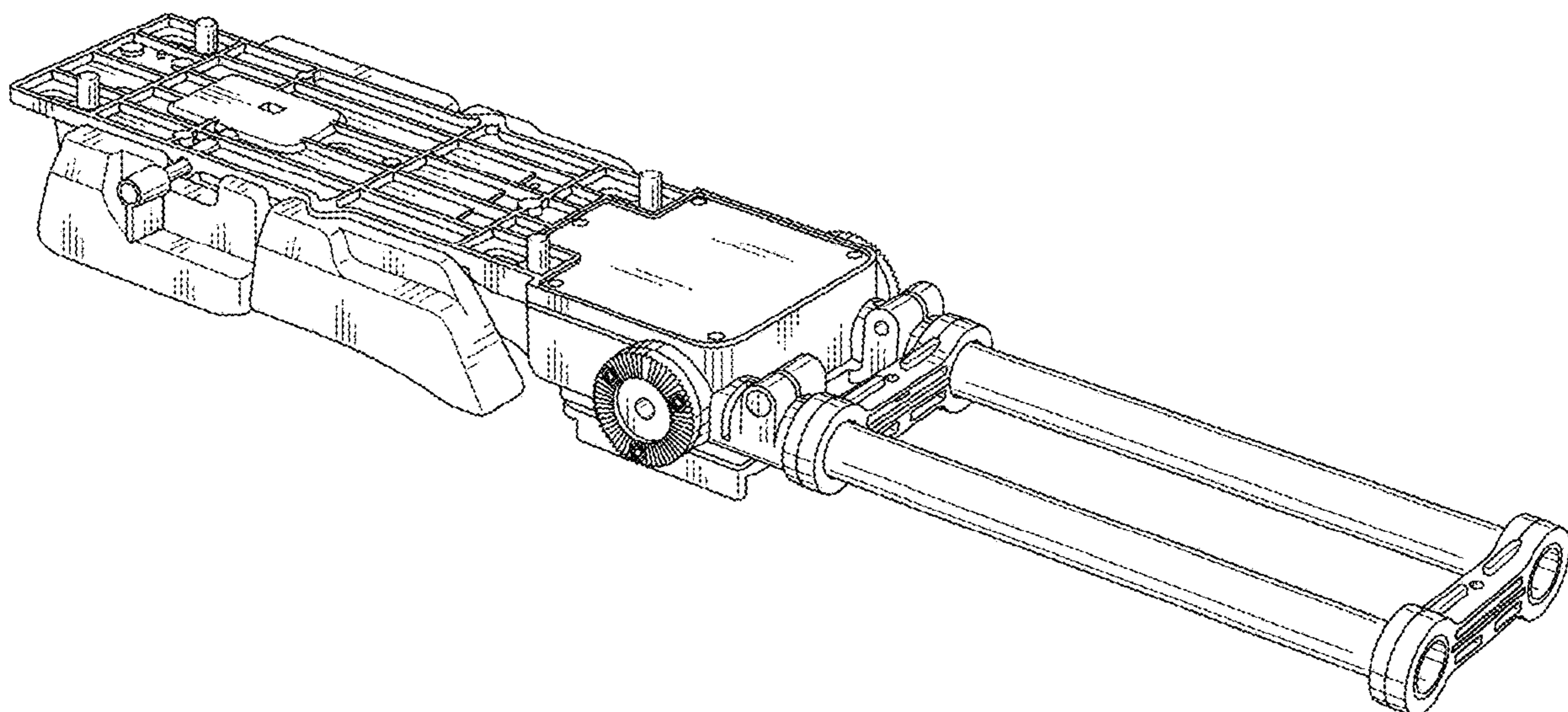


FIG. 1

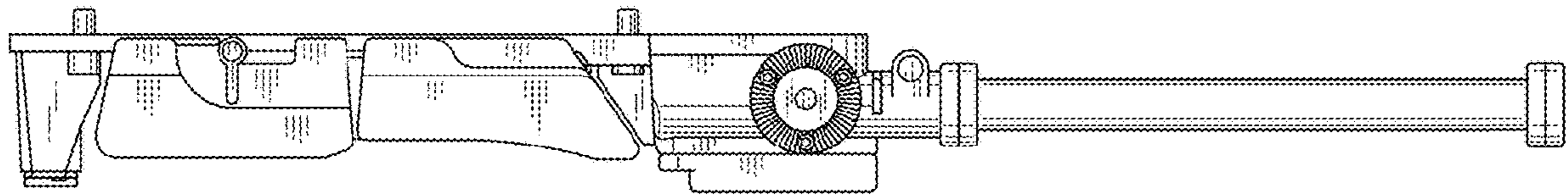


FIG. 2

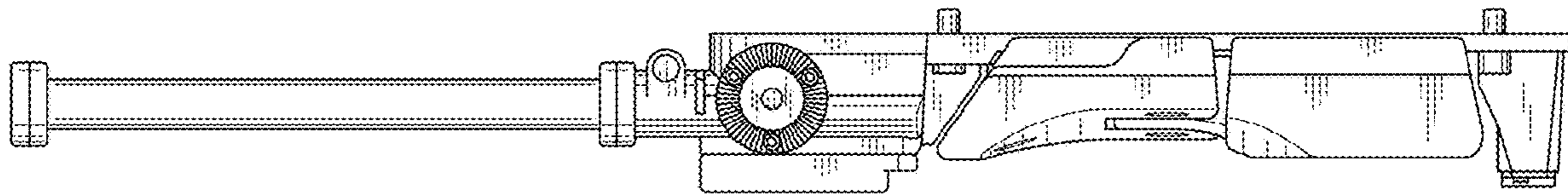


FIG. 3

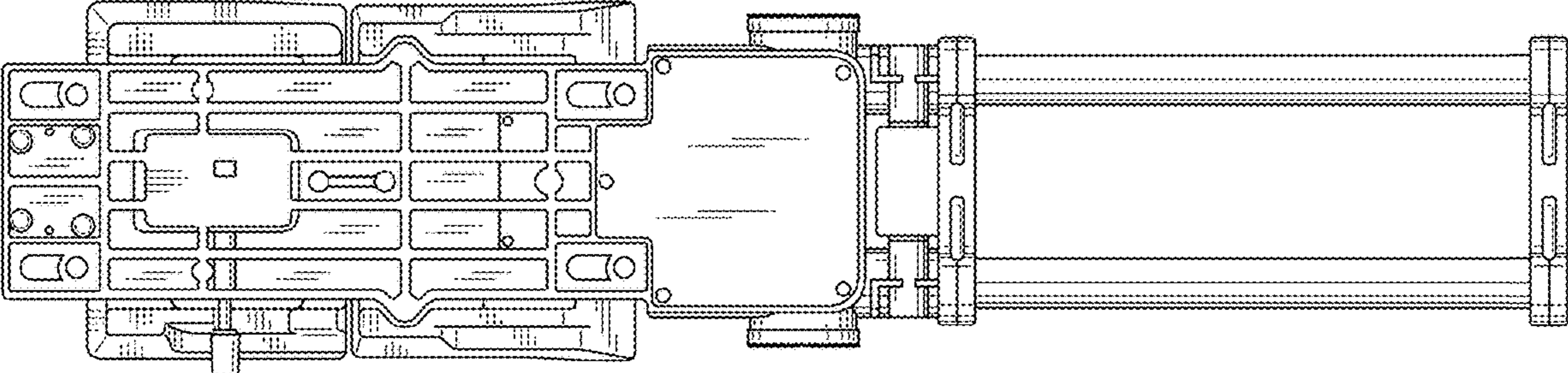


FIG. 4

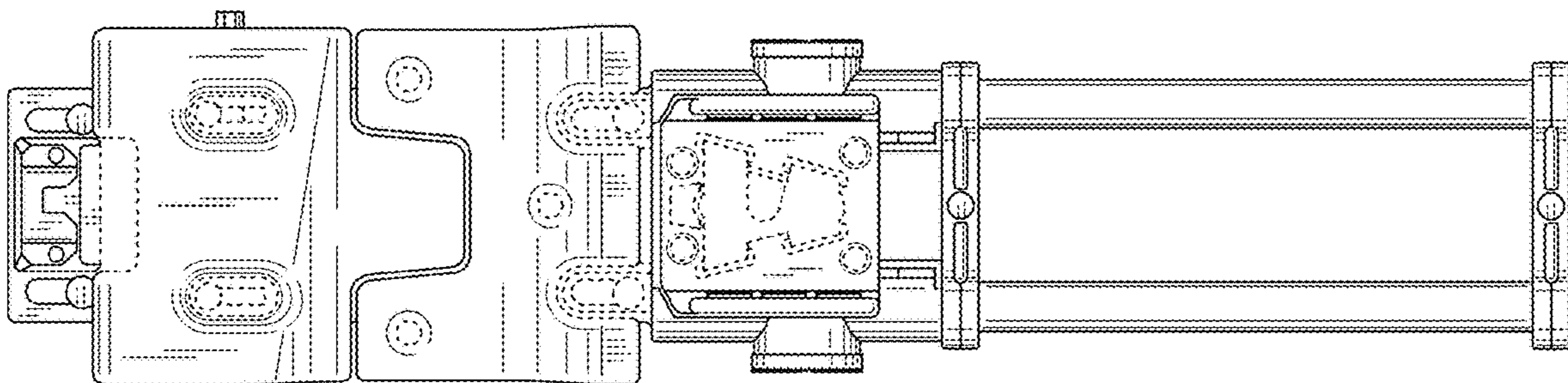


FIG. 5

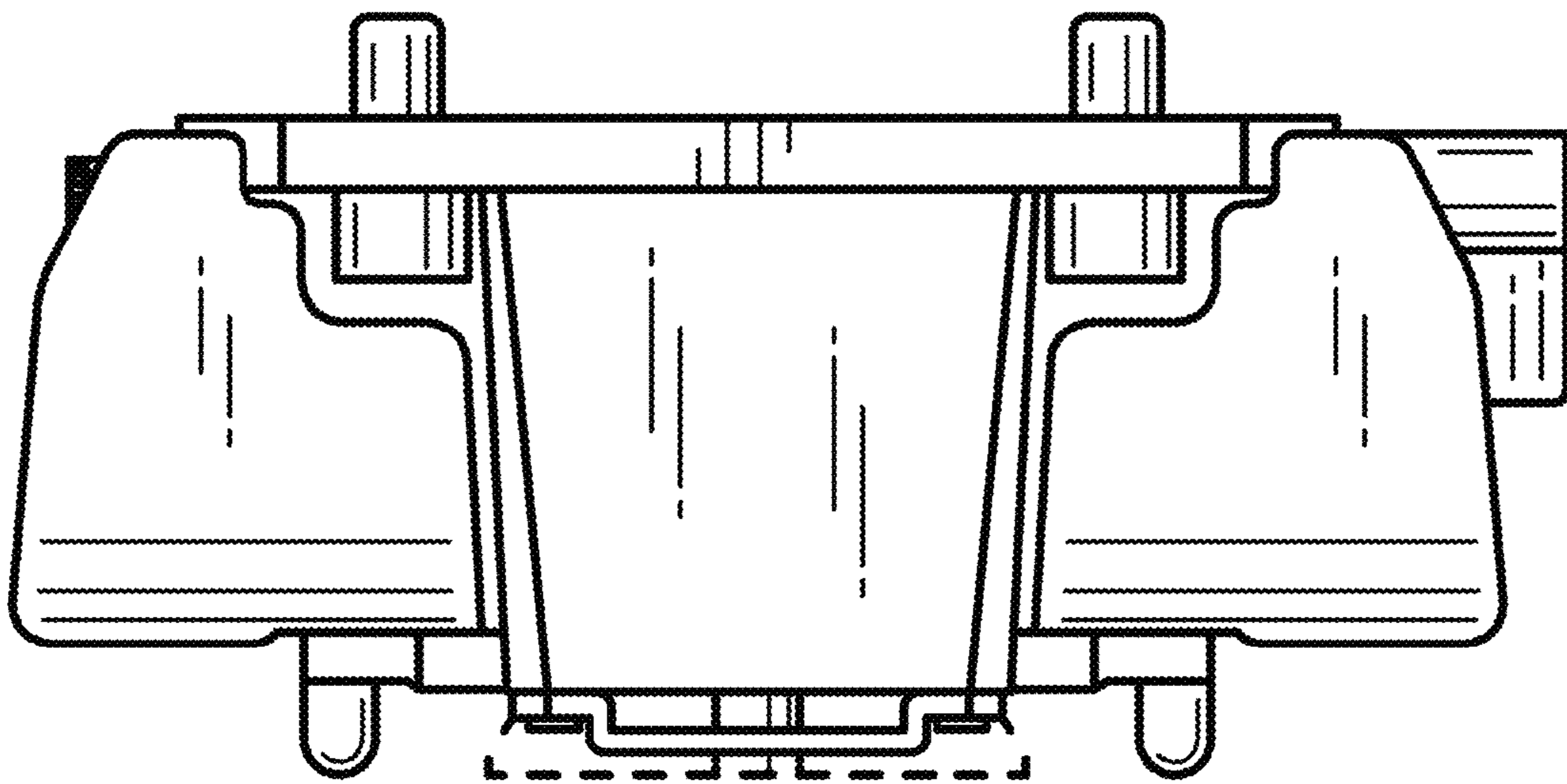




FIG. 6

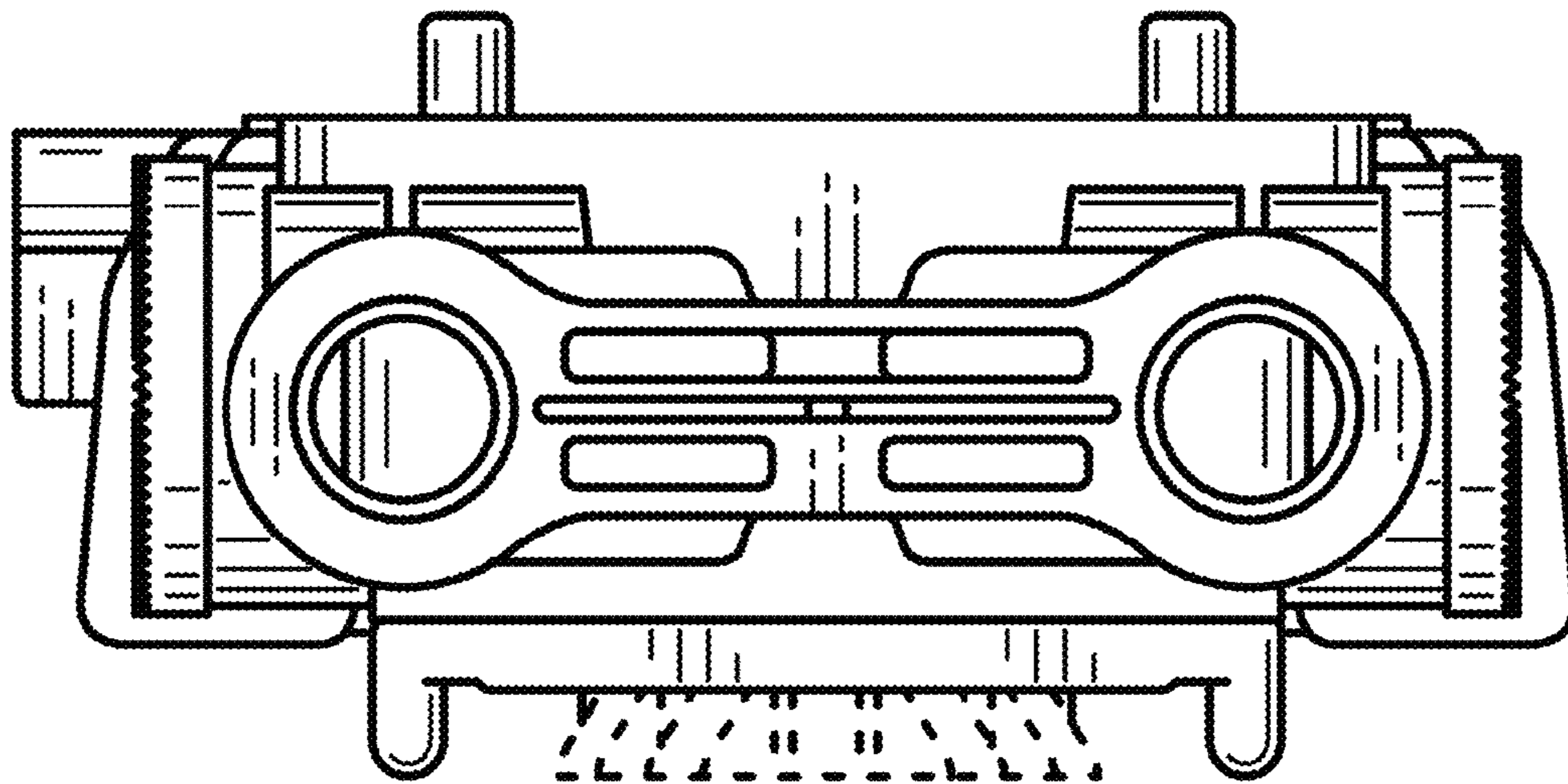


FIG. 7

