



US00D926853S

(12) **United States Design Patent**  
**Wei**

(10) **Patent No.:** **US D926,853 S**

(45) **Date of Patent:** **\*\* Aug. 3, 2021**

- (54) **CAMERA PROTECTIVE CASE**
- (71) Applicant: **Dongzhi Wei**, Shenzhen (CN)
- (72) Inventor: **Dongzhi Wei**, Shenzhen (CN)
- (\*\*) Term: **15 Years**
- (21) Appl. No.: **29/752,390**
- (22) Filed: **Sep. 27, 2020**
- (51) **LOC (13) Cl.** ..... **16-01**
- (52) **U.S. Cl.**  
USPC ..... **D16/200**
- (58) **Field of Classification Search**  
USPC ..... D16/200, 202–206, 208, 218, 219;  
D21/514; 348/373–376; 396/535,  
396/539–541  
CPC ..... G03B 15/03; G03B 17/02; G03B 17/04;  
G03B 17/56; G03B 19/04; H04N 5/2251;  
H04N 5/2252; H04N 5/2253; H04N  
5/2254; H04N 2101/00  
See application file for complete search history.

(56) **References Cited**

**U.S. PATENT DOCUMENTS**

- D522,557 S \* 6/2006 Chen ..... D16/202
- D647,554 S \* 10/2011 Yim ..... D16/204
- 8,544,643 B2 \* 10/2013 Yim ..... G03B 17/08  
206/316.2
- D710,922 S \* 8/2014 Gioscia ..... D16/200
- D748,712 S \* 2/2016 Tompkin ..... D16/218
- D750,680 S \* 3/2016 Chen ..... D16/200

- D776,741 S \* 1/2017 Parfitt ..... D16/204
- D816,140 S \* 4/2018 Ranetkins ..... G03B 17/08  
D16/200
- D821,476 S \* 6/2018 Martin ..... D16/202
- D837,274 S 1/2019 Ainetoft et al.
- D855,098 S 7/2019 Stinis
- D865,836 S \* 11/2019 Puusaari ..... D16/202
- D872,156 S 1/2020 Zhao
- D880,567 S \* 4/2020 Zhang ..... D16/237
- D911,412 S \* 2/2021 Alberstein ..... D16/200
- D912,120 S \* 3/2021 Druker ..... D16/200

\* cited by examiner

*Primary Examiner* — Ramzi Almatrahi

(57) **CLAIM**

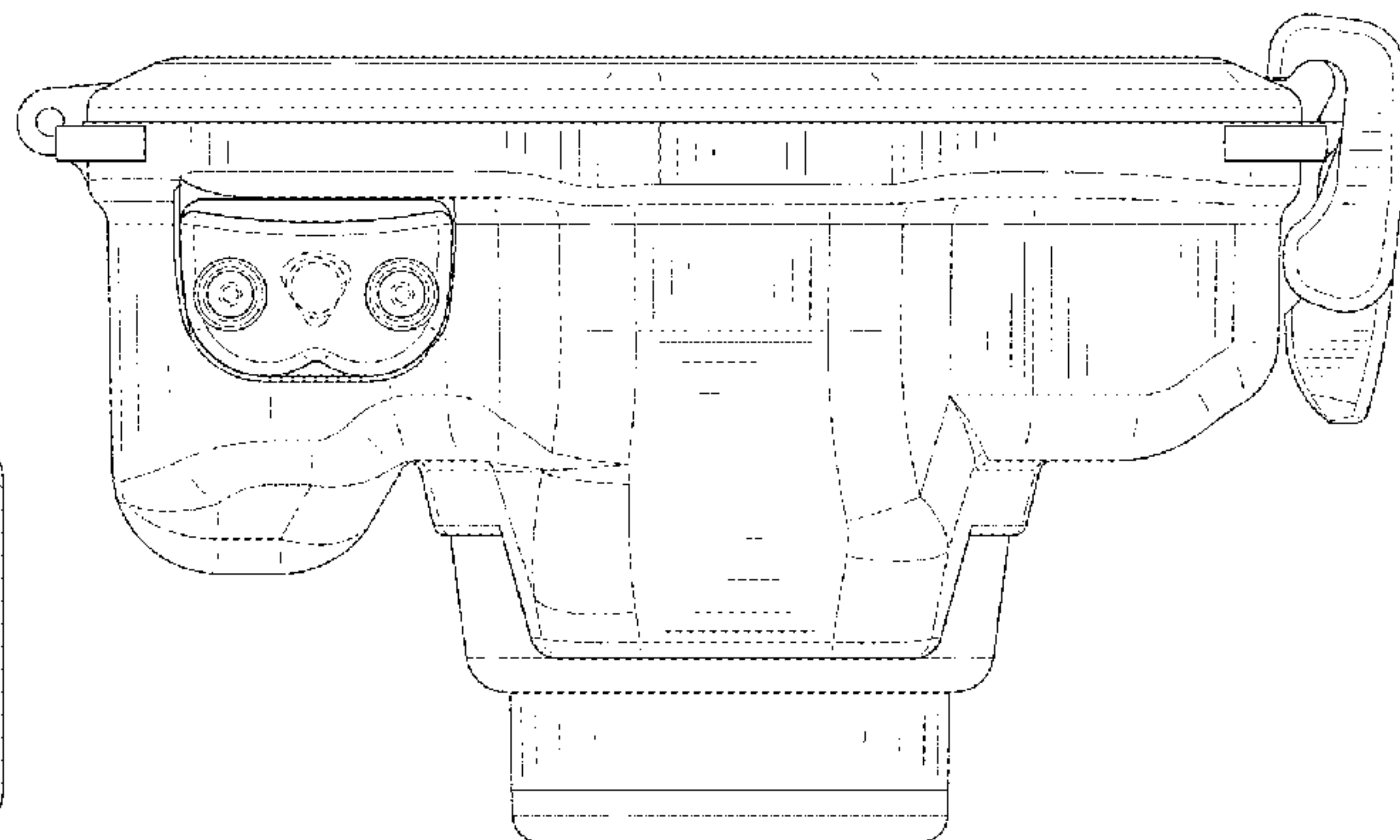
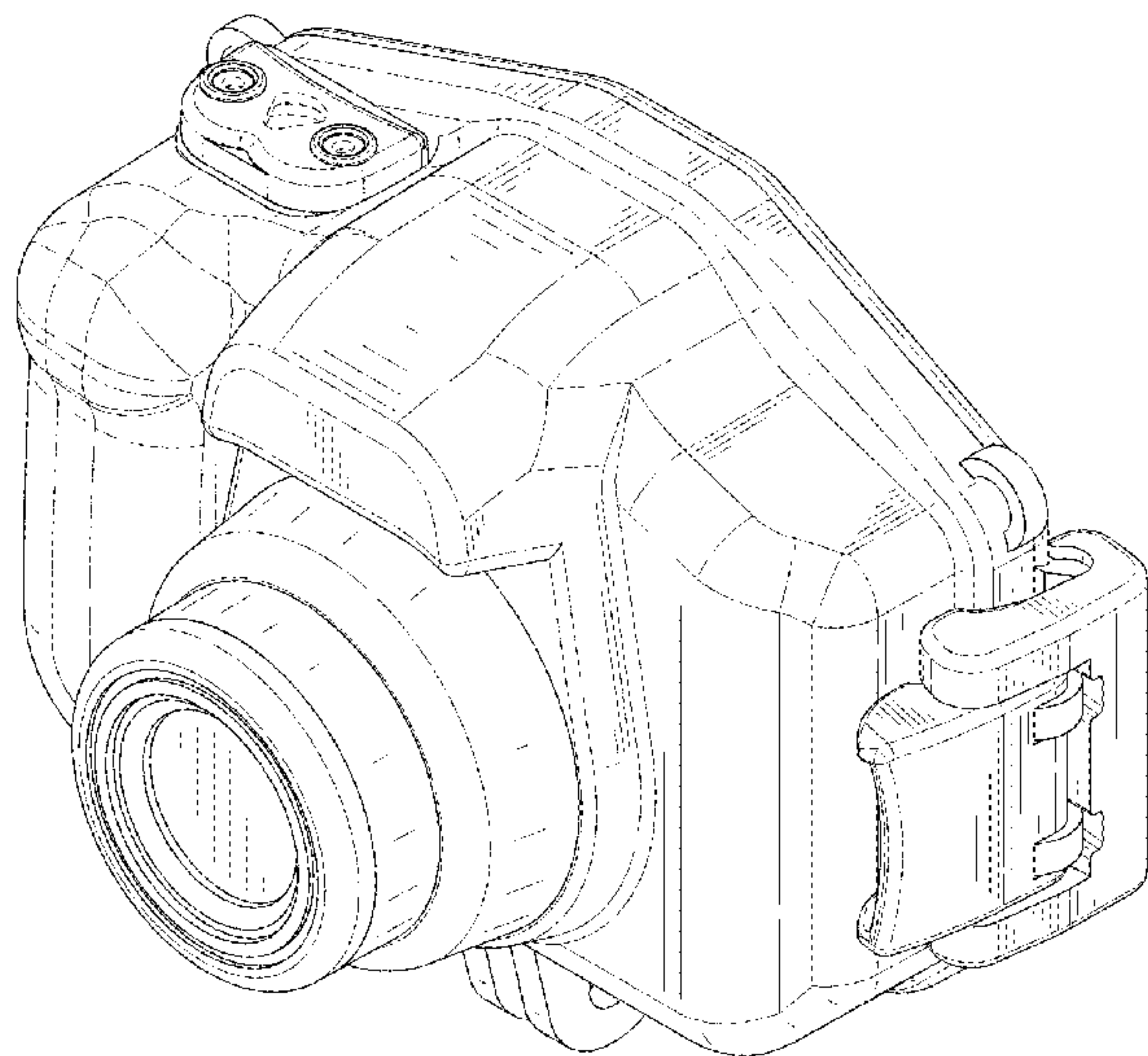
The ornamental design for a camera protective case, as shown and described.

**DESCRIPTION**

FIG. 1 is a top, front and right side perspective view of a camera protective case showing my new design;  
 FIG. 2 is a bottom, back and left side perspective view thereof;  
 FIG. 3 is a front view thereof;  
 FIG. 4 is a back view thereof;  
 FIG. 5 is a left side view thereof;  
 FIG. 6 is a right side view thereof;  
 FIG. 7 is a top view thereof; and,  
 FIG. 8 is a bottom view thereof.

The broken lines shown in the drawings depict portions of the camera protective case in which the design is embodied that form no part of the claimed design.

**1 Claim, 8 Drawing Sheets**



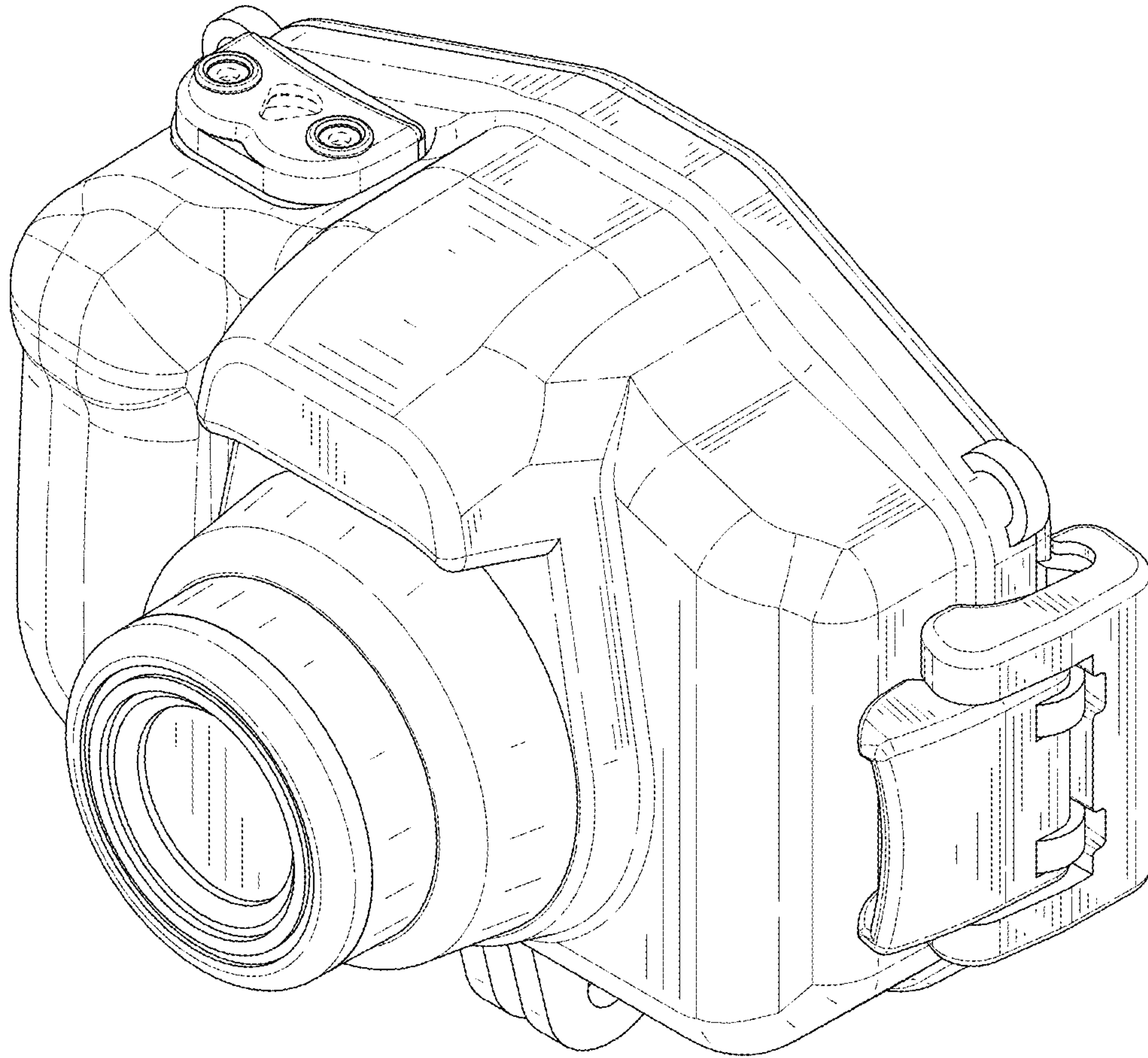


FIG. 1

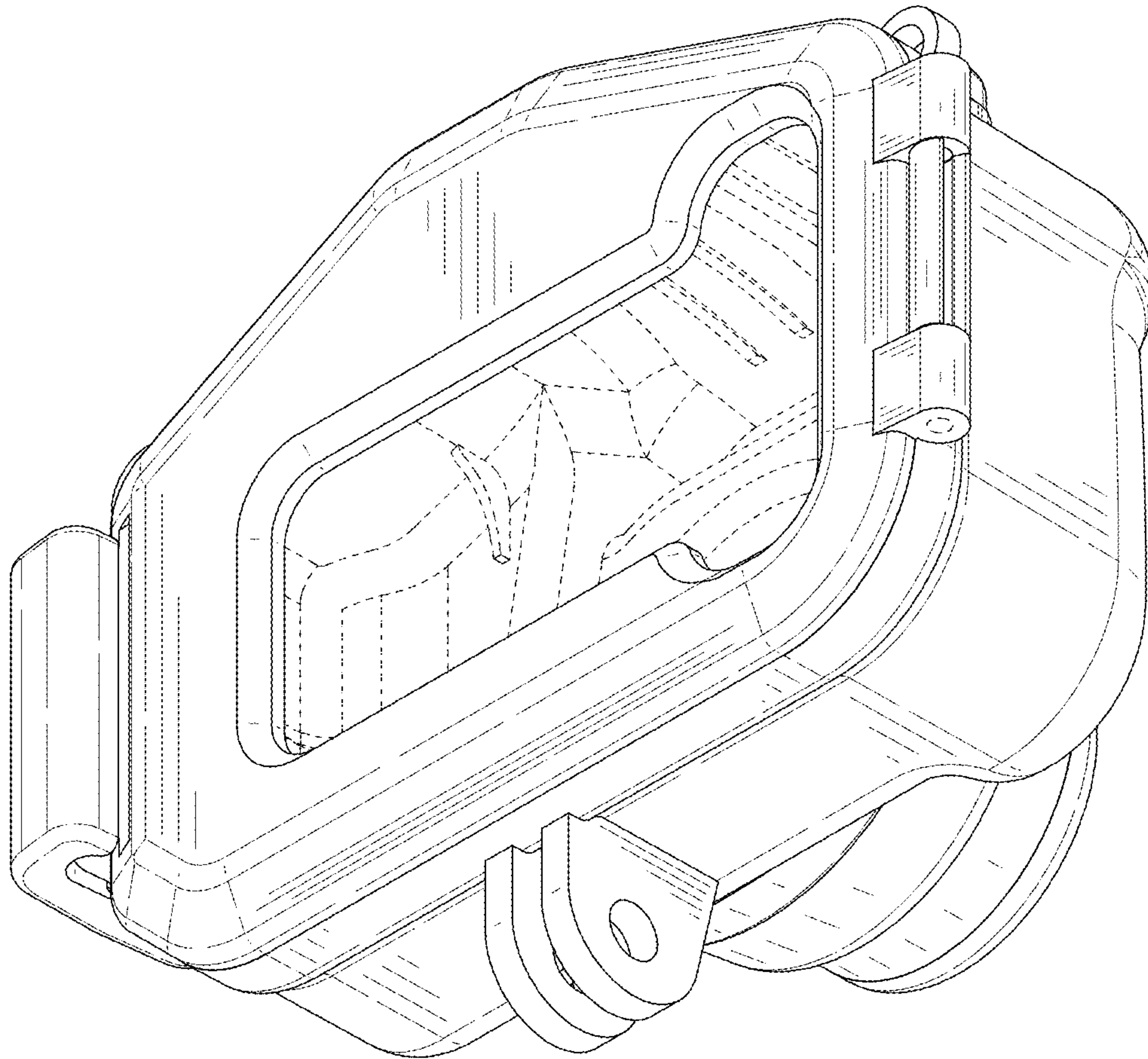


FIG. 2



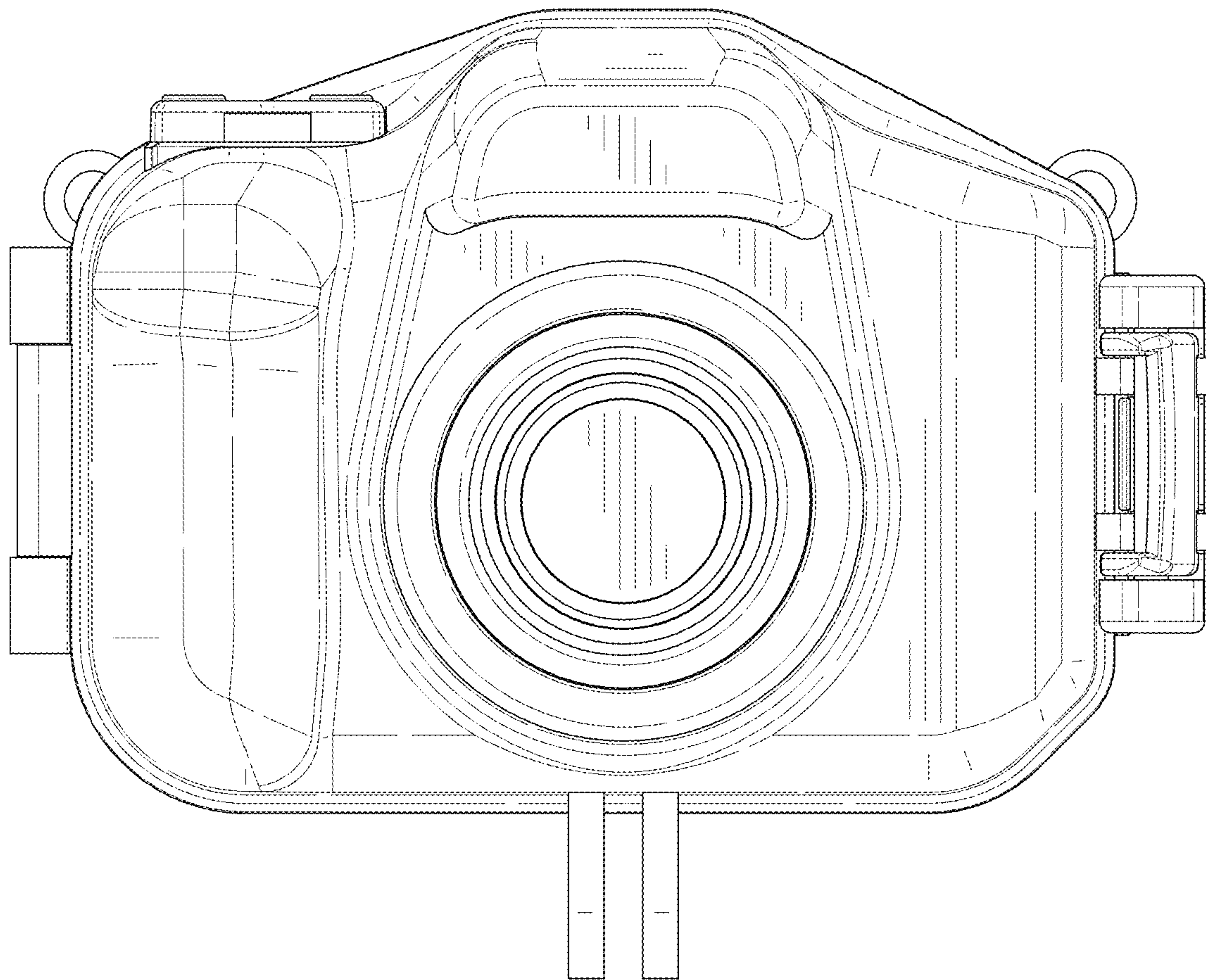


FIG. 3

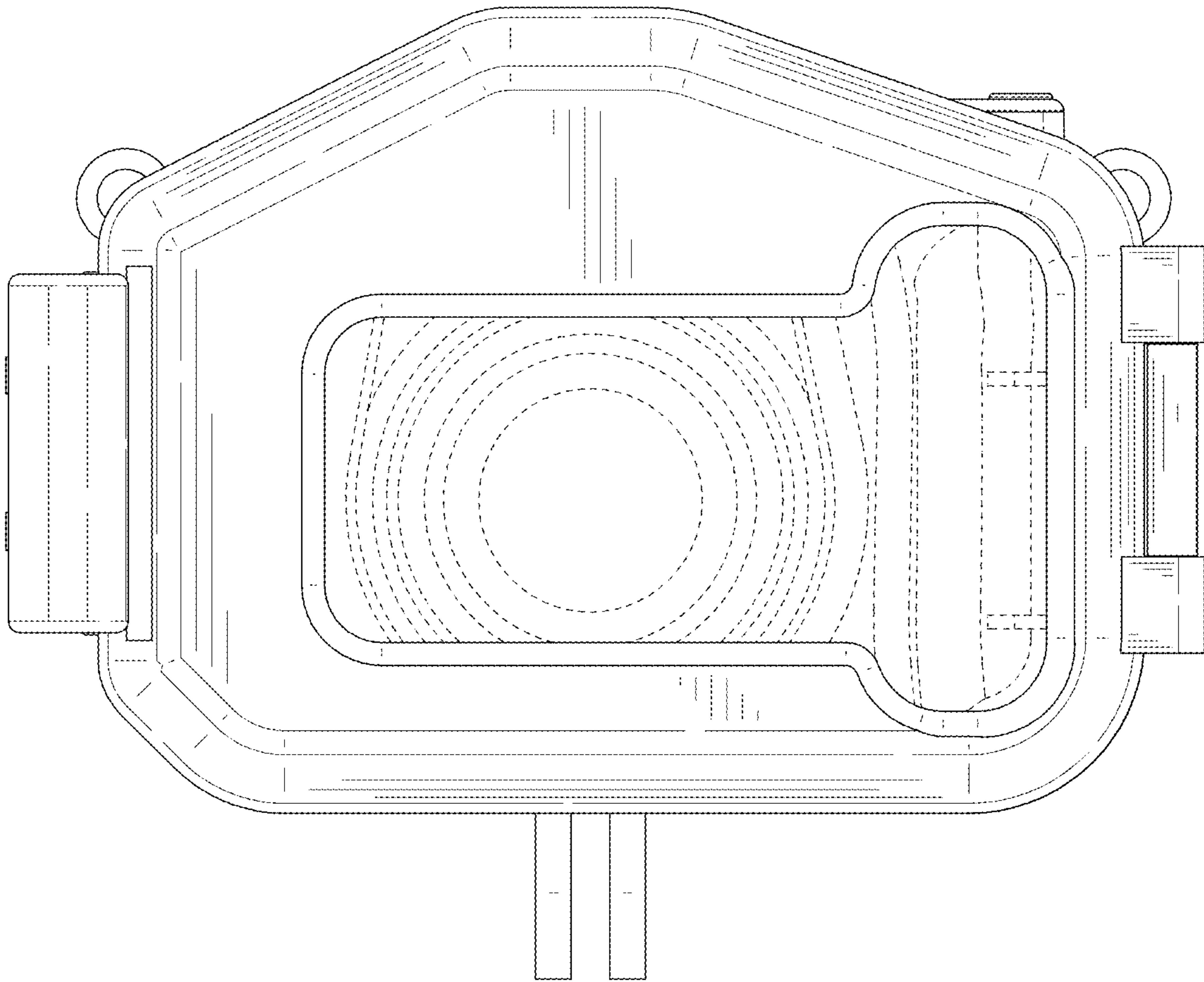


FIG. 4

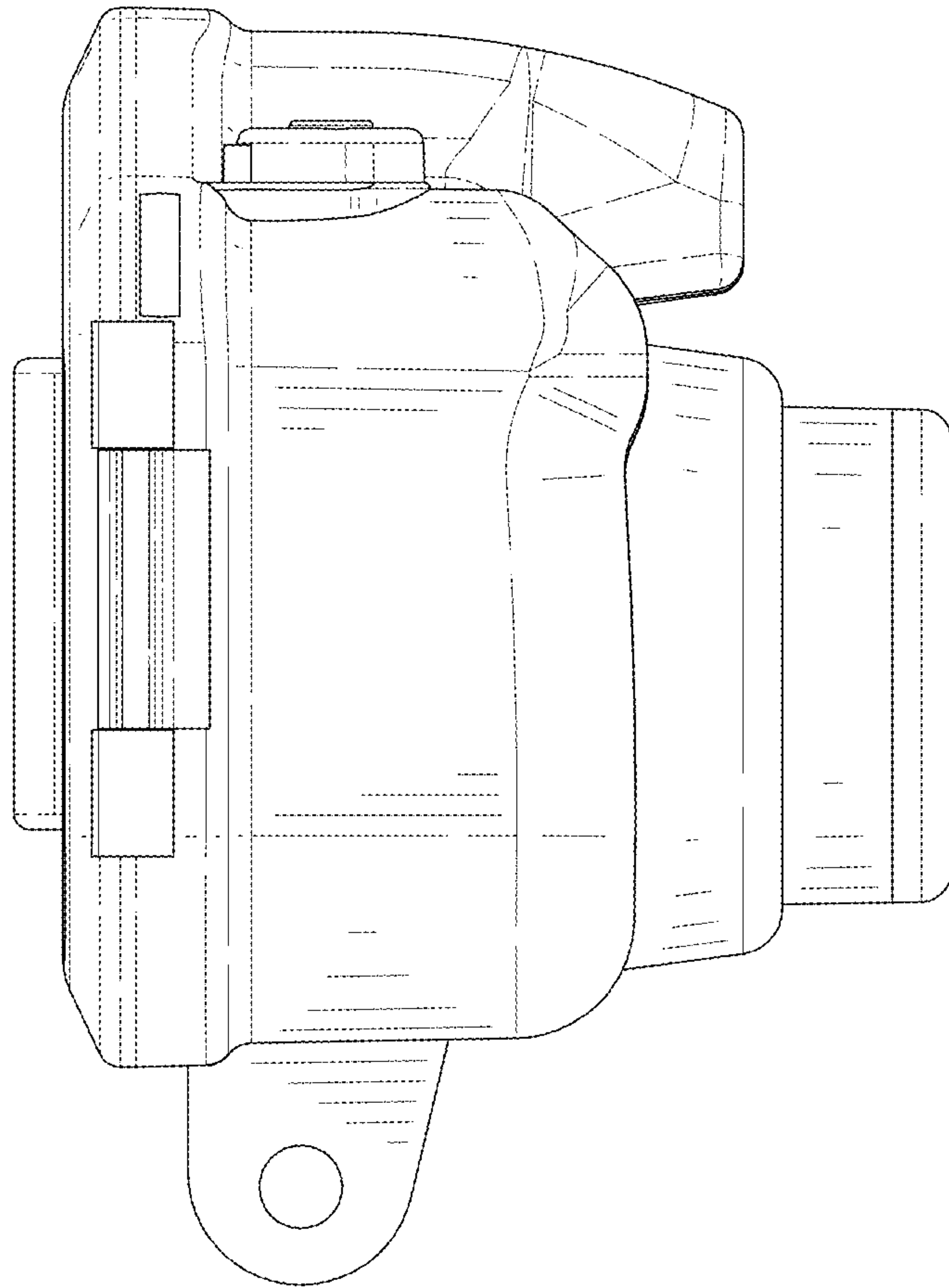


FIG. 5

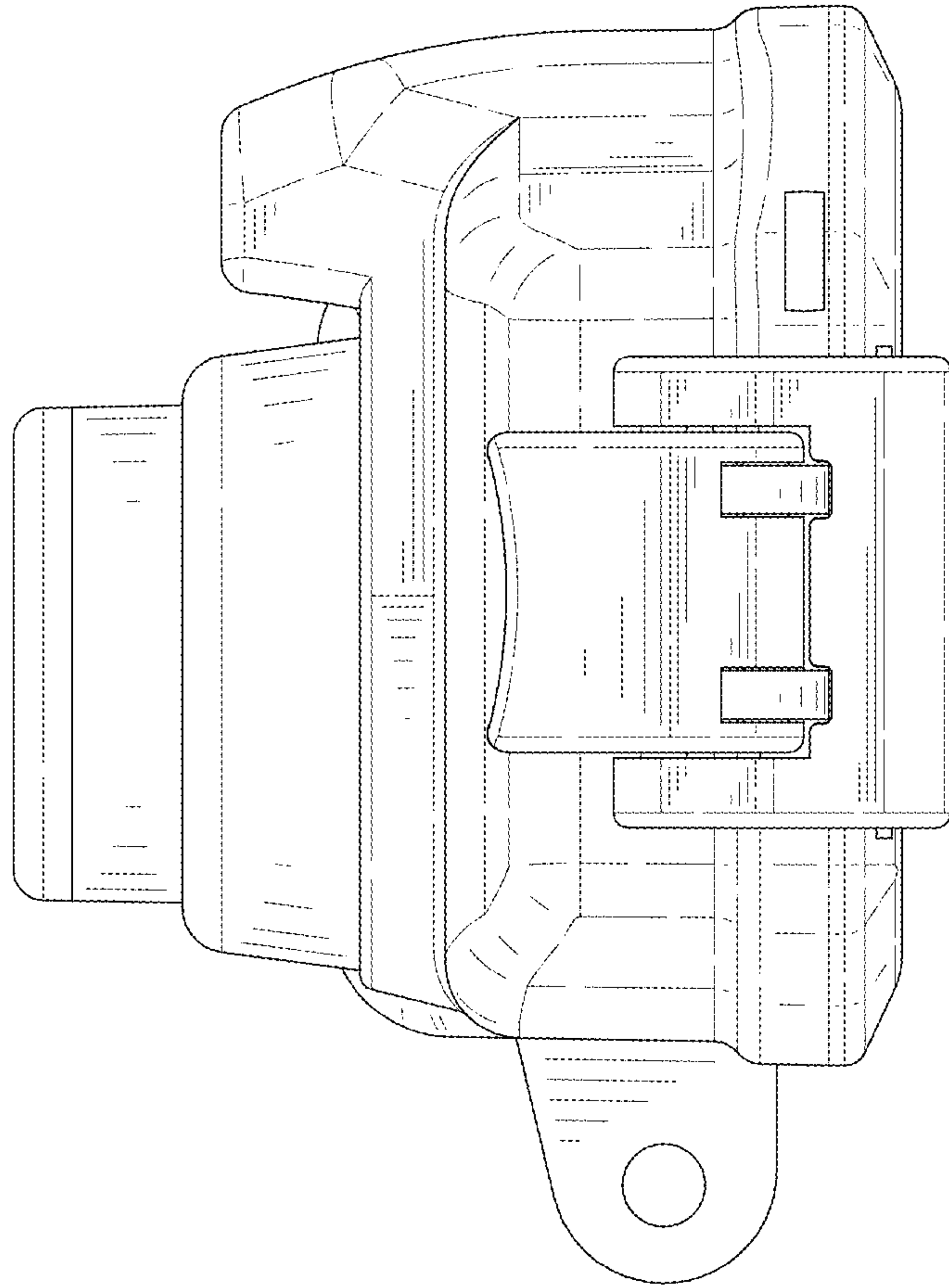


FIG. 6

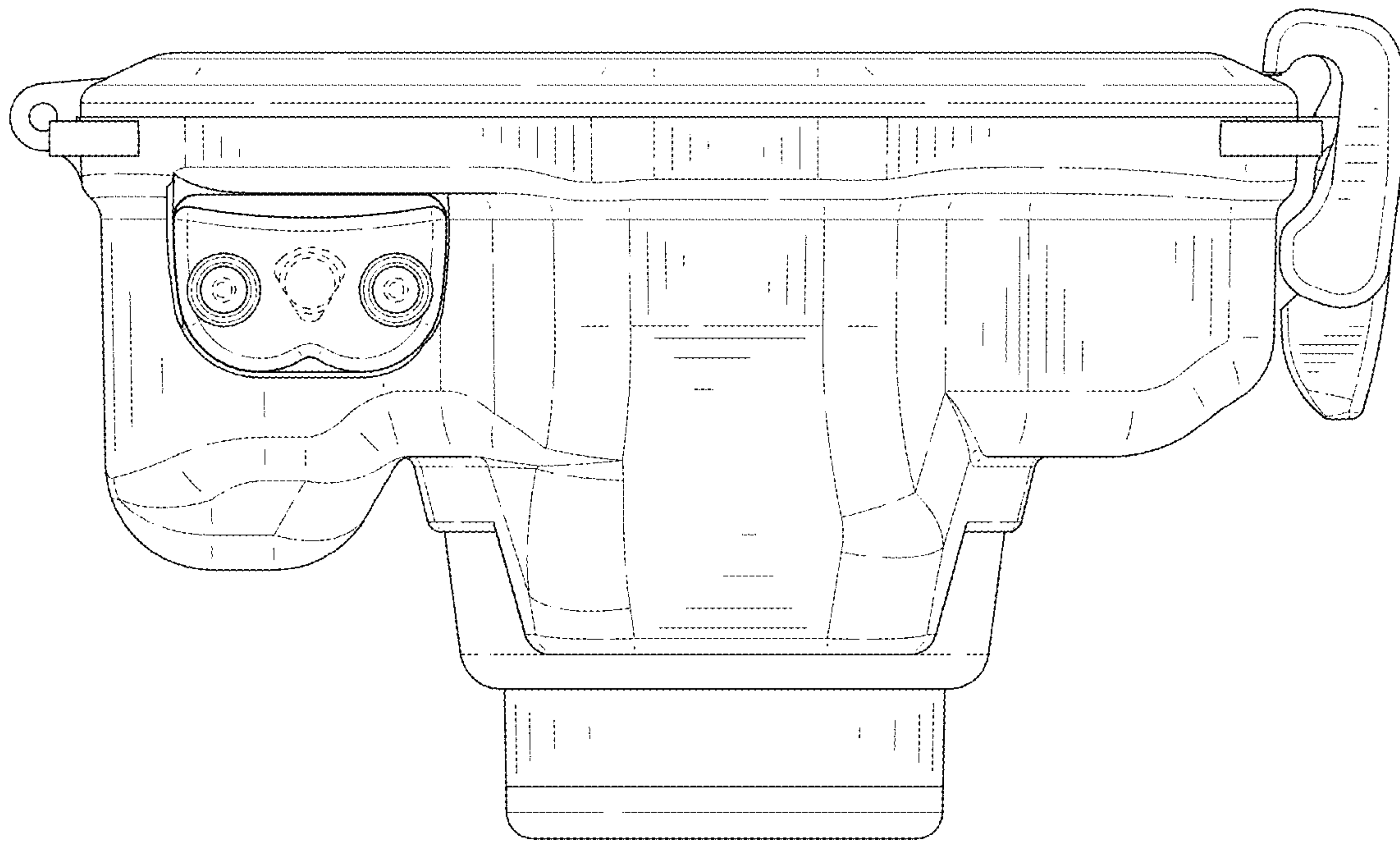


FIG. 7



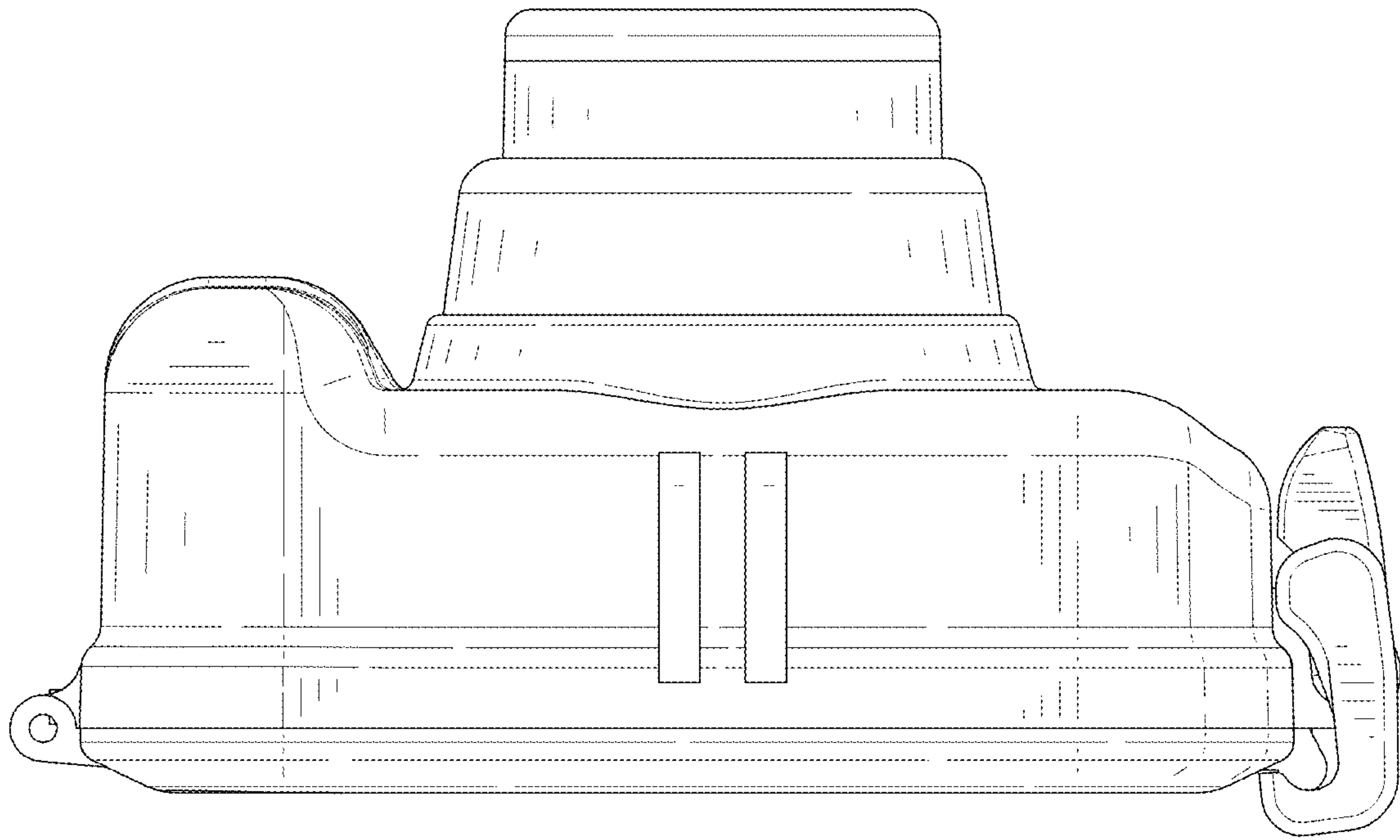


FIG. 8