



US00D926852S

(12) **United States Design Patent**
Iwasaki

(10) **Patent No.:** **US D926,852 S**
(45) **Date of Patent:** **** Aug. 3, 2021**

- (54) **IMAGE PROJECTION PRISM**
- (71) Applicant: **Panasonic Intellectual Property Management Co., Ltd., Osaka (JP)**
- (72) Inventor: **Minoru Iwasaki, Tokyo (JP)**
- (73) Assignee: **Panasonic Intellectual Property Management Co., Ltd., Osaka (JP)**

6,900,916 B2 * 5/2005 Okazaki B82Y 20/00
348/E9.026
6,943,756 B1 * 9/2005 Choi H04N 9/3126
345/32
6,945,652 B2 * 9/2005 Sakata G03B 21/2033
348/201
9,285,187 B2 * 3/2016 Stockdill F41G 1/12
D775,678 S * 1/2017 Cockley D16/137
D798,752 S * 10/2017 Nakaniwa D10/74

* cited by examiner

- (**) Term: **15 Years**
- (21) Appl. No.: **29/636,450**
- (22) Filed: **Feb. 8, 2018**

Primary Examiner — Mark A Goodwin
Assistant Examiner — Benjamin M Weeks
(74) *Attorney, Agent, or Firm* — Brinks Gilson & Lione

(30) **Foreign Application Priority Data**

Aug. 8, 2017 (JP) 2017-017082

- (51) **LOC (13) Cl.** **16-06**
- (52) **U.S. Cl.**
USPC **D16/137**
- (58) **Field of Classification Search**
USPC D8/137, 135, 134, 138, 131, 132, 133,
D8/139, 200, 202–205, 218, 219, 235,
D8/242; D26/1, 2, 6, 65, 66, 68, 69, 72,
D26/74, 76, 86, 87, 88, 138
CPC G03B 21/54; H04N 9/3126; H04N 9/3129
See application file for complete search history.

(57) **CLAIM**

The ornamental design for an image projection prism, as shown and described.

DESCRIPTION

FIG. 1 is a front perspective view showing an image projection prism of the present invention;
FIG. 2 is a rear perspective view thereof;
FIG. 3 is a front view thereof;
FIG. 4 is a rear view thereof;
FIG. 5 is a right side view thereof;
FIG. 6 is a left side view thereof;
FIG. 7 is a top view thereof;
FIG. 8 is a bottom view thereof;
FIG. 9 is a cross-sectional view taken along lines 9-9 in FIG. 7;
FIG. 10 is a cross-sectional view taken along lines 10-10 in FIG. 3; and,
FIG. 11 is a cross-sectional view taken along lines 11-11 in FIG. 3.

The oblique line shading showing of image projection prism is included for the purpose of illustrating transparent or translucent surfaces.

(56) **References Cited**

U.S. PATENT DOCUMENTS

- 4,623,225 A 11/1986 Forkner
- 5,251,747 A * 10/1993 Hansen A47B 81/068
206/225
- 5,263,579 A * 11/1993 Blackman G03B 21/54
206/225
- D344,968 S 3/1994 Dowd
- 6,755,536 B2 * 6/2004 Tegreene G03B 21/28
348/744

1 Claim, 11 Drawing Sheets

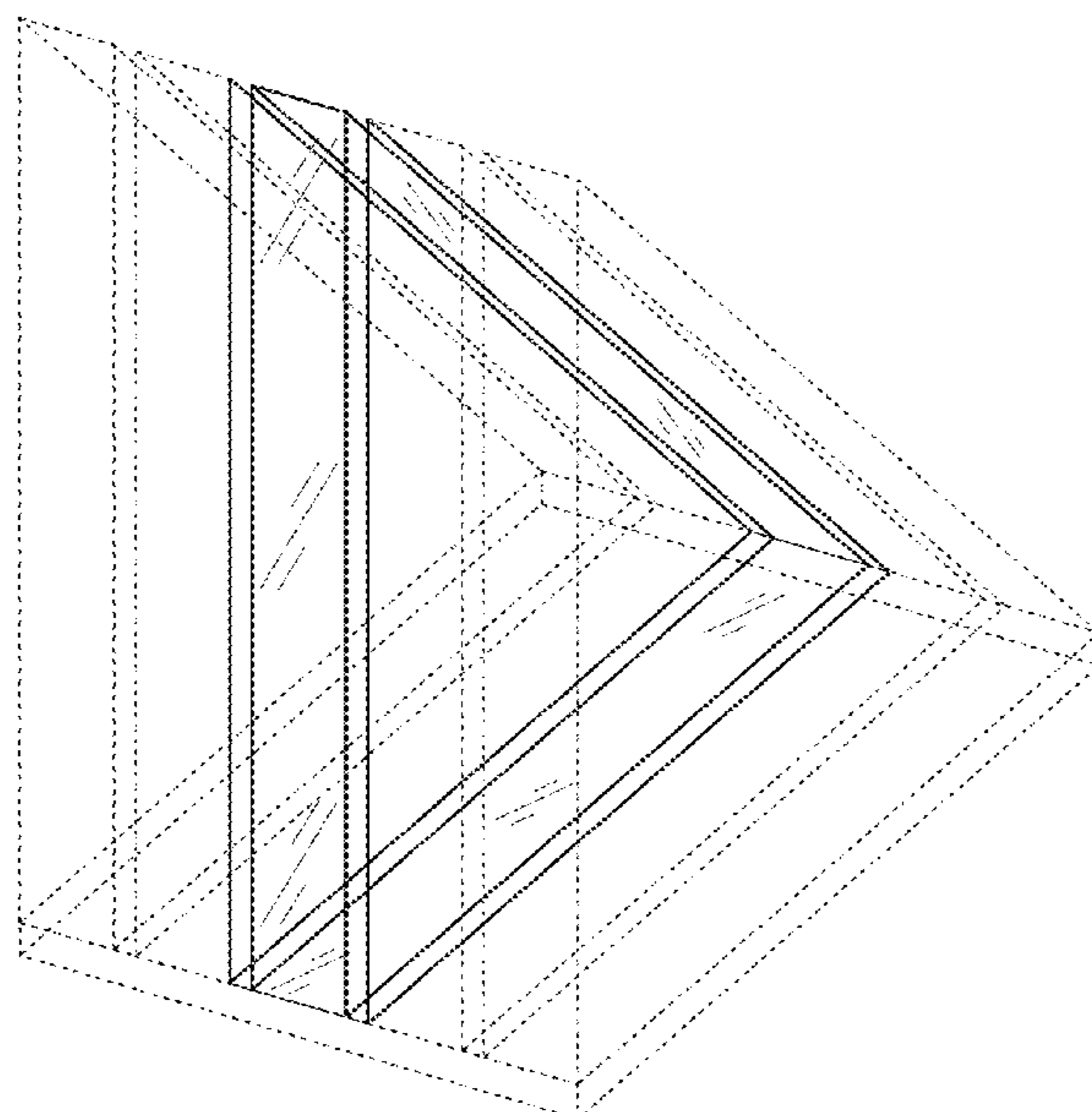


FIG. 1

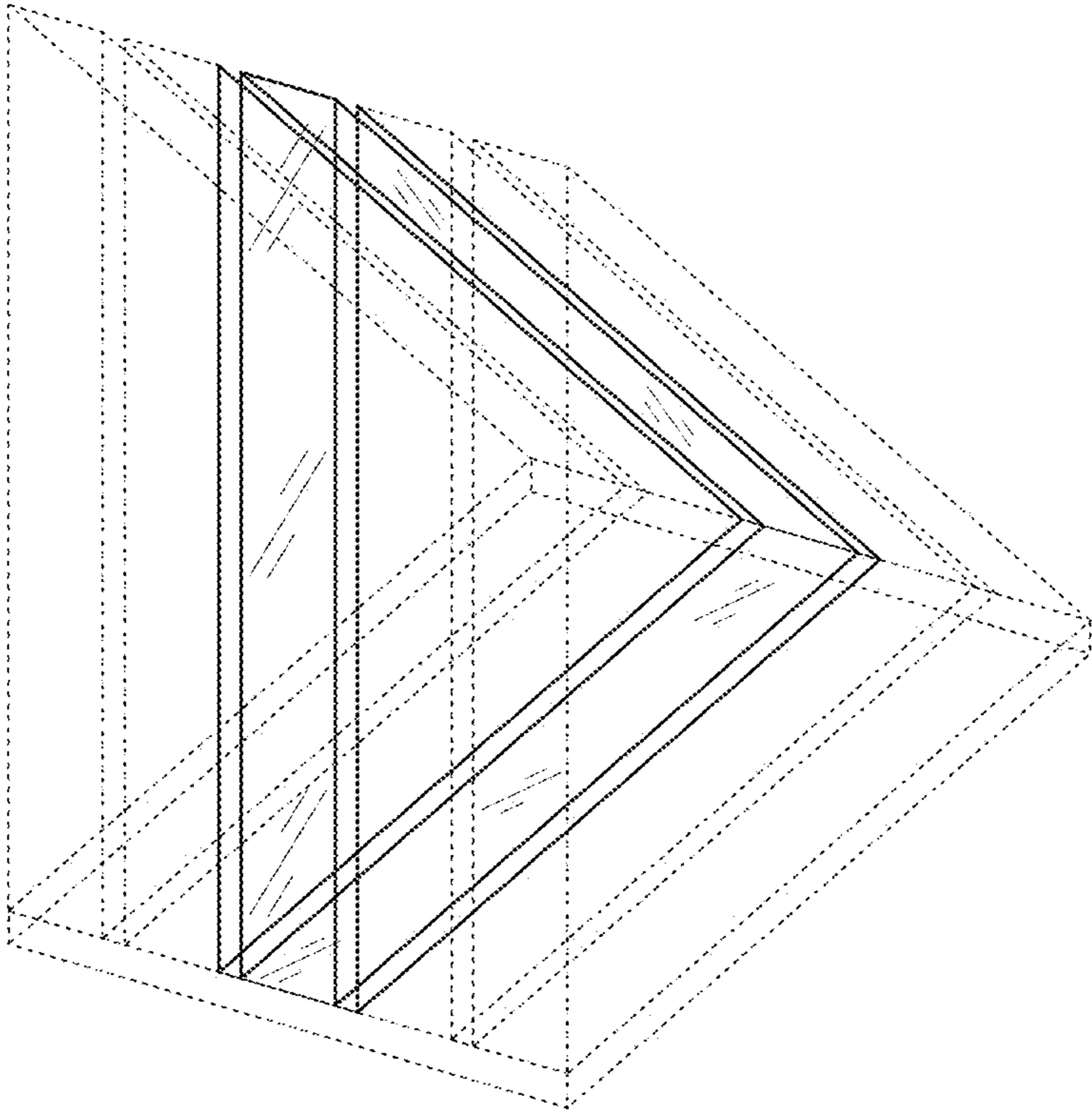


FIG. 2

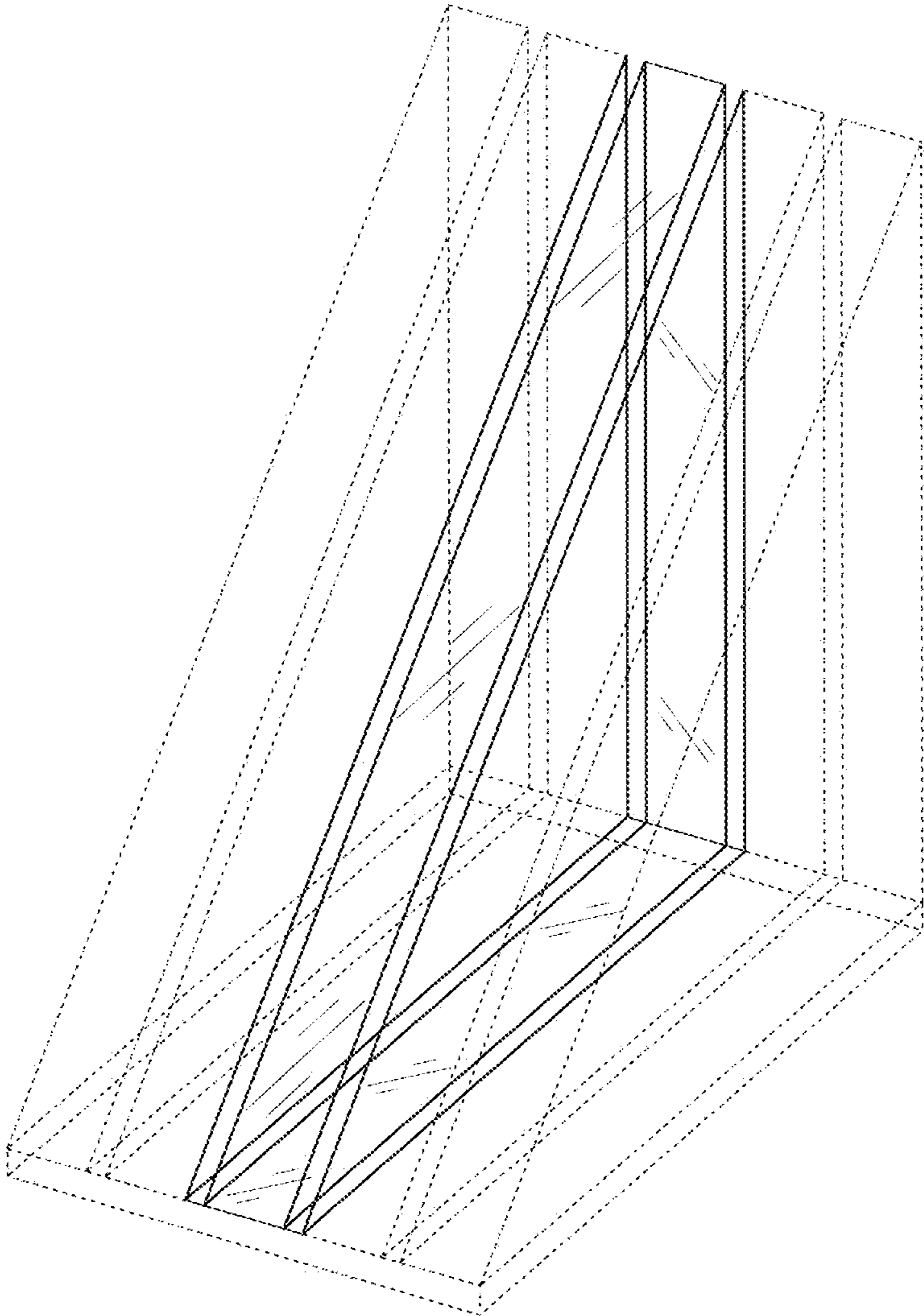


FIG. 3

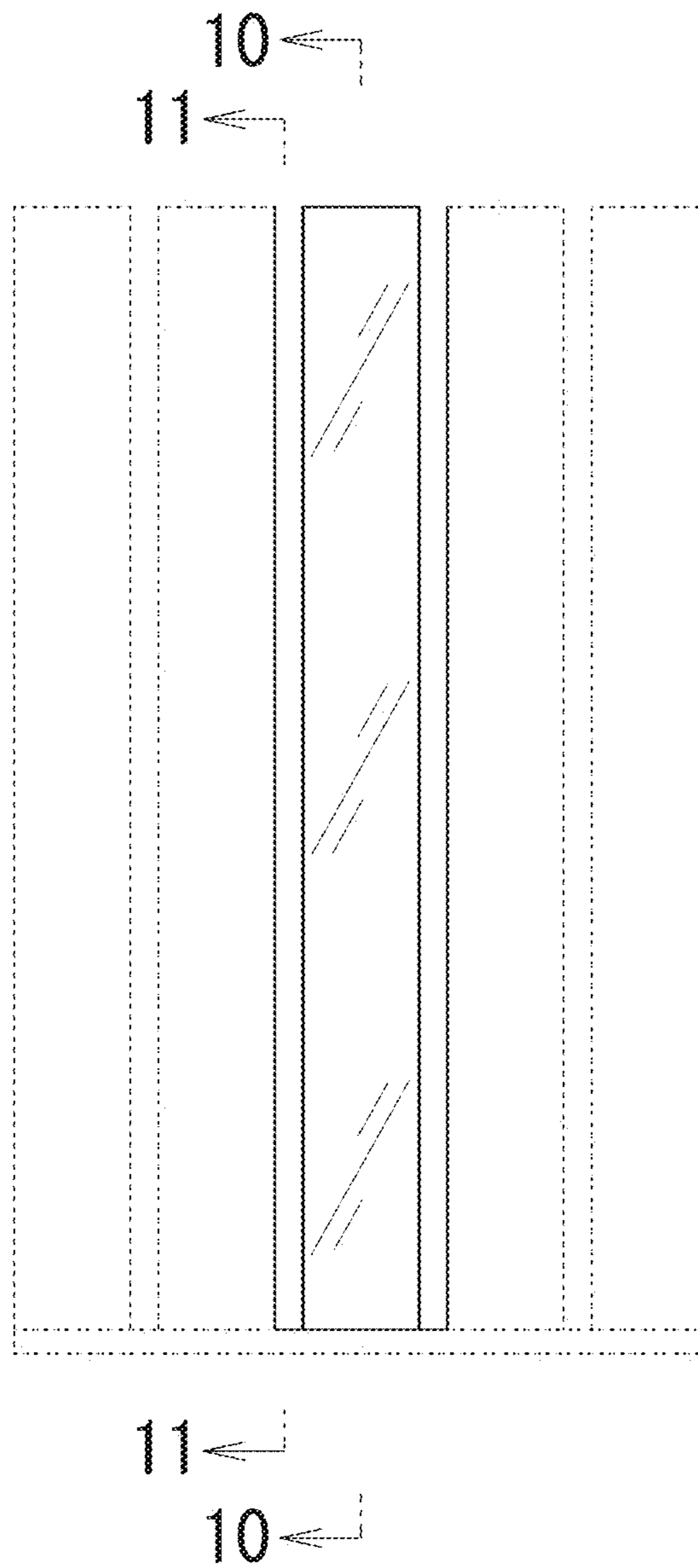


FIG. 4

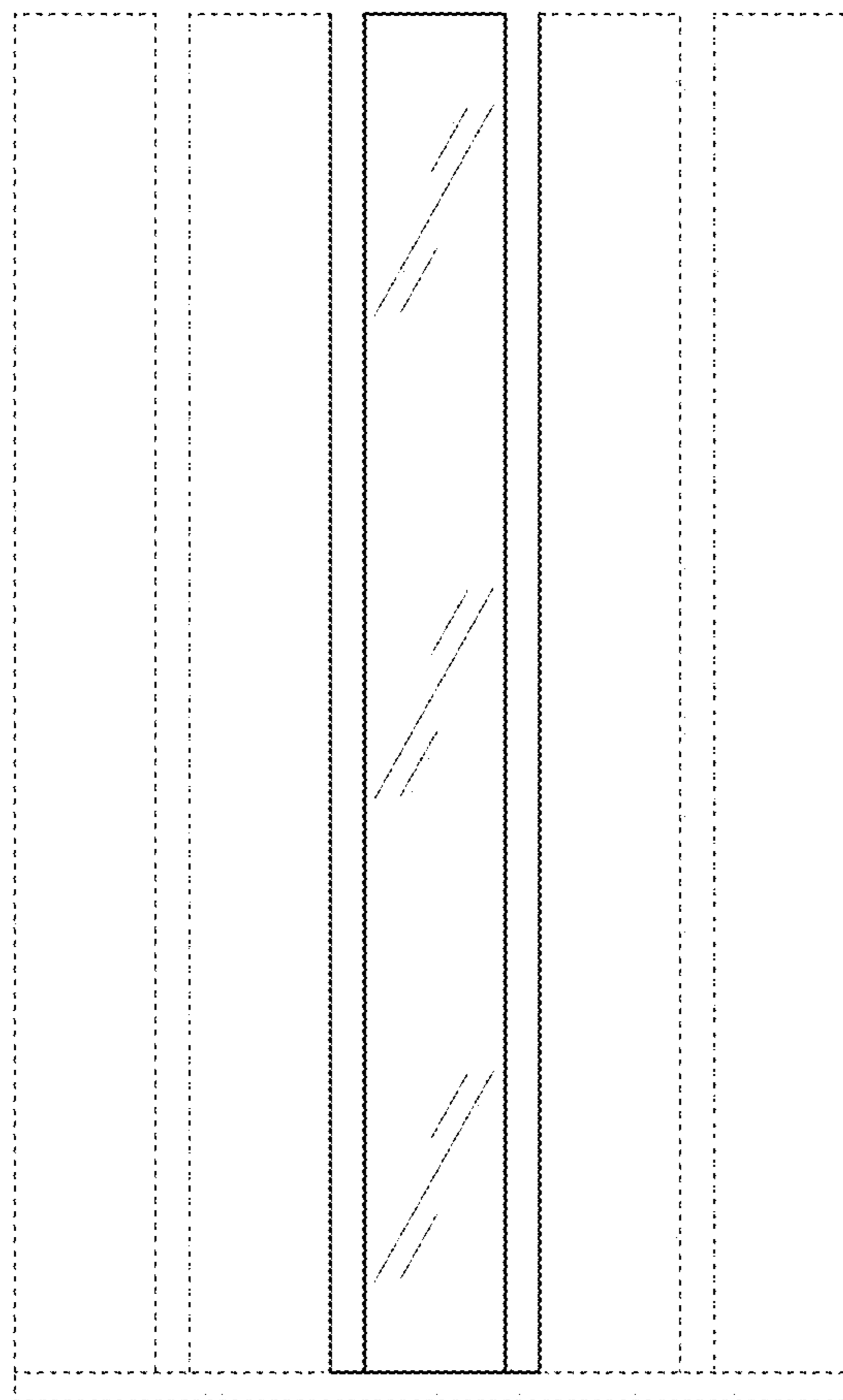


FIG. 5

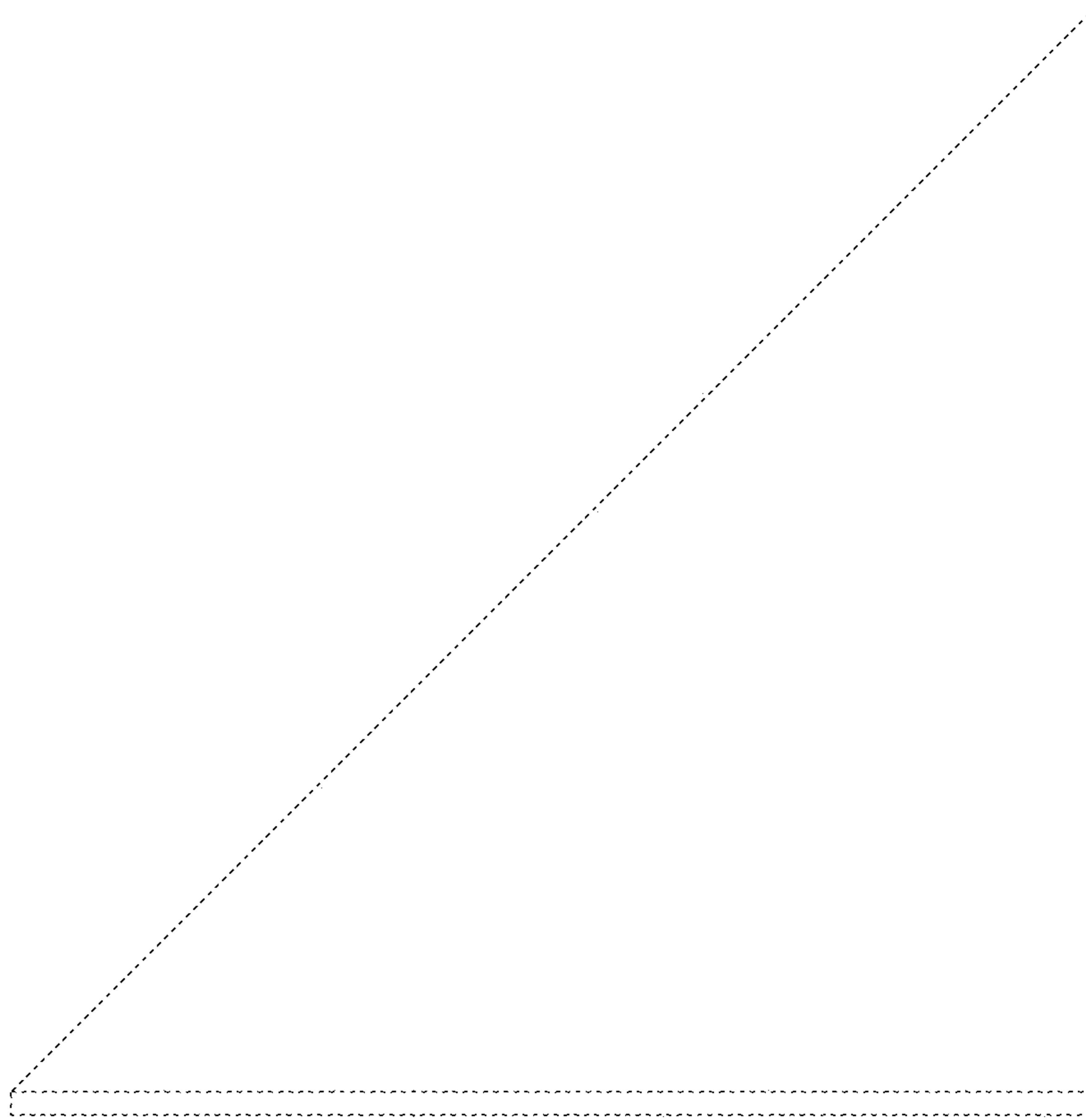


FIG. 6

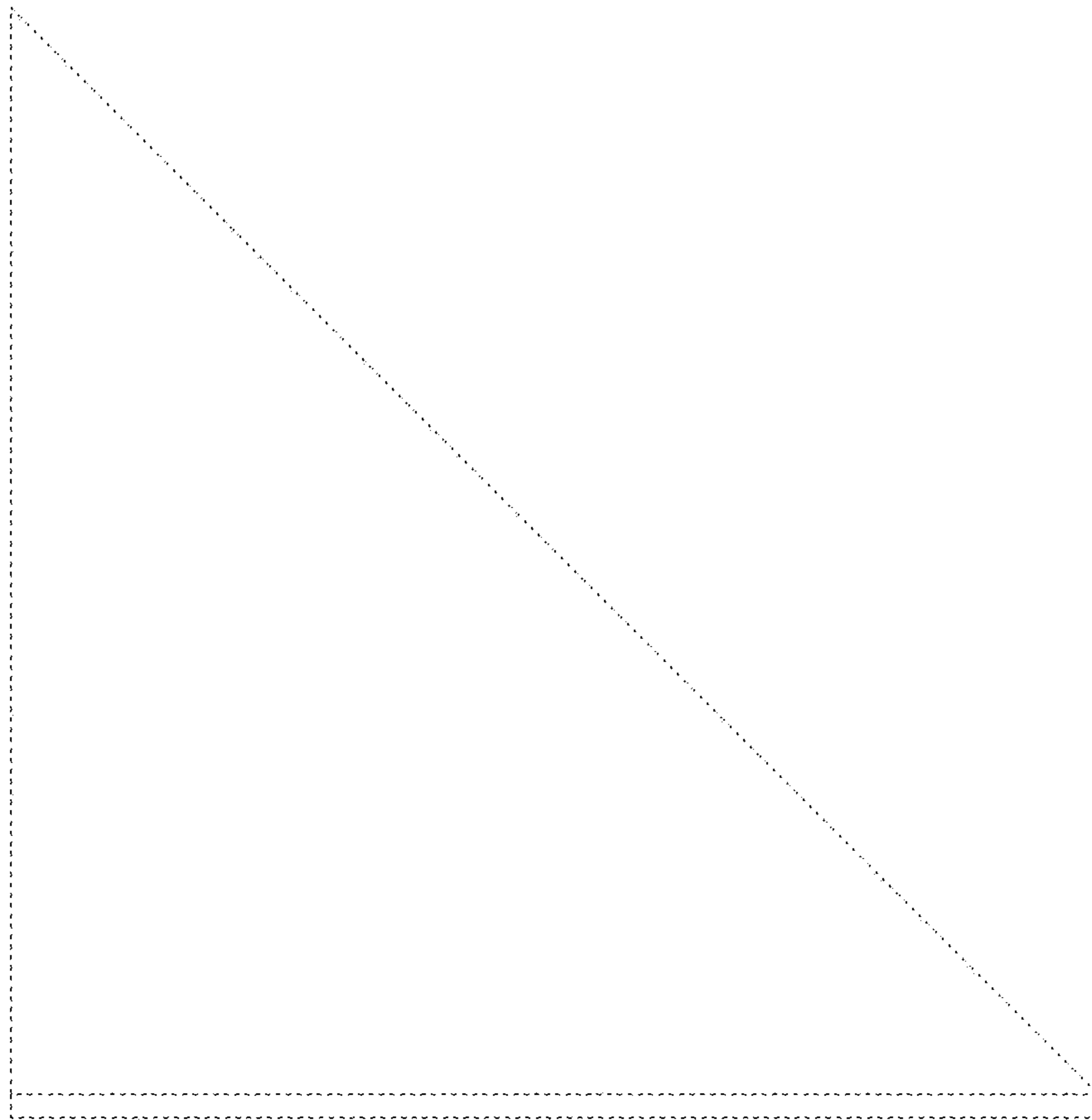


FIG. 7

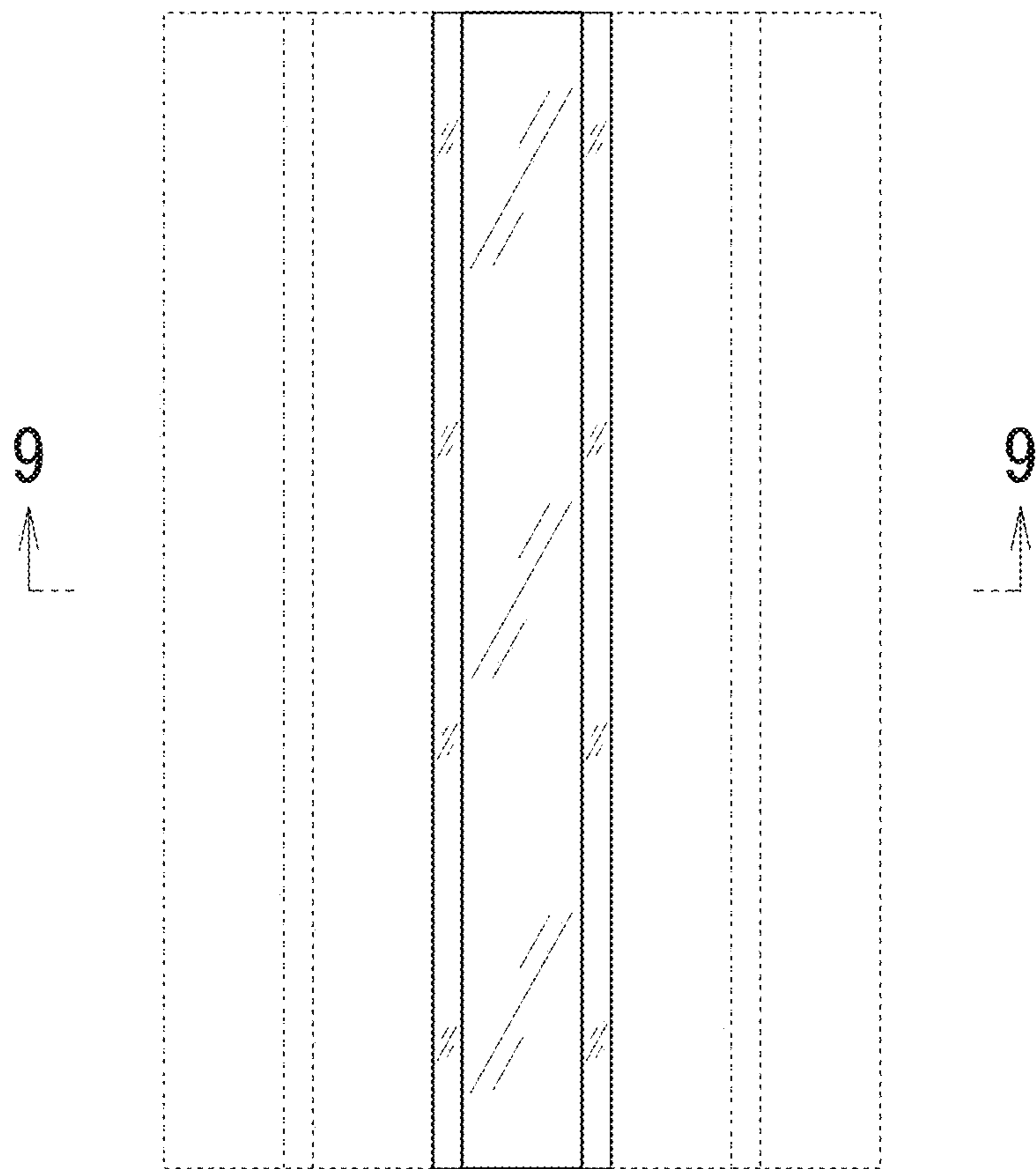


FIG. 8

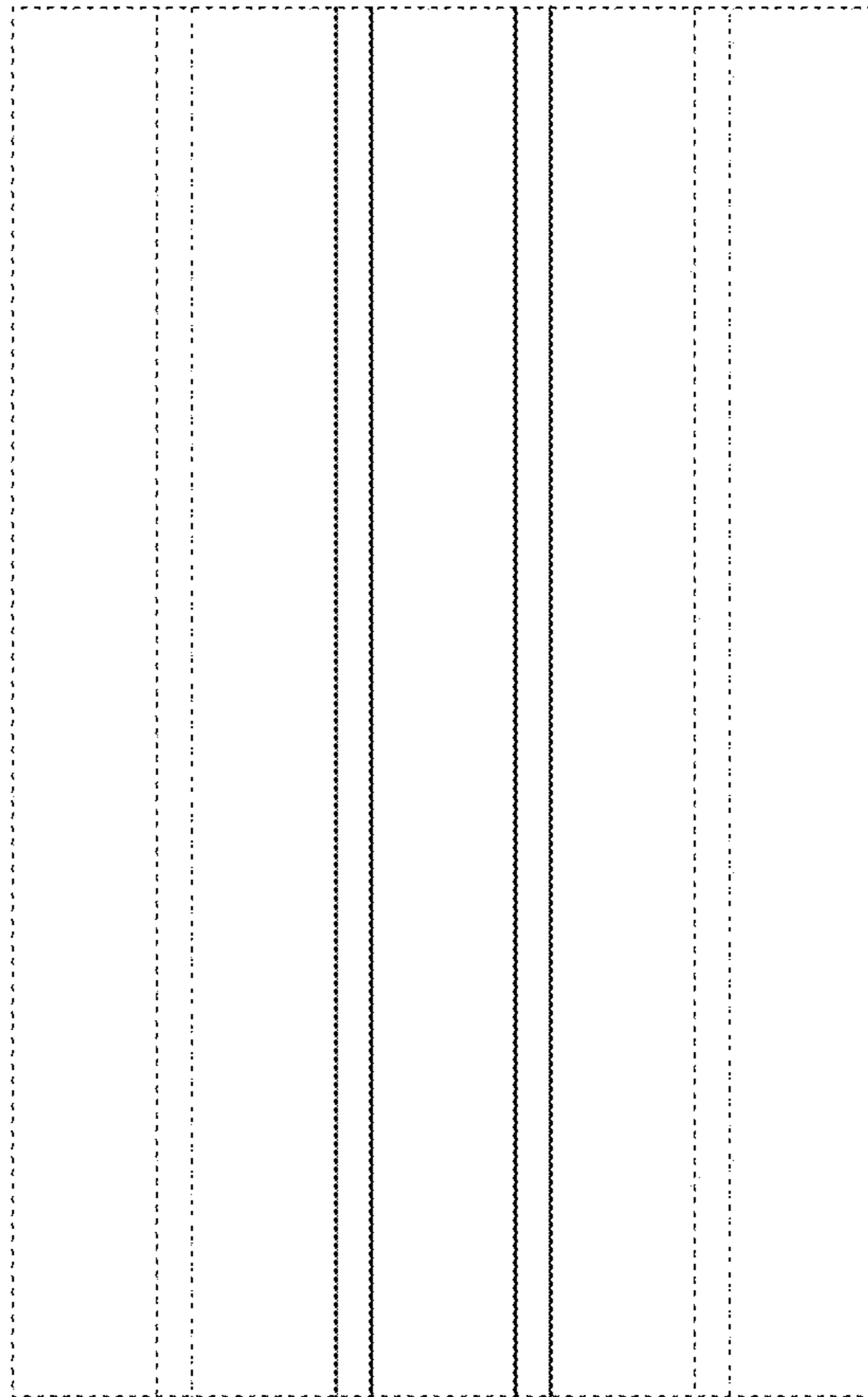


FIG. 9

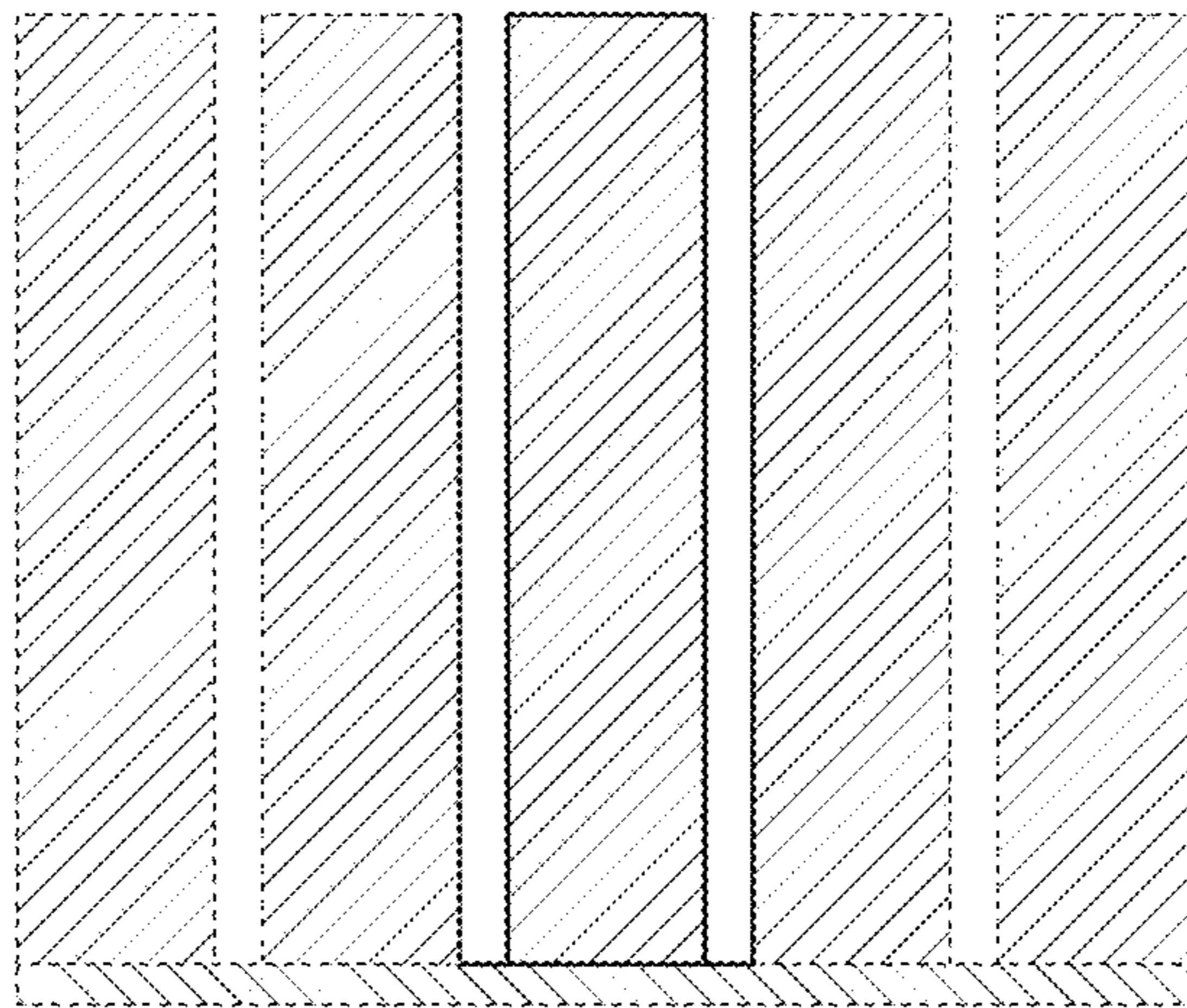


FIG. 10

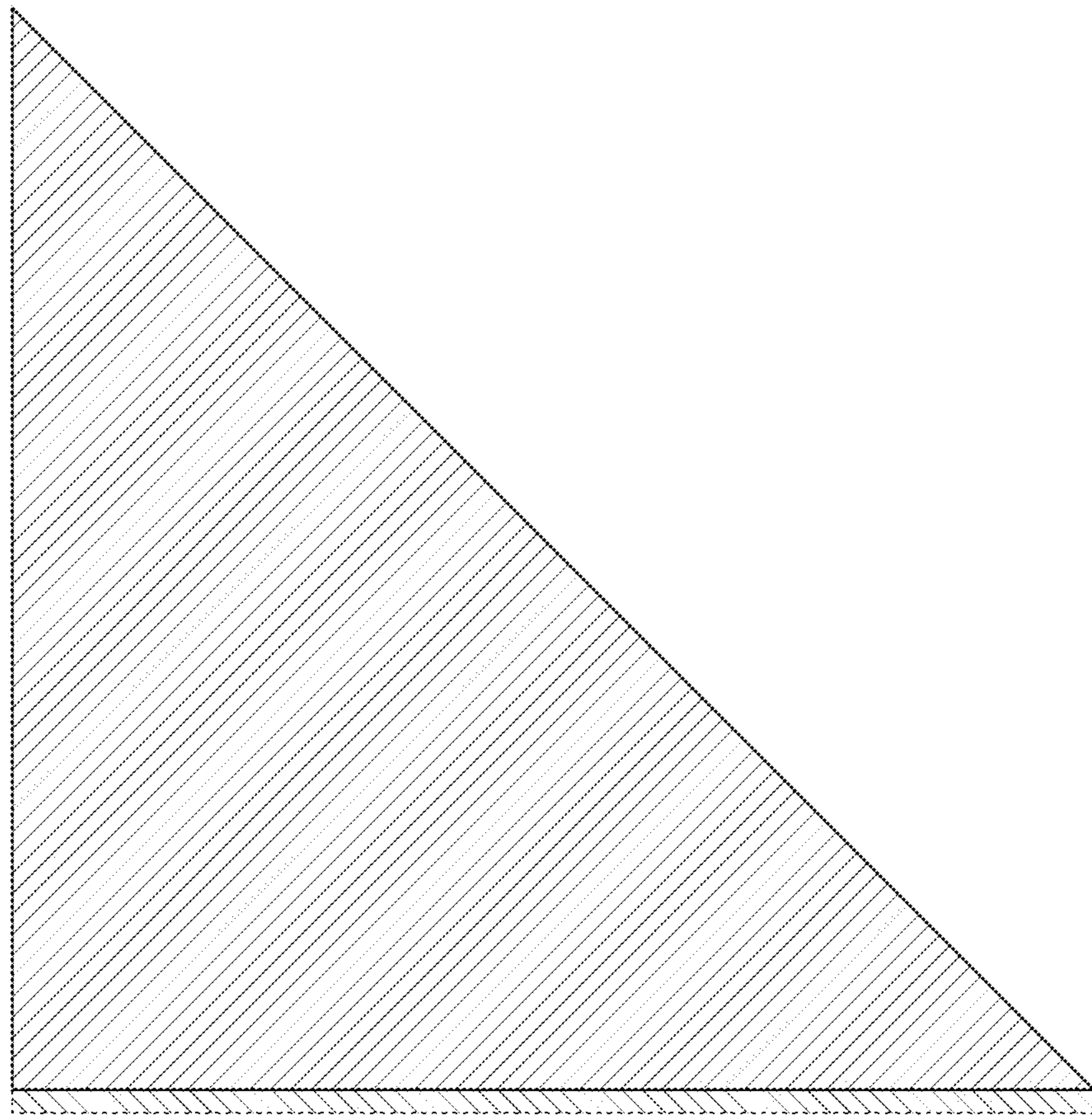


FIG. 11

