



US00D926851S

(12) **United States Design Patent** (10) **Patent No.:** **US D926,851 S**  
**Matuschek et al.** (45) **Date of Patent:** **\*\* Aug. 3, 2021**

(54) **SURGICAL MICROSCOPE**  
(71) Applicant: **Carl Zeiss Meditec AG**, Jena (DE)  
(72) Inventors: **Walter Matuschek**, Aalen (DE); **Xiao Han**, Shanghai (CN)  
(73) Assignee: **Carl Zeiss Meditec AG**, Jena (DE)  
(\*\*) Term: **15 Years**  
(21) Appl. No.: **29/668,921**

*Primary Examiner* — Holly E Thurman  
(74) *Attorney, Agent, or Firm* — Walter Ottesen, P.A.

(57) **CLAIM**

The ornamental design for a surgical microscope, as shown and described.

**DESCRIPTION**

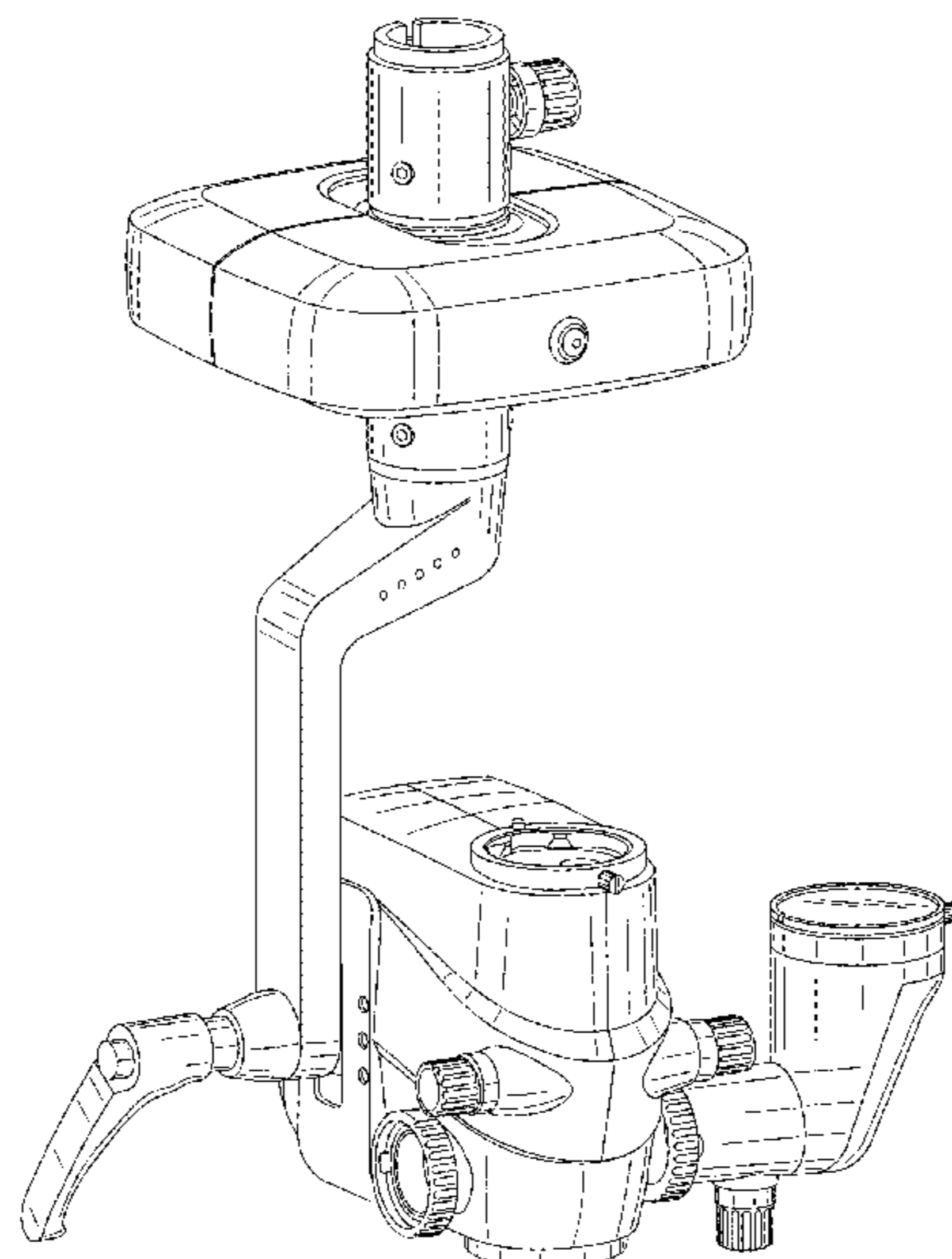
(22) Filed: **Nov. 2, 2018**  
**Related U.S. Application Data**  
(62) Division of application No. 29/511,568, filed on Dec. 11, 2014, now Pat. No. Des. 836,692.  
**Foreign Application Priority Data**  
Jun. 30, 2014 (CN) ..... 201430212271.4  
(51) **LOC (13) Cl.** ..... **16-06**  
(52) **U.S. Cl.**  
USPC ..... **D16/131**  
(58) **Field of Classification Search**  
USPC ..... D16/130–136; D24/107, 128, 137, 138, D24/185, 186, 232, 234  
CPC . G02B 21/004; G02B 21/008; G02B 21/0088  
See application file for complete search history.

FIG. 1 is a front elevation view of the surgical microscope of our new design;  
FIG. 2 is a rear elevation view of the surgical microscope of FIG. 1;  
FIG. 3 is a left side elevation view of the surgical microscope of FIG. 1;  
FIG. 4 is a right side elevation view of the surgical microscope of FIG. 1;  
FIG. 5 is a top plan view of the surgical microscope of FIG. 1;  
FIG. 6 is a bottom plan view of the surgical microscope of FIG. 1;  
FIG. 7 is a perspective view of the surgical microscope of FIG. 1;  
FIG. 8 is a front elevation view of a second embodiment of the surgical microscope of our new design;  
FIG. 9 is a rear elevation view of the surgical microscope of FIG. 8;  
FIG. 10 is a left side elevation view of the surgical microscope of FIG. 8;  
FIG. 11 is a right side elevation view of the surgical microscope of FIG. 8;  
FIG. 12 is a top plan view of the surgical microscope of FIG. 8;  
FIG. 13 is a bottom plan view of the surgical microscope of FIG. 8; and,  
FIG. 14 is a perspective view of the surgical microscope of FIG. 8.

(56) **References Cited**  
**U.S. PATENT DOCUMENTS**  
3,809,454 A 5/1974 Brambring  
4,241,891 A 12/1980 Rudolph  
5,052,789 A 10/1991 Kleinberg  
5,074,651 A 12/1991 Nagamine  
(Continued)

**OTHER PUBLICATIONS**  
“OPMI VISU 200 BrightFlex Surgical Microscope—Instructions for use”, G-30-1439-en, Issue 3.0, Carl Zeiss Surgical Products Division, Oberkochen, Germany, Nov. 21, 2002, 20 pages.

**1 Claim, 14 Drawing Sheets**



(56)

**References Cited**

## U.S. PATENT DOCUMENTS

5,173,802	A	12/1992	Heller	
5,186,422	A	2/1993	Nakamura	
5,288,043	A	2/1994	Tigliev	
5,332,181	A	7/1994	Schweizer et al.	
D378,315	S	3/1997	Schwaegerle et al.	
5,667,186	A	9/1997	Luber et al.	
5,748,366	A	5/1998	Yasunaga et al.	
5,861,983	A	1/1999	Twisselman	
6,050,530	A	4/2000	Nakamura	
6,434,416	B1	8/2002	Mizoguchi et al.	
6,471,165	B2	10/2002	Twisselmann	
6,646,798	B2	11/2003	Schmidt et al.	
6,833,950	B2	12/2004	Schmidt	
6,899,307	B2	5/2005	Strauss et al.	
6,937,390	B2	8/2005	Akiyama et al.	
7,232,222	B2	6/2007	Kogawa et al.	
D623,210	S	9/2010	Matuschek et al.	
D634,344	S	3/2011	Nusser et al.	
D637,219	S	5/2011	Nusser et al.	
D649,992	S	12/2011	Nusser	
D650,405	S	12/2011	Nusser	
D666,653	S	9/2012	Nusser	
D674,424	S *	1/2013	Apotheloz .....	D16/131
8,520,302	B2 *	8/2013	Graber .....	A61B 90/50 359/384
D723,079	S *	2/2015	Nauli .....	D16/131
D743,036	S	11/2015	Boukhny et al.	
D746,893	S	1/2016	Dong	
D758,465	S	6/2016	Matuschek et al.	
D836,692	S *	12/2018	Matuschek .....	D16/131
D841,070	S *	2/2019	Matuschek .....	D16/131
10,877,235	B2 *	12/2020	Huang .....	F16M 11/2064

\* cited by examiner

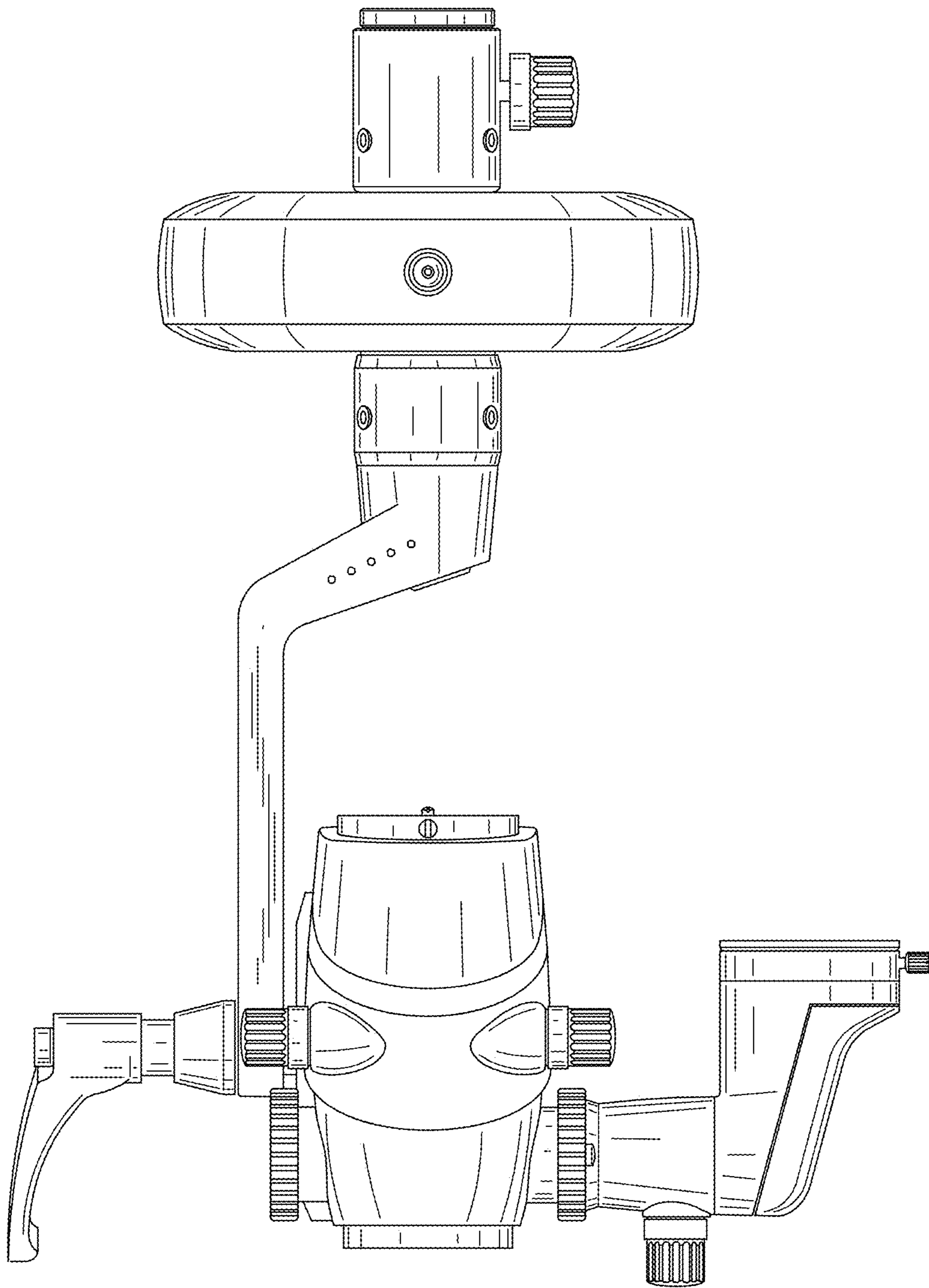


FIG. 1

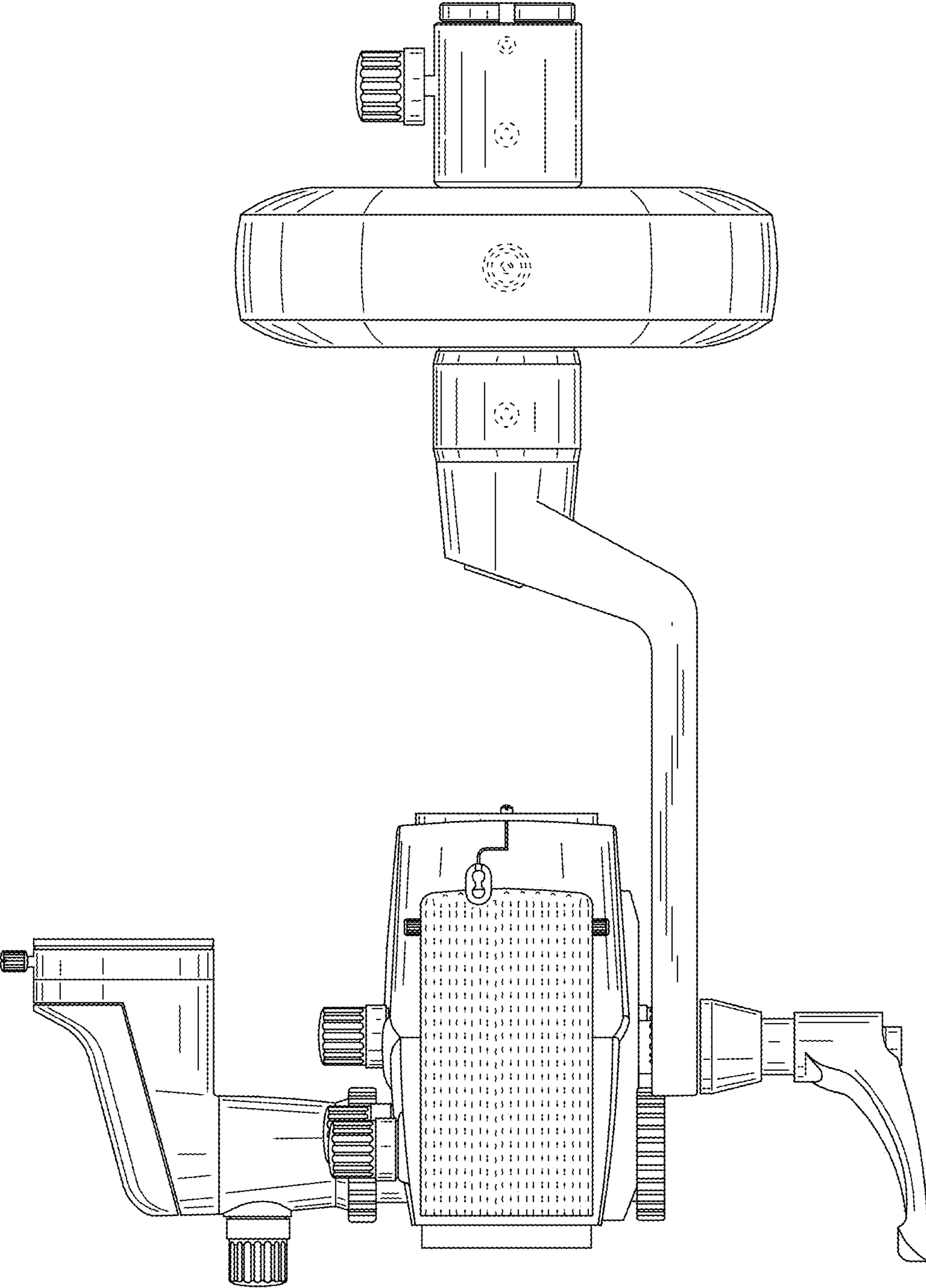


FIG. 2



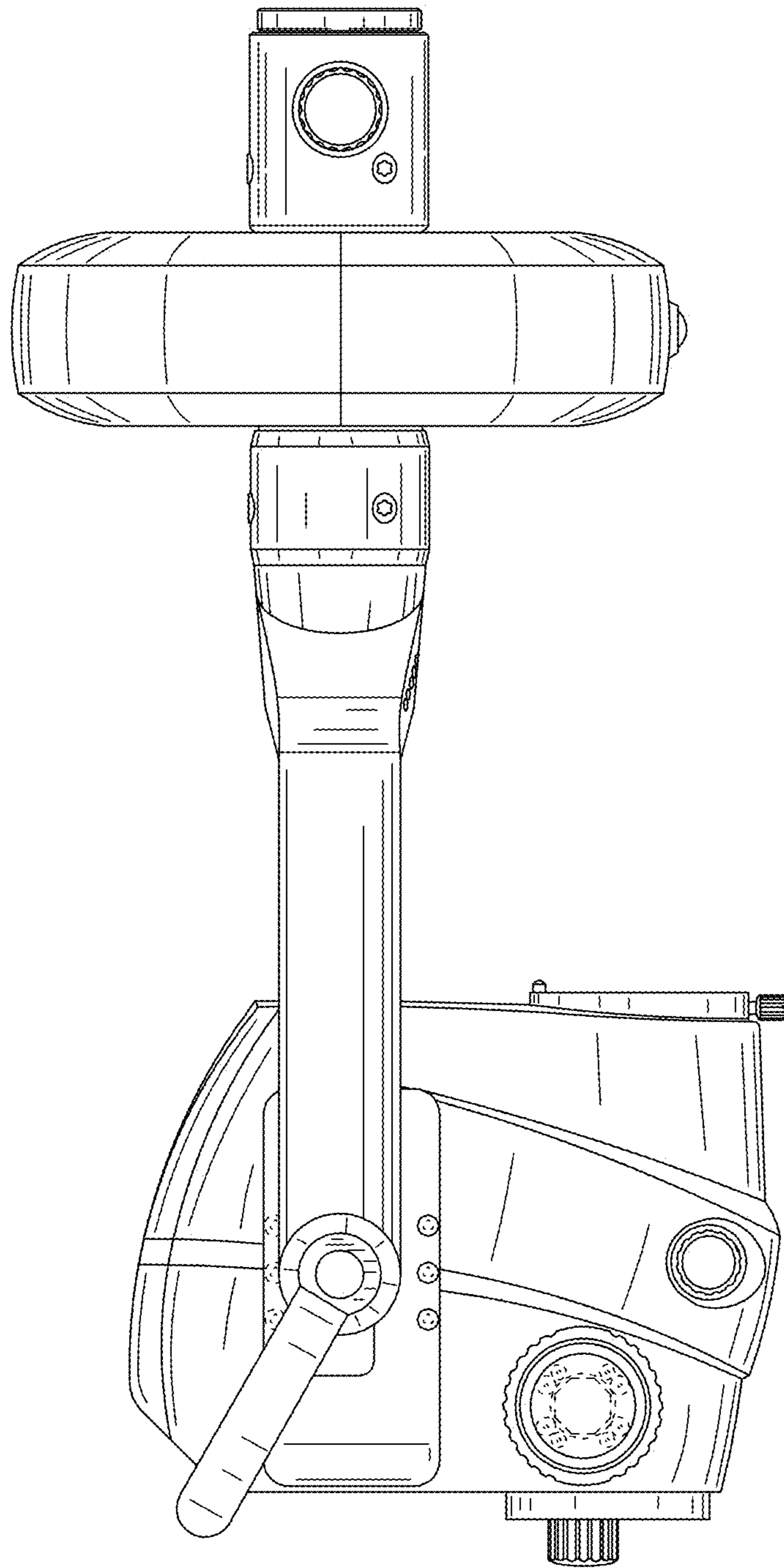


FIG. 3

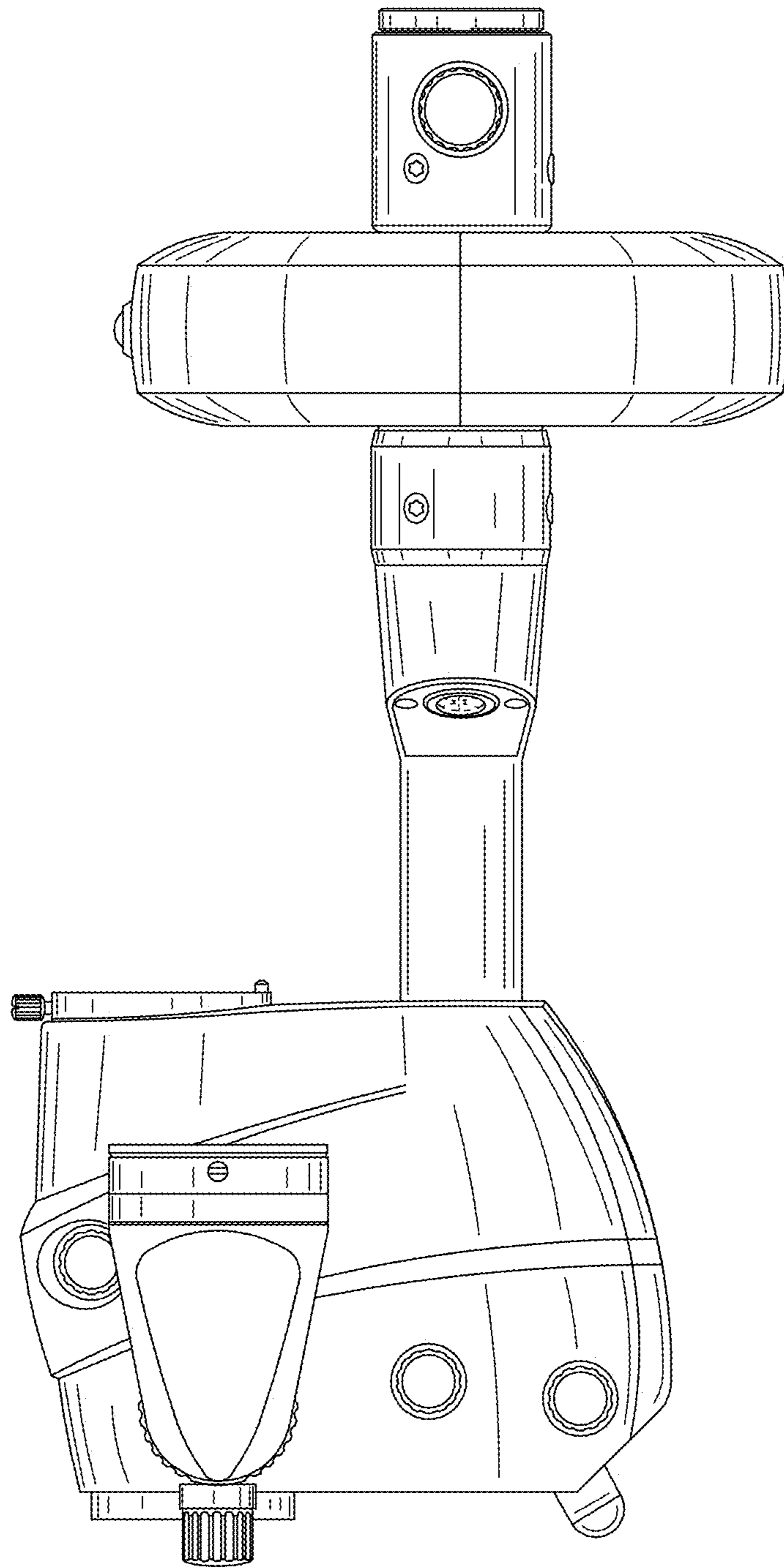


FIG. 4

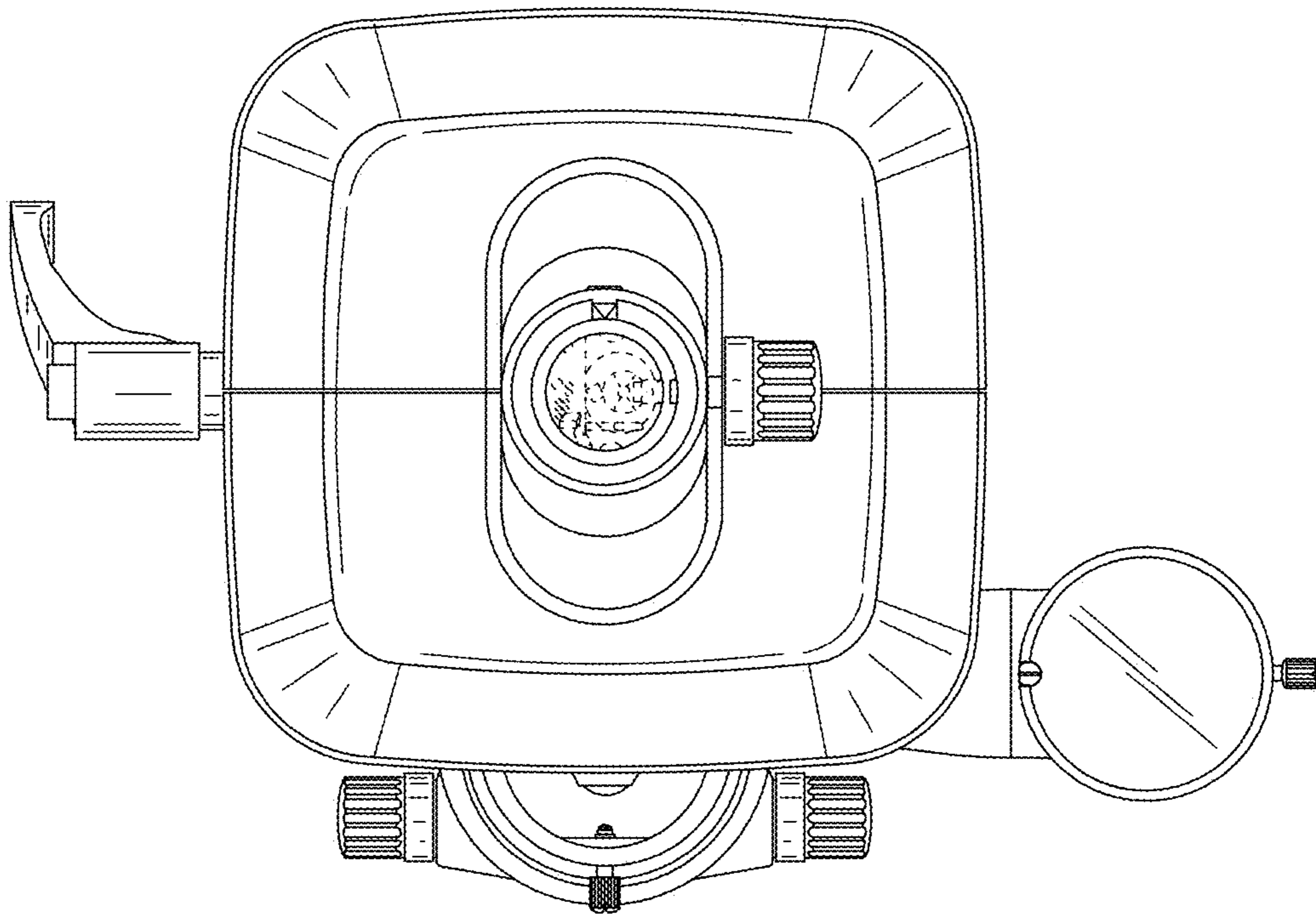


FIG. 5

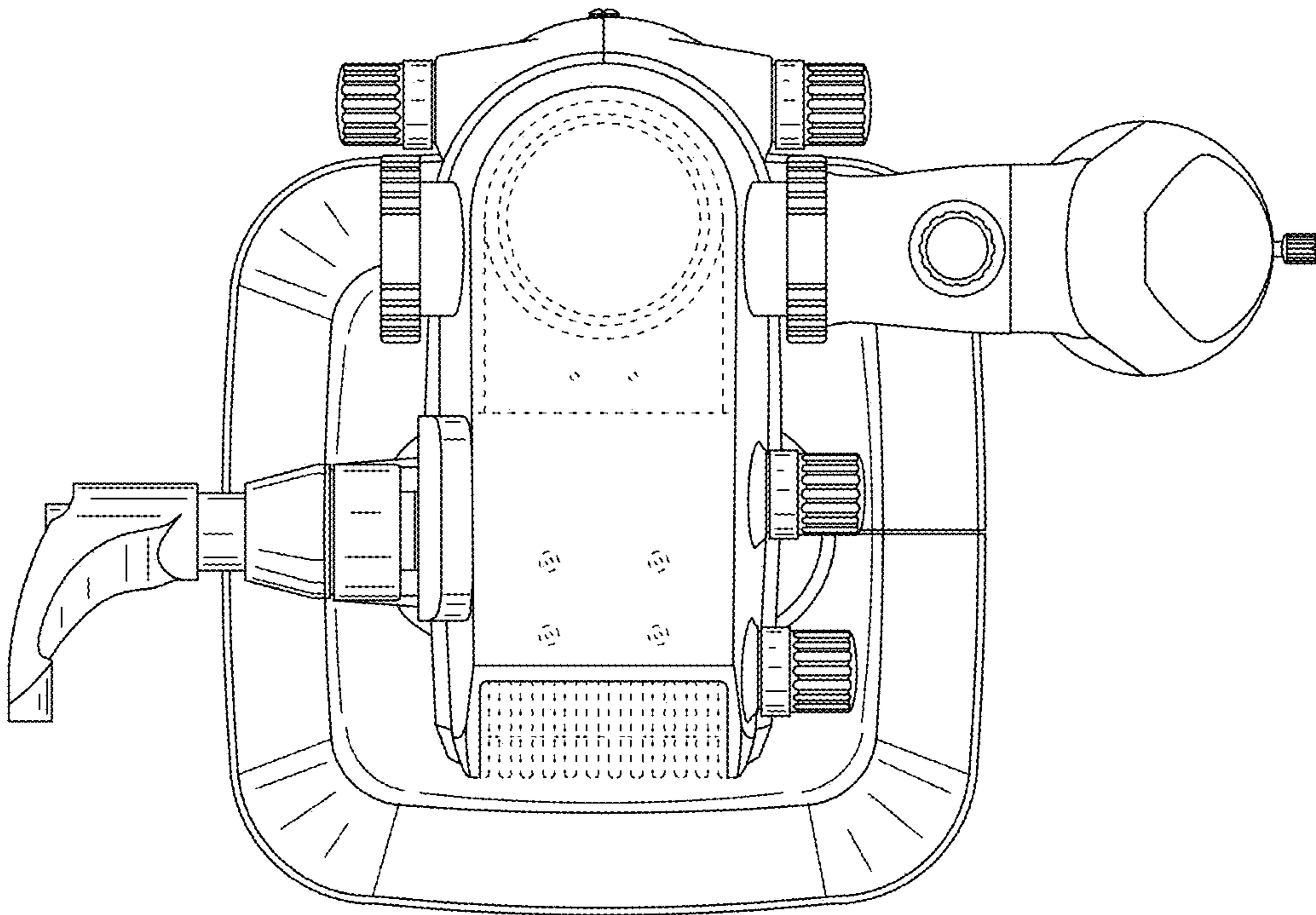


FIG. 6



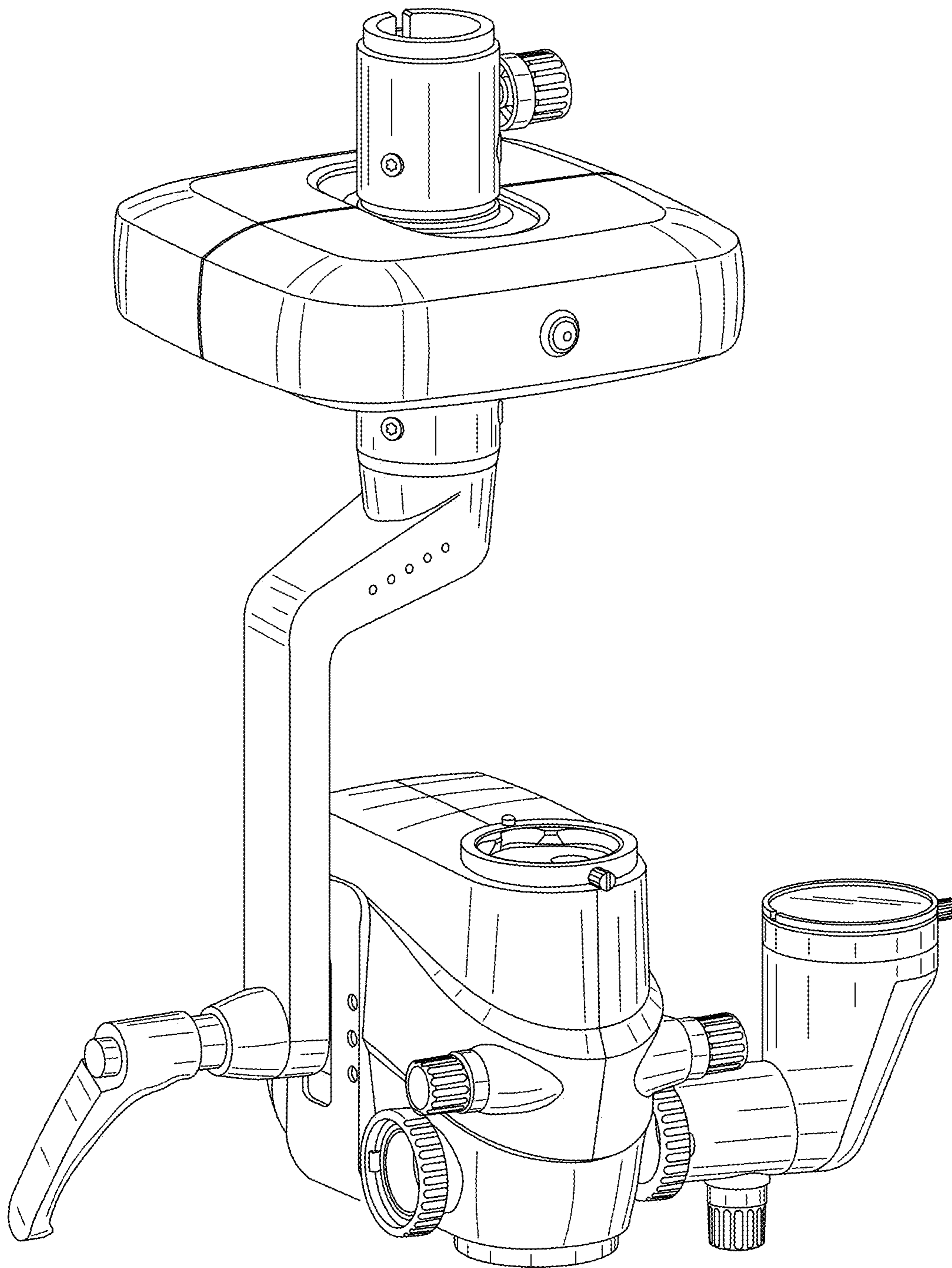


FIG. 7

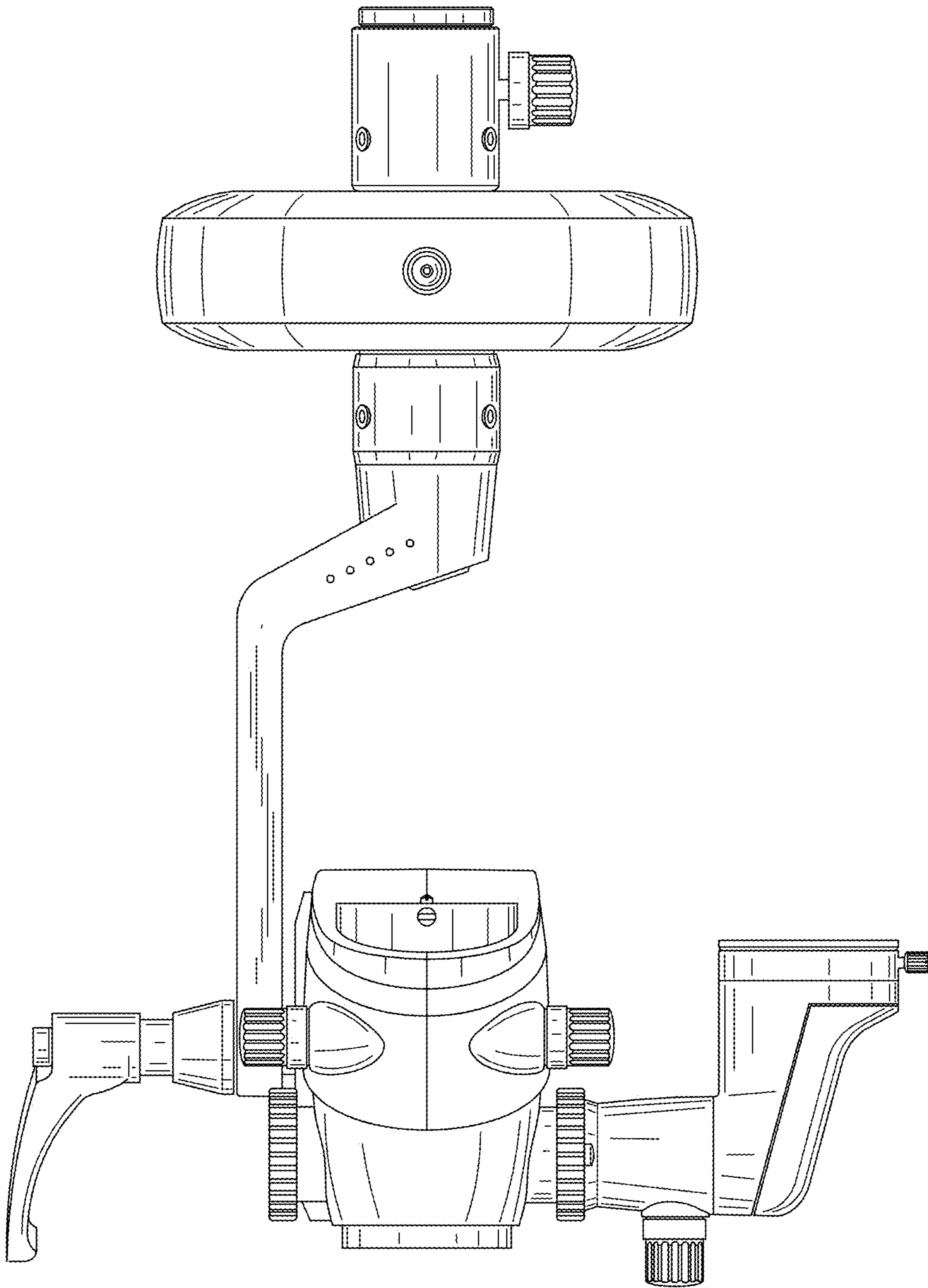


FIG. 8

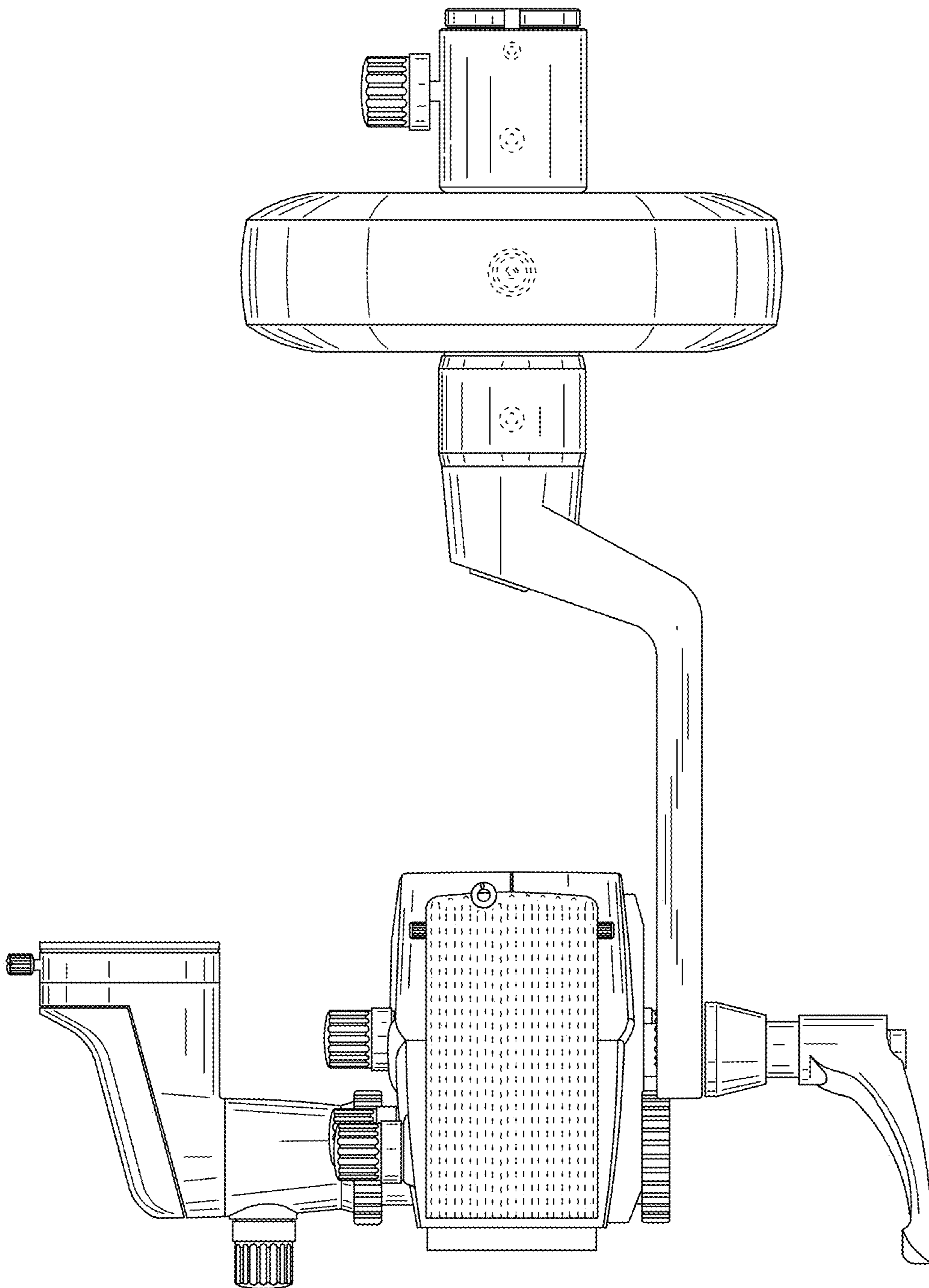


FIG. 9

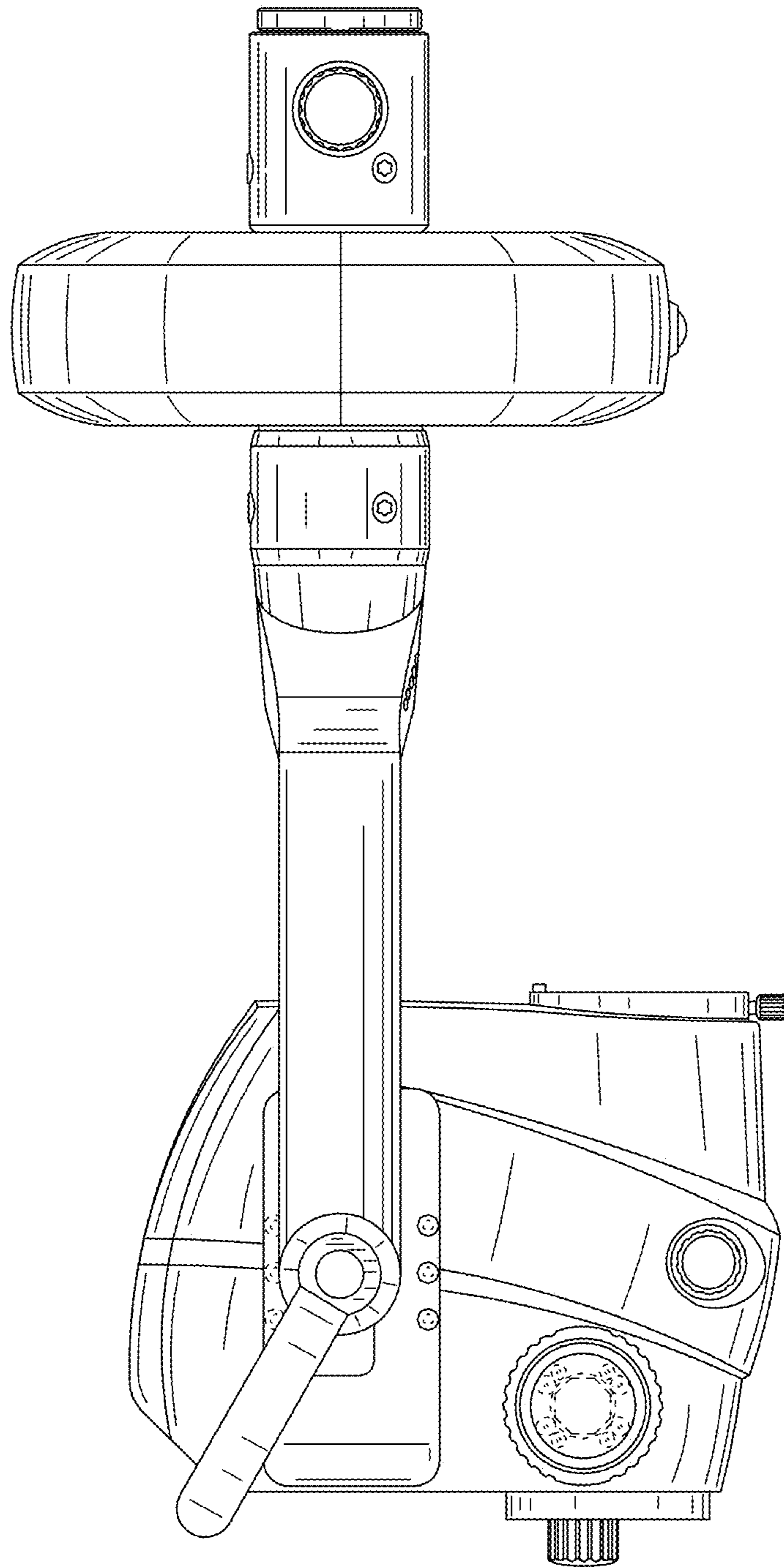


FIG. 10

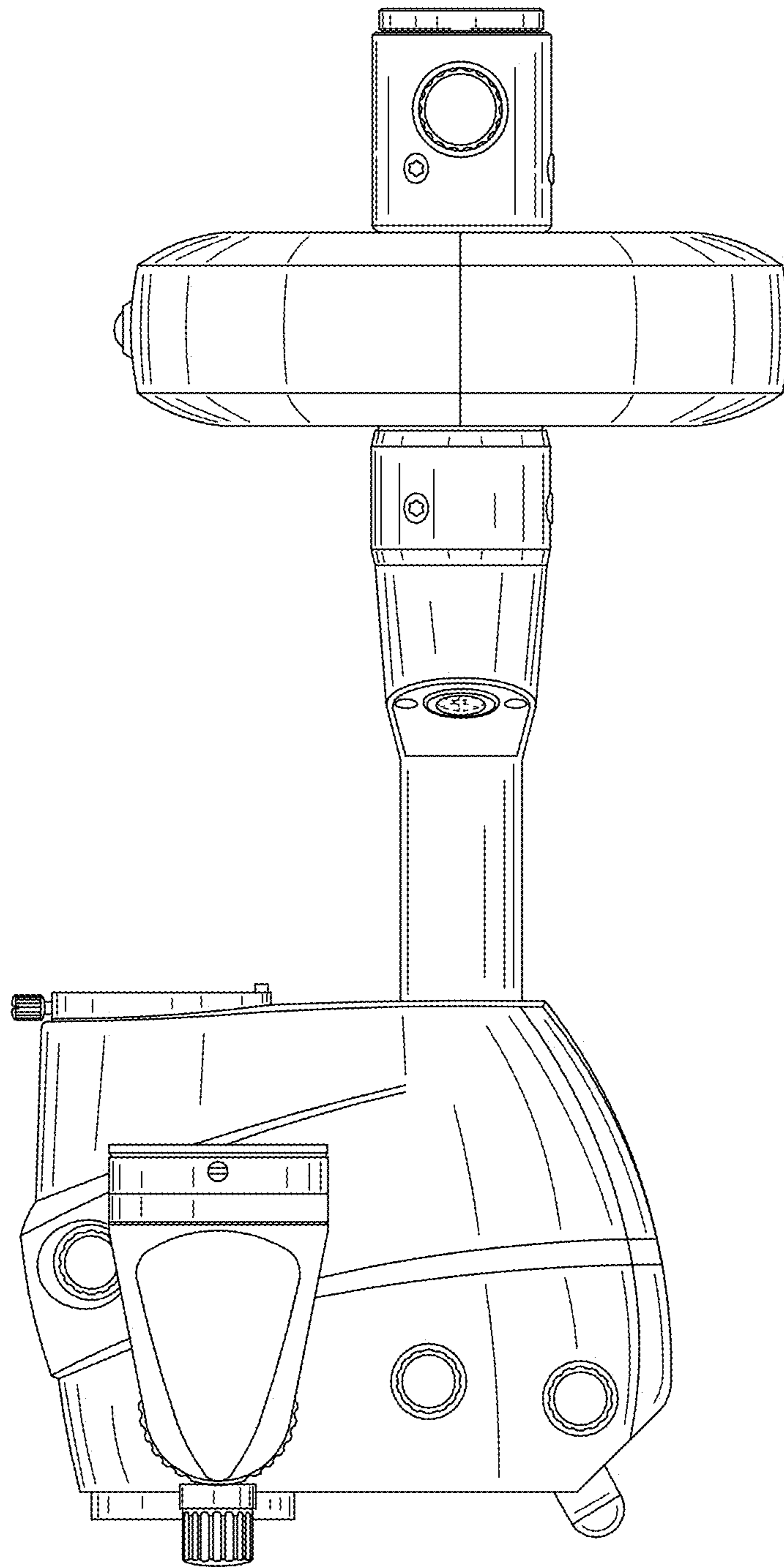


FIG. 11



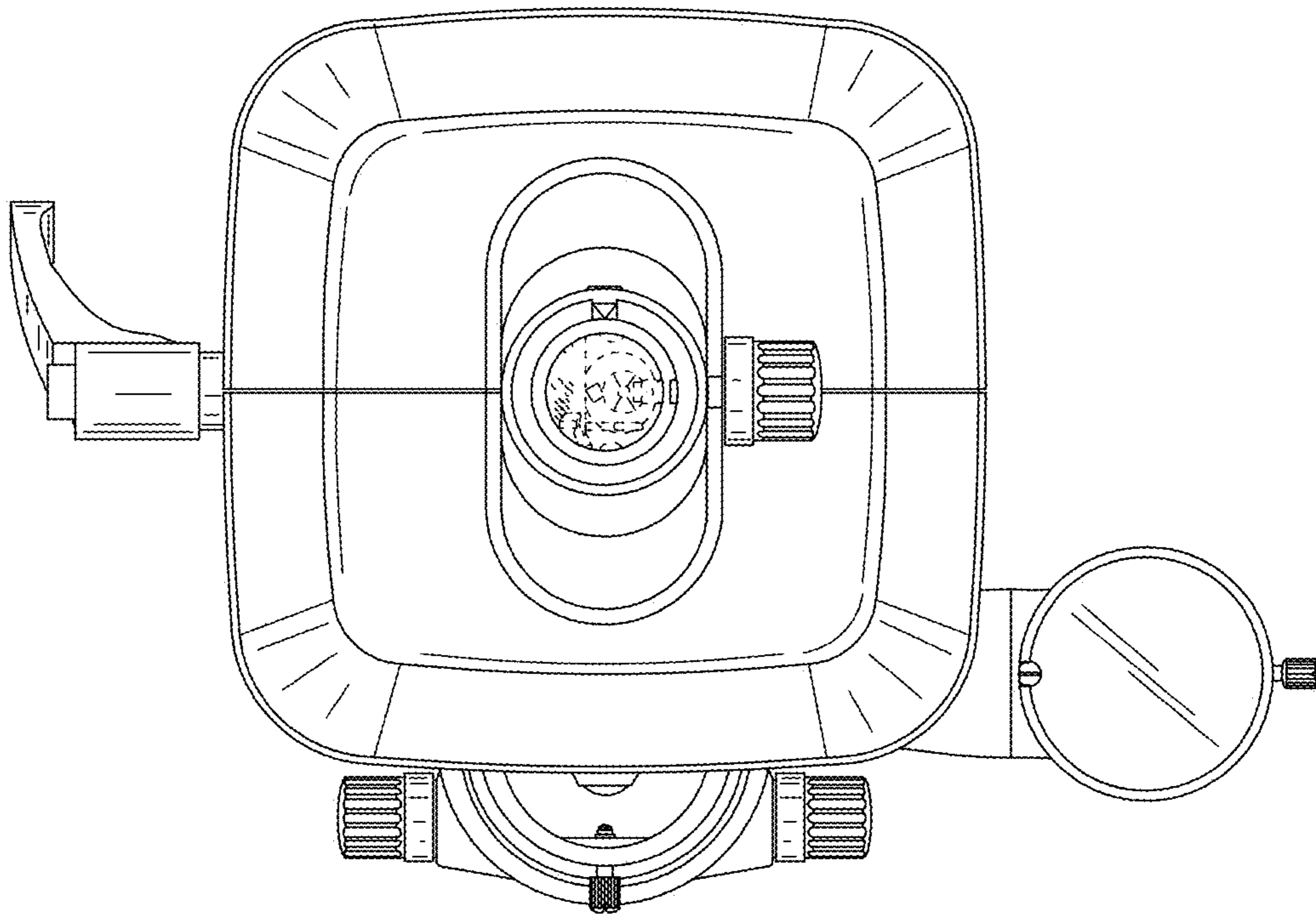


FIG. 12

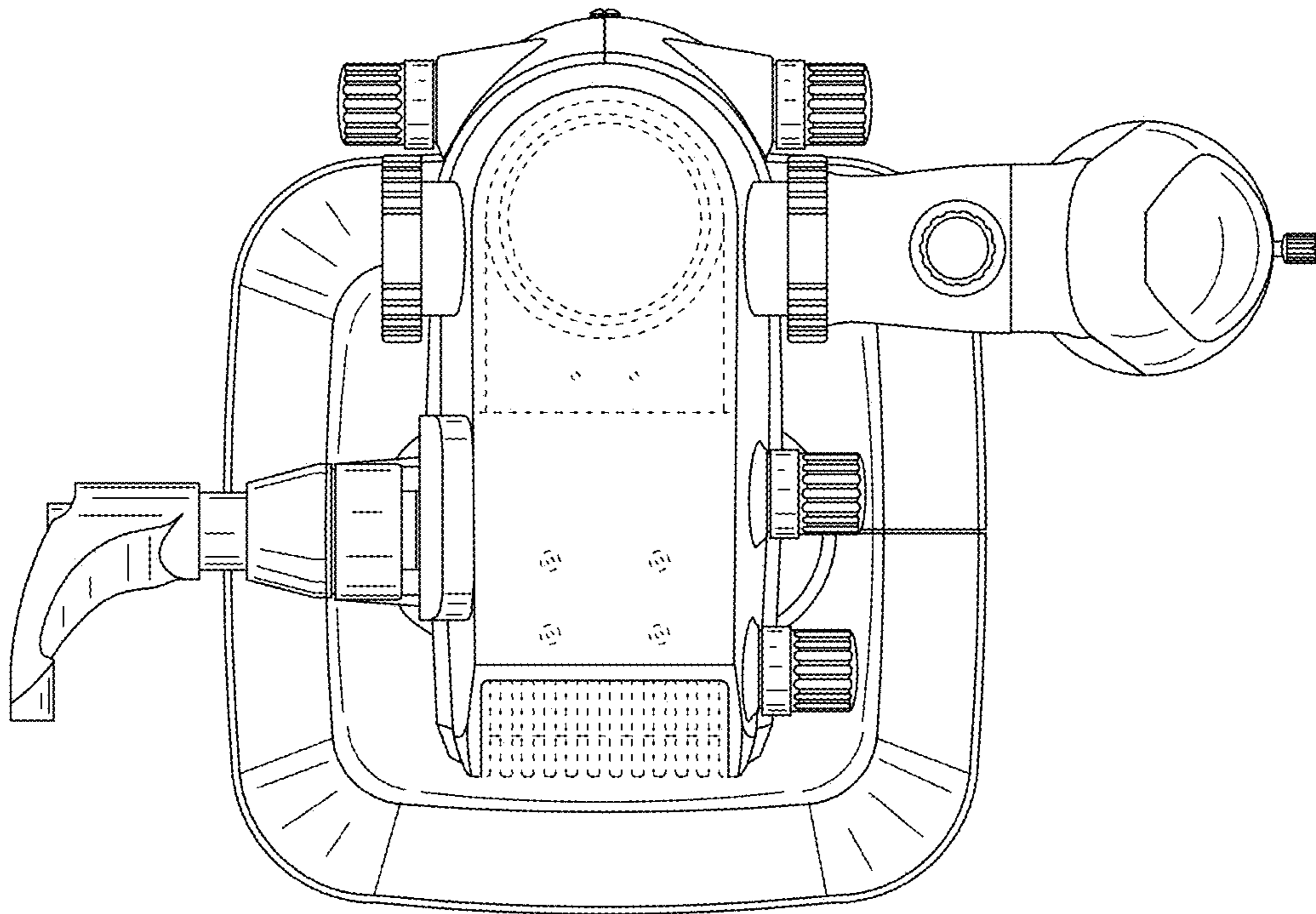


FIG. 13

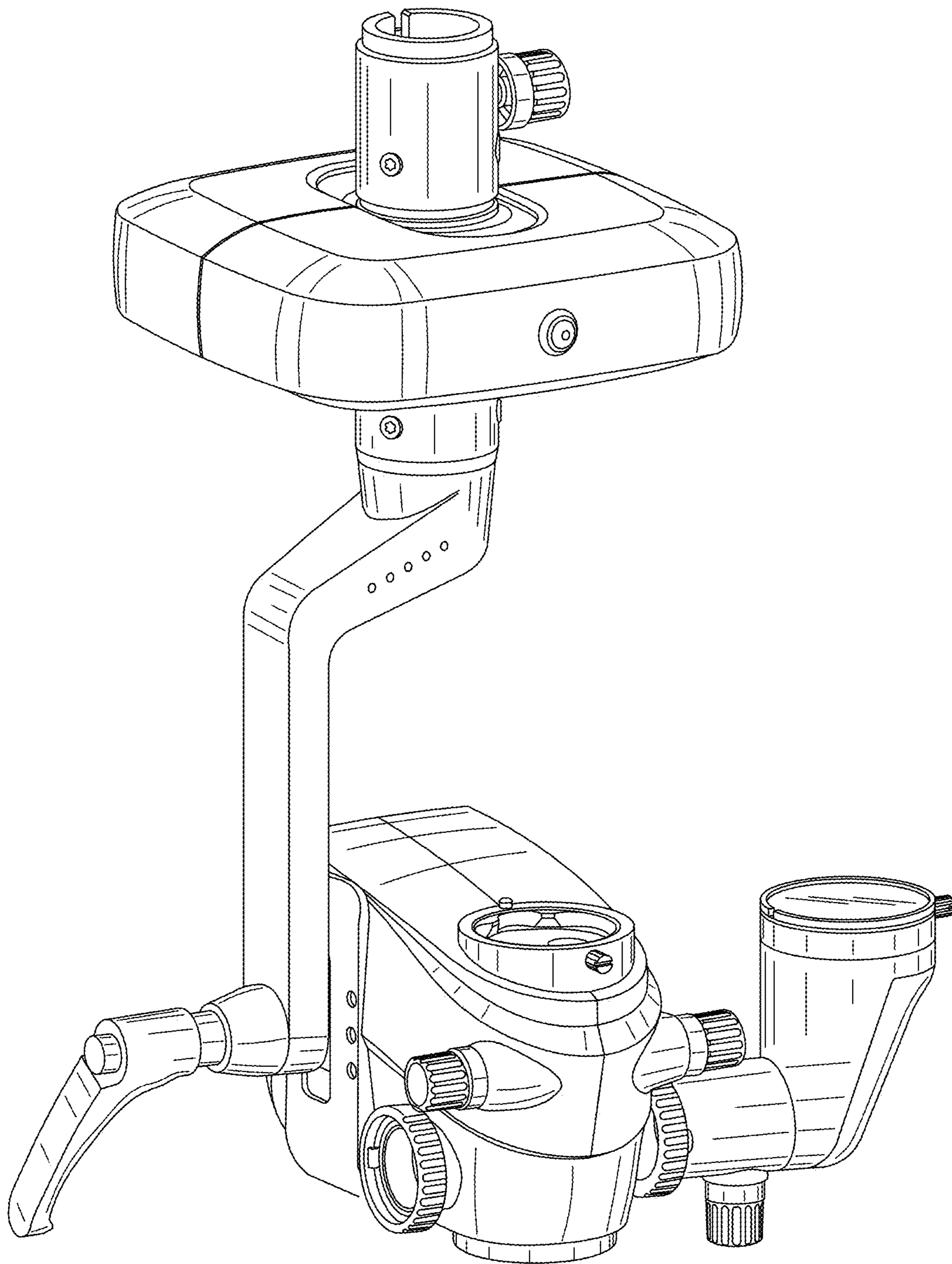


FIG. 14