



US00D926849S

(12) **United States Design Patent** (10) **Patent No.:** **US D926,849 S**  
**Eurich et al.** (45) **Date of Patent:** **\*\* Aug. 3, 2021**

(54) **VACUUM SEALER**

(71) Applicant: **Sunbeam Products, Inc.**, Boca Raton, FL (US)

(72) Inventors: **Sean T Eurich**, Portage, MI (US);  
**Christian S Leyden**, Portage, MI (US);  
**Marcel A Souza**, Kalamazoo (BR)

(73) Assignee: **Sunbeam Products, Inc.**, Boca Raton, FL (US)

(\*\*) Term: **15 Years**

(21) Appl. No.: **29/703,534**

(22) Filed: **Aug. 28, 2019**

(51) **LOC (13) Cl.** ..... **15-99**

(52) **U.S. Cl.**  
USPC ..... **D15/146**

(58) **Field of Classification Search**  
USPC ..... D15/134, 146; D18/50, 55; D14/125,  
D14/214–216, 422

CPC ..... B65B 31/00; B65B 31/02; B65B 31/024;  
B65B 31/048; B65B 51/10; B65B 51/14;  
B65B 51/146; B65B 41/12; B29C 65/30;  
B29C 66/8491

See application file for complete search history.

(56) **References Cited**

**U.S. PATENT DOCUMENTS**

- 5,048,269 A \* 9/1991 Deni ..... B29C 66/81427  
53/512
- D336,582 S \* 6/1993 Harrison ..... D6/522
- D364,059 S \* 11/1995 Merriweather, Jr. .... D6/518
- 5,660,313 A \* 8/1997 Newbold ..... A47K 10/32  
206/205
- 5,715,971 A \* 2/1998 Morand ..... A47K 10/3818  
221/45
- 5,772,291 A \* 6/1998 Byrd ..... A47K 10/36  
242/563.2

- D419,014 S \* 1/2000 Fluegge ..... D6/522
- D506,214 S \* 6/2005 Zepter ..... D15/146
- D515,601 S \* 2/2006 Sholzberg ..... D15/146
- D544,907 S \* 6/2007 Tjin Wong Joe ..... D18/55
- D597,572 S \* 8/2009 Tsai ..... D15/146
- D633,118 S \* 2/2011 Beatty ..... D15/146
- D658,694 S \* 5/2012 Day ..... D15/146
- D686,212 S \* 7/2013 Yamano ..... D14/422
- D694,793 S \* 12/2013 Cumming ..... D15/146
- D694,794 S \* 12/2013 Cumming ..... D15/146
- D763,334 S \* 8/2016 Yoshitomi ..... D15/146
- D777,248 S \* 1/2017 Oguchi ..... D18/50
- D788,199 S \* 5/2017 Owens ..... D15/146
- D789,431 S \* 6/2017 Owens ..... D15/146
- D820,905 S \* 6/2018 Wan ..... D18/50
- D823,913 S \* 7/2018 Chou ..... D15/146
- D847,226 S \* 4/2019 Owens ..... D15/134

(Continued)

**OTHER PUBLICATIONS**

Foodsaver, VS3182 Multi-Use Vacuum Sealing & Food Preservation System, (site visited Mar. 11, 2021), Foodsaver.com, URL: <<https://www.foodsaver.com/food-vacuum-sealers/countertop-vacuum-sealers/>> (Year: 2021).\*

(Continued)

*Primary Examiner* — Sheryl Lane  
*Assistant Examiner* — Mark T. Philipps

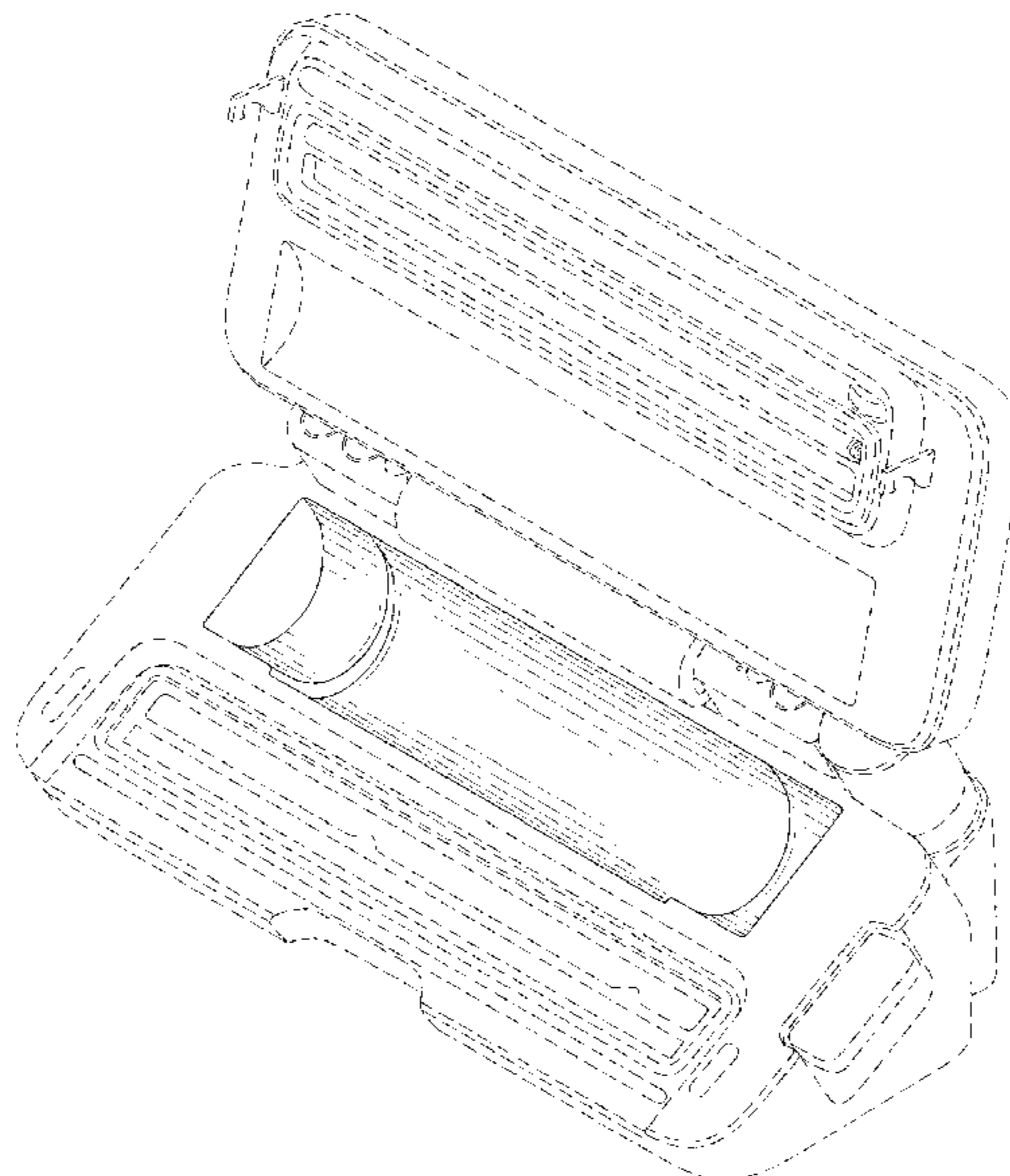
(57) **CLAIM**

The ornamental design for a vacuum sealer, as shown and described.

**DESCRIPTION**

FIG. 1 is a front perspective view of the vacuum sealer with the top in an open position; FIG. 2 is a front view thereof; and, FIG. 3 is a top view thereof. The broken lines depict portions of the vacuum sealer that form no part of the claimed design.

**1 Claim, 3 Drawing Sheets**



(56)

**References Cited**

U.S. PATENT DOCUMENTS

D854,065 S \* 7/2019 Owens ..... D15/146  
 D854,594 S \* 7/2019 Carey ..... D15/146  
 D871,470 S \* 12/2019 Xu ..... D15/146  
 D881,245 S \* 4/2020 Zheng ..... D15/146  
 D902,271 S \* 11/2020 Chen ..... D15/145  
 2002/0079344 A1\* 6/2002 Pitzen ..... B65H 35/0086  
 225/20  
 2005/0223682 A1\* 10/2005 Sung ..... B65B 31/046  
 53/512  
 2007/0199283 A1\* 8/2007 Sung ..... B65B 31/046  
 53/512  
 2009/0255221 A1\* 10/2009 Lyman, Jr. .... B65B 31/046  
 53/512  
 2012/0060447 A1\* 3/2012 Liu ..... B29C 65/224  
 53/434  
 2013/0232925 A1\* 9/2013 Huang ..... B65B 51/148  
 53/510  
 2014/0196405 A1\* 7/2014 Owens ..... B29C 66/91212  
 53/396

2016/0101885 A1\* 4/2016 Ledger ..... B29C 66/00145  
 53/110  
 2018/0079538 A1\* 3/2018 Hu ..... B65B 31/024  
 2018/0079544 A1\* 3/2018 Palese ..... B65B 7/02  
 2018/0370669 A1\* 12/2018 Xu ..... B29C 65/7891  
 2019/0009941 A1\* 1/2019 Schandel ..... B65B 61/26  
 2019/0055042 A1\* 2/2019 Leppert ..... B29C 65/224  
 2020/0299013 A1\* 9/2020 Ye ..... B29C 66/1122

OTHER PUBLICATIONS

Foodsaver, VS3150 Multi-Use Vacuum Sealing & Food Preservation, (first available Jul. 1, 2020), Amazon.com, URL:<<https://www.amazon.com/FoodSaver-VS3150-Multi-Use-Preservation-Additional/dp/B0892M5VW4>> (Year: 2020).\*

Foodsaver, FM2435 Vacuum Sealer Machine with Bonus Handheld Sealer, (first available Jan. 6, 2016), Amazon.com, URL:<<https://www.amazon.com/FoodSaver-FM2435-Machine-Handheld-Certified/dp/B01C464ZCQ>> (Year: 2016).\*

\* cited by examiner

FIG. 1

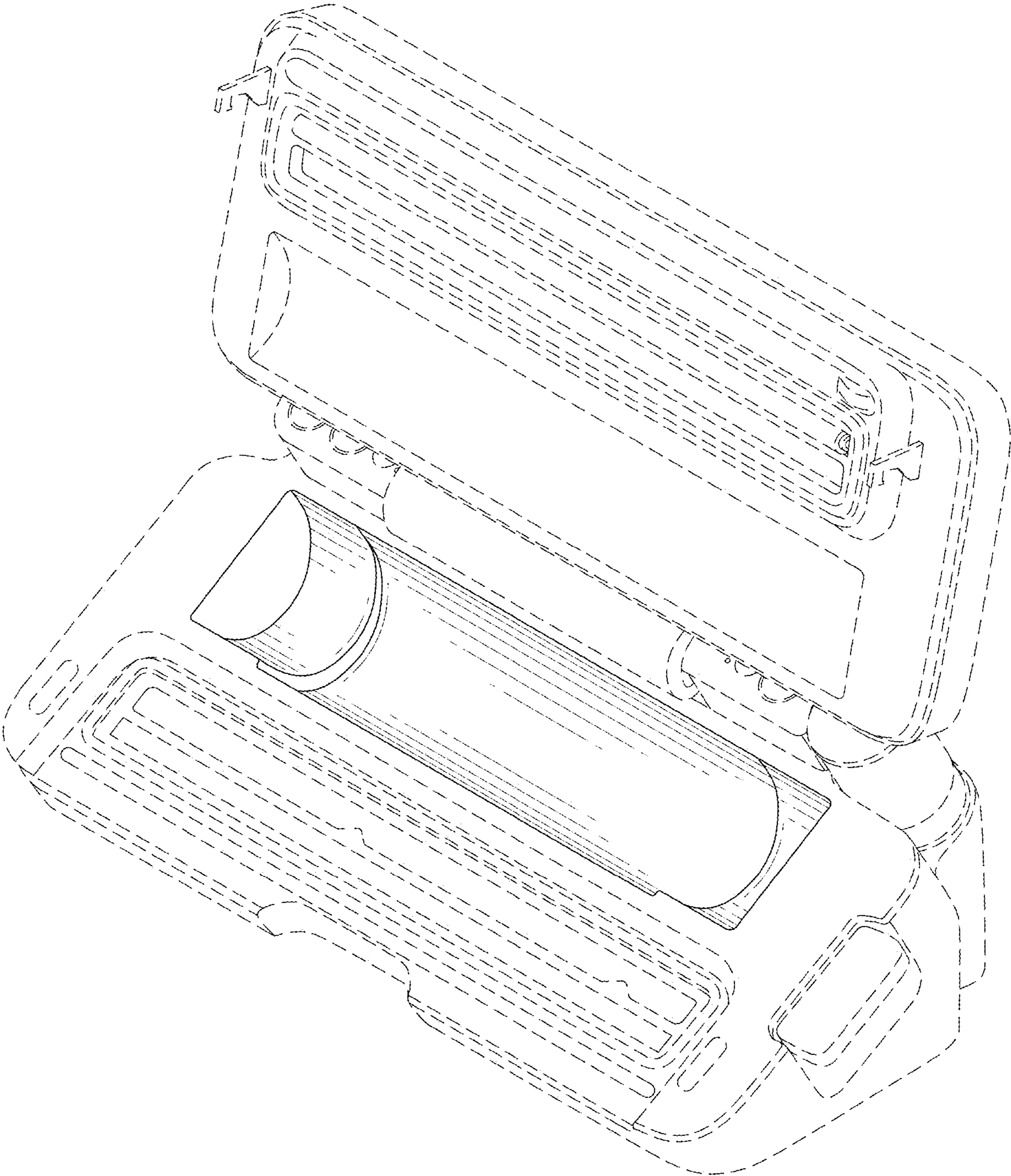


FIG. 2

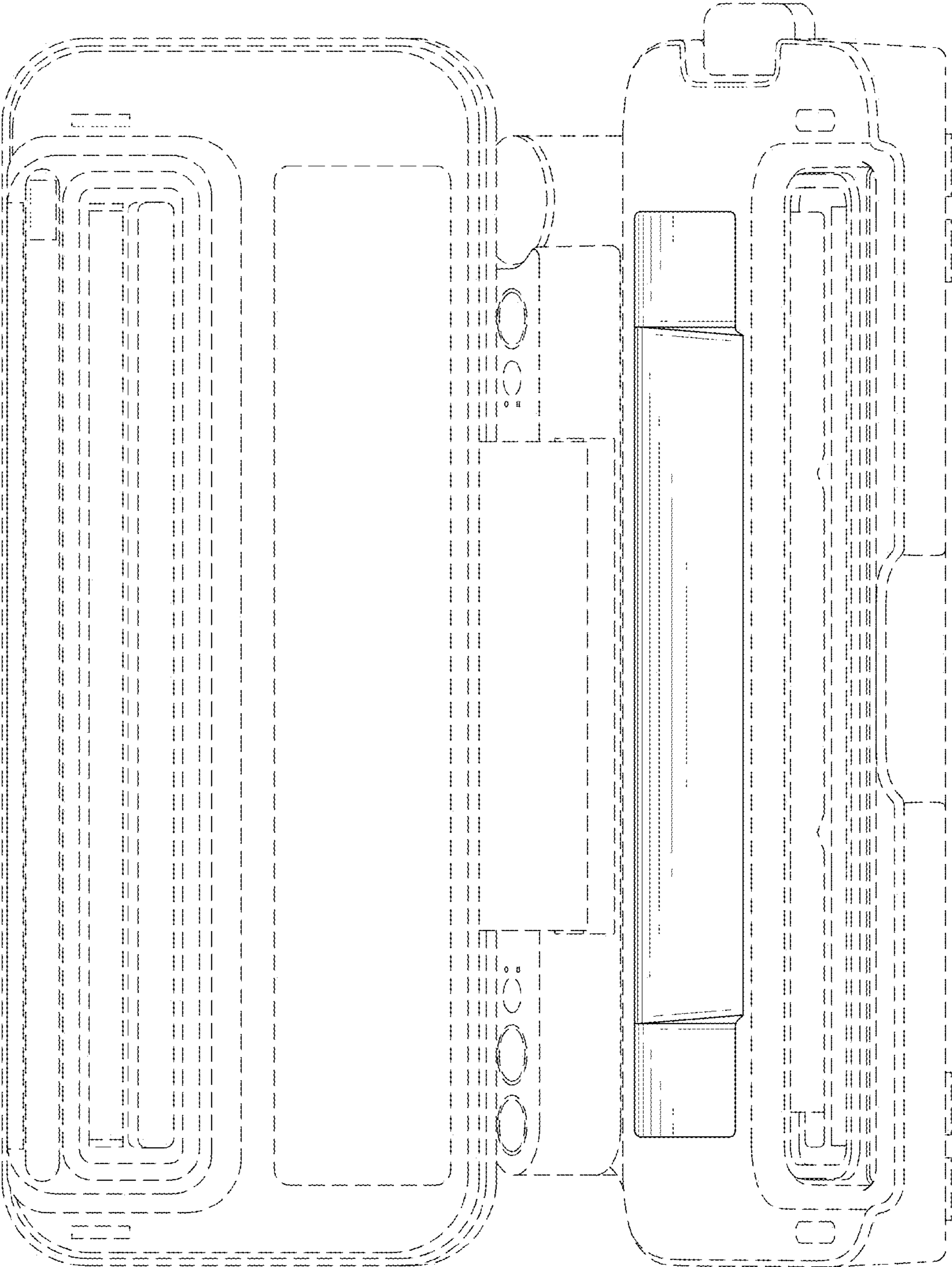


FIG. 3

